



US00D722015S

(12) **United States Design Patent**
Owens

(10) **Patent No.:** **US D722,015 S**
(45) **Date of Patent:** **** Feb. 3, 2015**

(54) **PRIMARY AND AUXILIARY SOLAR PANEL SWATCHES FOR CHARGING MOBILE DEVICES**

(57) **CLAIM**
The ornamental design for a primary and auxiliary solar panel swatches for charging mobile devices, as shown and described.

DESCRIPTION

(76) Inventor: **Michael Owens**, Lake Forest, CA (US)

FIG. 1 is a perspective view of the primary and auxiliary solar panel swatches for charging mobile devices;

(**) Term: **14 Years**

FIG. 2 is a perspective view of the primary and auxiliary solar panel swatches for charging mobile devices shown in environmental use;

(21) Appl. No.: **29/423,526**

FIG. 3 is a perspective view of the primary solar panel swatch of the primary and auxiliary solar panel swatches for charging mobile devices shown separated for ease of illustration;

(22) Filed: **Jun. 1, 2012**

FIG. 4 is a front elevation view of the primary solar panel swatch shown in FIG. 3;

(51) **LOC (10) Cl.** **13-02**

FIG. 5 is a rear elevation view of the primary solar panel swatch shown in FIG. 3;

(52) **U.S. Cl.**

USPC **D13/102**

FIG. 6 is a right side elevation view thereof;

(58) **Field of Classification Search**

USPC D13/102, 101, 103, 107, 108, 199;
136/206, 243, 244, 245, 252; 320/101,
320/102, 114, 115, 120; D14/432, 440

FIG. 7 is a left side elevation view thereof;

FIG. 8 is a top plan view thereof;

FIG. 9 is a bottom plan view thereof;

See application file for complete search history.

FIG. 10 is a perspective view of the auxiliary solar panel swatch of the primary and auxiliary solar panel swatches for charging mobile devices shown separated for ease of illustration;

(56) **References Cited**

U.S. PATENT DOCUMENTS

5,522,943	A *	6/1996	Spencer et al.	136/245
6,476,311	B1 *	11/2002	Lee et al.	136/244
6,650,085	B2 *	11/2003	Lau et al.	320/101
6,784,359	B2 *	8/2004	Clark et al.	136/245
D510,316	S *	10/2005	Hayakawa	D13/102
D581,865	S *	12/2008	Koza	D13/102
D617,265	S *	6/2010	Sasada et al.	D13/102
D625,251	S *	10/2010	Workman et al.	D13/102

FIG. 11 is a front elevation view of the auxiliary solar panel swatch of FIG. 10;

FIG. 12 is a rear elevation view of the auxiliary solar panel swatch of FIG. 10;

FIG. 13 is a right side elevation view thereof;

FIG. 14 is a left side elevation view thereof;

FIG. 15 is a top plan view thereof;

FIG. 16 is a bottom plan view thereof;

FIG. 17 is a second perspective view of the primary solar panel swatch of the primary and auxiliary solar panel swatches for charging mobile devices; and,

FIG. 18 is a perspective view of the auxiliary solar panel swatch of the primary and auxiliary solar panel swatches for charging mobile devices wherein the auxiliary solar panel swatch is in a folded condition.

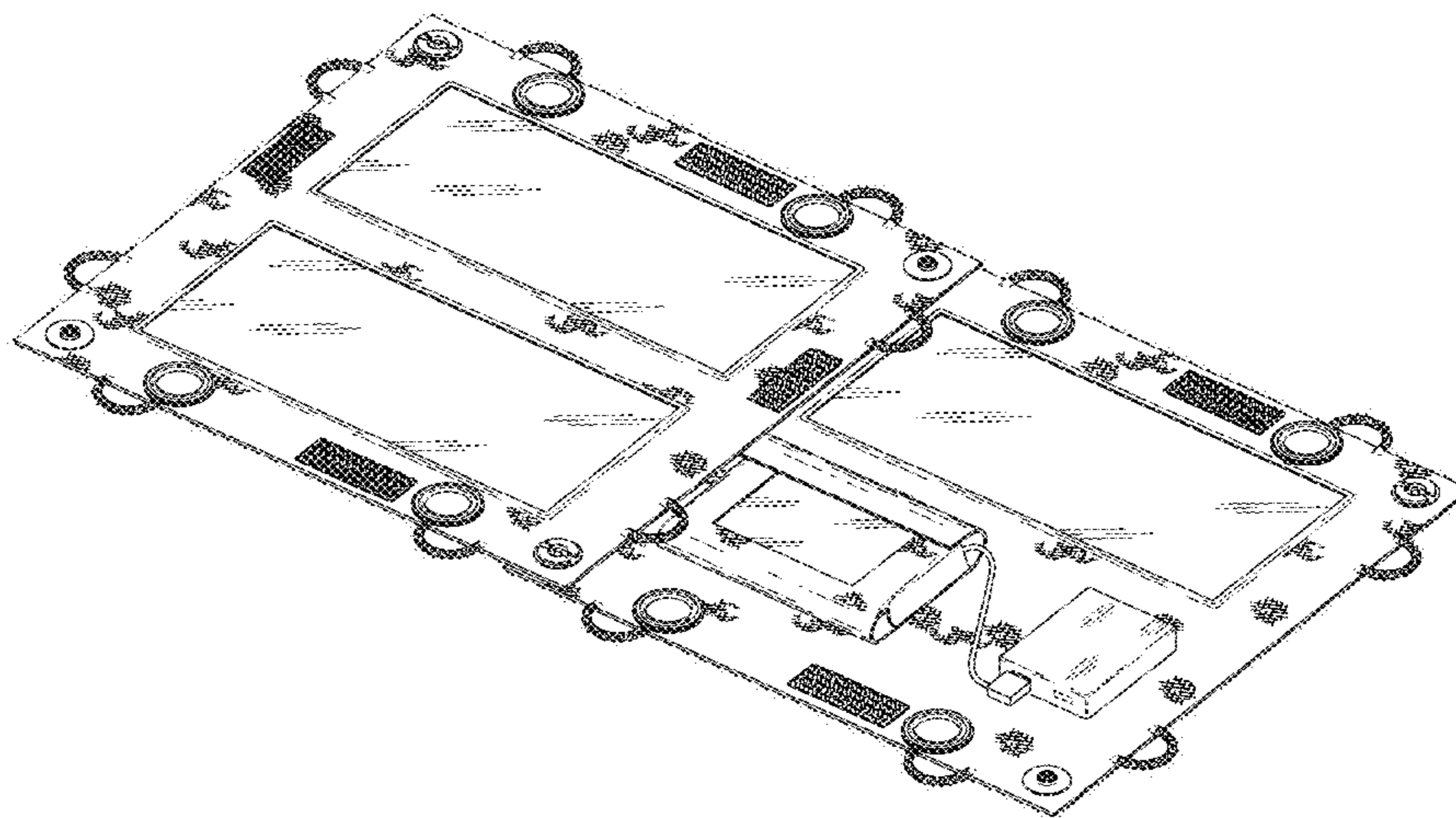
* cited by examiner

The broken lines shown represent unclaimed subject matter and form no part of the claimed design.

Primary Examiner — Derrick Holland

(74) *Attorney, Agent, or Firm* — Russo & Duckworth, LLP;
David G. Duckworth

1 Claim, 11 Drawing Sheets



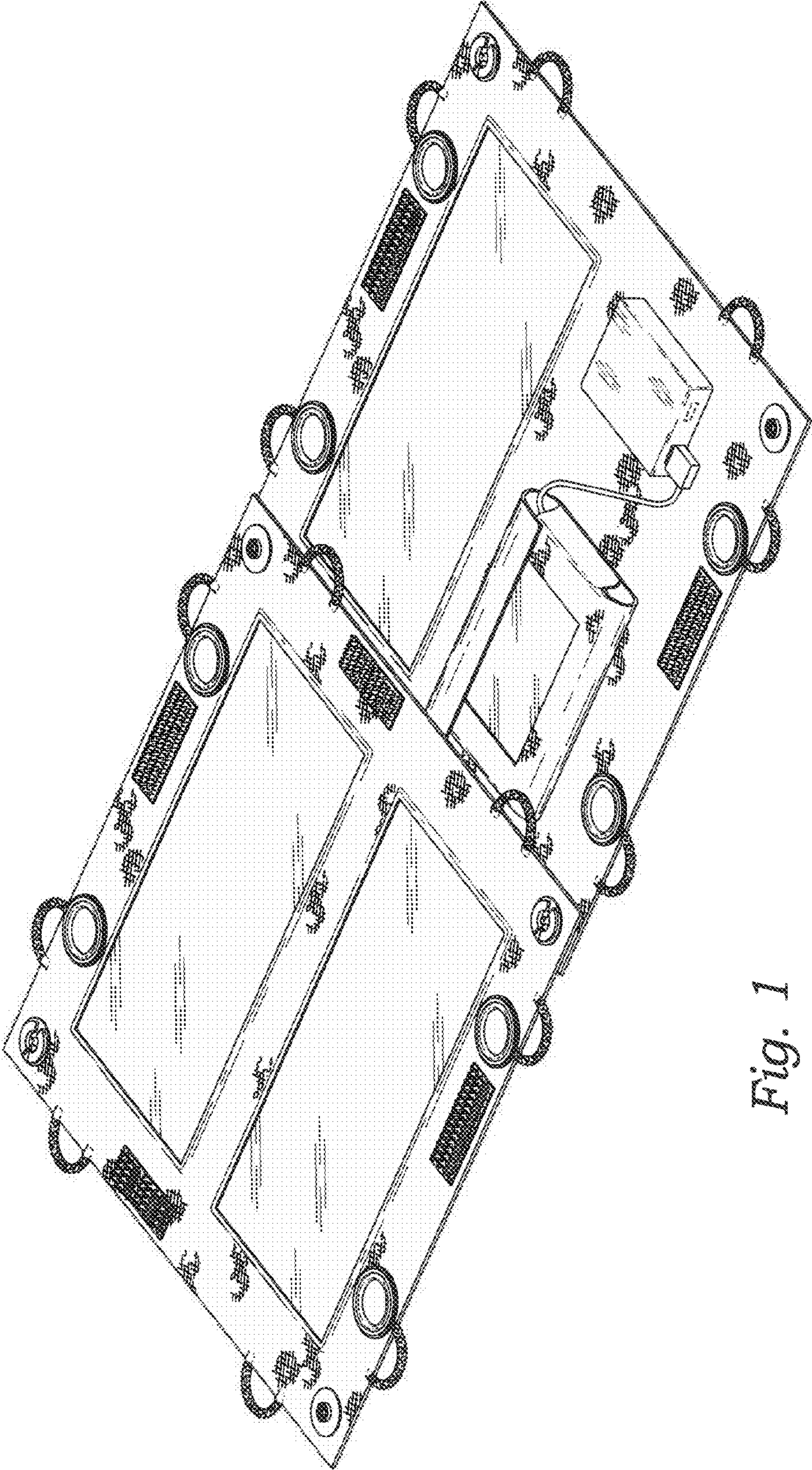


Fig. 1

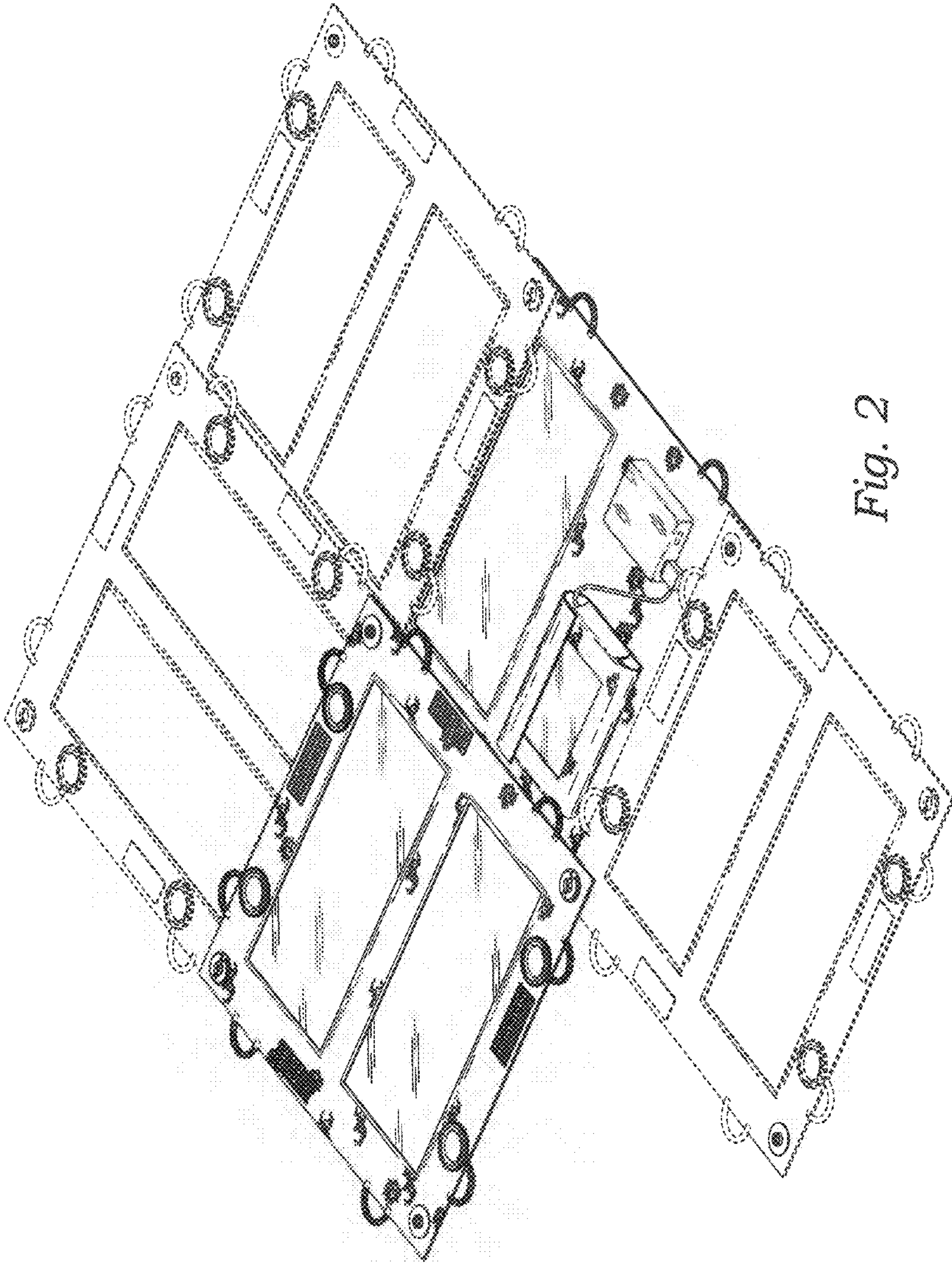


Fig. 2

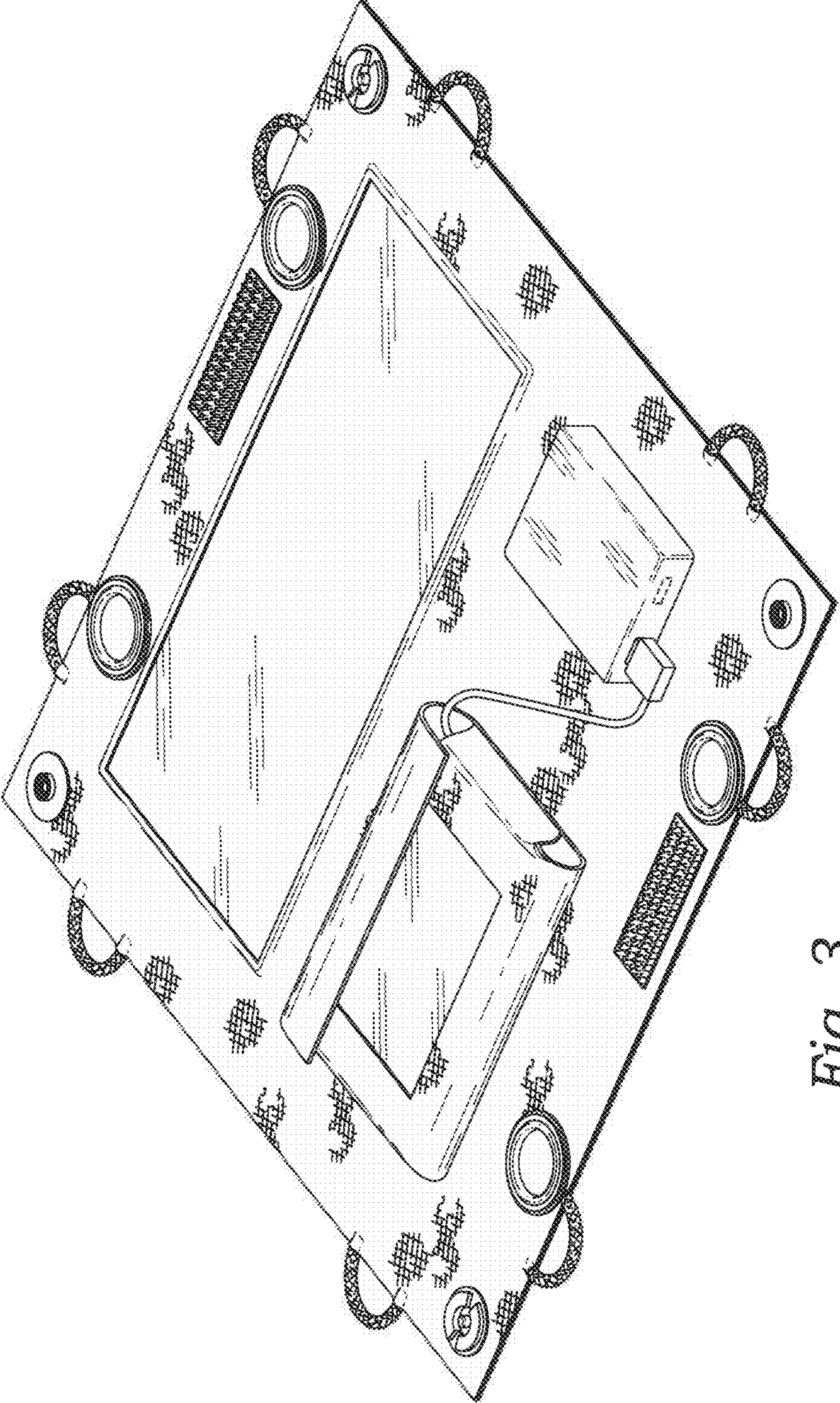


Fig. 3

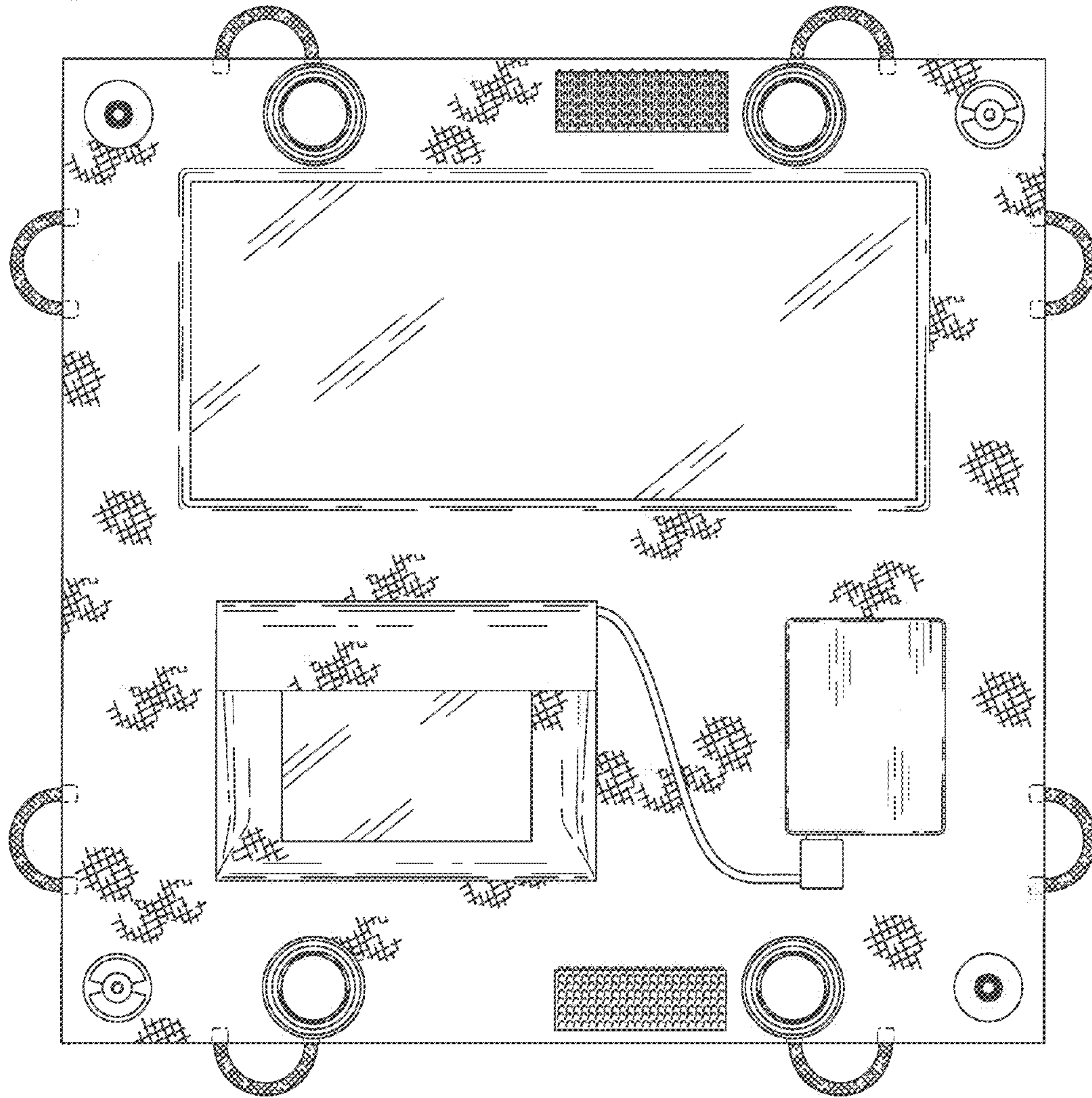


Fig. 4

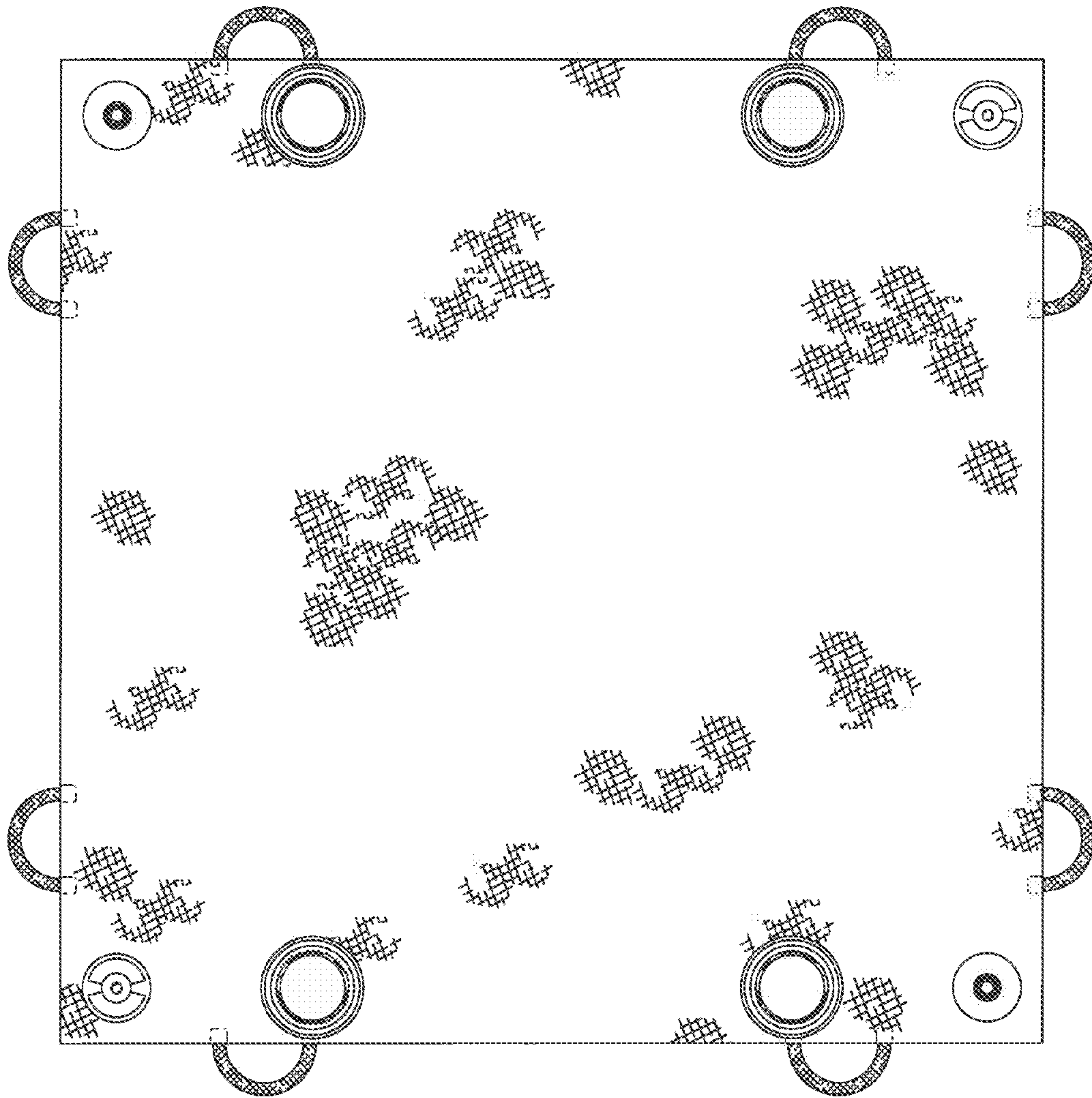


Fig. 5

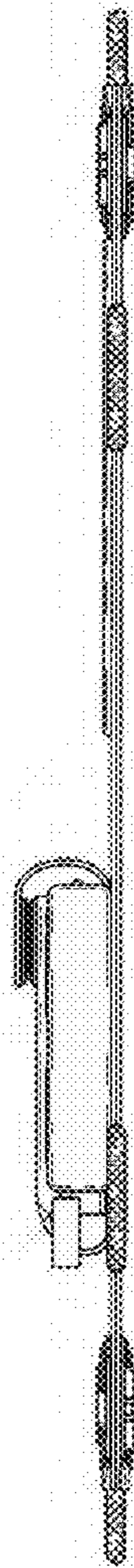


Fig. 6

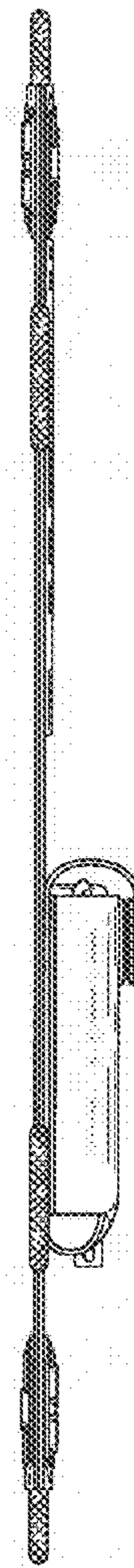


Fig. 7



Fig. 8

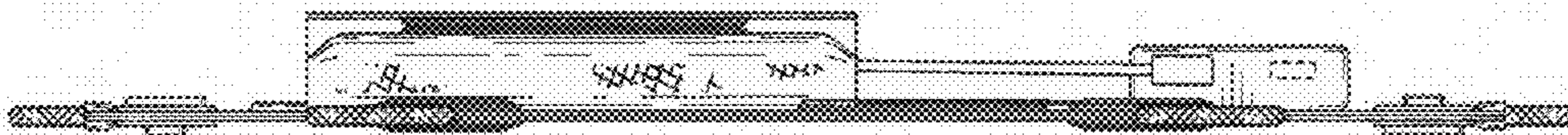


Fig. 9

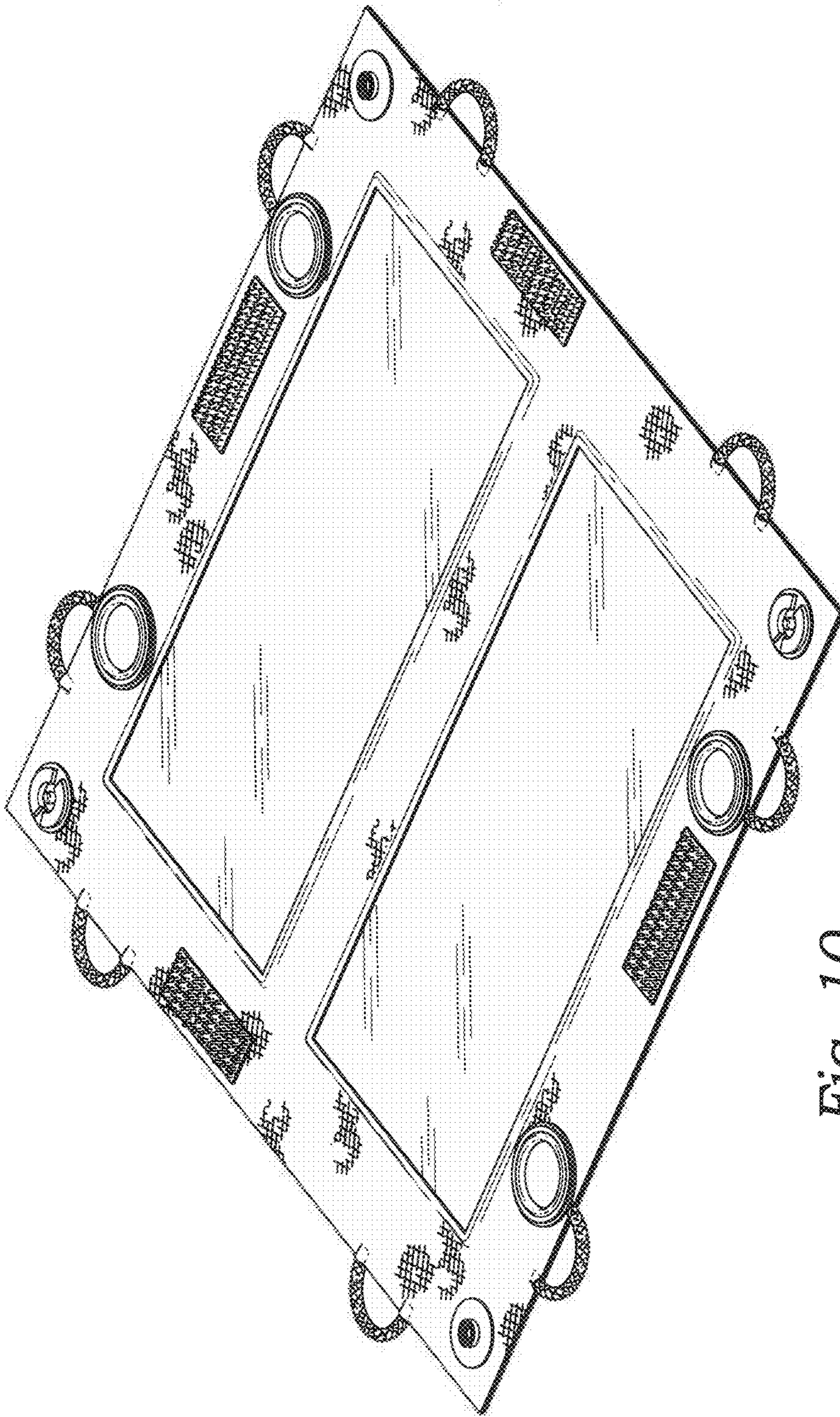


Fig. 10

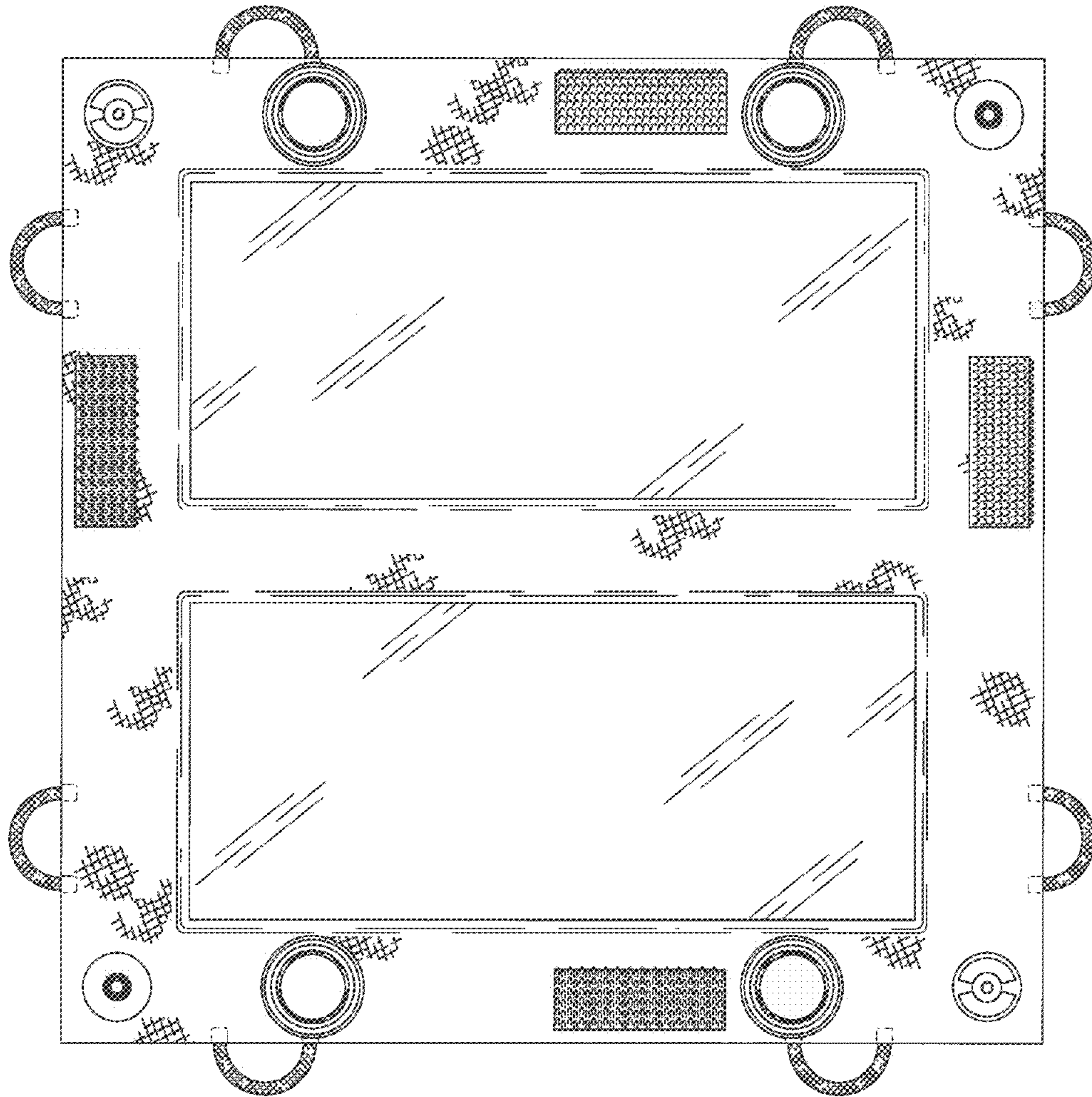


Fig. 11

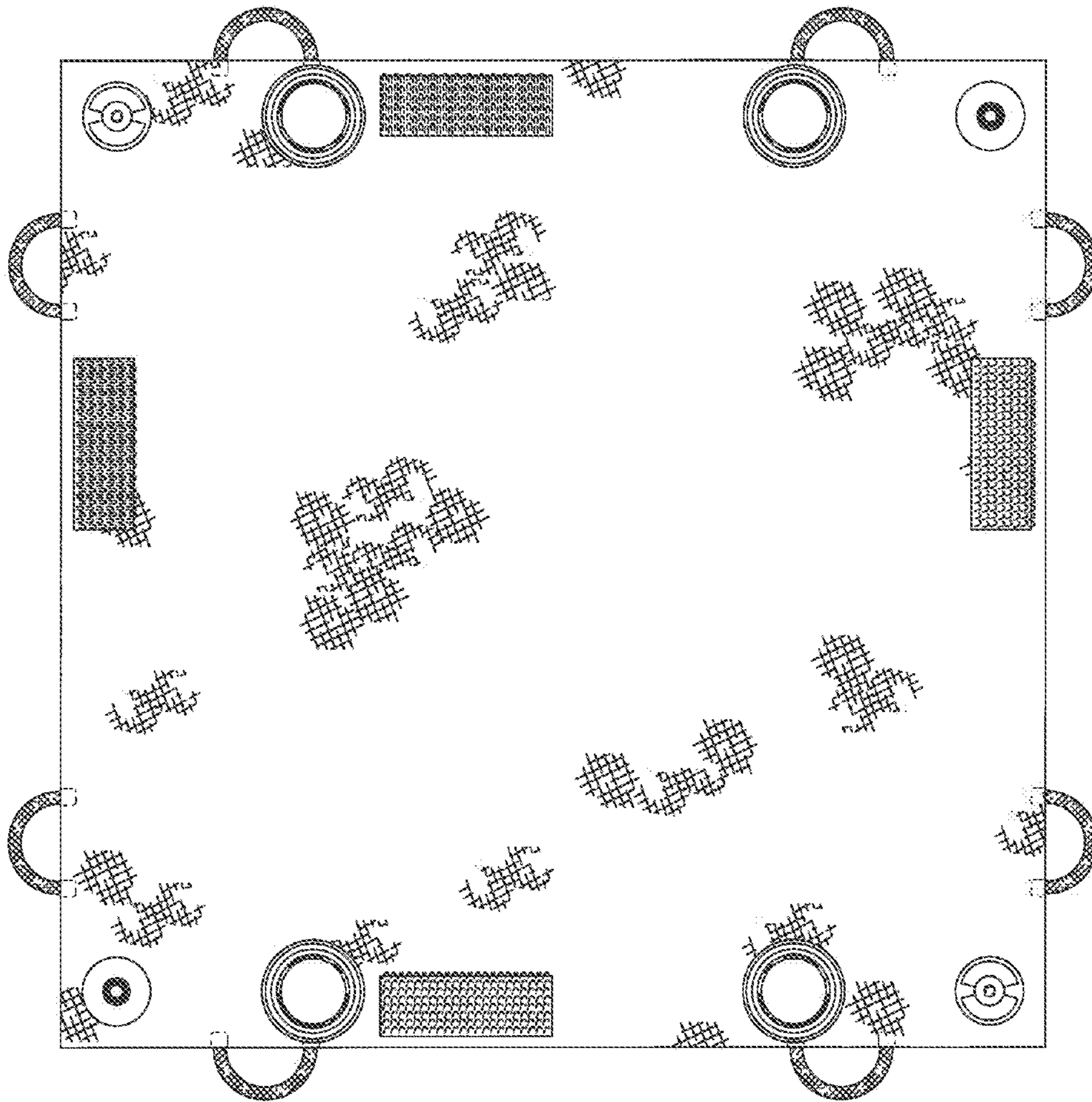


Fig. 12

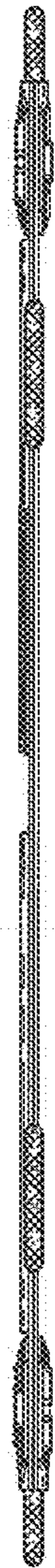


Fig. 13

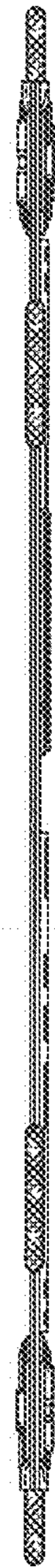


Fig. 14

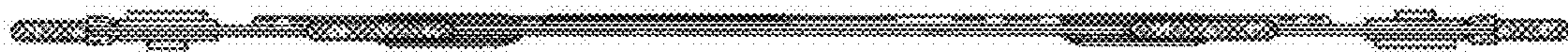


Fig. 15



Fig. 16

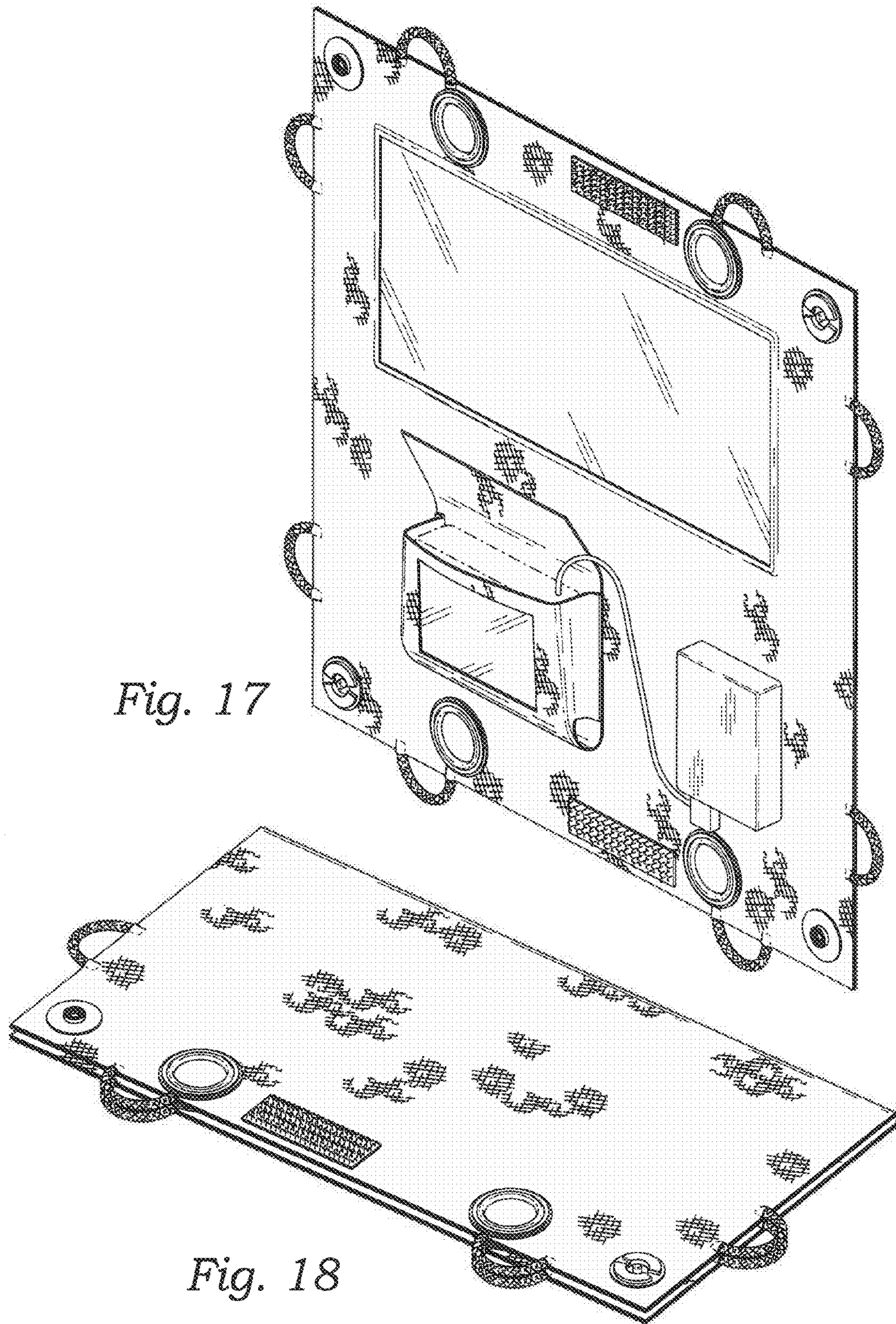


Fig. 17

Fig. 18