



US00D722008S

(12) **United States Design Patent**
Tuel et al.

(10) **Patent No.:** **US D722,008 S**
(45) **Date of Patent:** **** Feb. 3, 2015**

(54) **VEHICLE MOUNTED STORAGE TOTE**

(75) Inventors: **Dennis Tuel**, Dalton, MN (US); **Danny Ouren**, Fergus Falls, MN (US)

(73) Assignee: **DU-HA, Inc**, Fergus Falls, MN (US)

(**) Term: **14 Years**

(21) Appl. No.: **29/429,877**

(22) Filed: **Aug. 17, 2012**

(51) **LOC (10) Cl.** **12-99**

(52) **U.S. Cl.**
USPC **D12/414.1**

(58) **Field of Classification Search**
USPC D12/414.1, 414, 413, 412, 221, 406,
D12/157, 423; D6/552, 317-319, 513-514;
D3/304-306; 293/37.1, 3, 100;
296/39.1, 39.2, 37.6, 26.09, 99.1,
296/100.02, 157; 220/771; 224/309-311,
224/323-329, 273, 42.42, 400-404, 539,
224/542, 315-317, 510, 543, 544, 924;
414/462; 280/848, 727, 769; 206/213,
206/8, 9, 279, 290, 713, 335, 315.1-315.4;
32/35, 58

See application file for complete search history.

(56) **References Cited**

U.S. PATENT DOCUMENTS

4,260,091 A * 4/1981 French et al. 224/311
D274,139 S * 6/1984 Suffern et al. D12/414.1

5,226,302 A * 7/1993 Anderson 70/159
D430,103 S * 8/2000 Scudder D12/414.1
6,507,701 B2 * 1/2003 Lake 296/37.6
D658,373 S * 5/2012 Gros D3/273
D659,632 S * 5/2012 Jordan D12/414.1
D660,781 S * 5/2012 Ruffino et al. D12/414.1
2002/0175530 A1 * 11/2002 Lake 296/37.6
2007/0119093 A1 * 5/2007 Jaskulski 43/54.1
2008/0264946 A1 * 10/2008 Moschella et al. 220/326
2009/0056592 A1 * 3/2009 Threet et al. 108/11
2014/0062042 A1 * 3/2014 Wagner et al. 280/30

* cited by examiner

Primary Examiner — Katrina A Betton

(57) **CLAIM**

The ornamental design for a vehicle mounted storage tote, as shown and described.

DESCRIPTION

FIG. 1 is a perspective view of a vehicle mounted storage tote with the cover closed.

FIG. 2 is a view of the front side of a vehicle mounted storage tote.

FIG. 3 is a view of the back side of a vehicle mounted storage tote.

FIG. 4 is a view of the top of a vehicle mounted storage tote.

FIG. 5 is a view of the right side of a vehicle mounted storage tote; and,

FIG. 6 is a view of the left side of a vehicle mounted storage tote.

No view of the bottom of the tote is shown. The bottom is unornamented and not part of the claimed design.

1 Claim, 6 Drawing Sheets

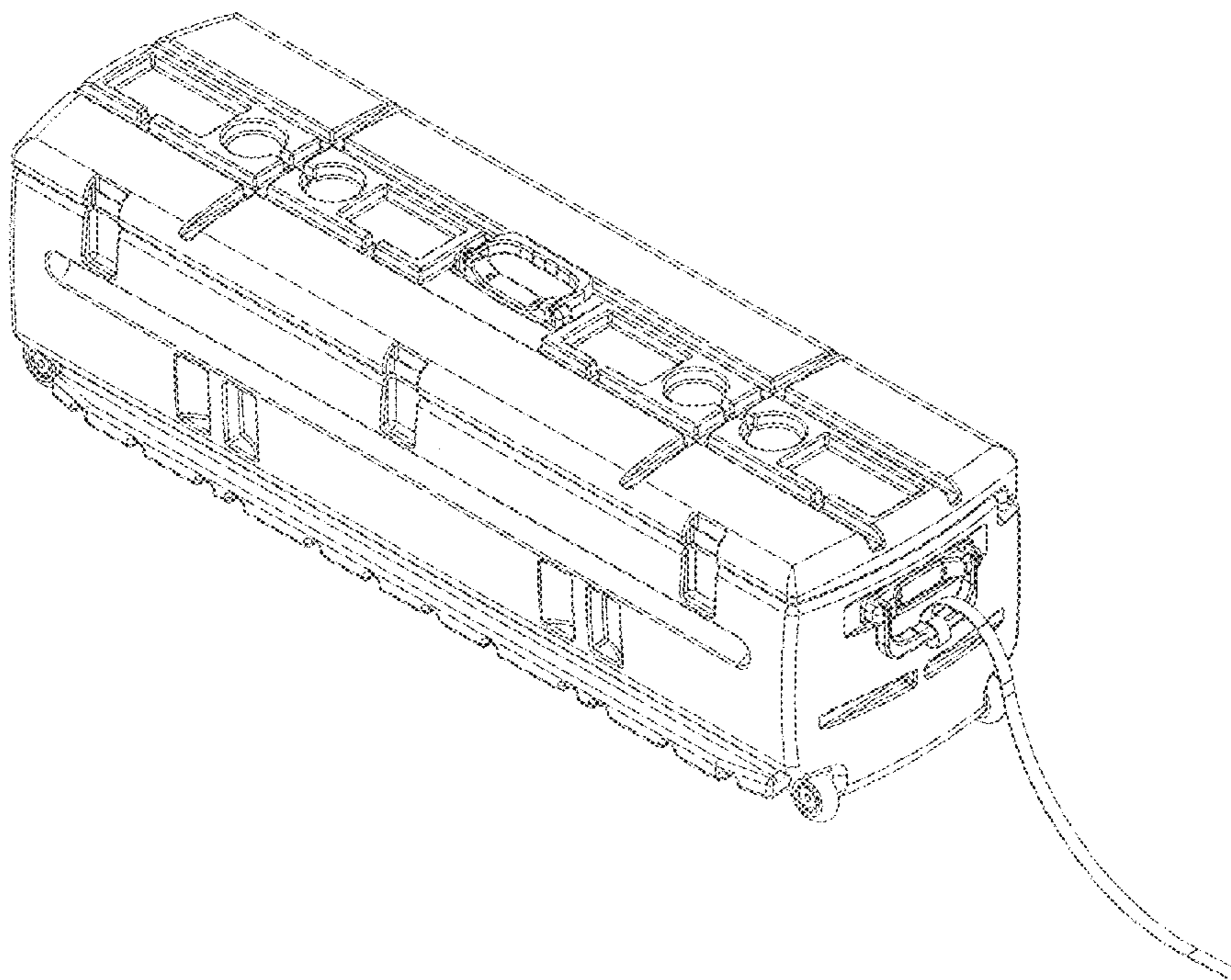


Figure 1

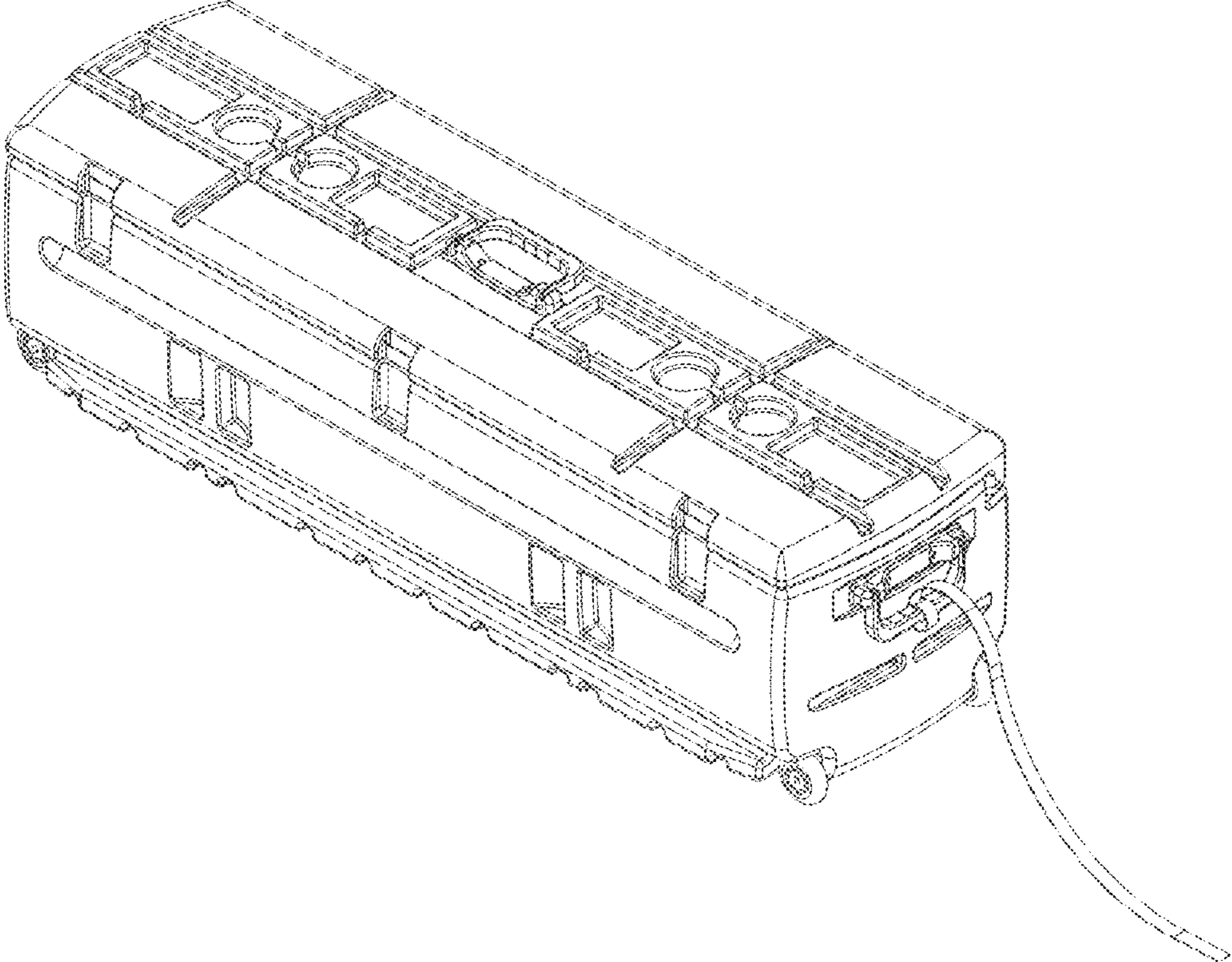


Figure 2

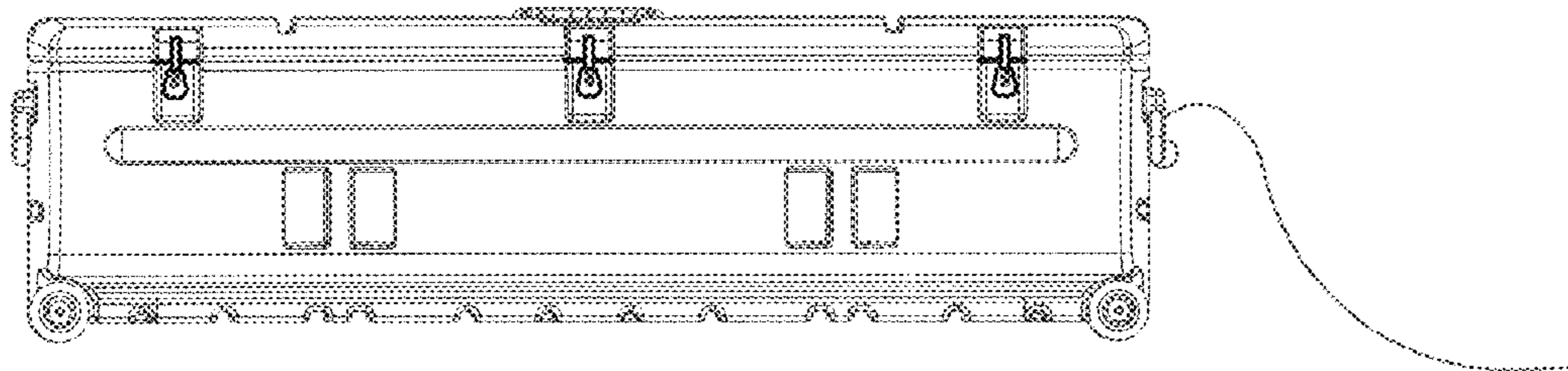


Figure 3

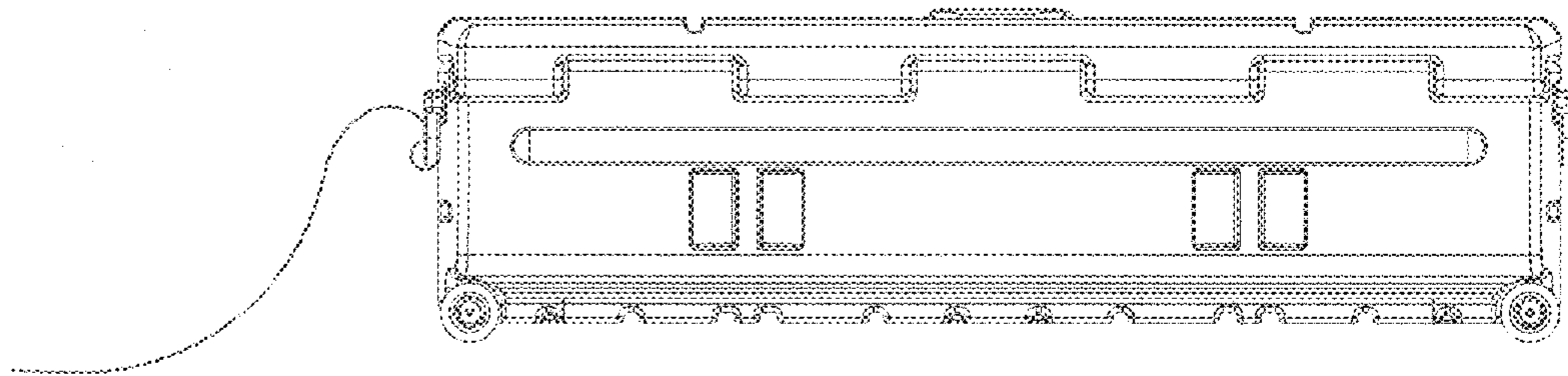


Figure 4

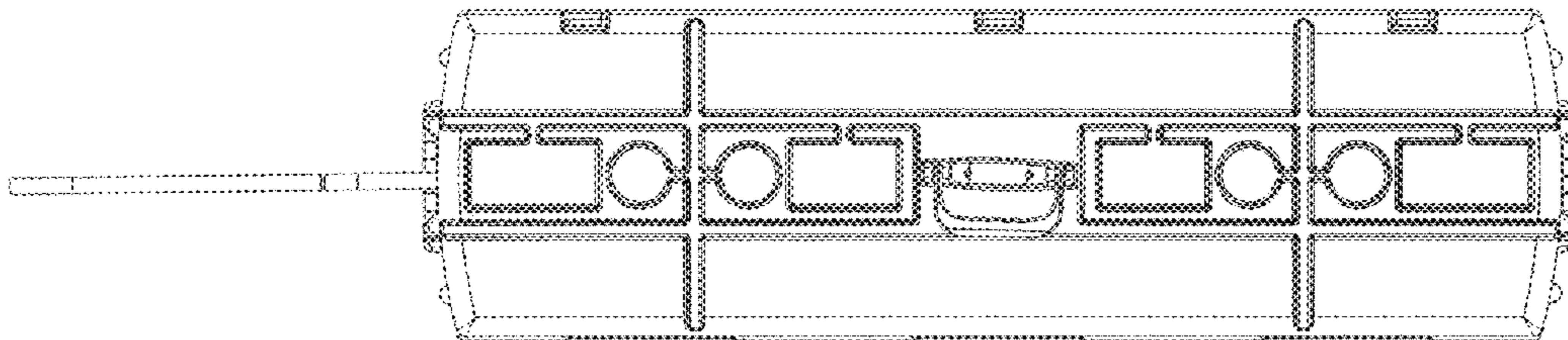


Figure 5

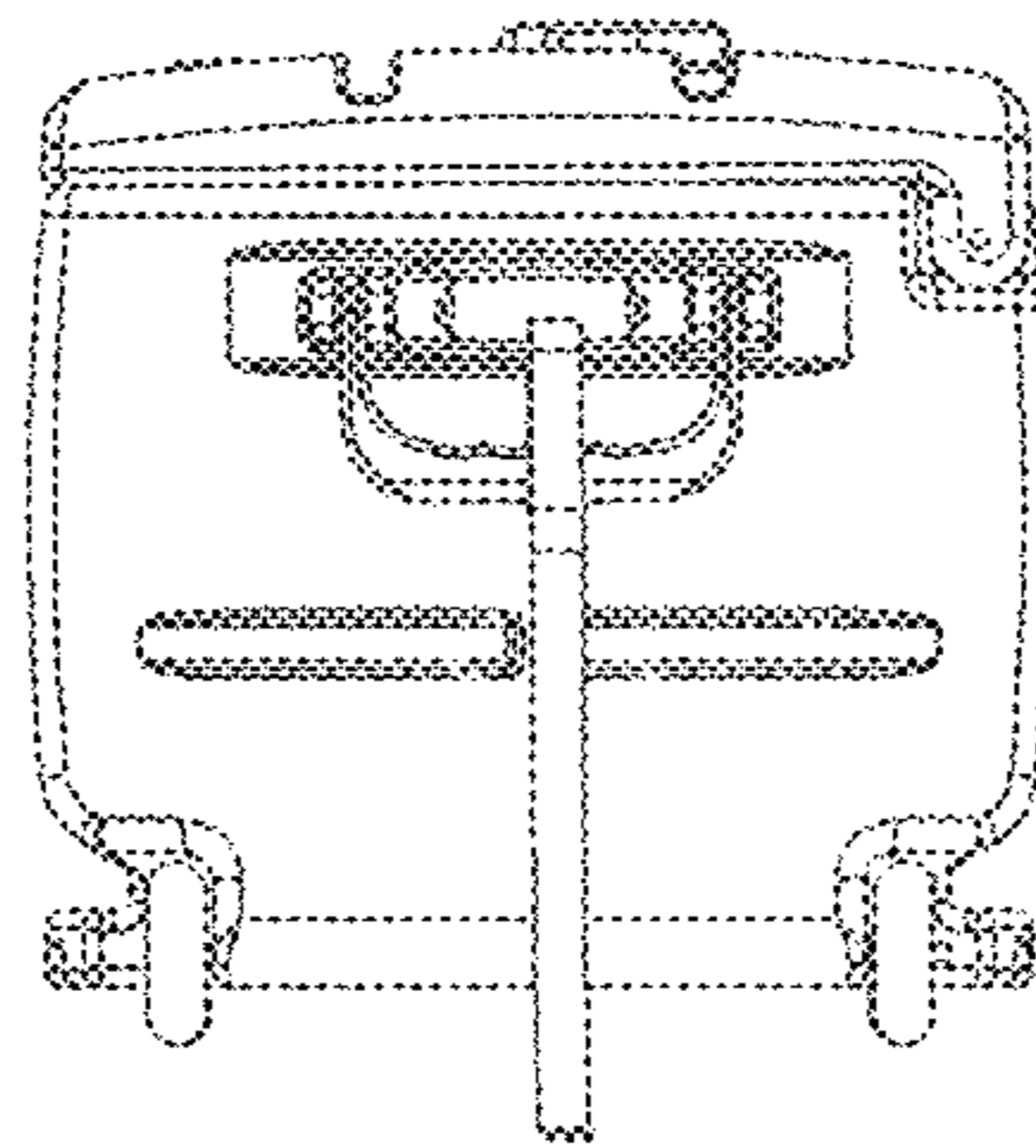


Figure 6

