

US00D722007S

(12) **United States Design Patent**  
**Ting**

(10) **Patent No.:** **US D722,007 S**

(45) **Date of Patent:** **\*\* Feb. 3, 2015**

(54) **TRUCK RACK**

(71) Applicant: **Tailai Ting**, Chino, CA (US)

(72) Inventor: **Tailai Ting**, Chino, CA (US)

(\*\*) Term: **14 Years**

(21) Appl. No.: **29/442,825**

(22) Filed: **May 24, 2013**

(51) **LOC (10) Cl.** ..... **12-16**

(52) **U.S. Cl.**  
USPC ..... **D12/414**

(58) **Field of Classification Search**  
USPC ..... D12/414; D32/35, 58; D6/317-319,  
D6/513-514; 206/213, 8, 9, 279, 290, 713,  
206/335

See application file for complete search history.

(56) **References Cited**

**U.S. PATENT DOCUMENTS**

D244,268 S \* 5/1977 Hinch ..... D12/412  
D306,003 S \* 2/1990 Berkan, Jr. .... D12/414  
D398,284 S \* 9/1998 Carter et al. .... D12/406

D436,915 S \* 1/2001 Burger ..... D12/406  
D444,446 S \* 7/2001 Carter ..... D12/406  
7,641,251 B1 \* 1/2010 Stepanians ..... 296/3  
D639,231 S \* 6/2011 Walsh ..... D12/414  
D655,238 S \* 3/2012 Vu ..... D12/406

\* cited by examiner

*Primary Examiner* — Katrina A Betton

(57) **CLAIM**

The ornamental design for a truck rack, as shown and described.

**DESCRIPTION**

FIG. 1 is a perspective view of a truck rack showing my new design.

FIG. 2 is a top plan view thereof.

FIG. 3 is a front elevational view thereof.

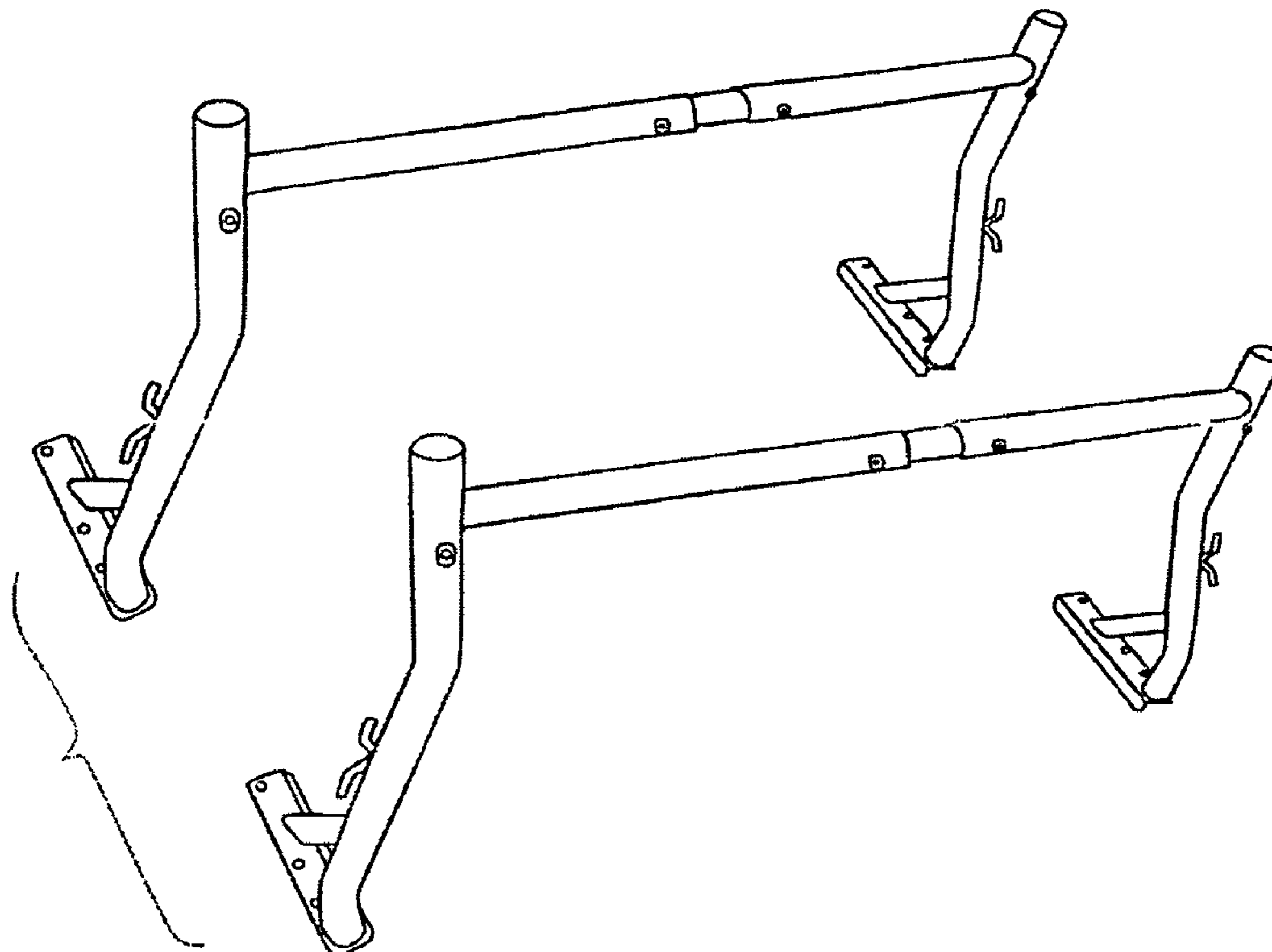
FIG. 4 is a left side elevational view thereof.

FIG. 5 is a right side elevational view thereof.

FIG. 6 is a bottom plan view thereof; and,

FIG. 7 is a rear elevational view thereof.

**1 Claim, 4 Drawing Sheets**



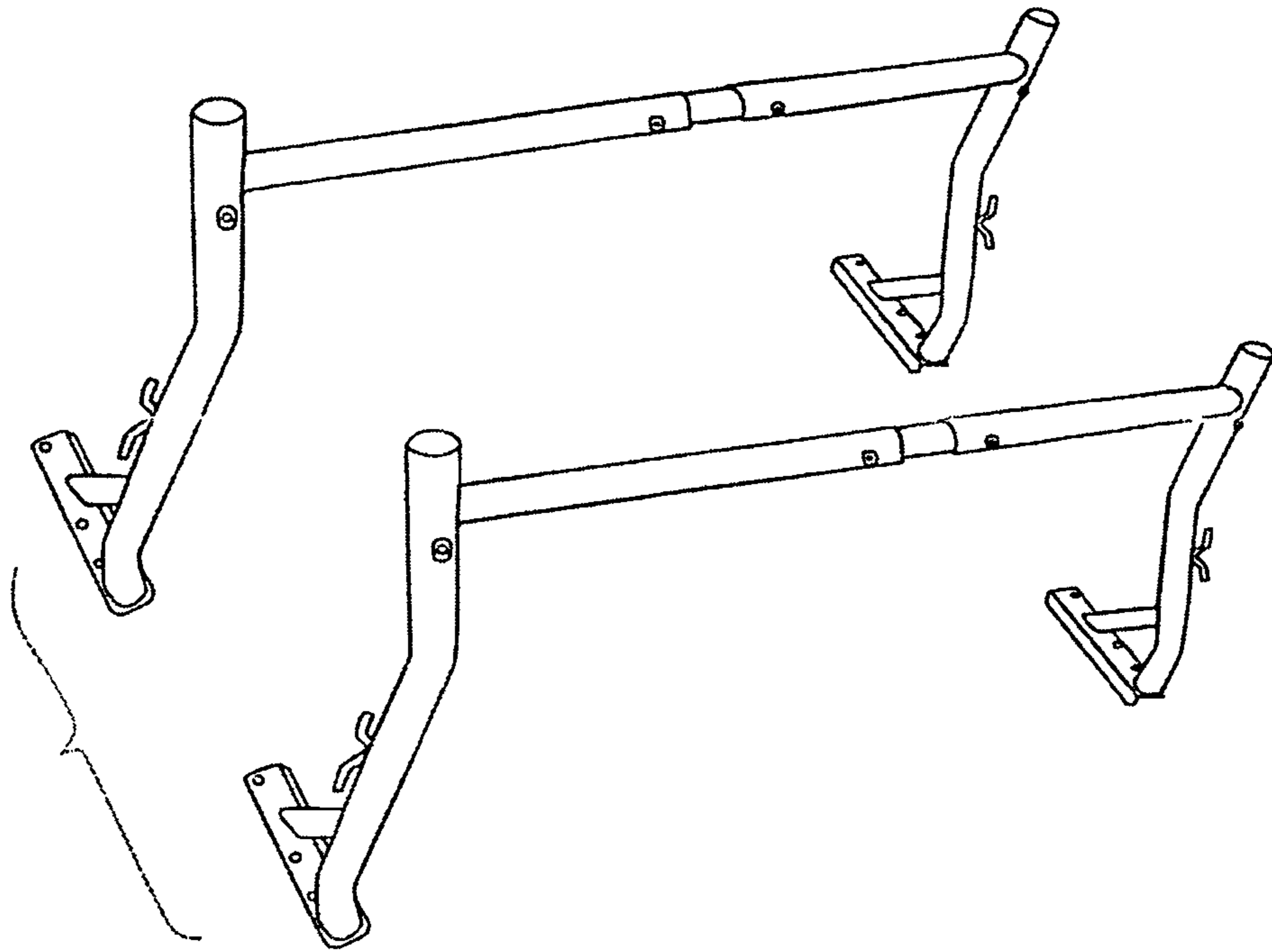


FIG. 1

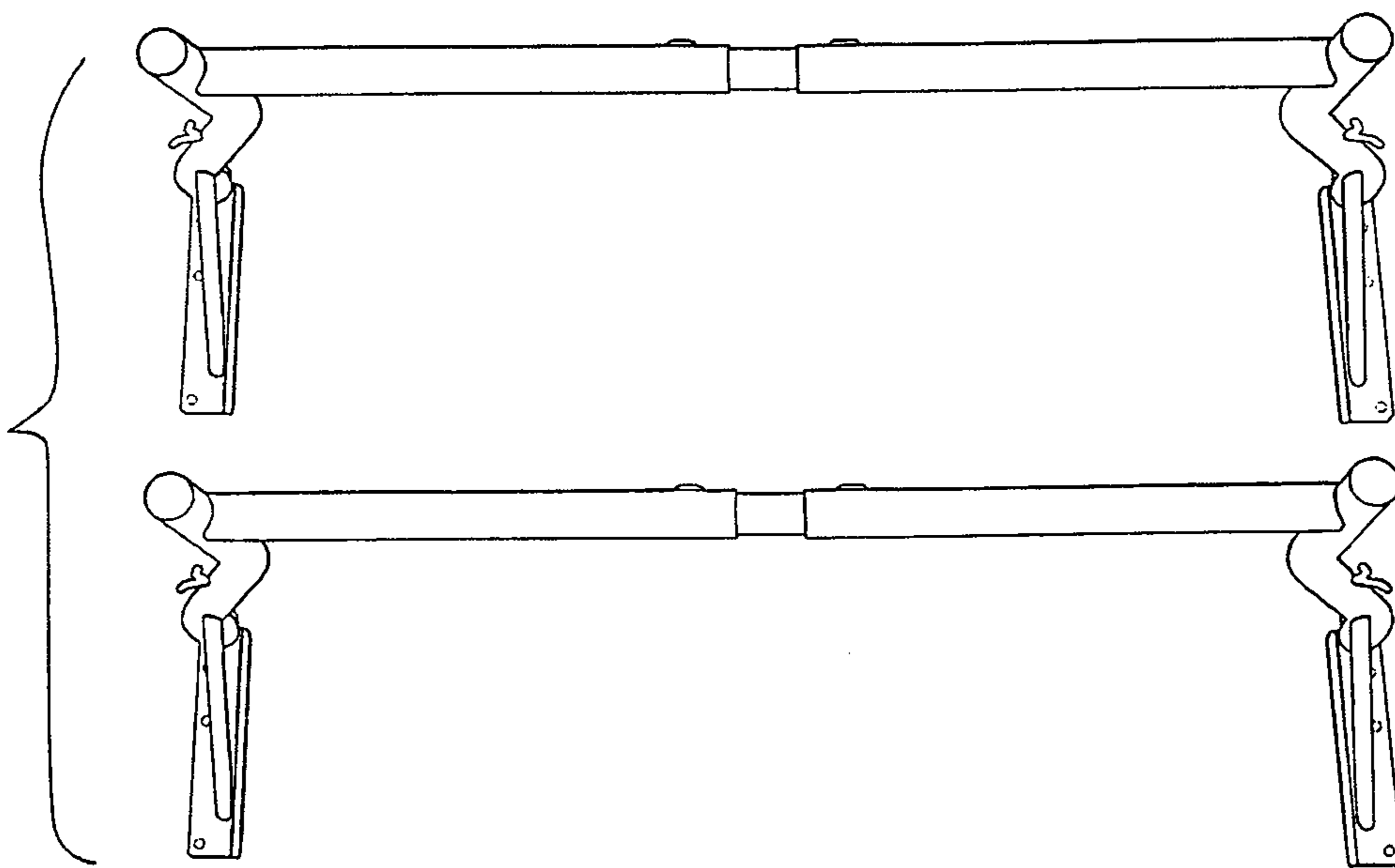


FIG. 2

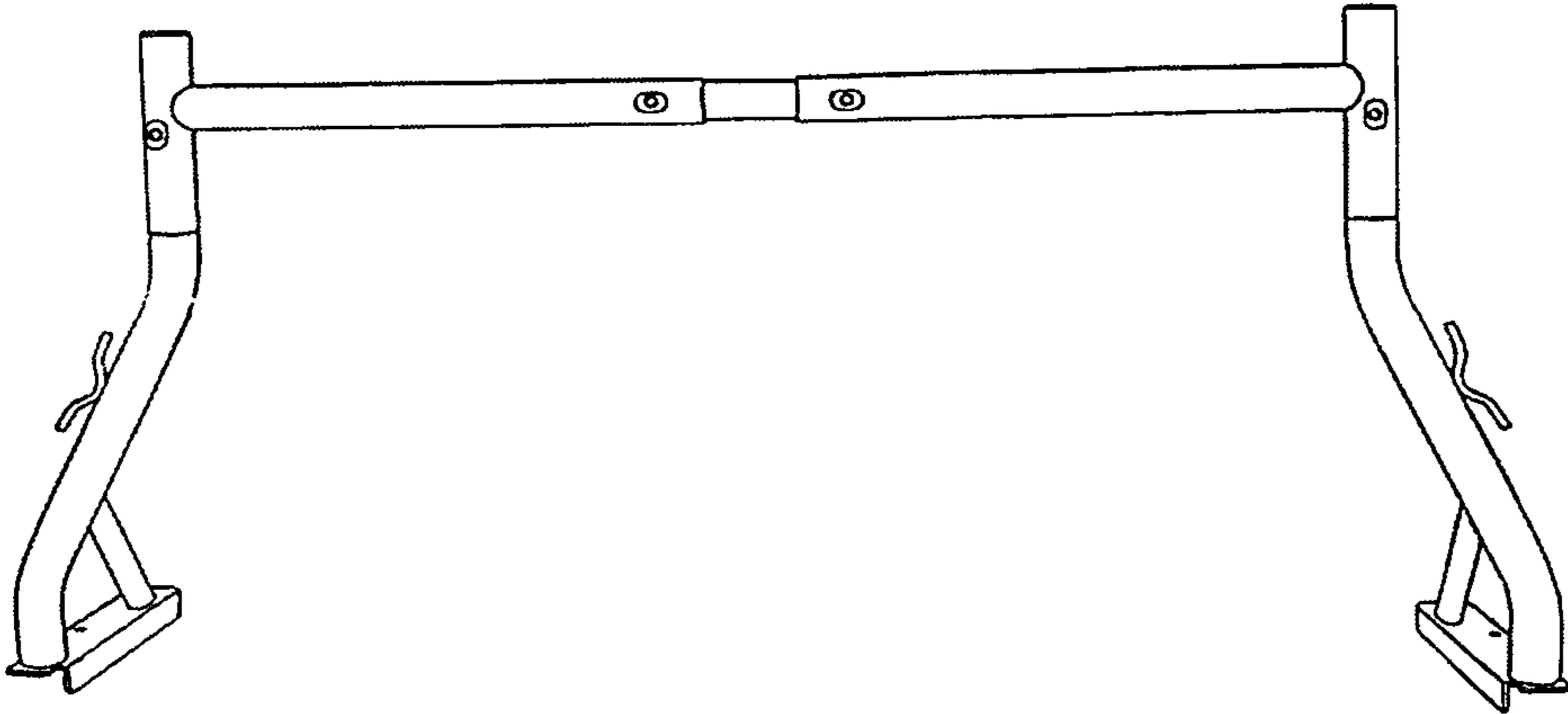


FIG.3

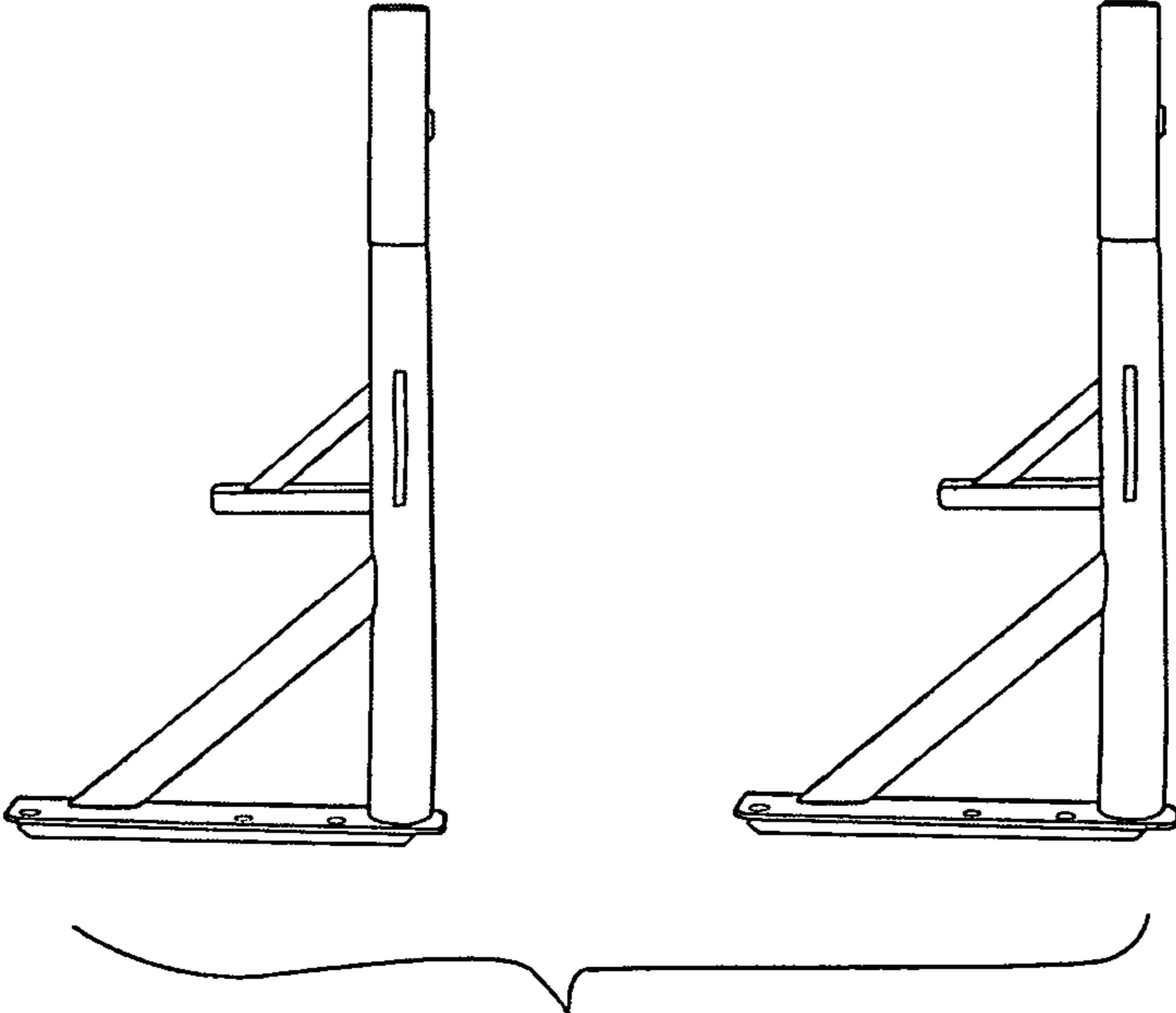


FIG.4

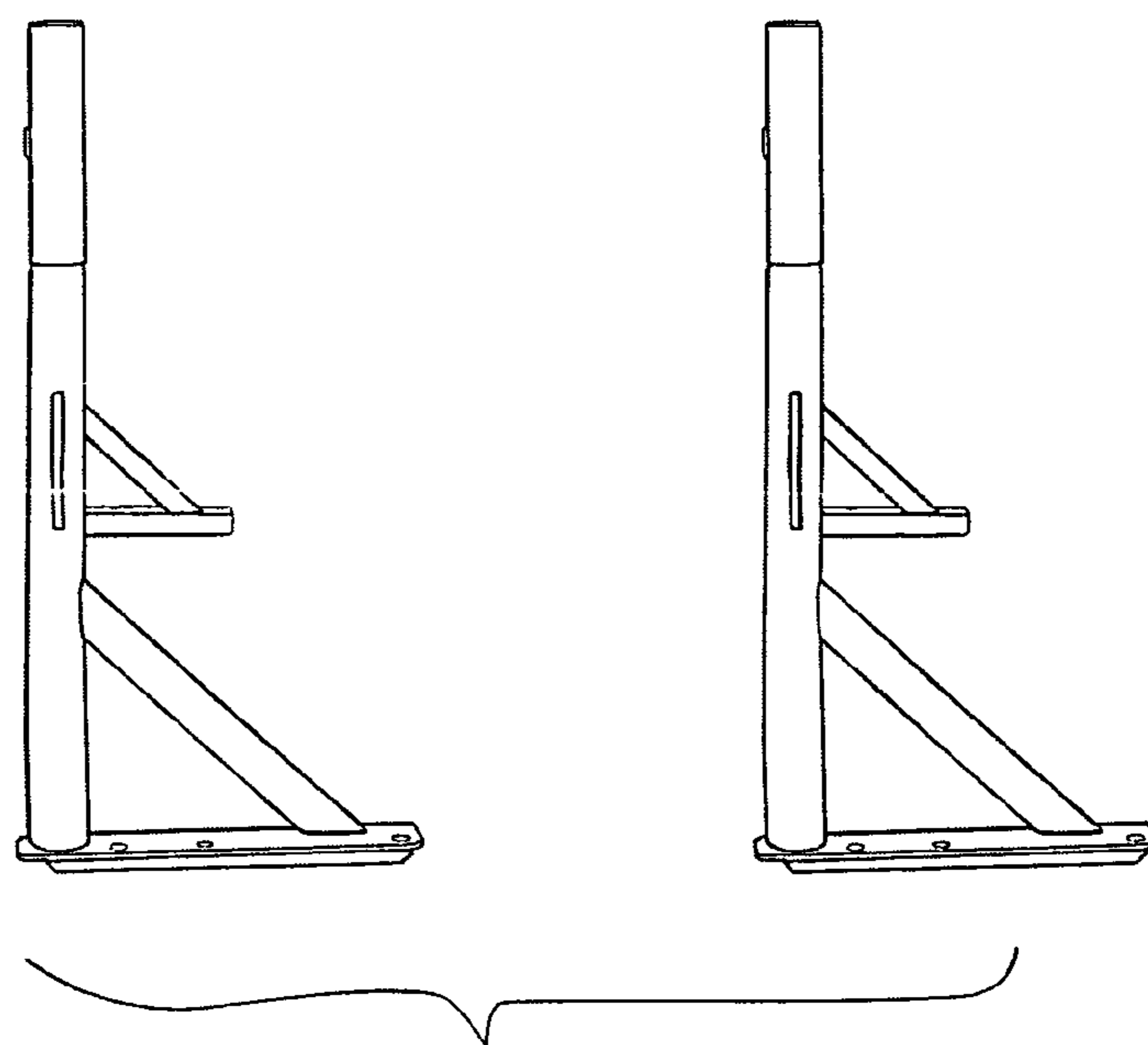


FIG. 5

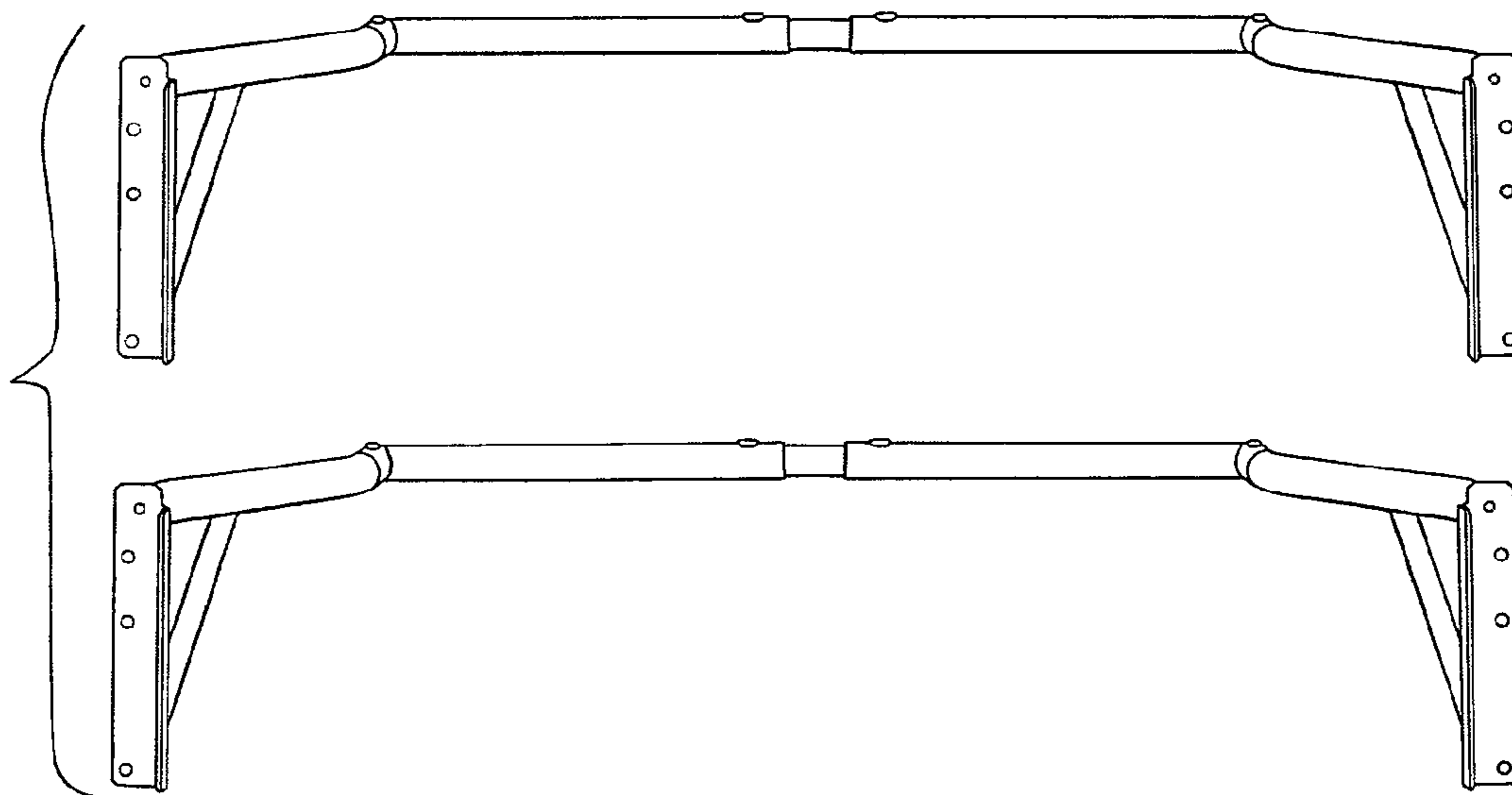


FIG. 6

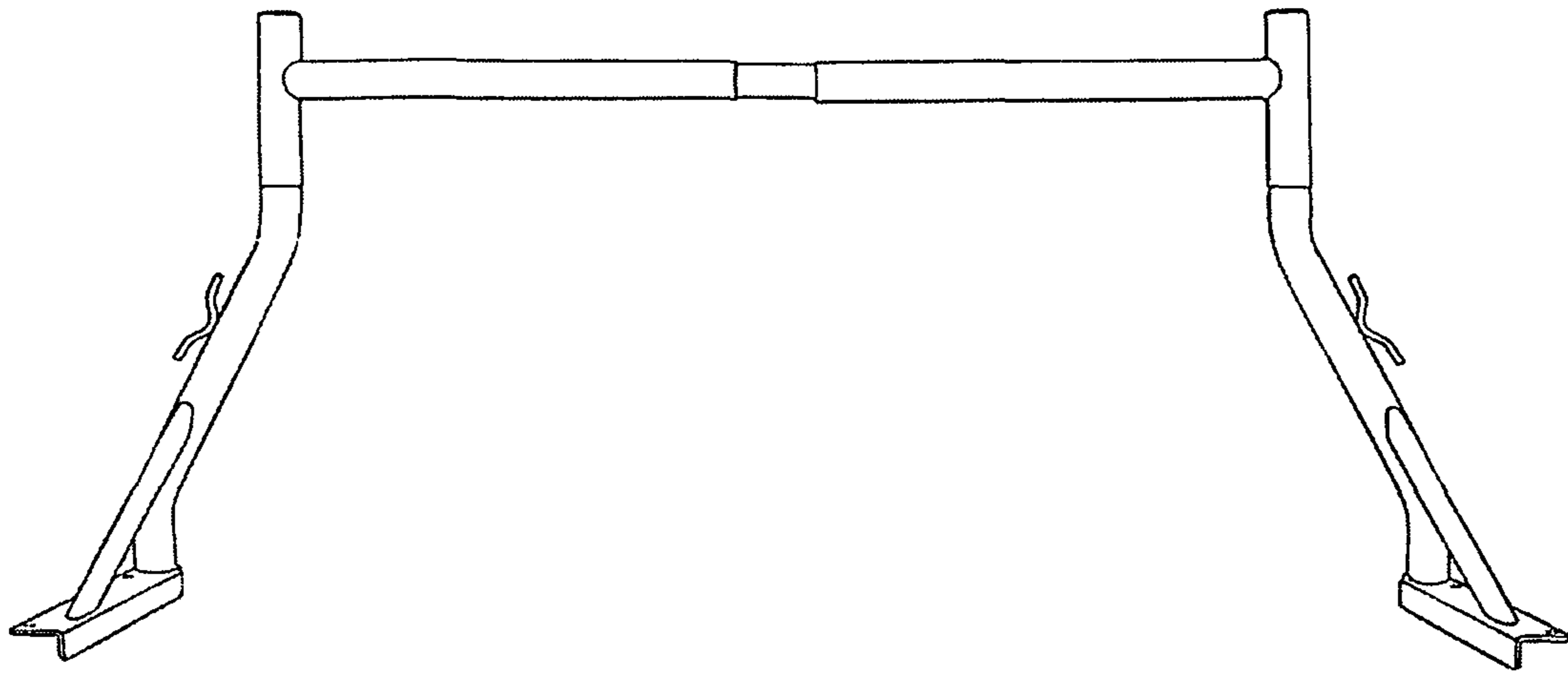


FIG. 7