



US00D722006S

(12) **United States Design Patent**
Settelmayer et al.

(10) **Patent No.:** **US D722,006 S**
(45) **Date of Patent:** **** Feb. 3, 2015**

(54) **AUTOMOTIVE ROOFTOP CARGO BOX**

(75) Inventors: **Joseph J. Settelmayer**, McKinleyville, CA (US); **Gregor G. Weaver**, Waterbury, CT (US); **John R. Laverack**, Soutbury, CT (US)

(73) Assignee: **Thule Sweden AB**, Hillerstorp (SE)

(**) Term: **14 Years**

(21) Appl. No.: **29/431,794**

(22) Filed: **Sep. 11, 2012**

(51) **LOC (10) Cl.** **12-16**

(52) **U.S. Cl.**
USPC **D12/413**

(58) **Field of Classification Search**
USPC 293/37.1, 3, 100; 224/309–310, 224/315–316, 323–329, 400; D6/552, D6/317–319, 513–514; D3/304–306; 280/760–762, 848, 727, 769; 206/213, 206/8, 9, 279, 290, 713, 335, 315.1–315.4; D32/35, 58; 296/99.1, 37.1, 100.02, 296/157

See application file for complete search history.

(56) **References Cited**

U.S. PATENT DOCUMENTS

D297,631 S *	9/1988	Breger	D12/413
D462,312 S *	9/2002	Klein	D12/413
D489,674 S *	5/2004	Settelmayer et al.	D12/413
D543,929 S *	6/2007	D'Andrea et al.	D12/413
D595,215 S *	6/2009	Rasche	D12/413
D630,157 S *	1/2011	Farber	D12/413
D656,082 S *	3/2012	Gruner	D12/413
8,757,457 B2 *	6/2014	Settelmayer et al.	224/328

* cited by examiner

Primary Examiner — Katrina A Betton

(74) *Attorney, Agent, or Firm* — Novak Druce Connolly Bove + Quigg LLP

(57) **CLAIM**

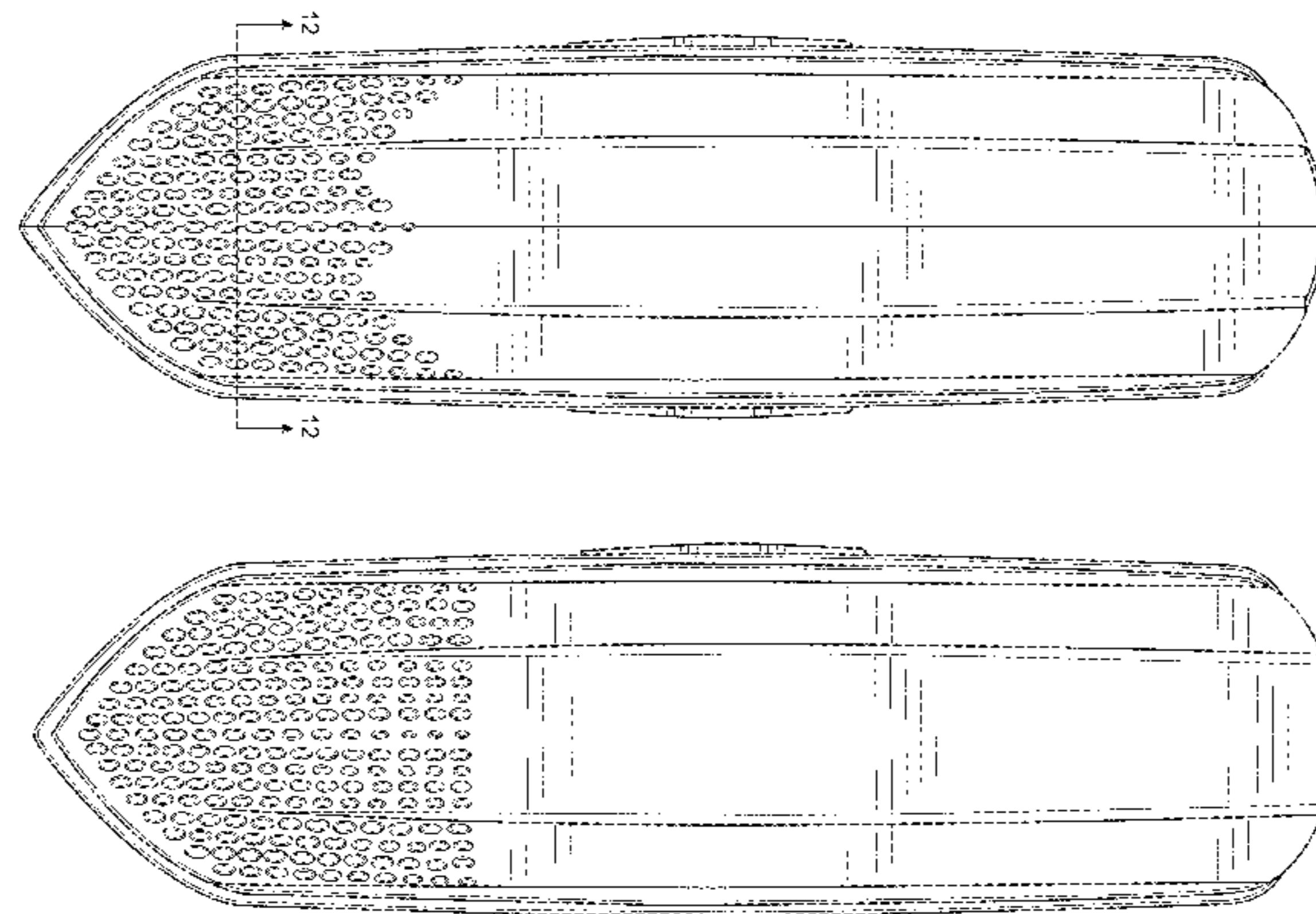
We claim the ornamental design for an automotive rooftop cargo box, as shown and described.

DESCRIPTION

FIG. 1 is a perspective view of an automotive rooftop cargo box;
 FIG. 2 is a front elevational view thereof;
 FIG. 3 is a rear elevational view thereof;
 FIG. 4 is a left side elevational view thereof;
 FIG. 5 is a right side elevational view thereof;
 FIG. 6 is a top plan view thereof;
 FIG. 7 is a bottom plan view thereof;
 FIG. 8 is a detail perspective view of the leading portion thereof;
 FIG. 9 is a detail front view thereof;
 FIG. 10 is a detail rearview thereof;
 FIG. 11 is a detail top plan view of the leading portion thereof; and
 FIG. 12 is a cross-sectional view of the lid portion thereof taken along axis 12-12 from FIG. 6.
 FIG. 13 is a perspective view of an alternate embodiment of an automotive rooftop cargo box;
 FIG. 14 is a front elevational view thereof;
 FIG. 15 is a rear elevational view thereof;
 FIG. 16 is a top plan view thereof;
 FIG. 17 is a detail top plan view of the leading portion thereof;
 FIG. 18 is a detail front view thereof; and
 FIG. 19 is a detail rearview thereof.
 FIG. 20 is a perspective view of a second alternate embodiment of an automotive rooftop cargo box;
 FIG. 21 is a top plan view thereof;
 FIG. 22 is a front elevational view thereof;
 FIG. 23 is a rear elevational view thereof;
 FIG. 24 is a detail top plan view of the leading portion thereof;
 FIG. 25 is a detail front view thereof; and
 FIG. 26 is a detail rearview thereof.

The broken lines are directed to environment and are for illustrative purposes only; the broken lines form no part of the claimed design. The cross-sectional views in FIG. 12 are to illustrate surface contours of the design; internal structures form no part of the claimed design.

1 Claim, 20 Drawing Sheets



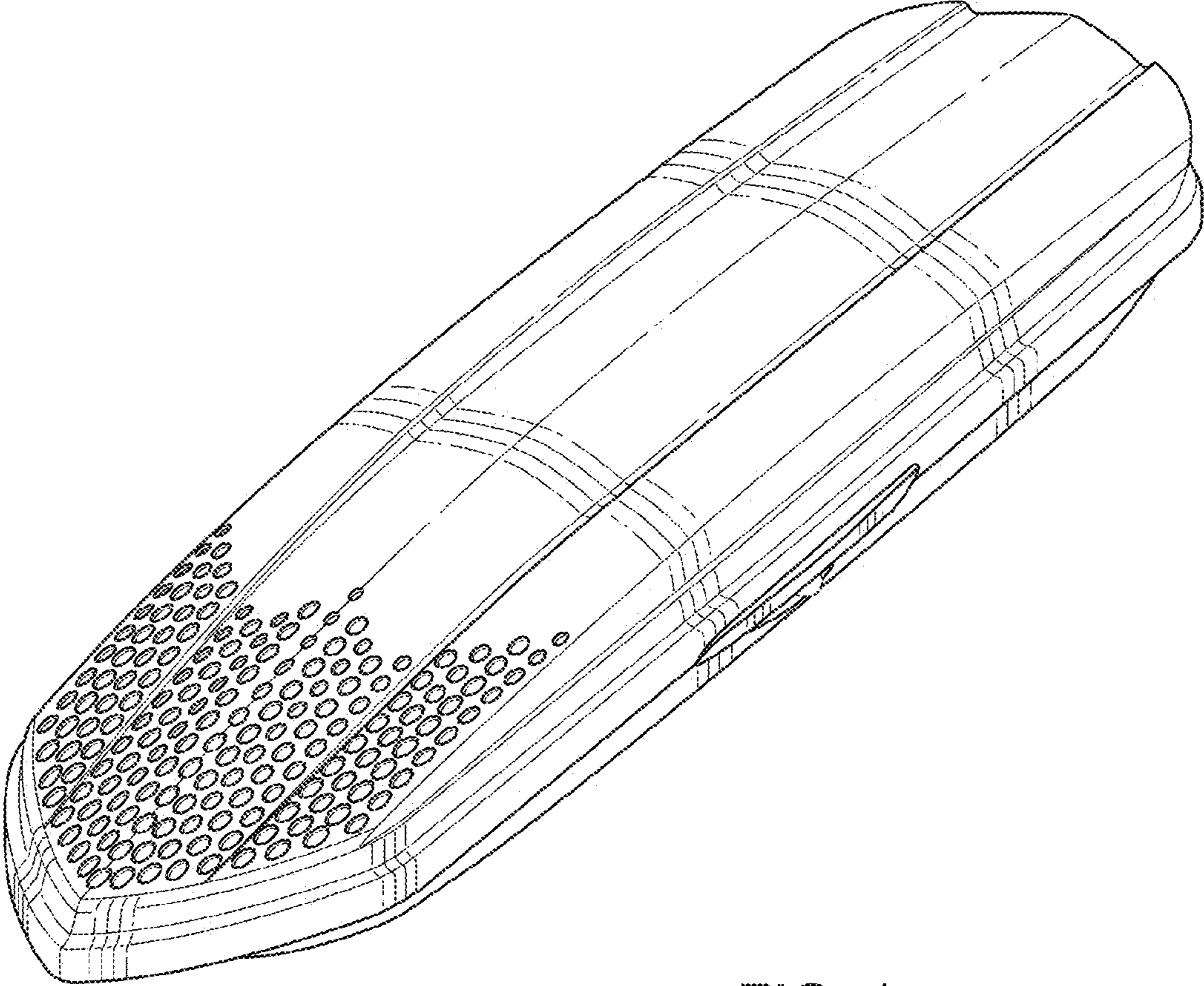


FIG. 1

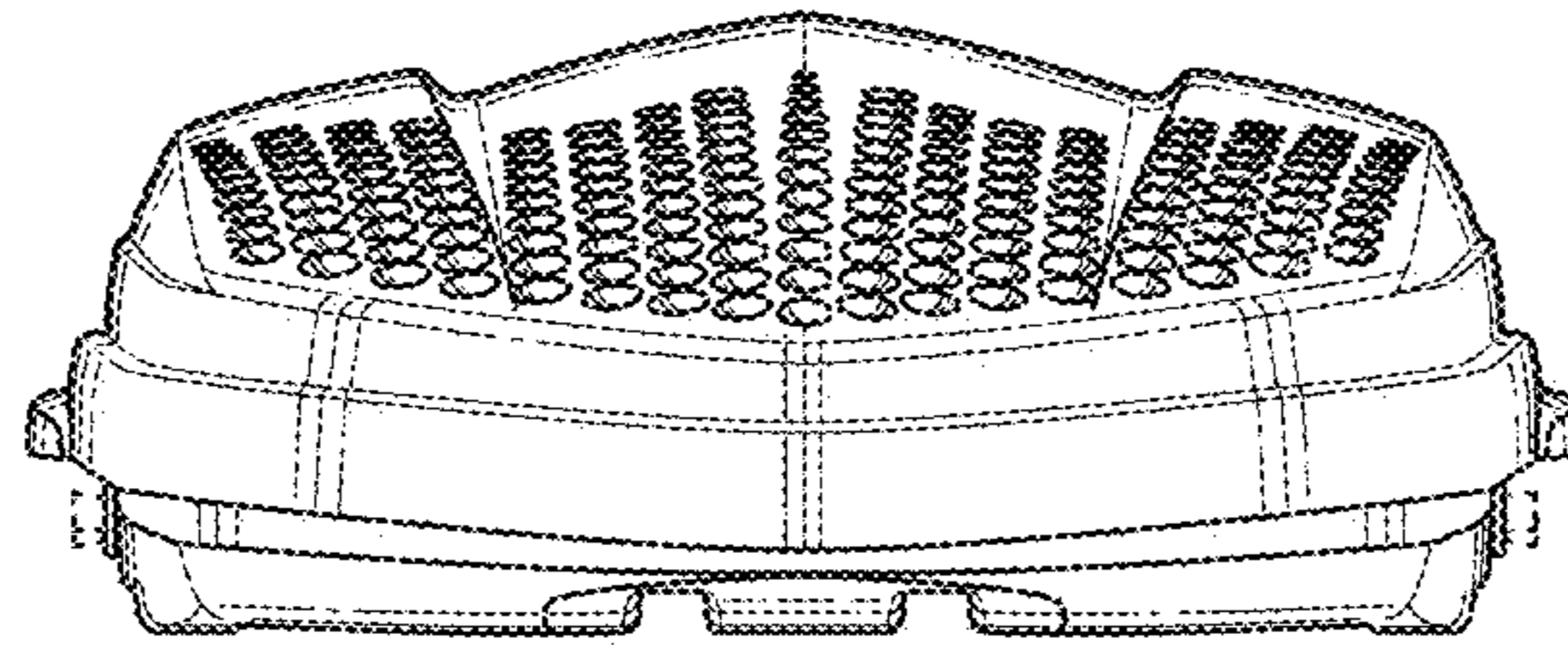


FIG. 2

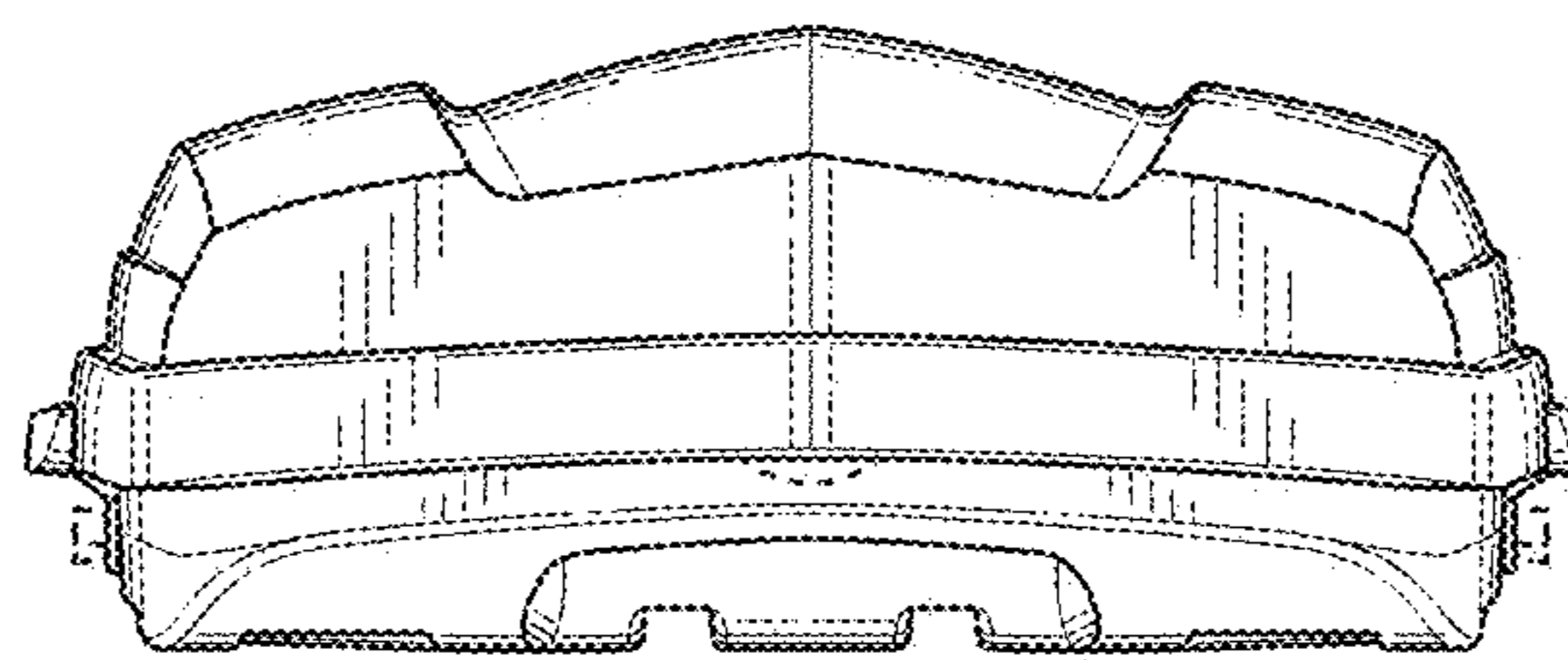


FIG. 3

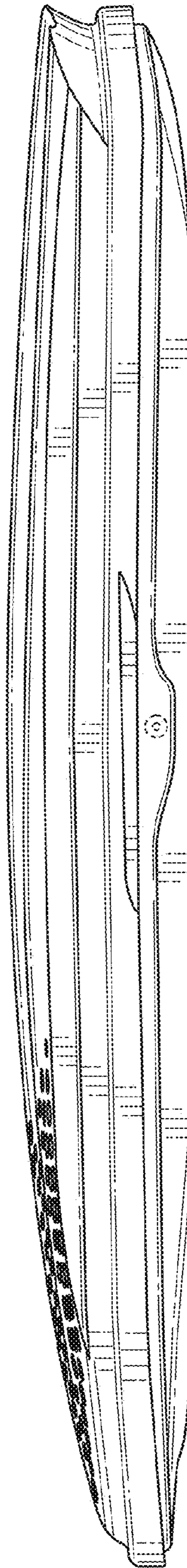


FIG. 4

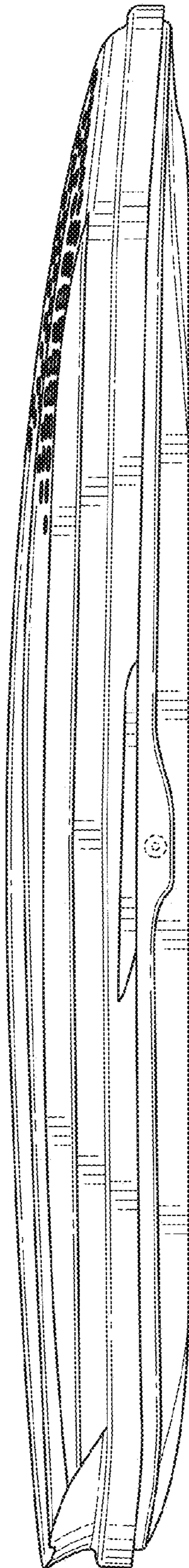


FIG. 5

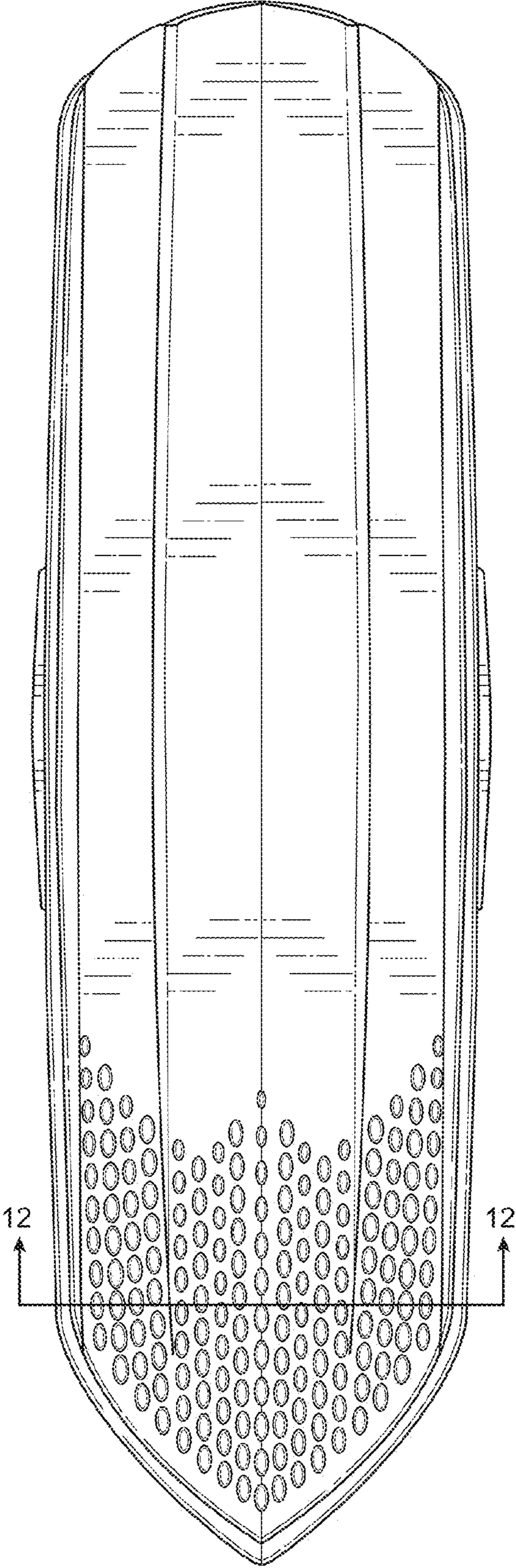


FIG. 6

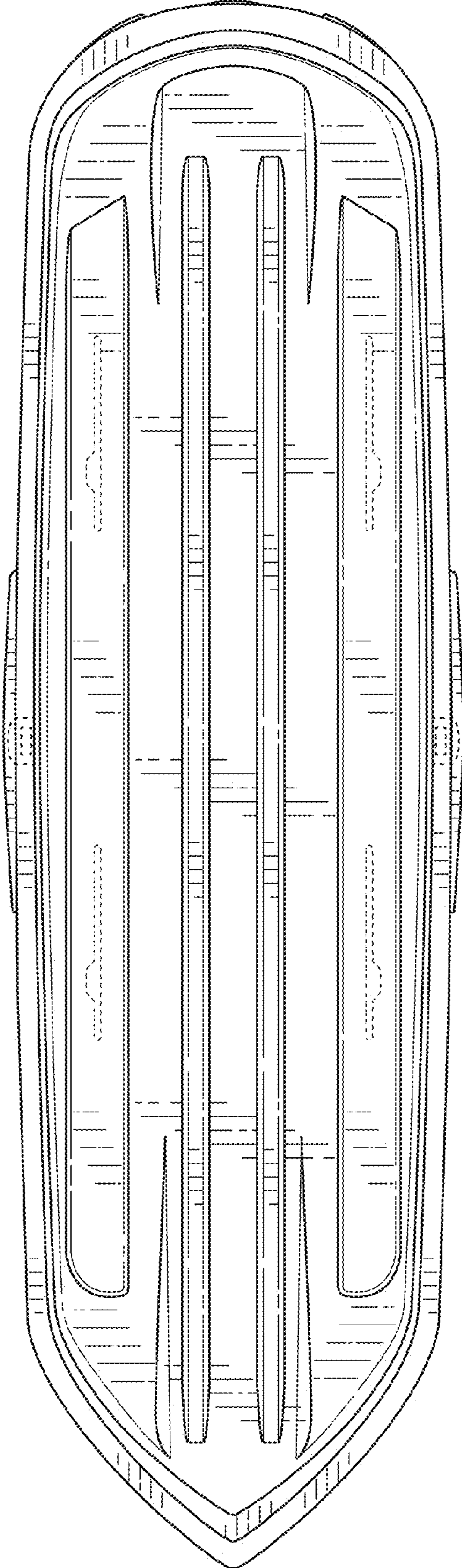


FIG. 7

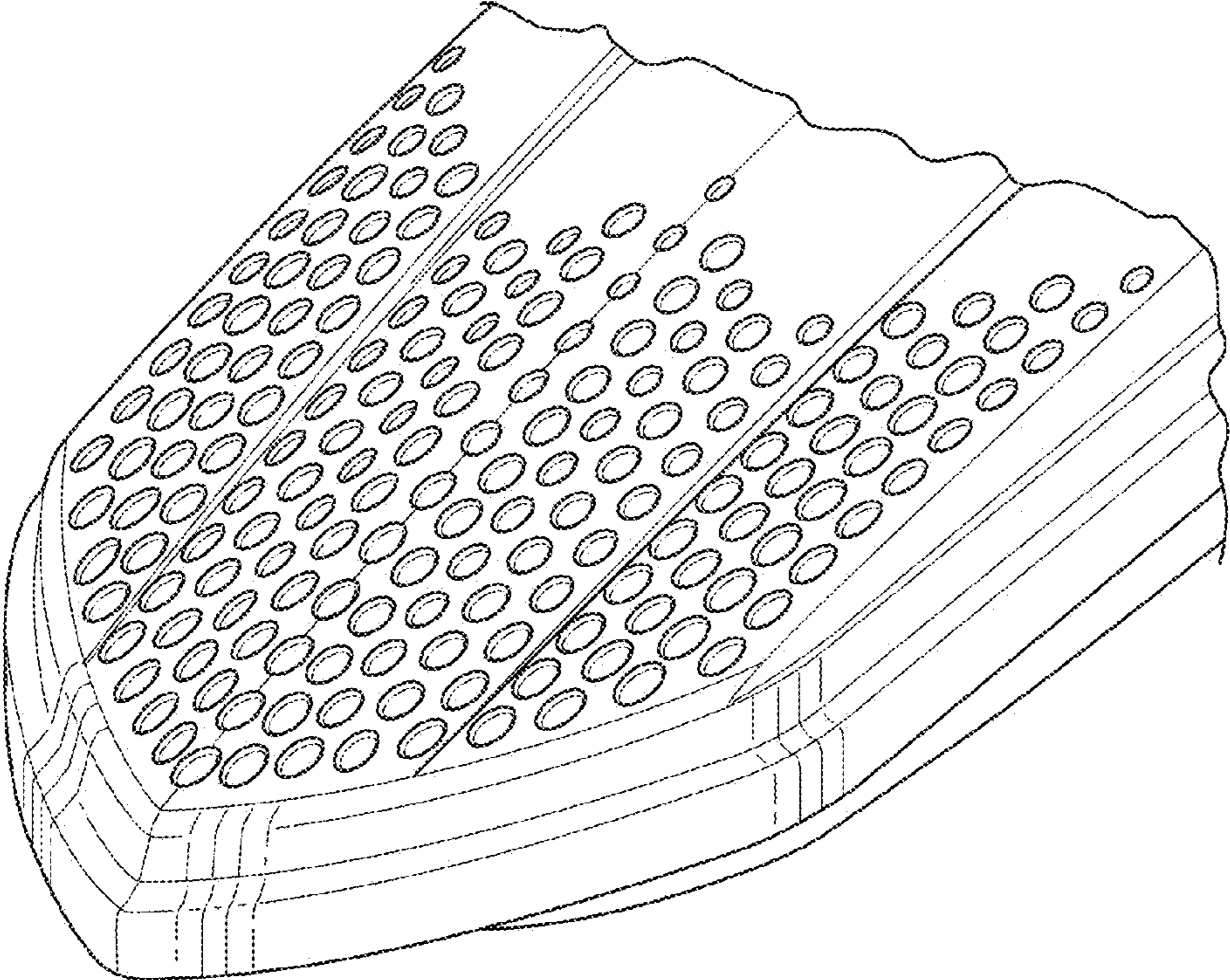


FIG. 8

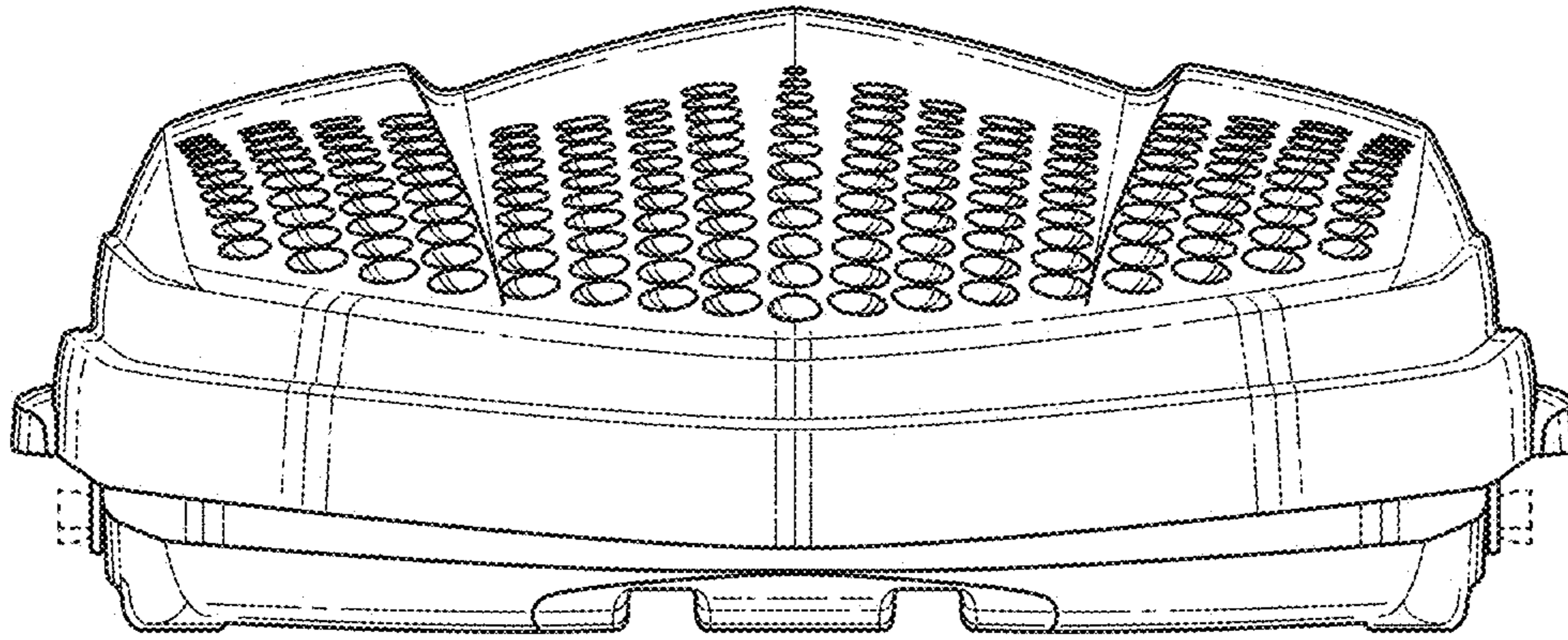


FIG. 9

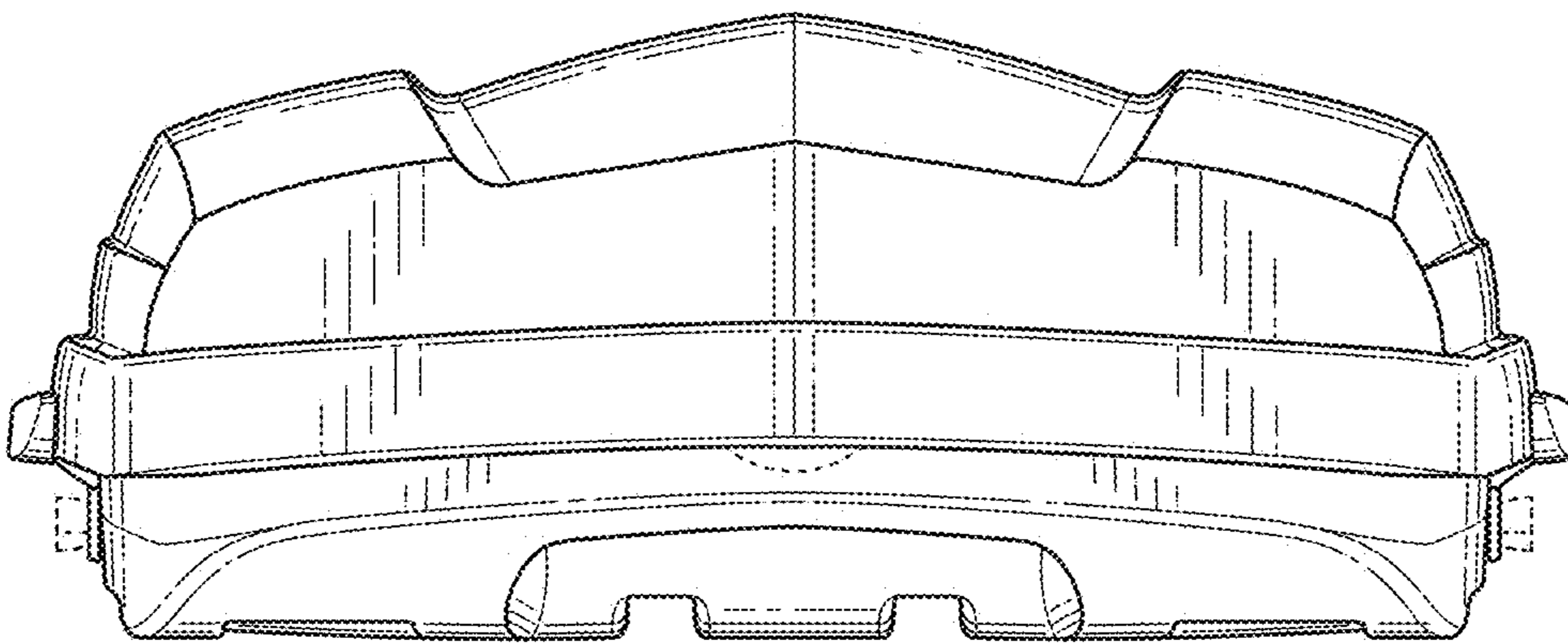


FIG. 10

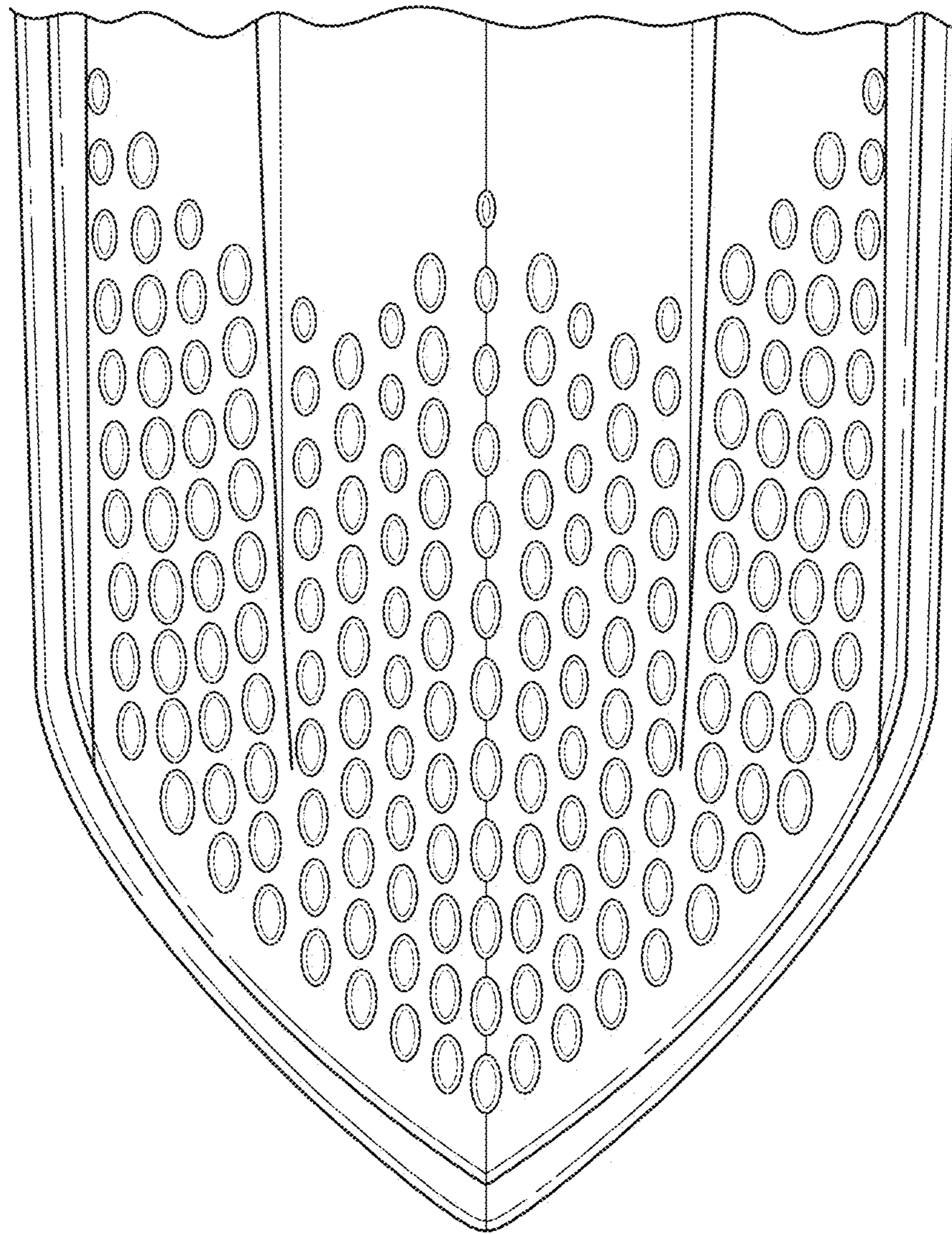


FIG. 11

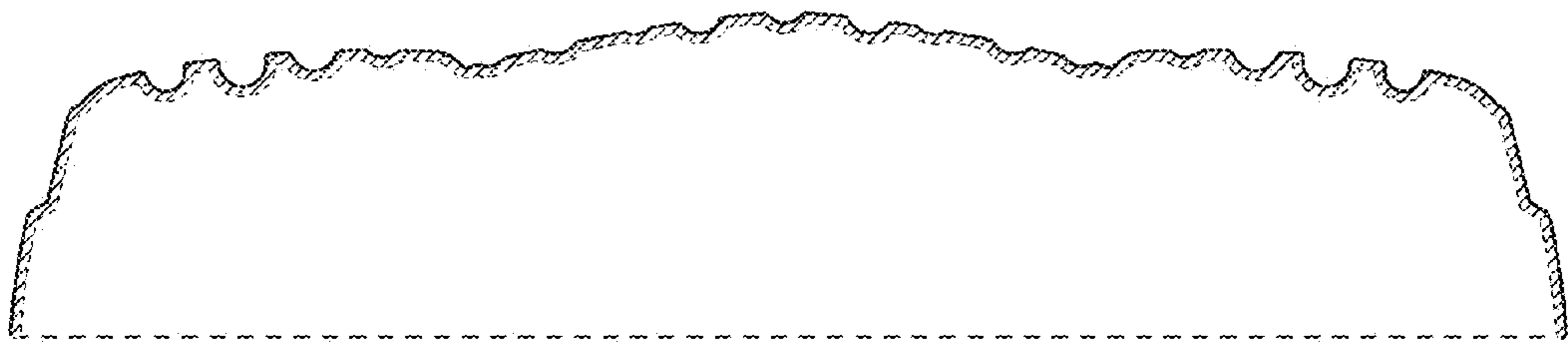


FIG. 12

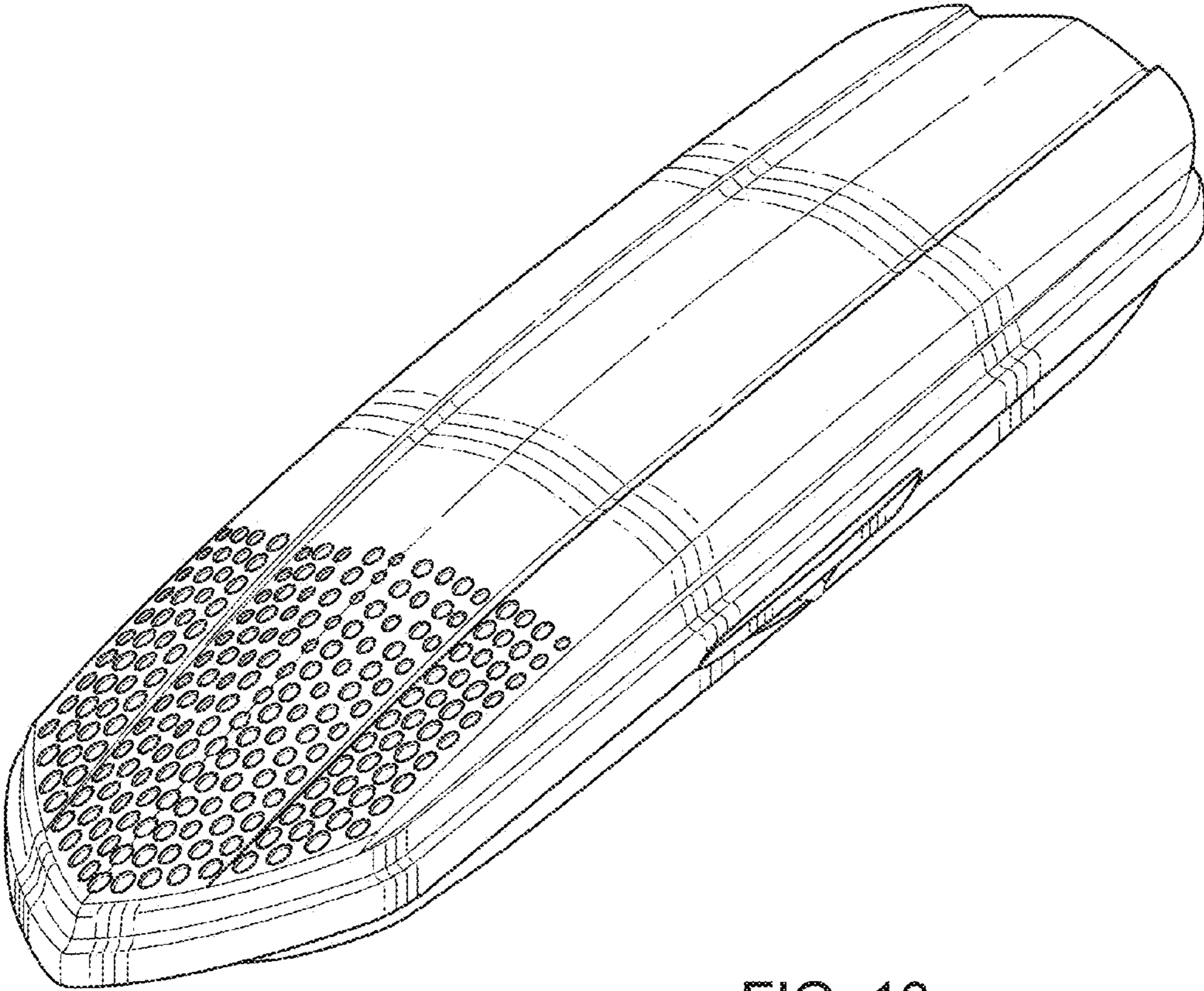


FIG. 13

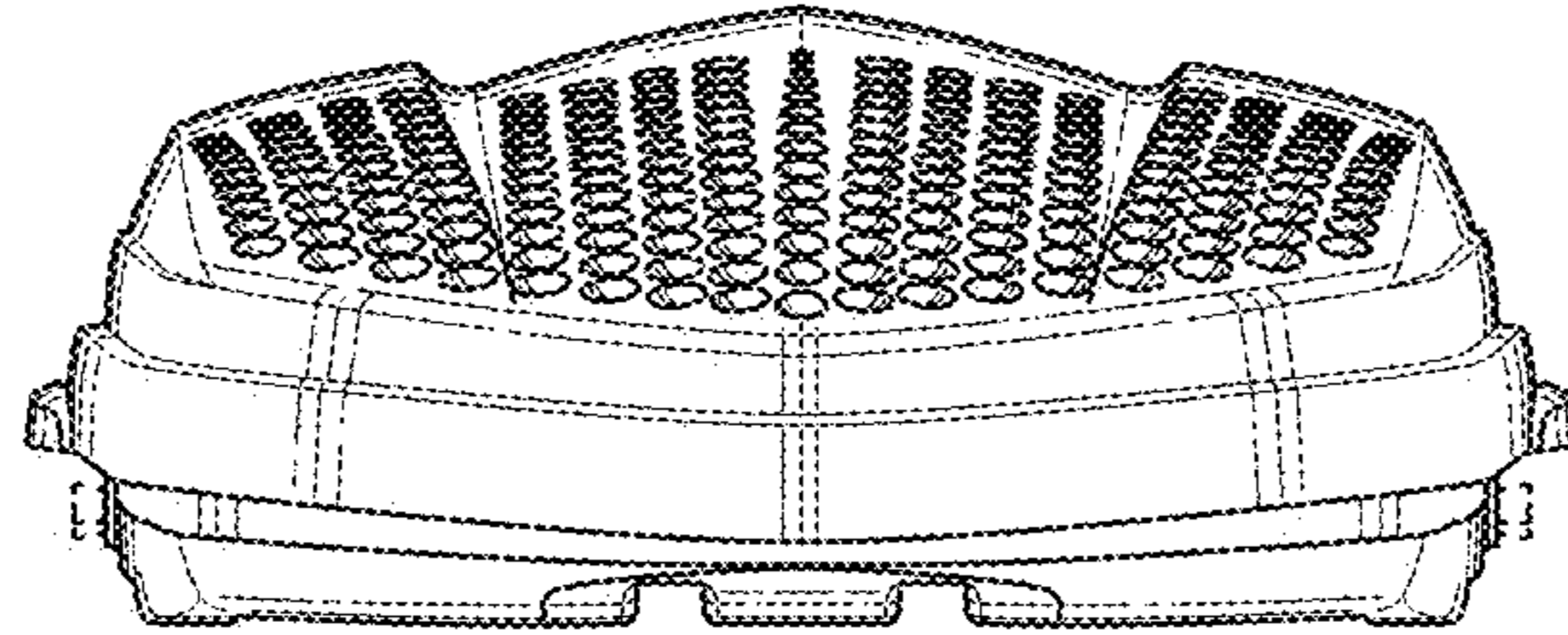


FIG. 14

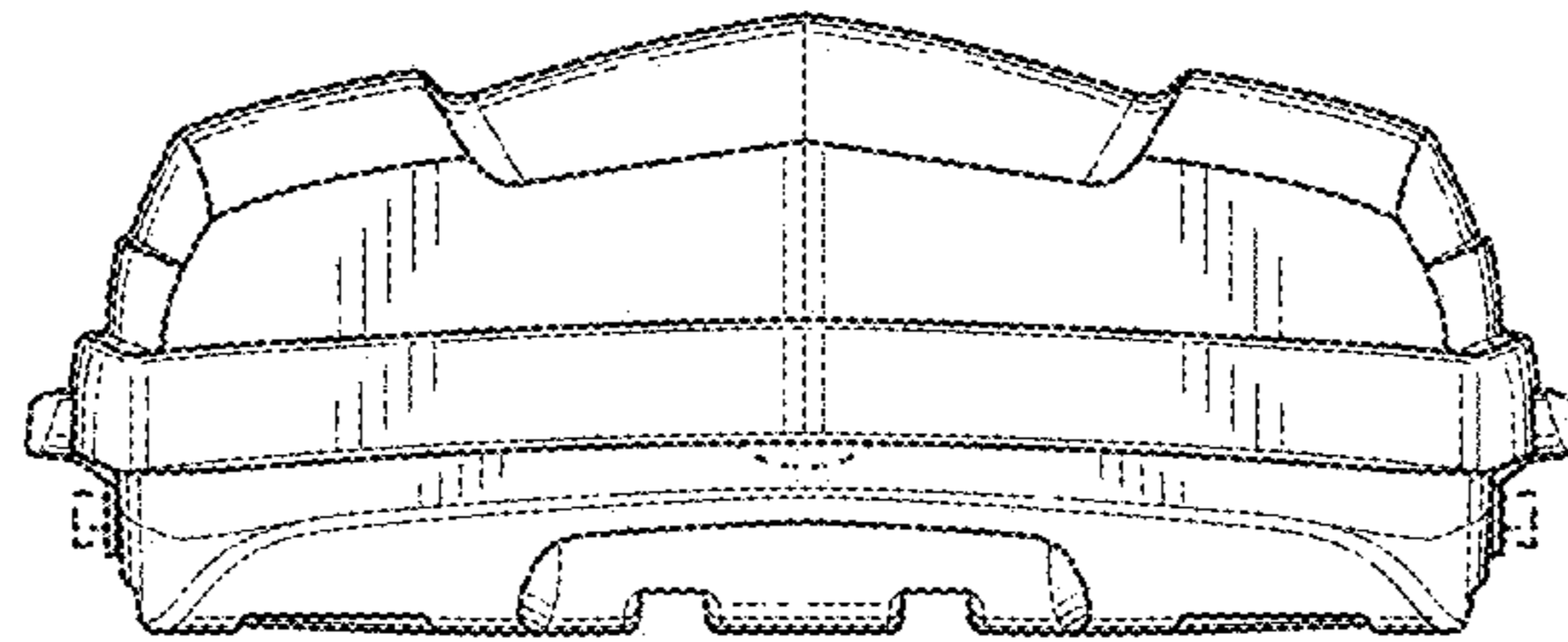


FIG. 15

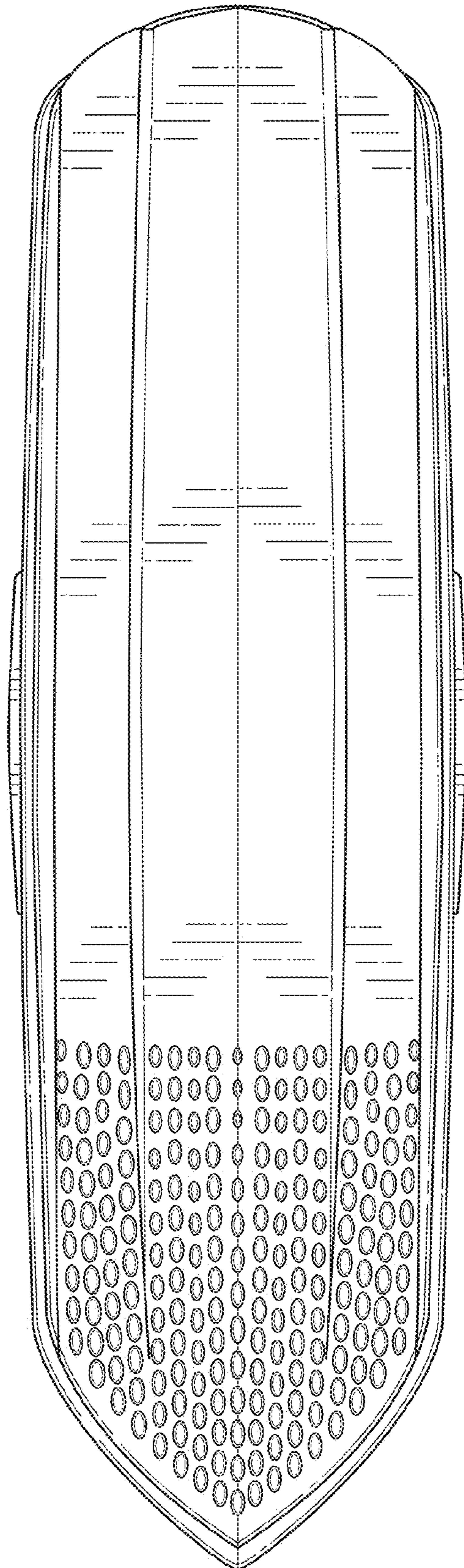


FIG. 16

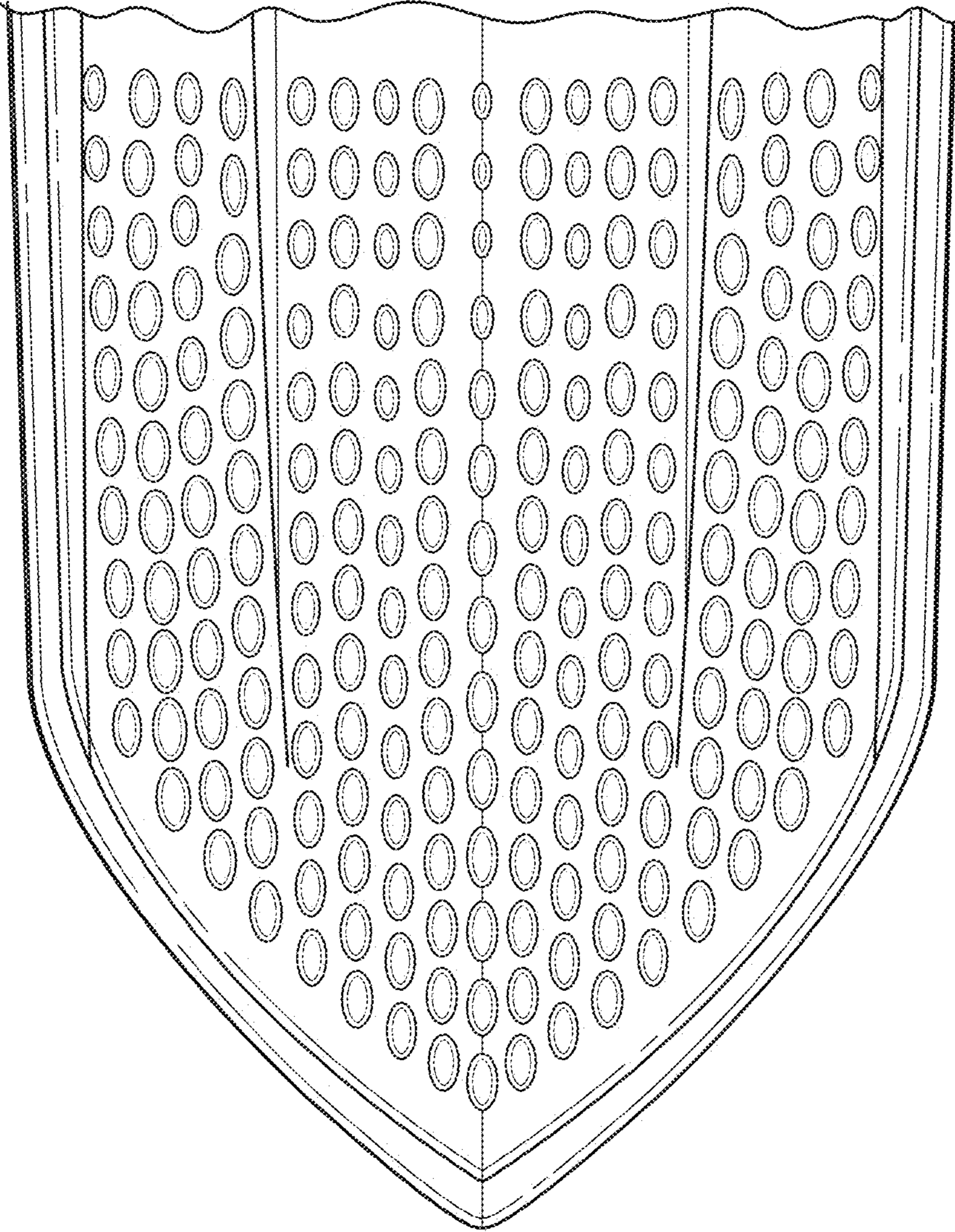


FIG. 17

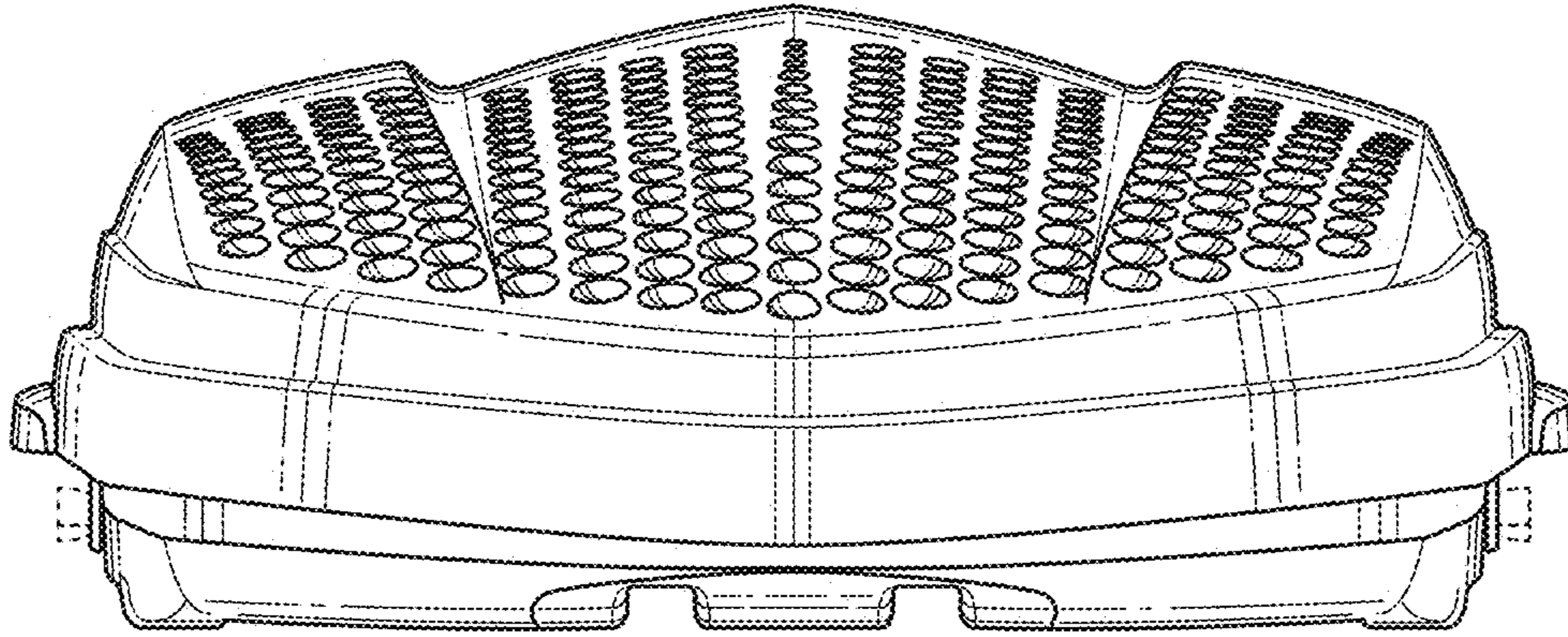


FIG. 18

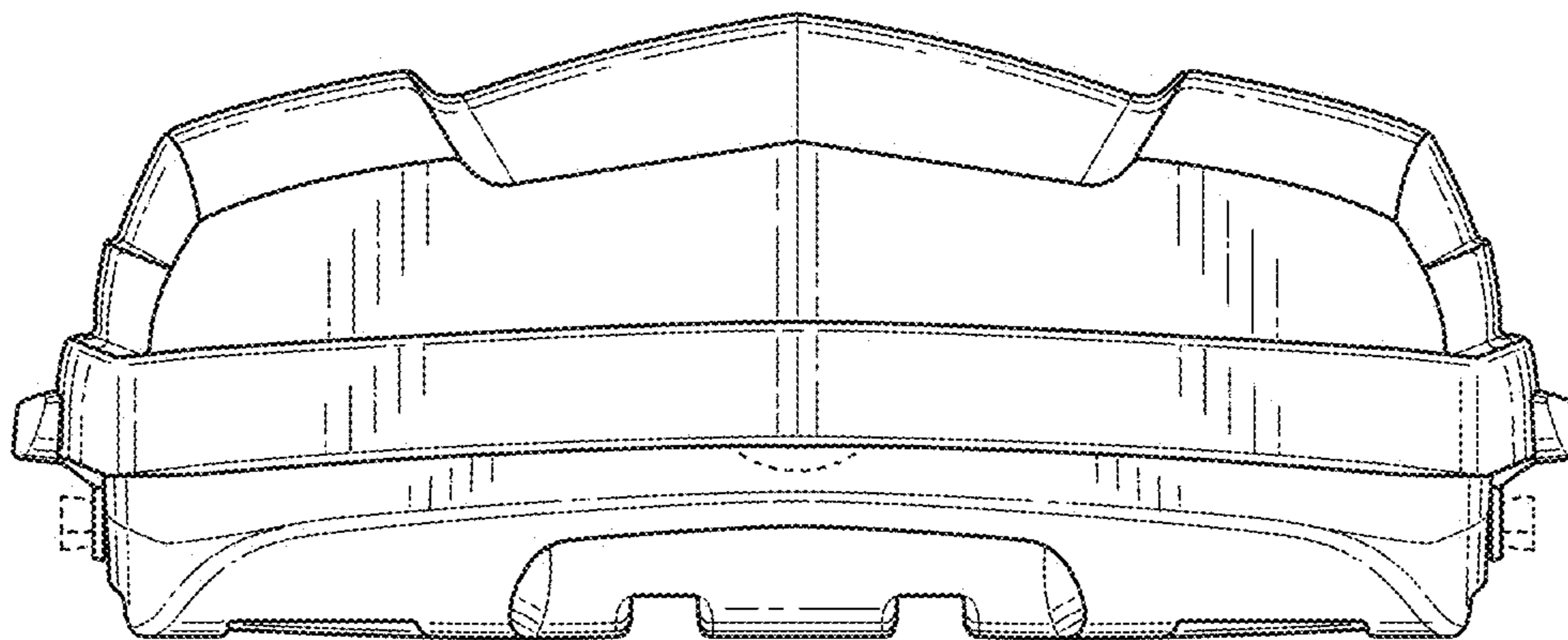


FIG. 19

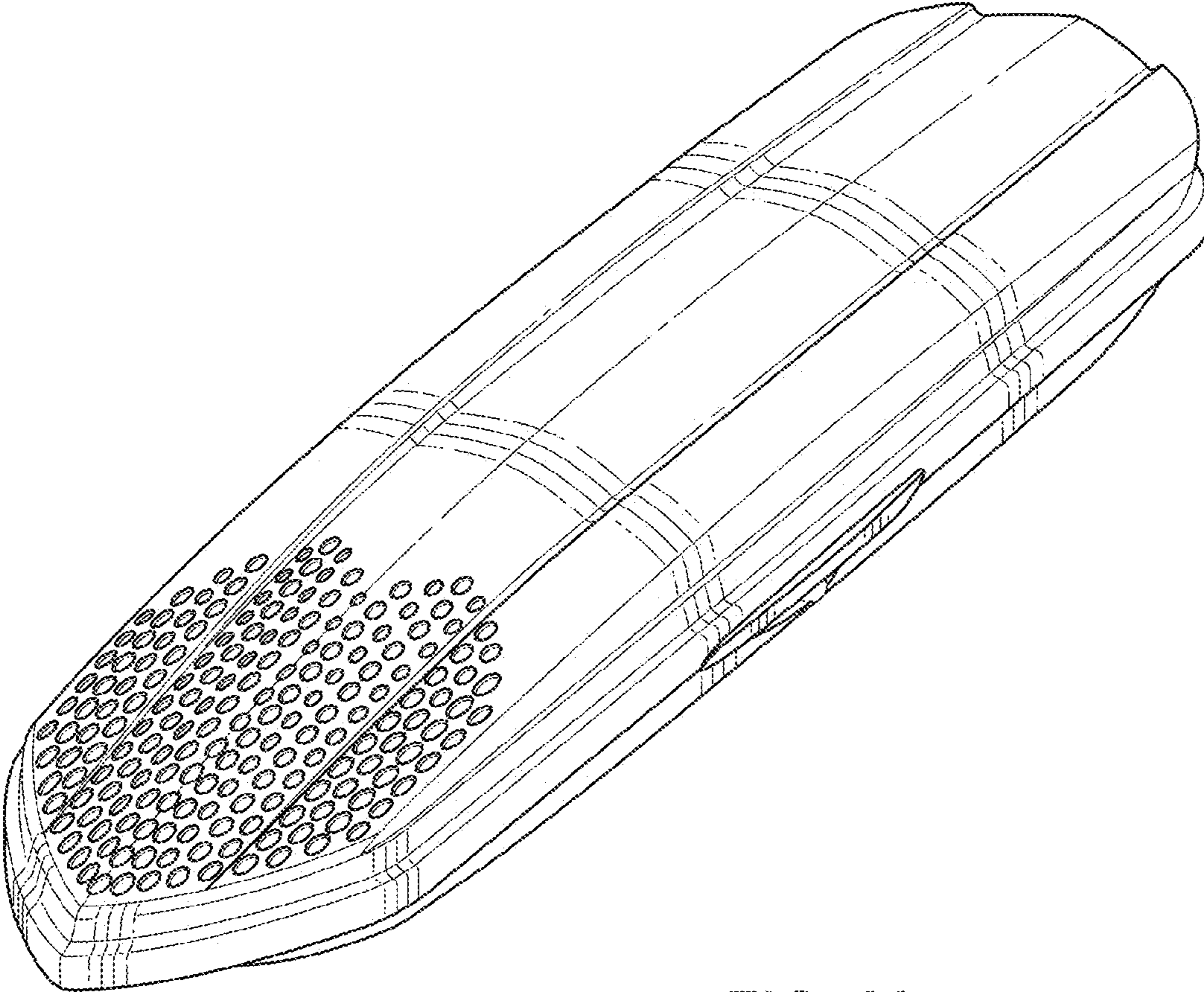


FIG. 20

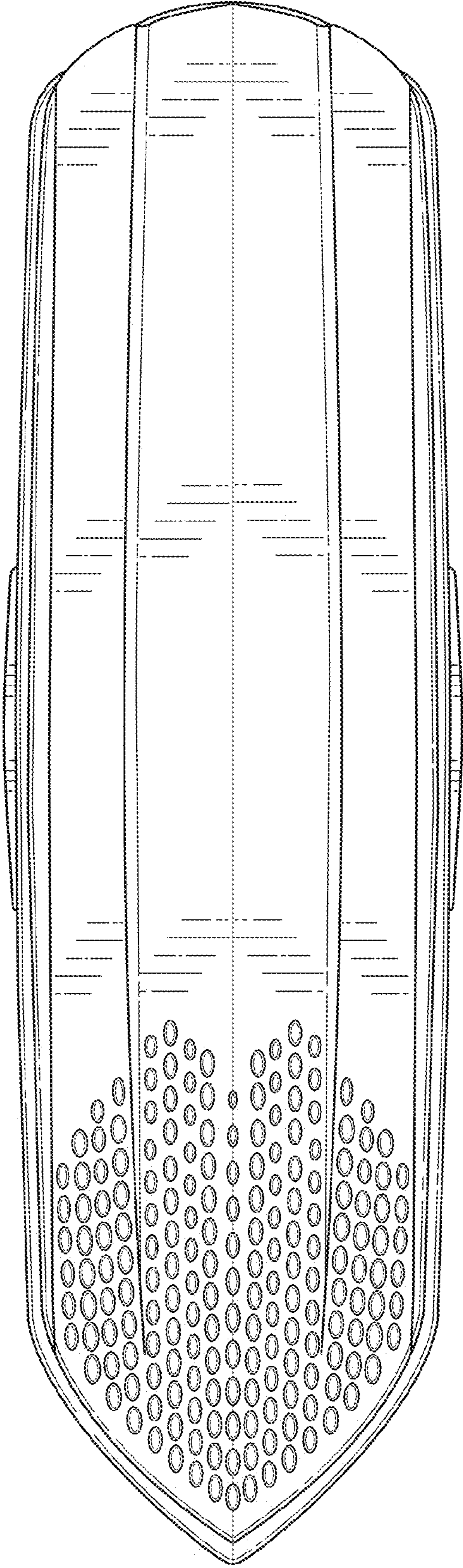


FIG. 21

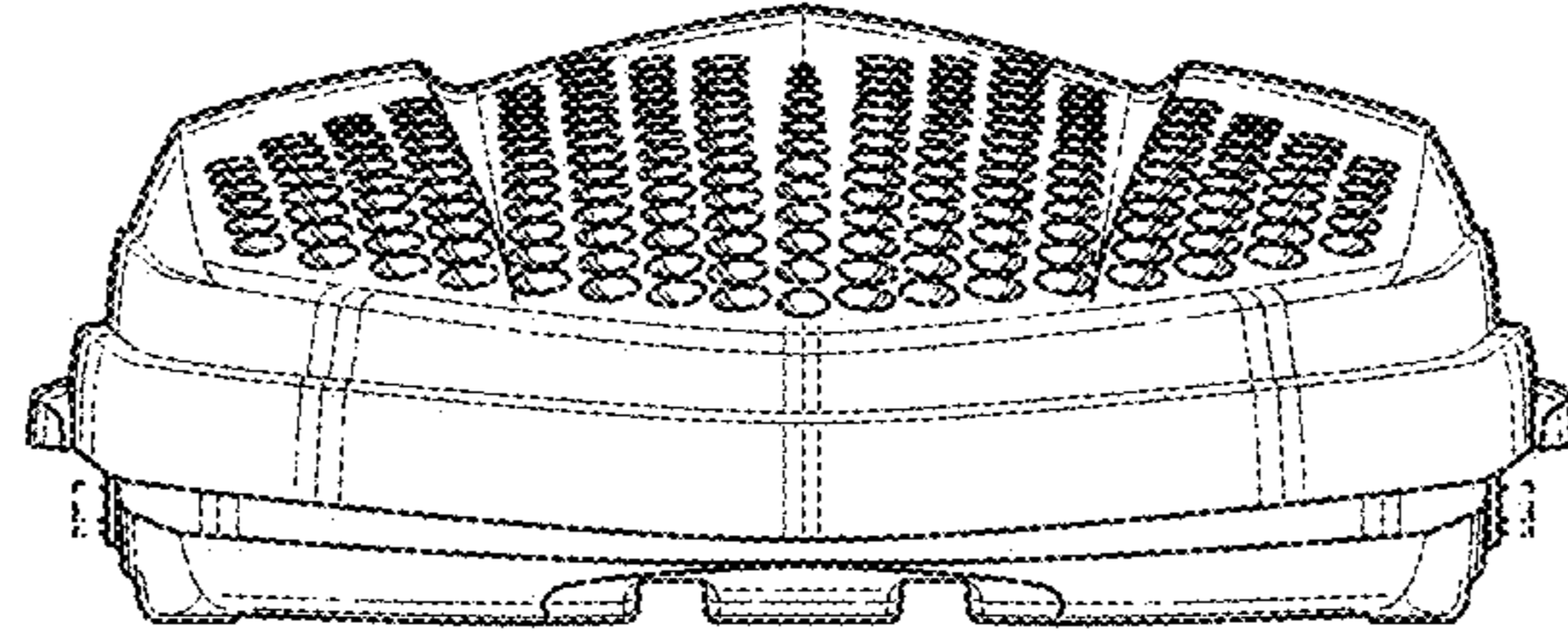


FIG. 22

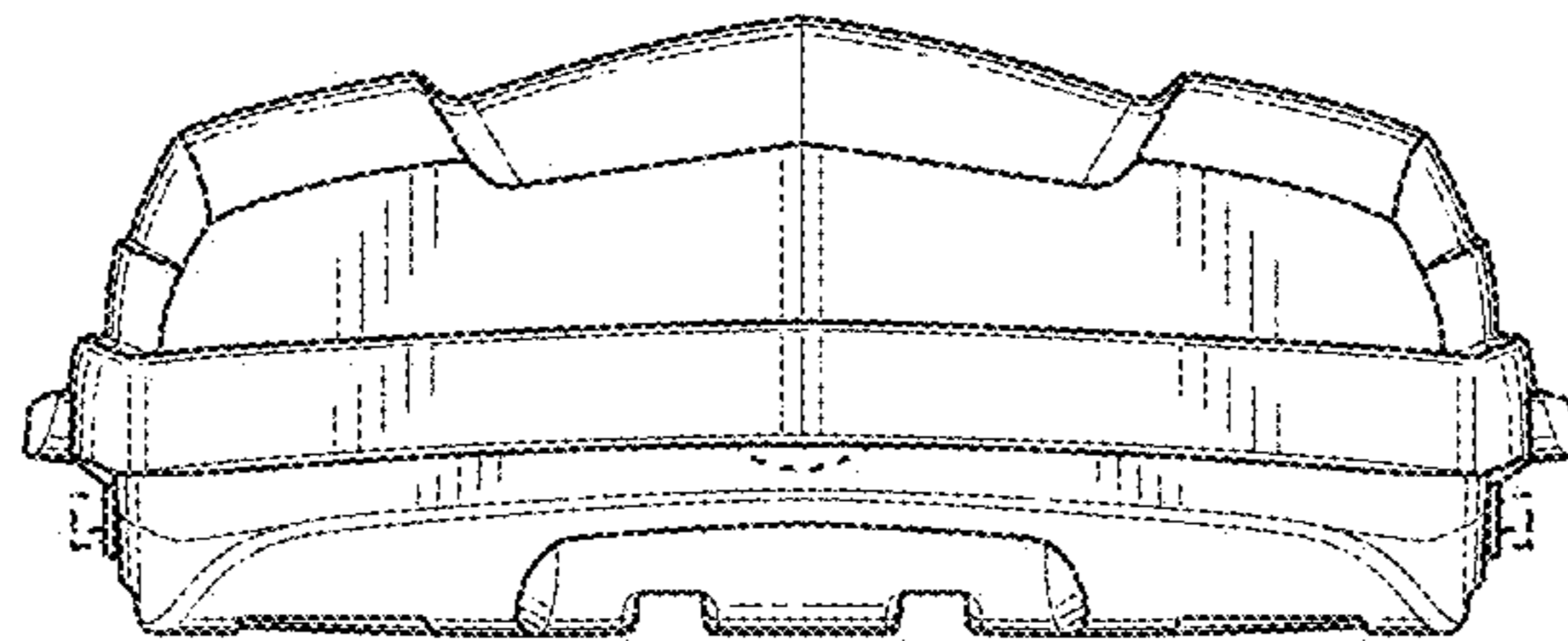


FIG. 23

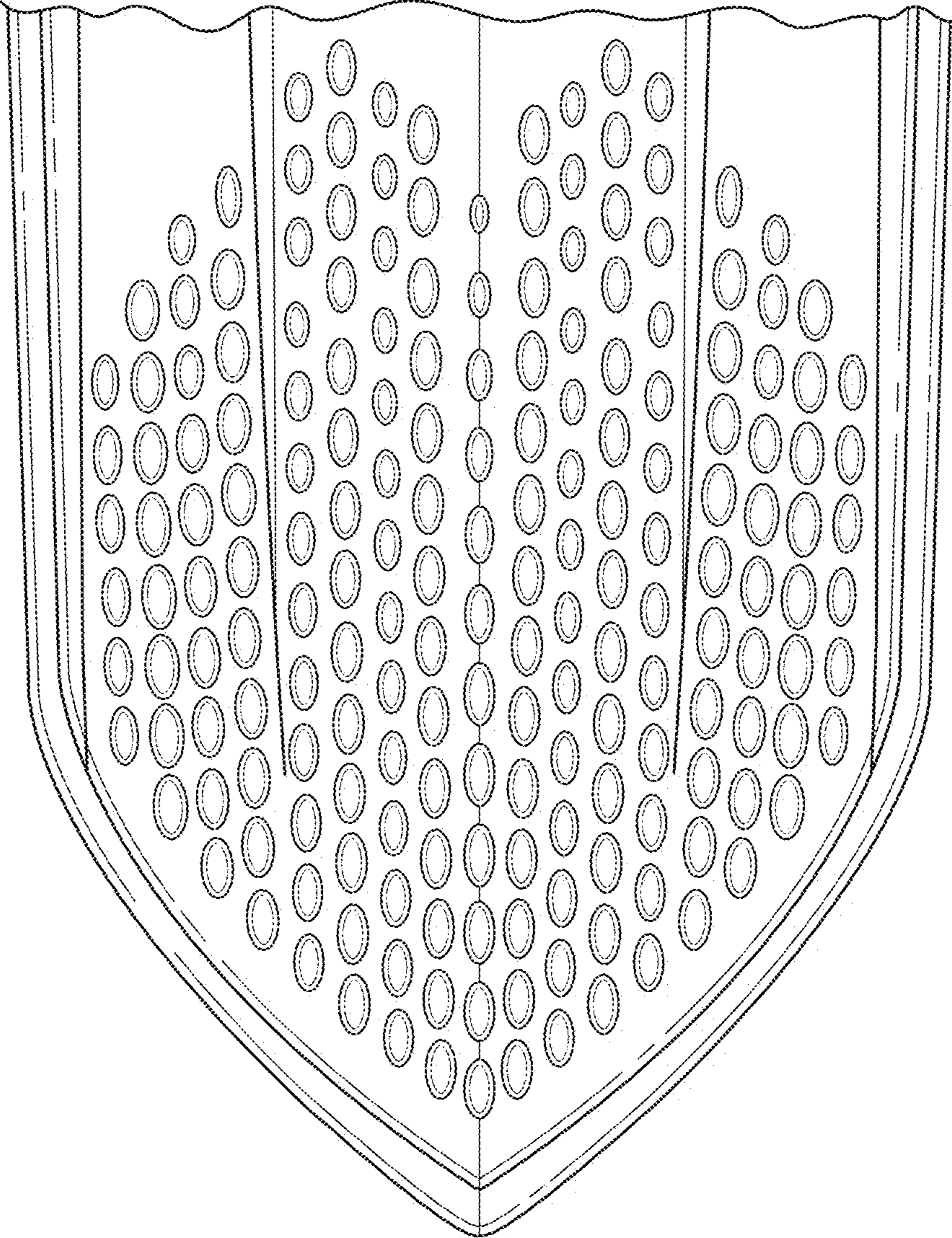


FIG. 24

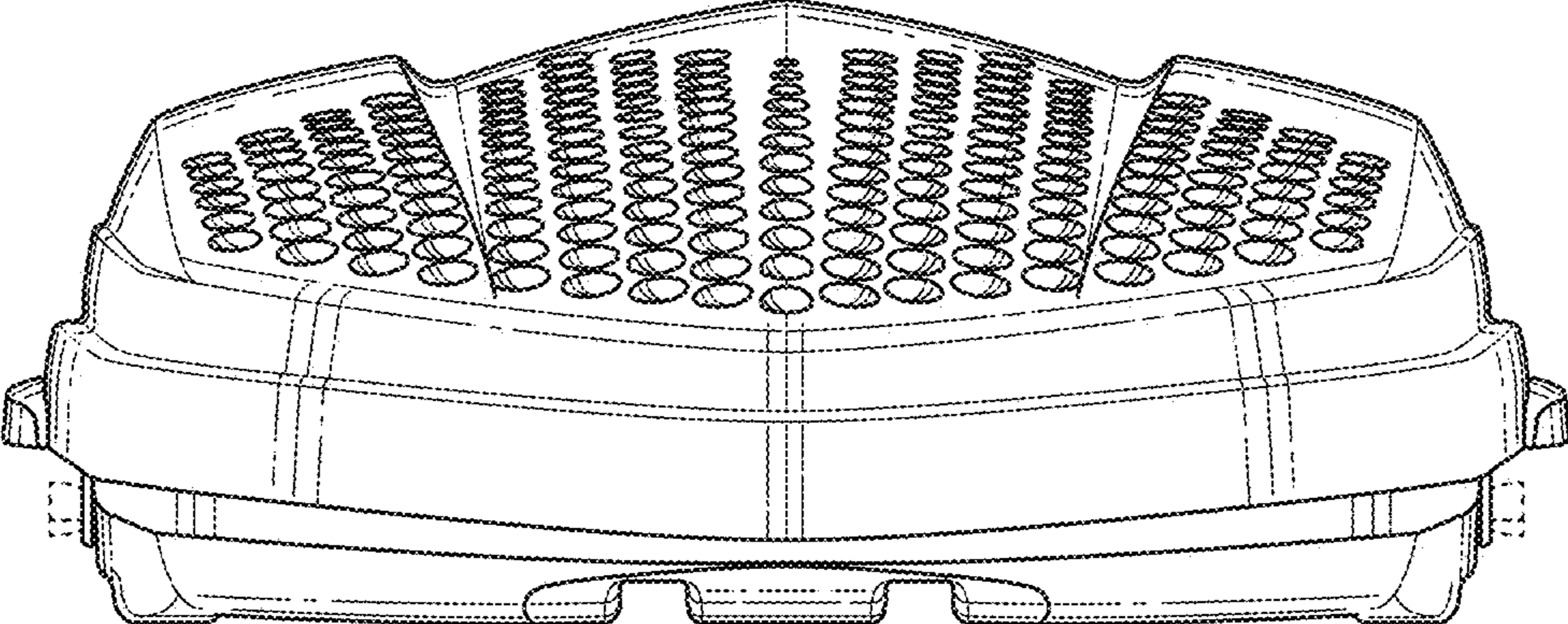


FIG. 25

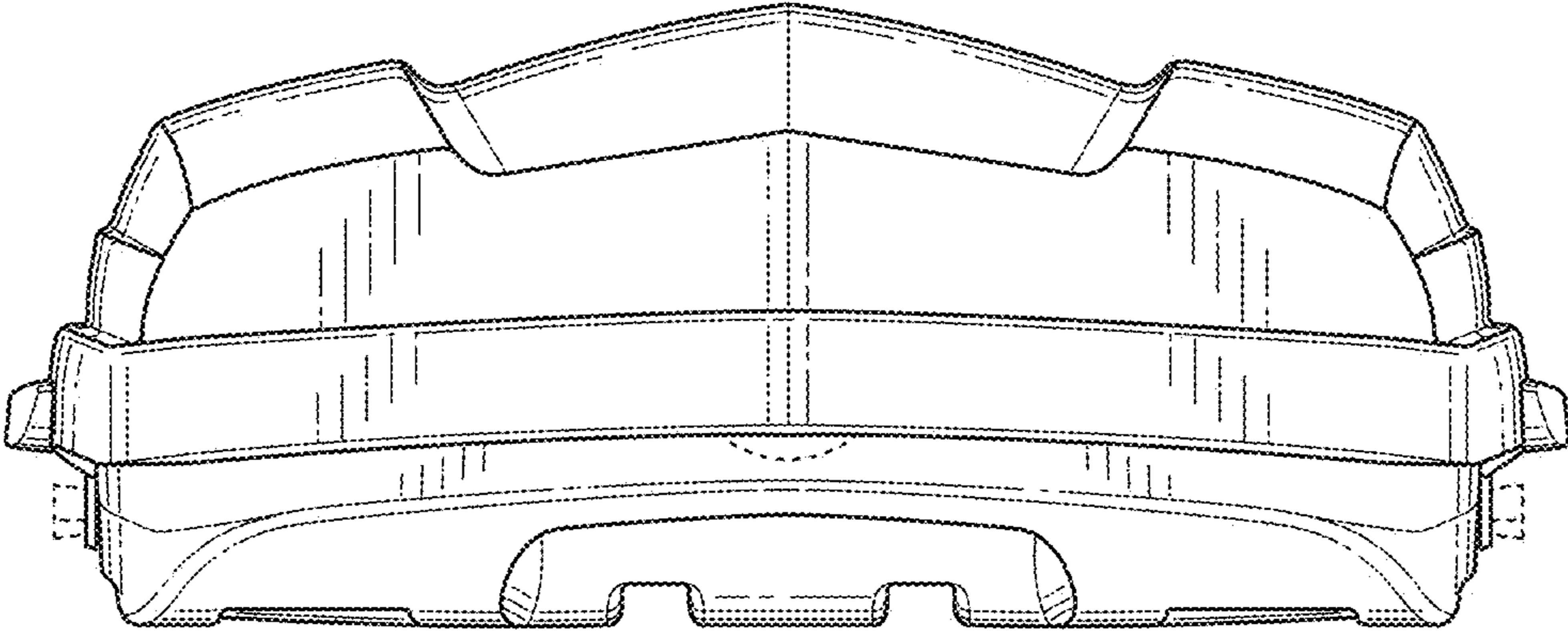


FIG. 26