



US00D722005S

(12) **United States Design Patent**  
**White et al.**

(10) **Patent No.:** **US D722,005 S**

(45) **Date of Patent:** **\*\* Feb. 3, 2015**

(54) **GOLF CART VENDING SERVICE UNIT**

(71) Applicant: **19th Hole Cart LLC**, Scottsdale, AZ  
(US)

(72) Inventors: **Michael White**, Phoenix, AZ (US);  
**Chris Buttenob**, Scottsdale, AZ (US);  
**Thomas Paul Muday**, Scottsdale, AZ  
(US)

(73) Assignee: **19th Hole Cart LLC**, Scottsdale, AZ  
(US)

(\*\*) Term: **14 Years**

(21) Appl. No.: **29/443,881**

(22) Filed: **Jan. 23, 2013**

(51) **LOC (10) Cl.** ..... **12-16**

(52) **U.S. Cl.**

USPC ..... **D12/400**

(58) **Field of Classification Search**

CPC .. A63B 55/004; A63B 55/005; B62B 3/1436;  
B62B 5/0013; B62B 9/142; E04H 15/00;  
E04H 15/003; E04H 15/005; E04H 15/006;  
E04H 15/02; E04H 15/18; E04H 15/20;  
E04H 15/24; E04H 15/26; E04H 15/42;  
E04H 15/54

USPC ..... D12/89, 183, 203, 314, 400, 420, 422;  
D28/36, 92; 280/5.3, 163, 164.2, 166,  
280/169, 291; 296/77.1, 83, 96.11, 110,  
296/210; 135/116, 121, 126

See application file for complete search history.

(56) **References Cited**

**U.S. PATENT DOCUMENTS**

D311,883 S \* 11/1990 Ollerman ..... D12/96  
D318,443 S \* 7/1991 Witt et al. .... D12/1

D343,596 S \* 1/1994 Witt et al. .... D12/96  
D400,626 S \* 11/1998 Deardorff et al. .... D21/433  
6,302,440 B1 \* 10/2001 Goodstein ..... 296/96.11  
6,926,334 B1 \* 8/2005 Diehm ..... 296/138  
2002/0084669 A1 \* 7/2002 Goodstein ..... 296/77.1  
2006/0273604 A1 \* 12/2006 Luthe ..... 296/22  
2007/0018485 A1 \* 1/2007 Jacobson ..... 296/210  
2014/0203584 A1 \* 7/2014 White et al. .... 296/24.36

\* cited by examiner

*Primary Examiner* — Caron D Veynar

*Assistant Examiner* — Natasha Vujcic

(74) *Attorney, Agent, or Firm* — Schmeiser, Olsen & Watts  
LLP

(57) **CLAIM**

We claim, the ornamental design for a golf cart vending  
service unit, as shown and described.

**DESCRIPTION**

FIG. 1 is a front perspective view of the golf cart vending  
service unit;

FIG. 2 is a rear perspective view of the golf cart vending  
service unit;

FIG. 3 is a left side view of the golf cart vending service unit;

FIG. 4 is a right side view of the golf cart vending service unit;

FIG. 5 is a rear view of the golf cart vending service unit;

FIG. 6 is a front view of the golf cart vending service unit;

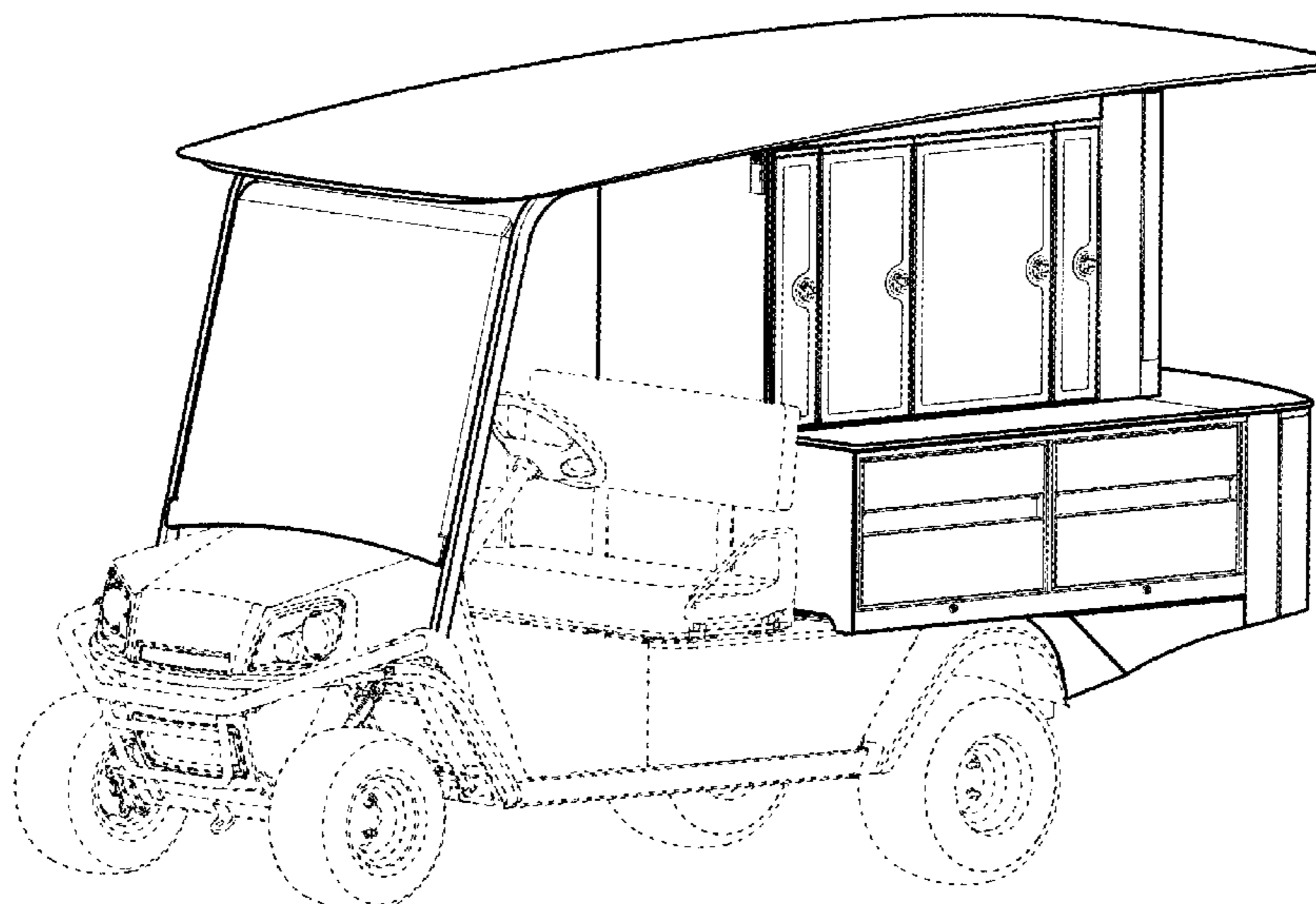
FIG. 7 is a top view of the golf cart vending service unit;

FIG. 8 is a bottom view of the golf cart vending service unit;  
and,

FIG. 9 is an alternate bottom view of the golf cart vending  
machine unit without the car.

The broken lines in the drawings illustrate portions of the golf  
cart vending service unit which form no part of the claimed  
design.

**1 Claim, 9 Drawing Sheets**



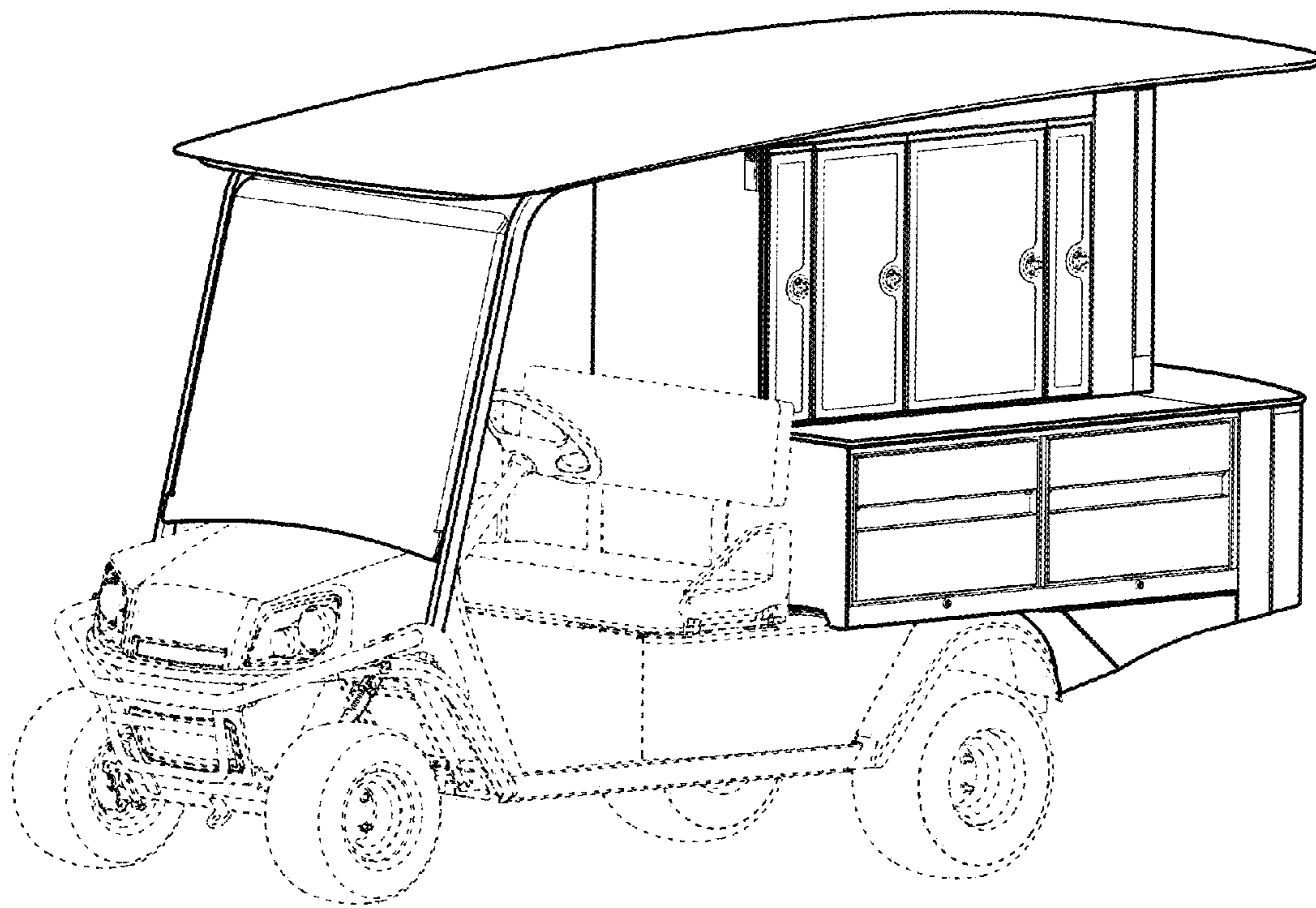


FIG. 1

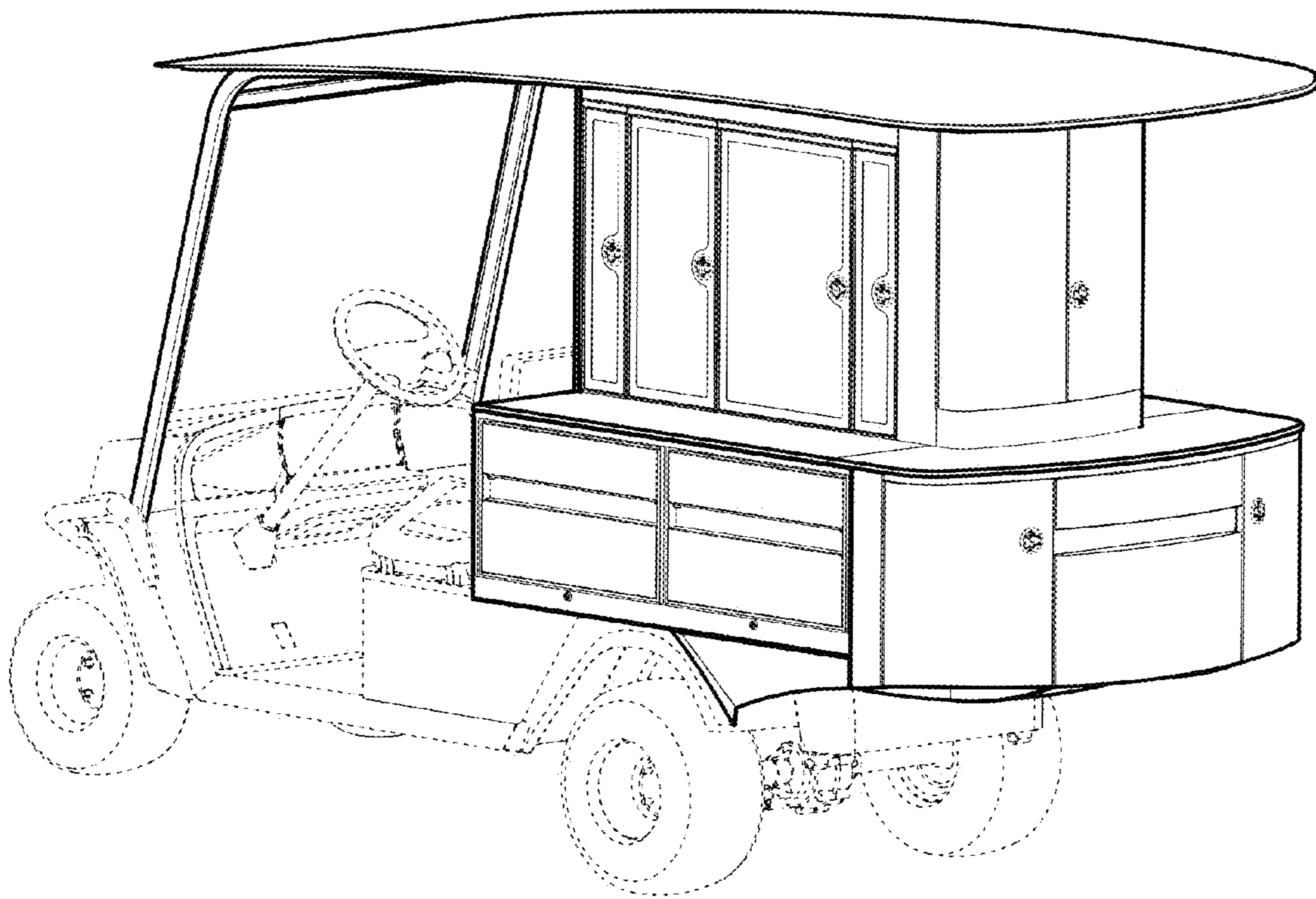


FIG. 2

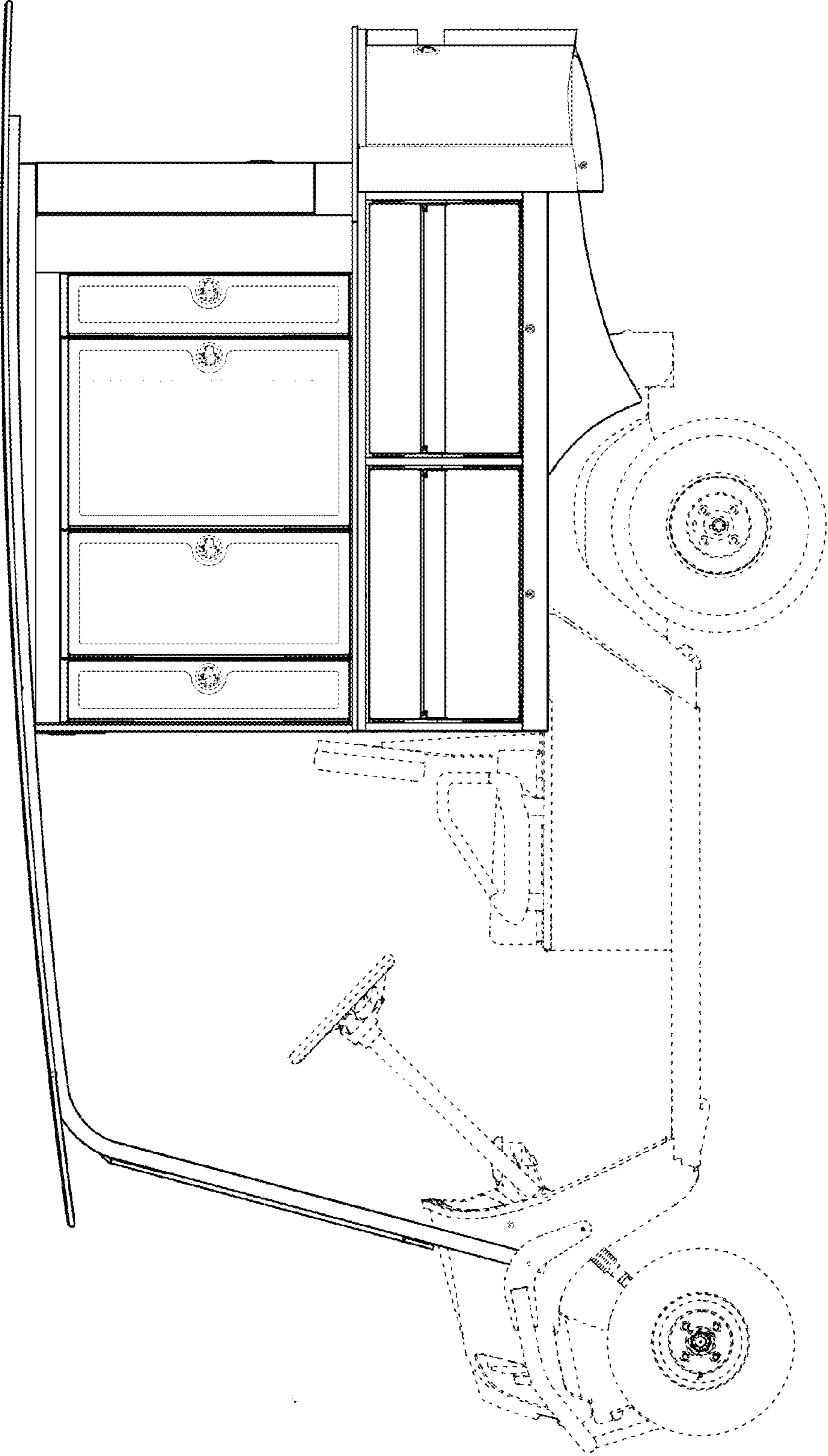


FIG. 3

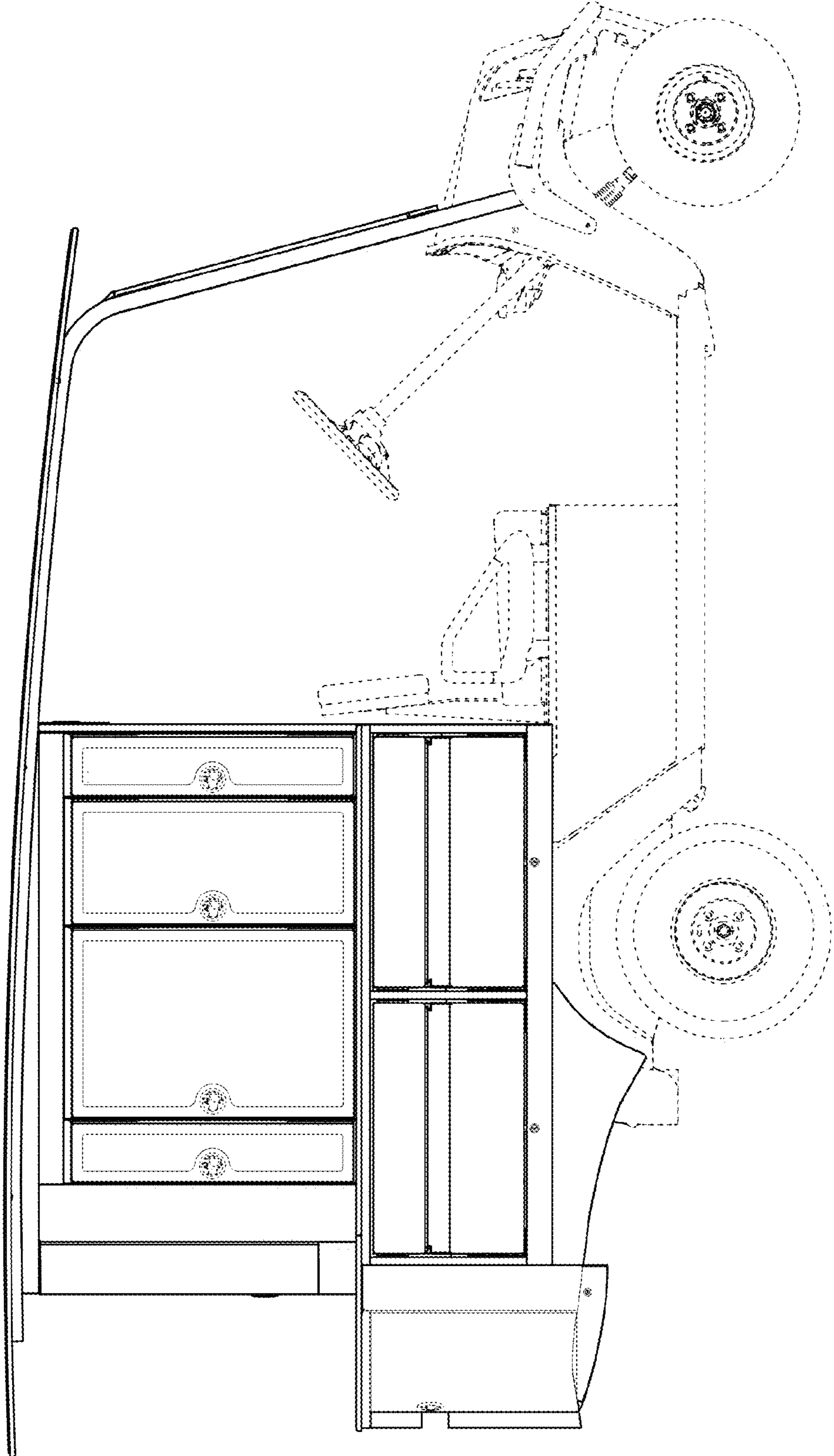


FIG. 4

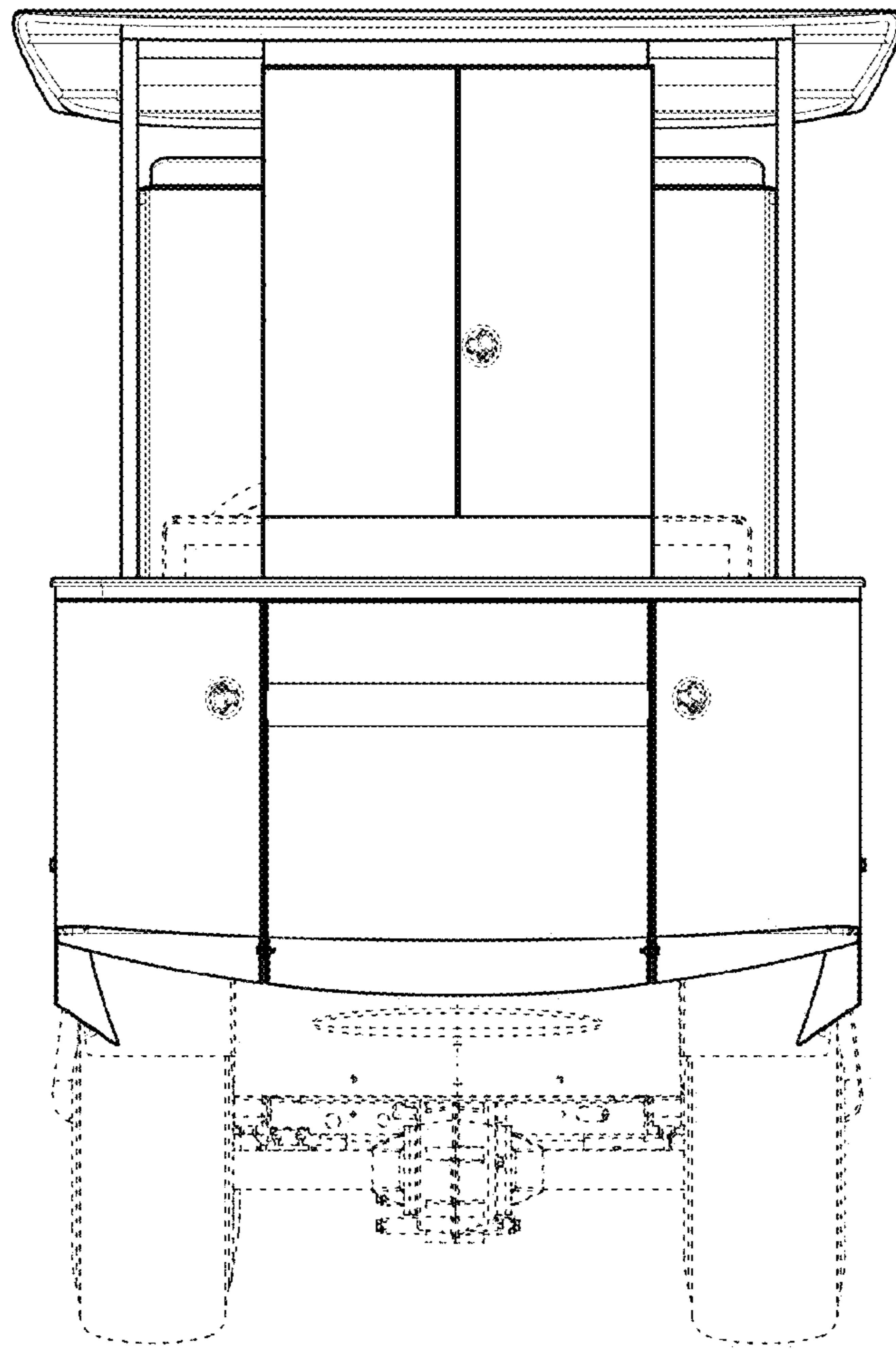


FIG. 5

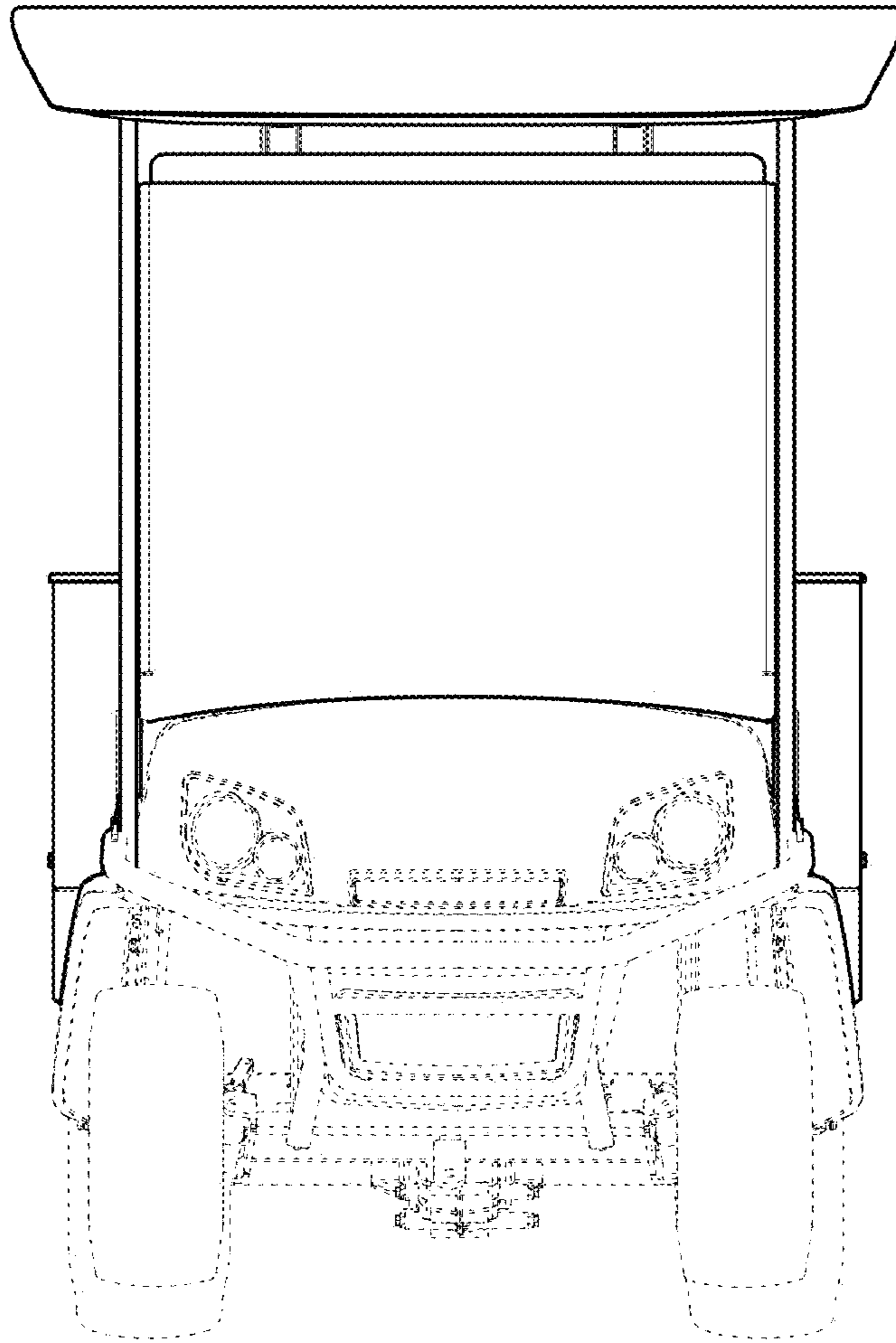


FIG. 6

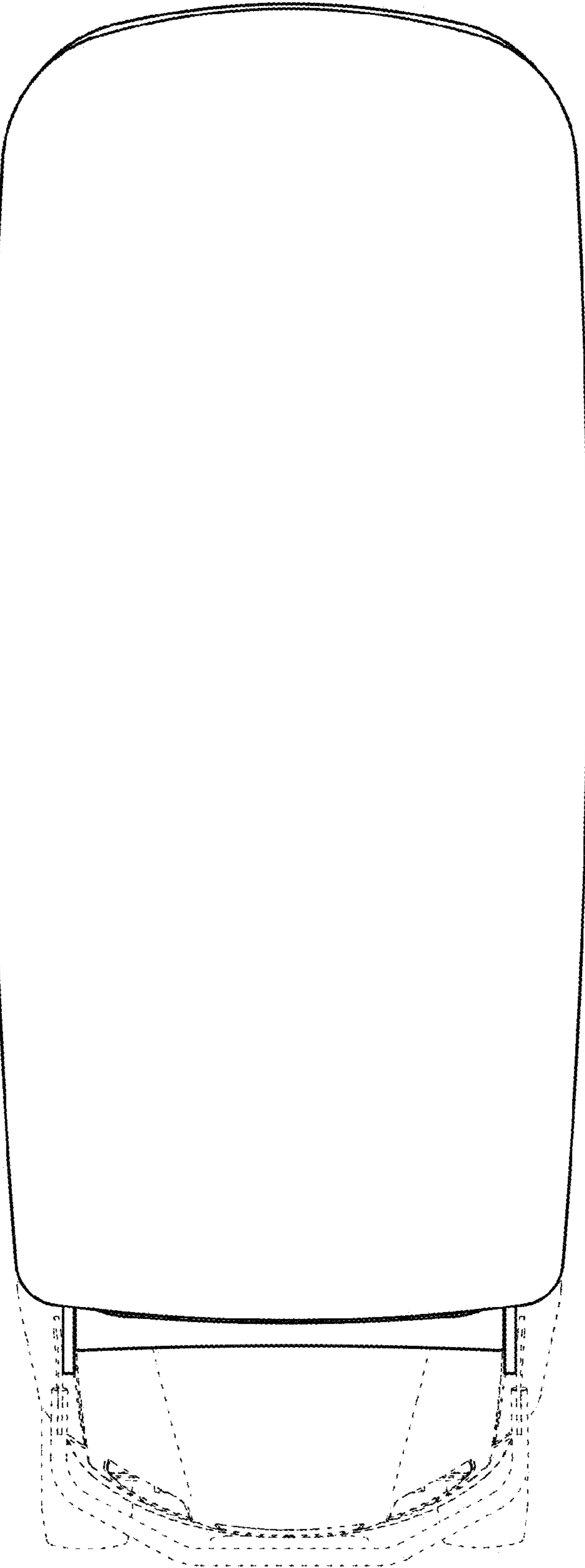


FIG. 7



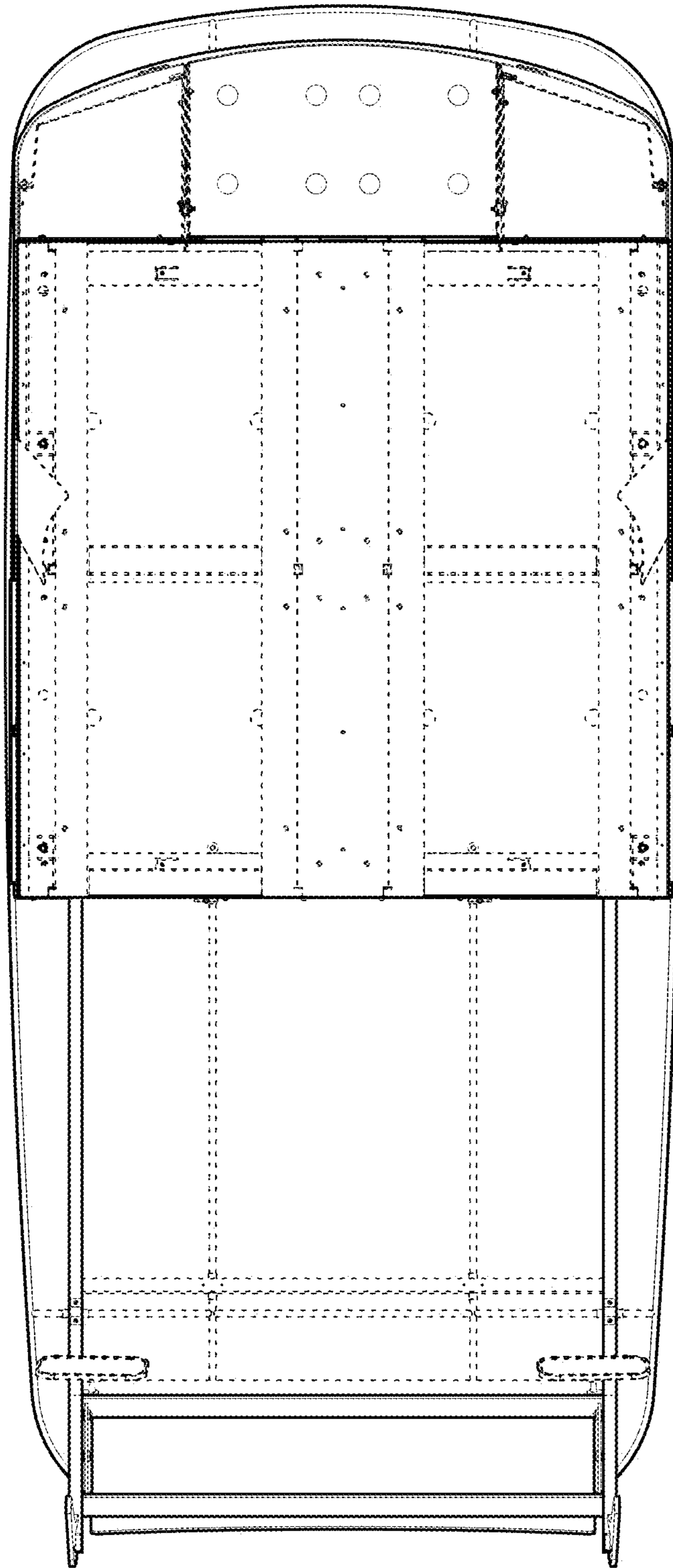


FIG. 8

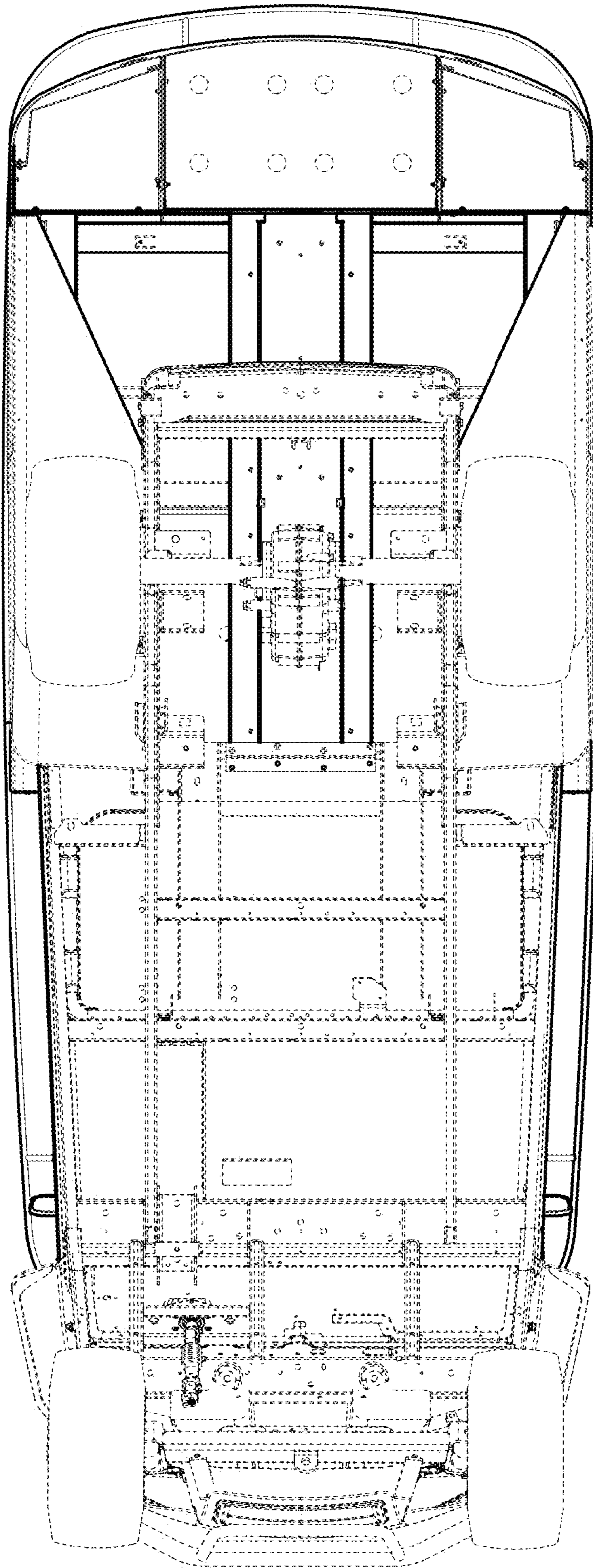


FIG. 9