



US00D722004S

(12) **United States Design Patent**  
**Kanczuzewski et al.**

(10) **Patent No.:** **US D722,004 S**  
(45) **Date of Patent:** **\*\* Feb. 3, 2015**

(54) **CARGO RESTRAINT STRAP**  
(71) Applicant: **Logistick, Inc.**, South Bend, IN (US)  
(72) Inventors: **Nicholas Kanczuzewski**, Mishawaka, IN (US); **John E. Townsend**, Paw Paw, IN (US)  
(73) Assignee: **Logistick, Inc.**, South Bend, IN (US)  
(\*\*) Term: **14 Years**

2,912,939 A 11/1959 Miner, Jr. et al.  
2,980,037 A 4/1961 Elsner  
2,993,708 A 7/1961 Holman, Jr.  
3,177,007 A 4/1965 Oren  
3,344,750 A 10/1967 Kostrewa  
3,559,591 A 2/1971 Breen et al.  
3,590,746 A 7/1971 Gibson  
3,712,663 A 1/1973 Laven  
D232,821 S 9/1974 Fry  
3,836,174 A 9/1974 Holman  
3,995,565 A 12/1976 Kersey

(Continued)

(21) Appl. No.: **29/435,879**

FOREIGN PATENT DOCUMENTS

(22) Filed: **Oct. 30, 2012**

GB 1209255 10/1970

(51) **LOC (10) Cl.** ..... **12-06**

OTHER PUBLICATIONS

(52) **U.S. Cl.**  
USPC ..... **D12/223**

Logistick Disposable Cargo Strap Advertisement (2000).  
(Continued)

(58) **Field of Classification Search**  
USPC ..... D8/349, 354, 382, 355, 356, 373, 380;  
D12/223, 400; 410/44, 46, 96,  
410/121.144, 152

*Primary Examiner* — Sheryl Lane  
(74) *Attorney, Agent, or Firm* — Barnes & Thornburg LLP

See application file for complete search history.

(57) **CLAIM**

(56) **References Cited**

The ornamental design for a cargo restraint strap, as shown and described.

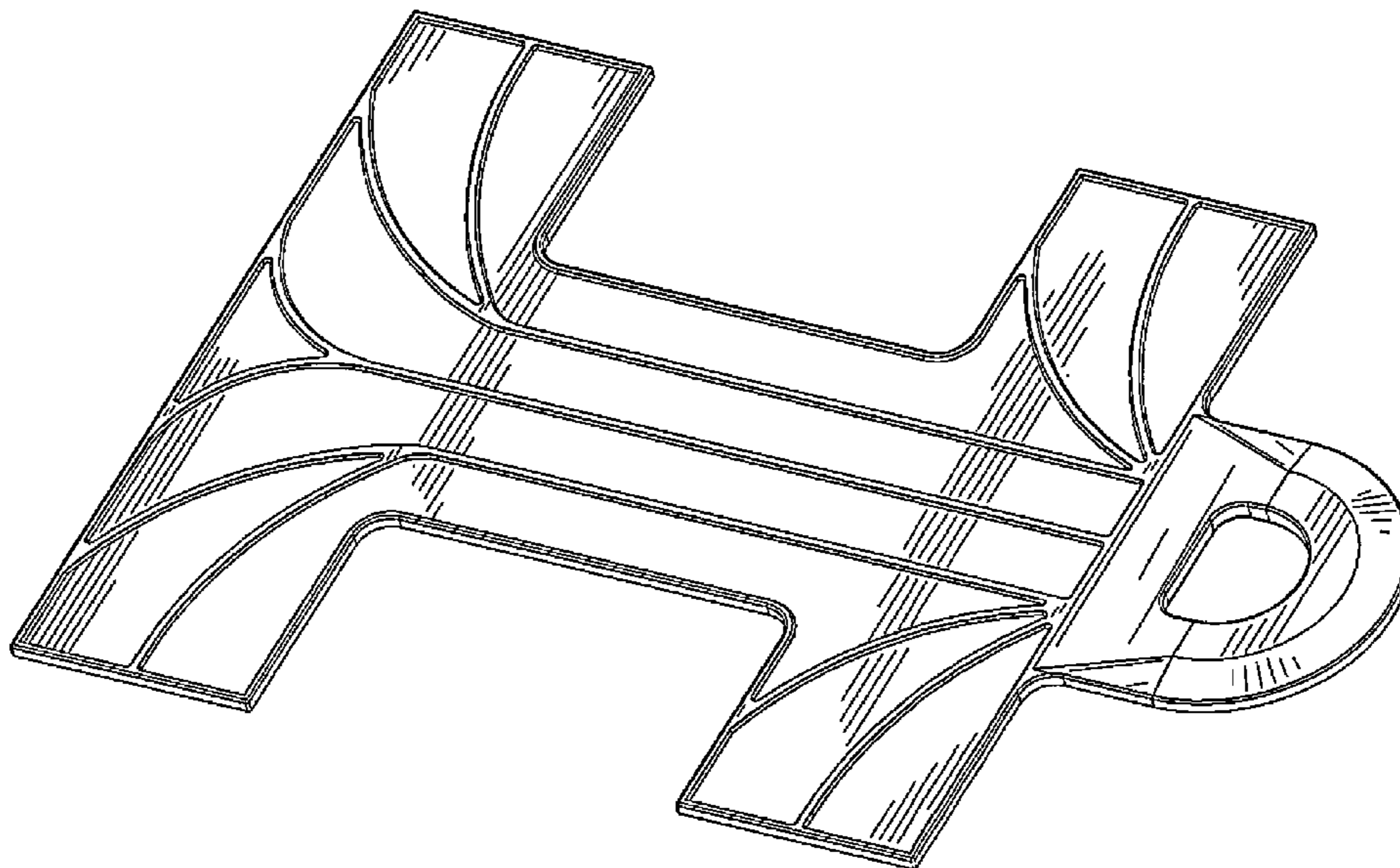
U.S. PATENT DOCUMENTS

969,002 A 8/1910 Teachout  
1,401,419 A 12/1921 McNally  
1,951,660 A 3/1934 Klaudt  
2,124,082 A 7/1938 Reifer  
2,414,160 A 1/1947 Moon  
2,464,080 A 3/1949 Hankins  
2,467,681 A 4/1949 McKinney  
2,468,101 A 4/1949 Nampa  
2,468,104 A 4/1949 Phillips  
2,697,631 A 12/1954 Miller  
2,752,864 A 7/1956 McDougal, Sr. et al.  
2,766,704 A 10/1956 McMahon  
2,845,245 A 5/1958 Gray et al.  
2,905,107 A 9/1959 Nichol

**DESCRIPTION**

FIG. 1 is a perspective view of the top of an ornamental design for a cargo restraint strap;  
FIG. 2 is a front view of the strap of FIG. 1;  
FIG. 3 is a rear view of the strap of FIG. 1;  
FIG. 4 is a view of a first side of the strap of FIG. 1;  
FIG. 5 is a view of the second side of the strap of FIG. 1;  
FIG. 6 is a top view of the strap of FIG. 1; and,  
FIG. 7 is a bottom view of the strap of FIG. 1.

**1 Claim, 2 Drawing Sheets**



(56)

References Cited

U.S. PATENT DOCUMENTS

4,026,508 A 5/1977 Ziegler  
 4,080,906 A 3/1978 Brown  
 D248,228 S 6/1978 Robertson  
 4,264,251 A 4/1981 Blatt  
 4,278,376 A 7/1981 Hunter  
 4,396,325 A 8/1983 Joice-Cavanagh  
 4,432,678 A 2/1984 Liebel  
 4,498,824 A 2/1985 Kinkle  
 4,616,757 A 10/1986 Hobson  
 4,700,918 A 10/1987 Andrasko, Jr.  
 4,735,468 A 4/1988 Taylor, Jr. et al.  
 4,756,498 A 7/1988 Frye  
 4,801,228 A 1/1989 Van Gompel  
 4,830,558 A 5/1989 Sweeney  
 4,846,610 A 7/1989 Schoenleben  
 4,880,342 A 11/1989 Pradovic  
 4,932,817 A 6/1990 Mattare  
 4,955,771 A 9/1990 Bott  
 4,962,907 A 10/1990 Gary  
 4,982,922 A 1/1991 Krause  
 5,028,184 A 7/1991 Krause  
 5,156,110 A 10/1992 Fuller  
 5,219,251 A 6/1993 Kanczuzewski  
 5,259,712 A 11/1993 Wayne

5,281,063 A 1/1994 Austin, III  
 5,320,464 A 6/1994 Long et al.  
 5,326,204 A 7/1994 Carlson et al.  
 5,362,184 A 11/1994 Hull et al.  
 5,370,482 A 12/1994 Long  
 5,494,389 A 2/1996 Kanczuzewski  
 5,688,087 A 11/1997 Stapleton et al.  
 D395,998 S 7/1998 Ballinger  
 5,807,047 A 9/1998 Cox  
 6,086,299 A 7/2000 Kanczuzewski  
 6,106,205 A 8/2000 Haire  
 D462,310 S 9/2002 Kanczuzewski et al.  
 6,533,513 B2 3/2003 Kanczuzewski et al.  
 D478,857 S 8/2003 Petersen et al.  
 6,874,982 B2 4/2005 Rhodes  
 7,356,888 B2\* 4/2008 Chao et al. .... 24/442  
 7,713,008 B2 5/2010 Kanczuzewski et al.  
 8,425,166 B2 4/2013 Kanczuzewski et al.

OTHER PUBLICATIONS

“International Strap Instructions: Complete Installation Guide for the International Strap . . .” Logistick, Inc., retrieved from the Internet at: [www.logistick.com/catalog/116-international-strap](http://www.logistick.com/catalog/116-international-strap), Date of Publication is prior to Oct. 30, 2012 (Admitted Prior Art), pp. 1-2.

\* cited by examiner

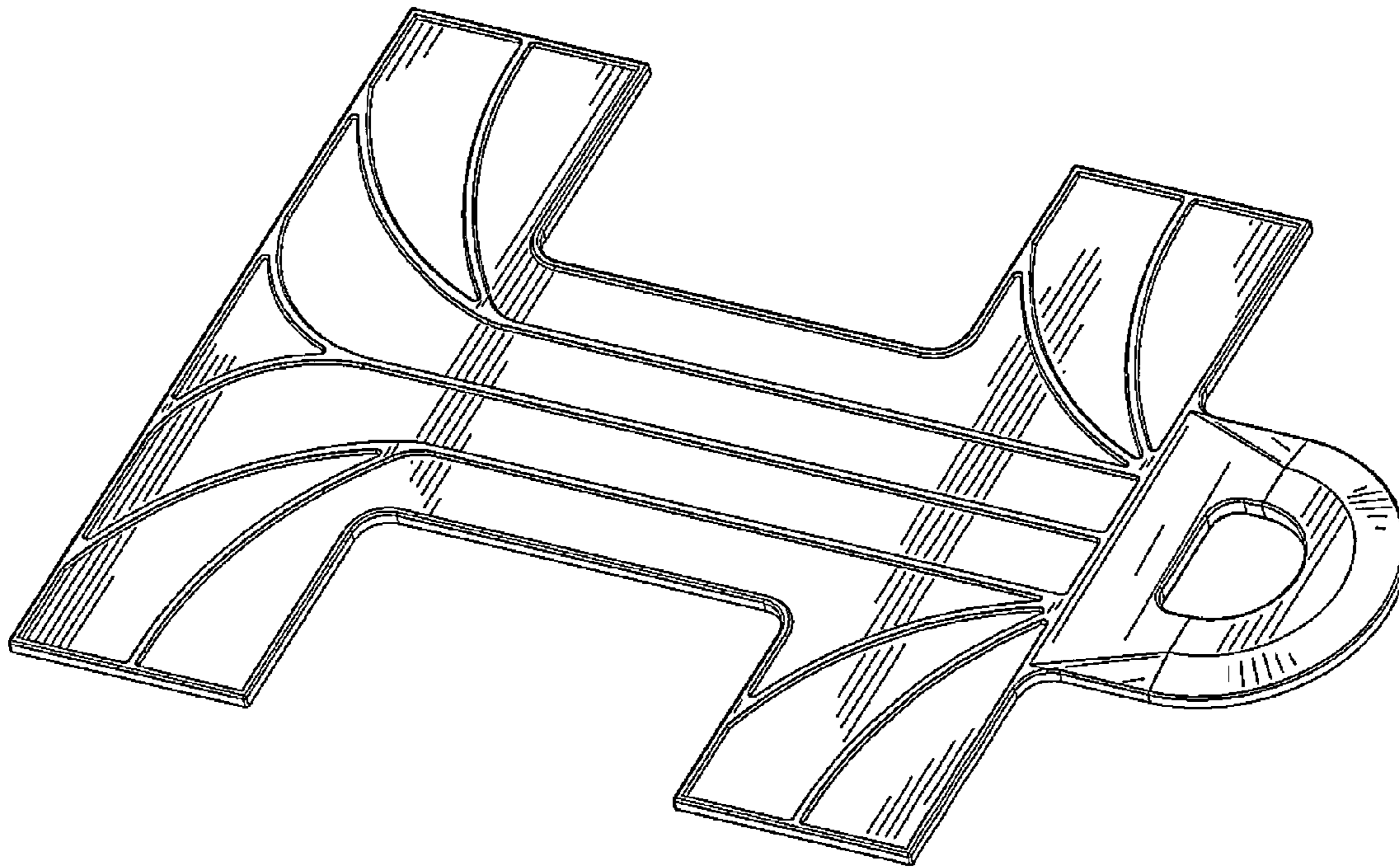


FIG. 1



FIG. 2



FIG. 3



FIG. 4

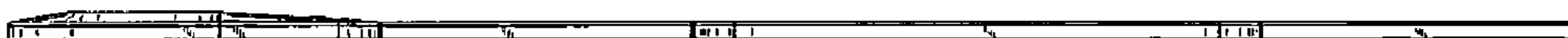


FIG. 5

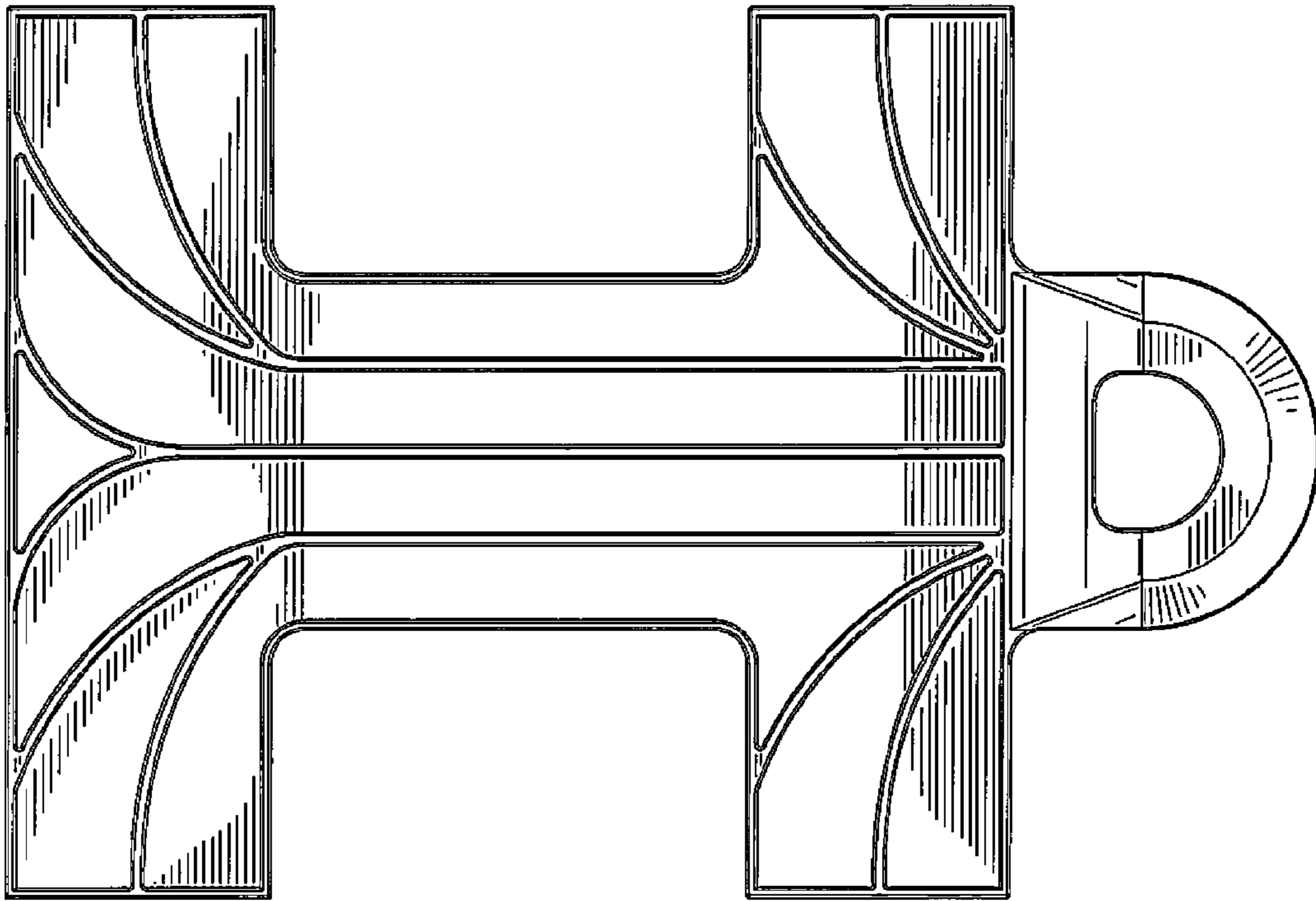


FIG. 6

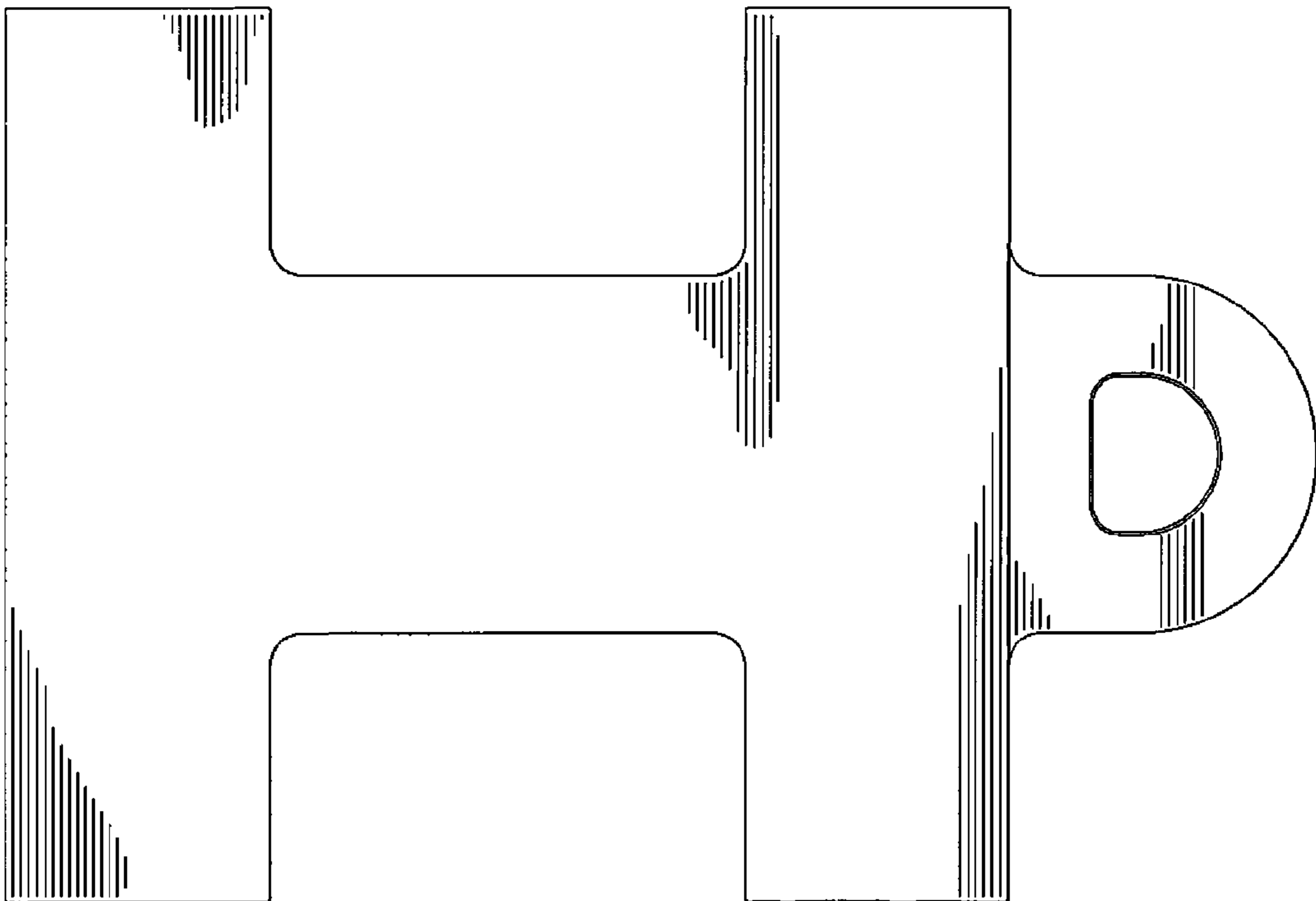


FIG. 7