



US00D722003S

(12) **United States Design Patent**
Gibson

(10) **Patent No.:** **US D722,003 S**
(45) **Date of Patent:** **** Feb. 3, 2015**

- (54) **SWIVEL BRACKET**
- (75) Inventor: **Jeffrey Alan Gibson**, Ripley, OH (US)
- (73) Assignee: **Wald LLC**, Maysville, KY (US)
- (**) Term: **14 Years**
- (21) Appl. No.: **29/416,206**
- (22) Filed: **Mar. 20, 2012**
- (51) **LOC (10) Cl.** **12-06**
- (52) **U.S. Cl.**
USPC **D12/223**
- (58) **Field of Classification Search**
USPC D8/16, 23, 56, 72, 80, 323, 330, 349,
D8/353, 371, 381, 382, 354, 380;
D12/223, 406; 248/689, 690, 691, 200,
248/300, 304, 317, 313; 224/412, 413, 401,
224/420, 419
See application file for complete search history.

- 1,577,146 A 3/1926 Pawsat
- 1,619,538 A 3/1927 Pawsat
- 1,685,882 A 10/1928 Pawsat
- 1,703,444 A 2/1929 Graham
- 1,716,793 A 6/1929 Pawsat
- 1,735,212 A 11/1929 Pawsat
- 1,805,884 A 5/1931 Pawsat
- 1,888,865 A 11/1932 Pawsat
- 1,908,535 A 5/1933 Pawsat
- 1,962,835 A 6/1934 Pawsat

(Continued)

FOREIGN PATENT DOCUMENTS

- CA 358311 A 6/1936
- CA 873097 A 6/1971

OTHER PUBLICATIONS

Unknown, Wald Manufacturing Co., Believed from Wald 1935 Catalog, p. 20.

Primary Examiner — Ian Simmons

Assistant Examiner — Harold Blackwell, II

(74) *Attorney, Agent, or Firm* — Porter, Wright, Morris & Arthur LLP; Ryan L. Willis

(56) **References Cited**

U.S. PATENT DOCUMENTS

- 789,931 A 5/1905 Pawasarat
- 890,701 A 6/1908 Pawsat
- 959,160 A 5/1910 Pawsat et al.
- 973,065 A 10/1910 Pawsat et al.
- 984,239 A 2/1911 Pawsat et al.
- 1,093,352 A 4/1914 Pawsat
- 1,114,028 A 10/1914 Pawsat
- 1,118,679 A 11/1914 Pawsat
- 1,170,099 A 2/1916 Pawsat
- D57,378 S 3/1921 Pawsat
- 1,393,158 A 10/1921 Pawsat
- 1,472,812 A 11/1923 Pawsat
- 1,509,834 A 9/1924 Graham
- 1,510,603 A 10/1924 Pawsat
- 1,510,604 A 10/1924 Pawsat
- 1,523,558 A 1/1925 Pawsat
- 1,535,601 A 4/1925 Graham
- 1,542,807 A 6/1925 Pawsat
- 1,557,359 A 10/1925 Graham

(57) **CLAIM**

I claim the ornamental design for a swivel bracket, as shown and described.

DESCRIPTION

FIG. 1 is an elevated perspective view from the right front of a swivel bracket, showing my new design, attached to an exemplary basket;

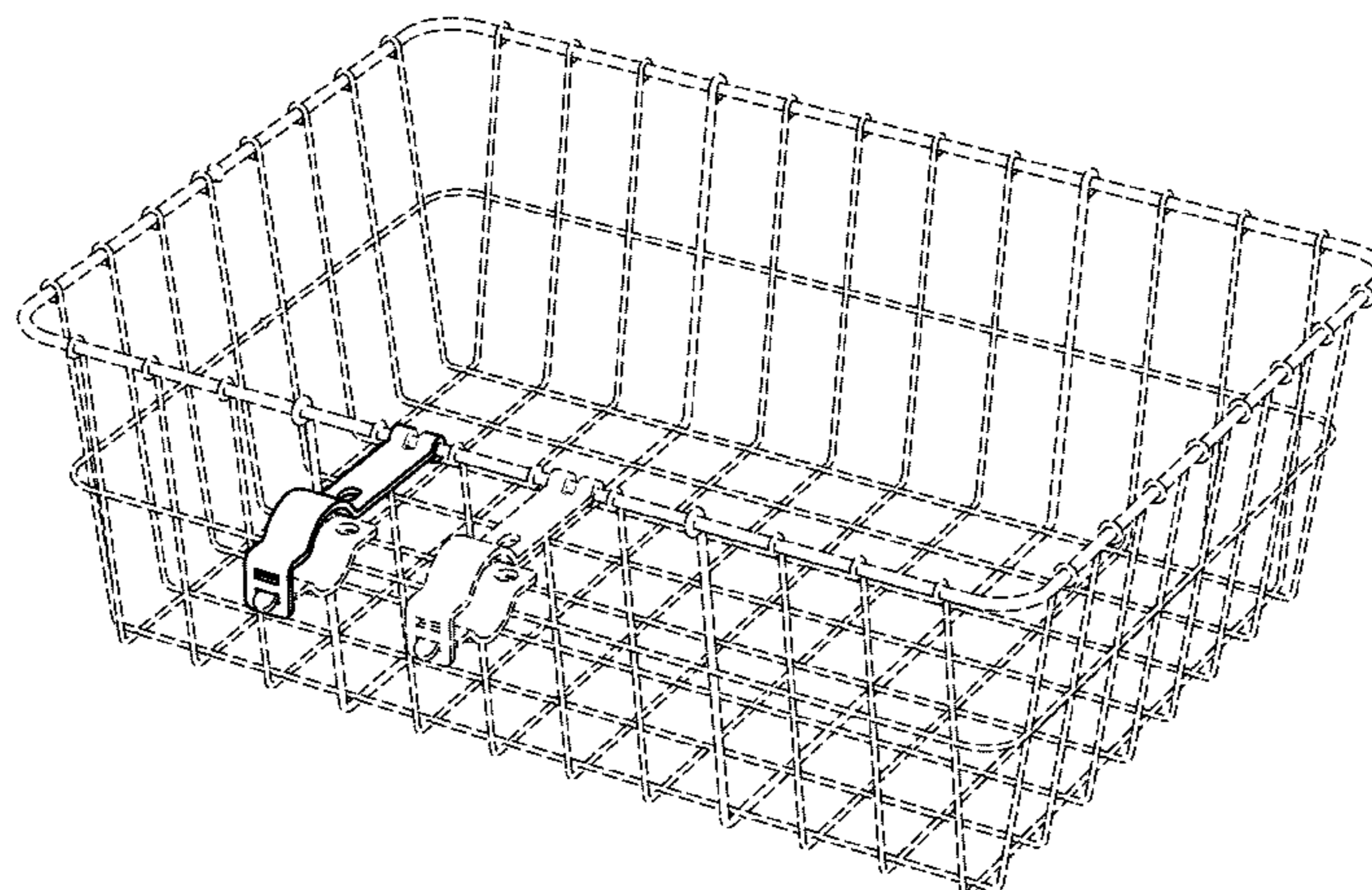
FIG. 2 is a frontal view thereof;

FIG. 3 is a left profile view thereof; and,

FIG. 4 is a top view thereof.

The broken line showing of the basket and bracket is for the purpose of illustrating environmental structure which forms no part of the claimed design.

1 Claim, 4 Drawing Sheets



(56)

References Cited

U.S. PATENT DOCUMENTS

1,974,290	A	9/1934	Pawsat	3,606,110	A	9/1971	Pawsat
1,976,088	A	10/1934	Pawsat	D222,210	S	10/1971	Humlong
1,979,767	A	11/1934	Pawsat	D222,211	S	10/1971	Humlong
1,991,770	A	2/1935	Pawsat	D222,212	S	10/1971	Humlong
2,018,530	A	10/1935	Pawsat	3,613,970	A	10/1971	Humlong
2,018,531	A	10/1935	Pawsat	3,622,180	A	11/1971	Humlong
2,020,904	A	11/1935	Pawsat	3,623,747	A	11/1971	Humlong
2,021,805	A	11/1935	Pawsat	3,642,305	A	2/1972	Pawsat
2,021,806	A	11/1935	Pawsat	D223,072	S	3/1972	Pawsat et al.
D99,301	S	4/1936	Pawsat	D223,073	S	3/1972	Pawsat et al.
D101,967	S	11/1936	Pawsat	D223,074	S	3/1972	Pawsat et al.
D101,968	S	11/1936	Pawsat	D223,075	S	3/1972	Pawsat et al.
2,074,422	A	3/1937	Pawsat	3,647,242	A	3/1972	Pawsat et al.
D104,291	S	4/1937	Pawsat	3,652,105	A	3/1972	Humlong
D104,292	S	4/1937	Pawsat	D223,554	S	5/1972	Pawsat
D104,293	S	4/1937	Pawsat	3,659,478	A	5/1972	Pawsat et al.
D104,504	S	5/1937	Pawsat	D224,464	S	7/1972	Humlong
D104,505	S	5/1937	Pawsat	D224,465	S	7/1972	Humlong
D104,506	S	5/1937	Pawsat	D224,466	S	7/1972	Pawsat
D104,507	S	5/1937	Pawsat	D224,467	S	7/1972	Humlong
D109,727	S	5/1938	Pawsat	D224,468	S	7/1972	Humlong
D109,922	S	5/1938	Pawsat	D224,469	S	7/1972	Humlong
2,130,696	A	9/1938	Pawsat	D224,470	S	7/1972	Humlong
2,130,928	A	9/1938	Pawsat	D224,471	S	7/1972	Humlong
2,135,217	A	11/1938	Pawsat	D224,472	S	7/1972	Humlong
2,135,218	A	11/1938	Pawsat	D224,473	S	7/1972	Humlong
2,151,485	A	3/1939	Pawsat	D224,474	S	7/1972	Pawsat
2,168,916	A	8/1939	Pawsat	D224,475	S	7/1972	Pawsat
2,183,822	A	12/1939	Pawsat	D224,476	S	7/1972	Pawsat
D120,650	S	5/1940	Pawsat	D224,477	S	7/1972	Pawsat
2,202,426	A	5/1940	Pawsat	D224,478	S	7/1972	Pawsat
2,209,846	A	7/1940	Pawsat	D224,696	S	8/1972	Pawsat et al.
2,280,662	A	4/1942	Pawsat	D224,697	S	8/1972	Pawsat et al.
2,307,235	A	1/1943	Pawsat	D224,698	S	8/1972	Pawsat et al.
2,383,273	A	8/1945	Pawsat	D224,699	S	8/1972	Pawsat et al.
2,386,887	A	10/1945	Eckel	D224,819	S	9/1972	Humlong
D146,119	S	12/1946	Pawsat	3,695,496	A	10/1972	Humlong
D157,416	S	2/1950	Pawsat	3,701,289	A	10/1972	Pawsat et al.
2,498,446	A	2/1950	Pawsat	3,701,290	A	10/1972	Pawsat et al.
2,505,648	A	4/1950	Pawsat	3,707,319	A	12/1972	Pawsat et al.
2,532,034	A	11/1950	Pawsat et al.	D226,150	S	1/1973	Pawsat et al.
2,561,710	A	7/1951	Pawsat	D226,151	S	1/1973	Pawsat et al.
2,712,947	A	7/1955	Pawsat et al.	3,709,058	A	1/1973	Pawsat
2,723,133	A	11/1955	Pawsat	3,722,930	A	3/1973	Humlong
2,731,854	A	1/1956	Pawsat	D226,789	S	4/1973	Pawsat
2,769,990	A	11/1956	Pawsat	D227,045	S	5/1973	Pawsat
2,814,213	A	11/1957	Pawsat	D227,193	S	6/1973	Pawsat
2,817,540	A	12/1957	Pawsat	D227,416	S	6/1973	Pawsat
D188,022	S	5/1960	Pawsat	D228,158	S	8/1973	Pawsat
D190,011	S	3/1961	Pawsat	3,775,807	A	12/1973	McBrien
3,102,610	A	9/1963	Shelby, Jr.	D230,720	S	3/1974	Humlong
D204,906	S	* 5/1966	Kus D8/394	D230,721	S	3/1974	Pawsat et al.
D205,823	S	9/1966	Pawsat	3,797,912	A	3/1974	Humlong
3,286,416	A	11/1966	Ashworth	3,802,147	A	4/1974	O'Konski
D211,144	S	5/1968	Pawsat	D231,971	S	7/1974	Humlong
3,414,223	A	12/1968	Pawsat	3,831,891	A	8/1974	Jester
D214,477	S	6/1969	Pawsat et al.	D233,223	S	10/1974	Pawsat et al.
3,529,490	A	9/1970	Pawsat et al.	D233,224	S	10/1974	Humlong
D219,798	S	1/1971	Humlong	3,858,942	A	1/1975	Humlong
D220,156	S	3/1971	Humlong	D235,202	S	5/1975	Pawsat et al.
D220,157	S	3/1971	Humlong	D237,959	S	12/1975	Pawsat
D220,158	S	3/1971	Pawsat	3,964,809	A	6/1976	Wirbilowicz et al.
D221,322	S	7/1971	Pawsat et al.	3,970,399	A	7/1976	Palumbo
D221,323	S	7/1971	Pawsat et al.	3,986,734	A	10/1976	Davis
D221,324	S	7/1971	Pawsat et al.	D243,670	S	3/1977	Humlong
D221,325	S	7/1971	Pawsat et al.	D243,671	S	3/1977	Humlong
D222,015	S	9/1971	Pawsat et al.	D243,672	S	3/1977	Pawsat
D222,016	S	9/1971	Pawsat et al.	4,037,810	A	7/1977	Pate
D222,017	S	9/1971	Pawsat et al.	4,041,600	A	8/1977	Ruediger
D222,018	S	9/1971	Pawsat et al.	4,042,097	A	8/1977	Clark et al.
D222,019	S	9/1971	Pawsat et al.	4,043,688	A	8/1977	Humlong
D222,020	S	9/1971	Pawsat et al.	4,063,798	A	12/1977	Pawsat
D222,021	S	9/1971	Pawsat et al.	4,083,548	A	4/1978	Hackbarth
D222,022	S	9/1971	Pawsat et al.	D248,635	S	7/1978	Pawsat et al.
3,603,549	A	9/1971	Brilando et al.	4,103,374	A	8/1978	Knoke
				4,106,738	A	8/1978	Kostecky
				4,113,395	A	9/1978	Pawsat et al.
				4,114,249	A	9/1978	Clark et al.
				4,120,182	A	10/1978	Michelman et al.

(56)

References Cited

U.S. PATENT DOCUMENTS

4,136,984 A	1/1979	Hayashi	D310,809 S	9/1990	Pawsat et al.
D251,552 S	4/1979	Humlong	4,964,603 A	10/1990	Yair
D252,988 S	9/1979	Humlong	4,980,805 A	12/1990	Maglica et al.
4,193,247 A	3/1980	Heckelsberg	4,984,737 A	1/1991	Muth et al.
4,209,265 A	6/1980	Moehlenpah	4,988,022 A	1/1991	Seitz
D255,983 S *	7/1980	Armstrong et al. D8/382	4,993,123 A	2/1991	Siwek
4,222,156 A	9/1980	Anderle	4,998,426 A	3/1991	Genakis
4,232,978 A	11/1980	Cohen	D316,071 S	4/1991	McMurtrey
4,234,999 A	11/1980	Winter et al.	D317,284 S	6/1991	McMurtrey
4,269,336 A	5/1981	Humlong	5,037,050 A	8/1991	Lin et al.
4,274,322 A	6/1981	Cordes	5,048,733 A	9/1991	Nagy
4,274,754 A	6/1981	Cohen	5,062,026 A	10/1991	Maglica et al.
D260,249 S	8/1981	Humlong	5,082,178 A	1/1992	Muth et al.
4,282,993 A	8/1981	Humlong	5,082,226 A	1/1992	Mahan
4,307,495 A	12/1981	Sadler	5,097,640 A	3/1992	Skolnick et al.
4,331,270 A	5/1982	Humlong	5,100,052 A	3/1992	Vajtay
4,337,554 A	7/1982	Sevrence	5,109,321 A	4/1992	Maglica et al.
4,363,459 A	12/1982	Holzer	5,113,320 A	5/1992	Haydu
4,364,258 A	12/1982	Davidson	5,128,841 A	7/1992	Maglica et al.
4,372,017 A	2/1983	Heckethorn	5,144,546 A	9/1992	Burdi
D273,375 S	4/1984	Humlong	5,147,257 A	9/1992	Loane
4,475,778 A	10/1984	Stark	5,149,036 A	9/1992	Sheehan
4,477,865 A	10/1984	Tsuyama	D331,034 S	11/1992	McMurtrey
4,501,435 A	2/1985	McMurtrey	5,181,355 A	1/1993	Skolnick et al.
4,526,491 A	7/1985	Pawsat	5,181,774 A	1/1993	Lane
4,527,762 A	7/1985	Duell	5,184,884 A	2/1993	Maglica et al.
4,531,315 A	7/1985	Sobel	5,221,013 A	6/1993	Santucci
D280,311 S	8/1985	Pawsat	5,226,340 A	7/1993	Takeda
4,537,525 A	8/1985	McMurtrey	5,232,379 A	8/1993	Lai
4,539,738 A	9/1985	Antol et al.	5,253,835 A	10/1993	Herron, III
4,553,937 A	11/1985	Ropers	5,263,550 A	11/1993	Jines et al.
4,562,776 A	1/1986	Miranda	5,265,411 A	11/1993	Belsom
D282,730 S	2/1986	Pawsat et al.	5,265,496 A	11/1993	Townsend
4,567,992 A	2/1986	Davis	5,270,911 A	12/1993	Maglica et al.
4,576,415 A	3/1986	Hempelmann	5,299,698 A	4/1994	Gay
4,580,853 A	4/1986	Hitzeroth et al.	5,327,695 A	7/1994	Kelly
4,593,738 A	6/1986	Chi Yu	5,353,973 A	10/1994	McMurtrey
4,595,212 A	6/1986	Haury et al.	5,355,746 A	10/1994	Lin
D284,561 S	7/1986	Pawsat et al.	5,374,102 A	12/1994	Archambault et al.
4,601,483 A	7/1986	McMurtrey	5,383,562 A	1/1995	Gay
4,615,535 A	10/1986	McMurtrey	5,385,280 A	1/1995	Littlepage et al.
4,618,115 A	10/1986	Belokin, Jr.	D356,759 S	3/1995	Pawsat
4,621,826 A	11/1986	Ziegler, Jr.	5,408,724 A	4/1995	Mullet et al.
4,632,345 A	12/1986	Barley	5,415,613 A	5/1995	McGrath
4,635,499 A	1/1987	McMurtrey	5,418,697 A	5/1995	Chiou
D288,345 S	2/1987	McMurtrey	5,423,450 A	6/1995	Shillington et al.
4,662,645 A	5/1987	McMurtrey	5,465,486 A	11/1995	King
4,684,110 A	8/1987	Sale et al.	5,487,497 A	1/1996	Kwiatkowski
4,688,835 A	8/1987	Wu	5,489,255 A	2/1996	Hinckley et al.
4,695,099 A	9/1987	Klein	5,507,610 A	4/1996	Benedetti et al.
4,699,377 A	10/1987	Ponza	5,531,511 A	7/1996	McMurtrey et al.
4,702,401 A	10/1987	Graber et al.	5,536,049 A	7/1996	Coules et al.
4,711,436 A	12/1987	Kobuck et al.	5,553,950 A	9/1996	Pawsat et al.
4,714,585 A	12/1987	Kast	5,586,593 A	12/1996	Schwartz
4,720,891 A	1/1988	Rennecker et al.	5,586,738 A	12/1996	Binelli
4,721,321 A	1/1988	Haury et al.	5,624,175 A	4/1997	Gelormino et al.
D294,014 S	2/1988	McMurtrey	5,667,181 A	9/1997	van Leeuwen et al.
4,725,244 A	2/1988	Chewning et al.	5,669,683 A	9/1997	Moss et al.
4,730,758 A	3/1988	McMurtrey	D384,925 S	10/1997	Pawsat et al.
4,735,365 A	4/1988	Smeller et al.	5,678,435 A	10/1997	Hodson
4,748,549 A	5/1988	Scheer	5,682,662 A	11/1997	Coules et al.
D298,613 S	11/1988	McMurtrey	5,688,172 A	11/1997	Lorenzo Regidor
4,783,187 A	11/1988	McMurtrey	D387,316 S	12/1997	Pawsat et al.
4,794,815 A	1/1989	Borromeo	5,718,533 A	2/1998	Mullet et al.
4,800,664 A	1/1989	Marstall	5,779,380 A	7/1998	Knapp
4,805,925 A	2/1989	Haury et al.	5,788,416 A	8/1998	Wolgamot
4,846,508 A	7/1989	Pallini, Jr. et al.	5,794,894 A	8/1998	Fremund
4,884,528 A	12/1989	Stuedler, Jr.	5,806,813 A	9/1998	Binelli
D306,418 S	3/1990	McMurtrey	5,833,534 A	11/1998	Lai
D306,568 S	3/1990	McMurtrey	5,845,351 A	12/1998	Berta et al.
4,914,790 A	4/1990	Foubert	D403,948 S	1/1999	Pawsat
4,916,970 A	4/1990	McMurtrey	5,857,615 A	1/1999	Rose
4,928,834 A	5/1990	Neiman	5,878,627 A	3/1999	McMurtrey
4,929,007 A	5/1990	Bartczak et al.	5,881,508 A	3/1999	Irvine et al.
4,932,652 A	6/1990	Beall, III	5,941,377 A	8/1999	Hart et al.
			5,948,308 A	9/1999	Wischusen, III
			5,971,684 A	10/1999	Wang
			6,067,875 A	5/2000	Ritchey et al.
			6,076,424 A	6/2000	McMurtrey et al.

(56)

References Cited

U.S. PATENT DOCUMENTS

6,126,354 A	10/2000	Ramich	7,594,741 B2	9/2009	Okajima et al.
6,145,212 A	11/2000	Geise et al.	7,602,613 B2	10/2009	Goodwin et al.
6,178,848 B1	1/2001	Lowe	7,654,563 B2	2/2010	Soderquist
6,196,401 B1	3/2001	Brady et al.	7,666,109 B2	2/2010	White
6,241,144 B1	6/2001	Mandon	7,713,060 B1	5/2010	Ichino
6,311,852 B1	11/2001	Ireland	7,753,423 B2	7/2010	Zellner, Jr.
6,357,708 B1	3/2002	Carson	7,798,686 B2	9/2010	Mesko et al.
6,382,431 B1	5/2002	Burke	7,815,389 B2	10/2010	Wagner et al.
6,382,433 B1	5/2002	Podergois	7,819,367 B1	10/2010	Roberts et al.
6,394,694 B1	5/2002	Klieber	D628,057 S *	11/2010	Benne et al. D8/394
6,467,734 B1	10/2002	Brown et al.	7,823,903 B2	11/2010	Swaggert
6,499,958 B2	12/2002	Haugen et al.	7,823,957 B2	11/2010	Williamson et al.
6,533,288 B1	3/2003	Brandner et al.	7,824,125 B2	11/2010	Dorney et al.
6,565,370 B1	5/2003	Kabat et al.	7,832,554 B2	11/2010	Sutton-Rainey et al.
6,584,872 B1	7/2003	Kojima	7,841,575 B1	11/2010	Sliger
6,640,975 B2	11/2003	Bennett et al.	7,845,671 B2	12/2010	Cone, II
6,641,149 B2	11/2003	Chiappetta et al.	7,857,020 B2	12/2010	McDaniel
6,648,417 B1	11/2003	Gilbert et al.	7,861,448 B2	1/2011	Povilaitis
6,655,642 B1	12/2003	Zearbaugh	7,866,070 B2	1/2011	Beyer, Jr.
6,667,442 B1	12/2003	Hilligoss	7,870,677 B2	1/2011	Gray et al.
D485,658 S	1/2004	McMurtrey	7,883,065 B2	2/2011	Nelson
6,679,460 B2	1/2004	Nicolia et al.	7,887,108 B1	2/2011	Cawley et al.
6,695,396 B1	2/2004	Schwab	7,891,479 B2	2/2011	Evangelista et al.
6,725,808 B2	4/2004	Campbell et al.	7,891,739 B2	2/2011	Cramer
6,783,101 B2	8/2004	Knotts	7,896,040 B2	3/2011	Gill
D496,321 S *	9/2004	McMurtrey et al. D12/223	7,900,882 B2	3/2011	Evans et al.
6,793,641 B2	9/2004	Freeman et al.	7,900,952 B2	3/2011	Cone, II
6,901,632 B2	6/2005	Boyce	7,922,136 B2	4/2011	Lien et al.
6,932,266 B2	8/2005	Jones et al.	7,930,989 B2	4/2011	Doty, III et al.
6,988,614 B2	1/2006	Hemingway et al.	7,931,244 B1	4/2011	Sipe
6,991,397 B2	1/2006	Welch	7,931,287 B2	4/2011	Dudding et al.
7,017,865 B2	3/2006	Zearbaugh	7,942,077 B2	5/2011	Lai
7,025,645 B1	4/2006	Hsieh	7,946,066 B2	5/2011	Wamsley
7,044,677 B2	5/2006	Moser et al.	7,954,776 B2	6/2011	Davis et al.
7,077,150 B2	7/2006	McNerney	7,961,460 B2	6/2011	Hood, III et al.
7,093,869 B2	8/2006	Jung	7,971,458 B2	7/2011	Gilbert
7,093,964 B2	8/2006	Bynum	7,972,401 B2	7/2011	Stock et al.
7,104,594 B2	9/2006	Granger et al.	7,976,052 B1	7/2011	Williams, Jr.
7,108,291 B2	9/2006	Baxi et al.	7,979,979 B2	7/2011	Burke et al.
7,114,833 B1	10/2006	Pickett et al.	7,997,860 B2	8/2011	Burdgick et al.
7,121,221 B2	10/2006	Lawrence	8,011,627 B2	9/2011	Andkjar
7,181,924 B2	2/2007	Duffy et al.	8,021,546 B2	9/2011	Hukki
7,185,770 B1	3/2007	Roten	8,025,195 B2	9/2011	Robichaux et al.
7,216,878 B2	5/2007	Damon	8,042,823 B2	10/2011	Cusack
7,225,471 B2	6/2007	Sutter et al.	8,045,672 B2	10/2011	Jensen et al.
7,249,875 B1	7/2007	Roach et al.	8,056,495 B2	11/2011	Lemons
7,263,790 B2	9/2007	Richards	8,061,889 B2	11/2011	Mattson et al.
7,293,786 B2	11/2007	Burton et al.	8,065,843 B2	11/2011	Timothy et al.
7,318,439 B2	1/2008	Raje et al.	8,070,119 B2	12/2011	Taylor
7,320,401 B1	1/2008	Chandler	8,074,852 B2	12/2011	Crum, Jr. et al.
7,334,911 B2	2/2008	Sinegal et al.	8,074,945 B2	12/2011	Schoenau et al.
7,337,897 B2	3/2008	Sutton-Rainey et al.	8,087,699 B2	1/2012	Holt et al.
7,347,596 B2	3/2008	Ishikawa	8,104,185 B2	1/2012	Gray et al.
7,377,673 B1	5/2008	Hsiao	8,104,827 B2	1/2012	Crane et al.
7,392,967 B2	7/2008	Liaw et al.	8,104,962 B2	1/2012	Niedermeyer et al.
7,434,492 B1	10/2008	Morales	8,109,485 B2	2/2012	Vanlanen et al.
7,448,679 B2	11/2008	Chang	8,113,806 B2	2/2012	Currie et al.
D584,675 S	1/2009	Crum, Jr.	D658,484 S *	5/2012	Wall D8/354
7,472,970 B2	1/2009	Bergesch et al.	D658,485 S *	5/2012	Wall D8/354
7,517,380 B2	4/2009	Grimm et al.	D676,370 S *	2/2013	Pawsat et al. D12/223
			D680,052 S *	4/2013	Lee D12/223

* cited by examiner

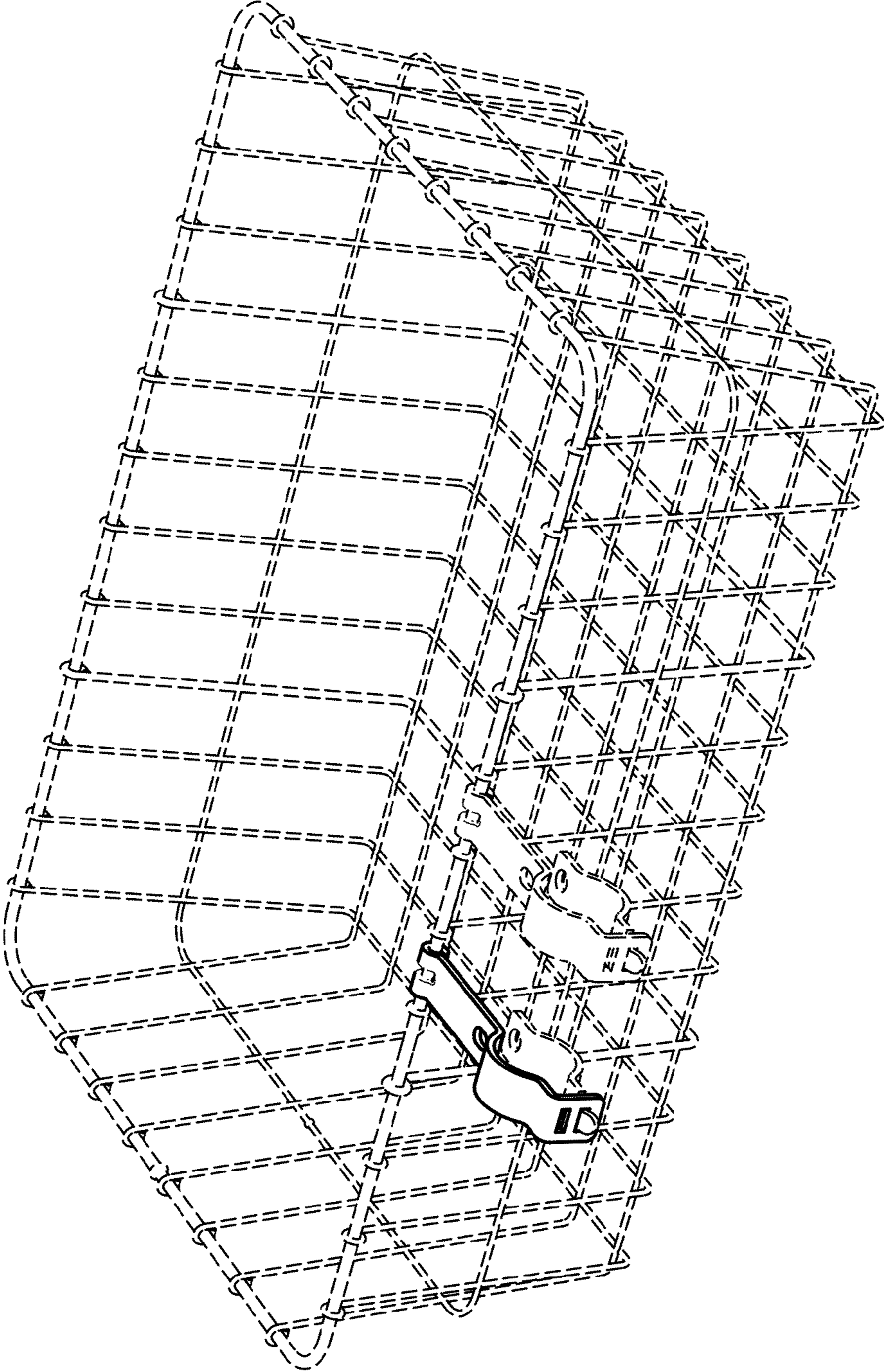


FIG.1

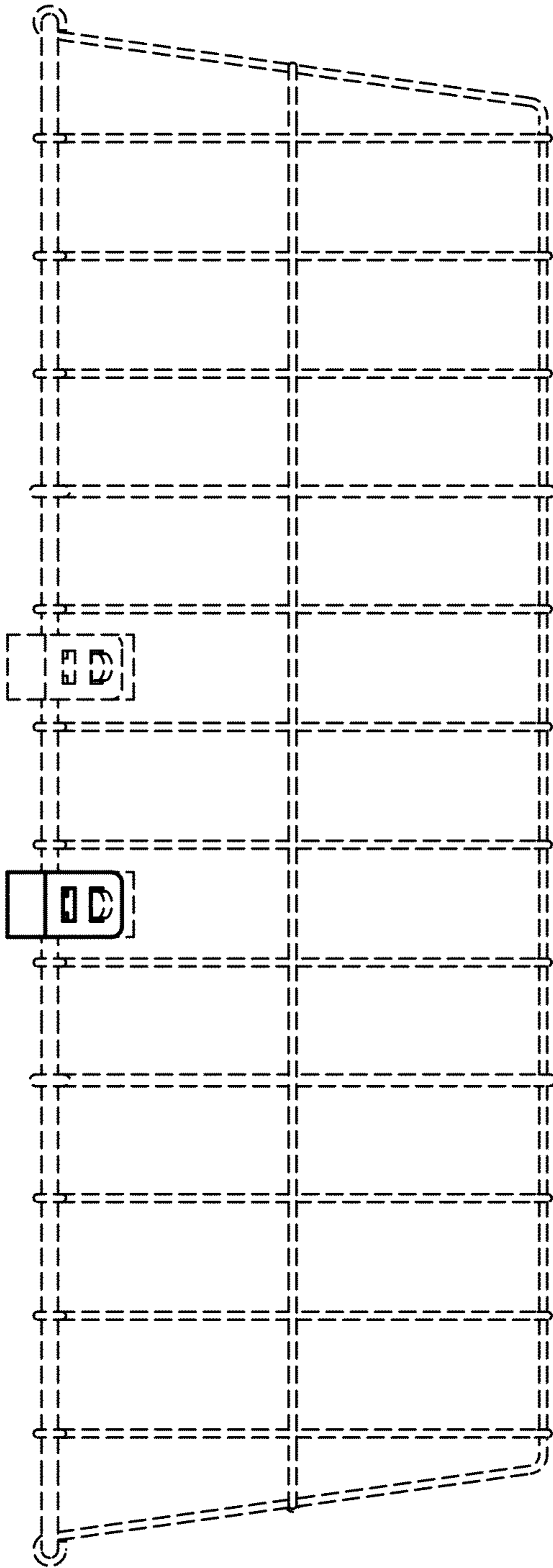


FIG.2

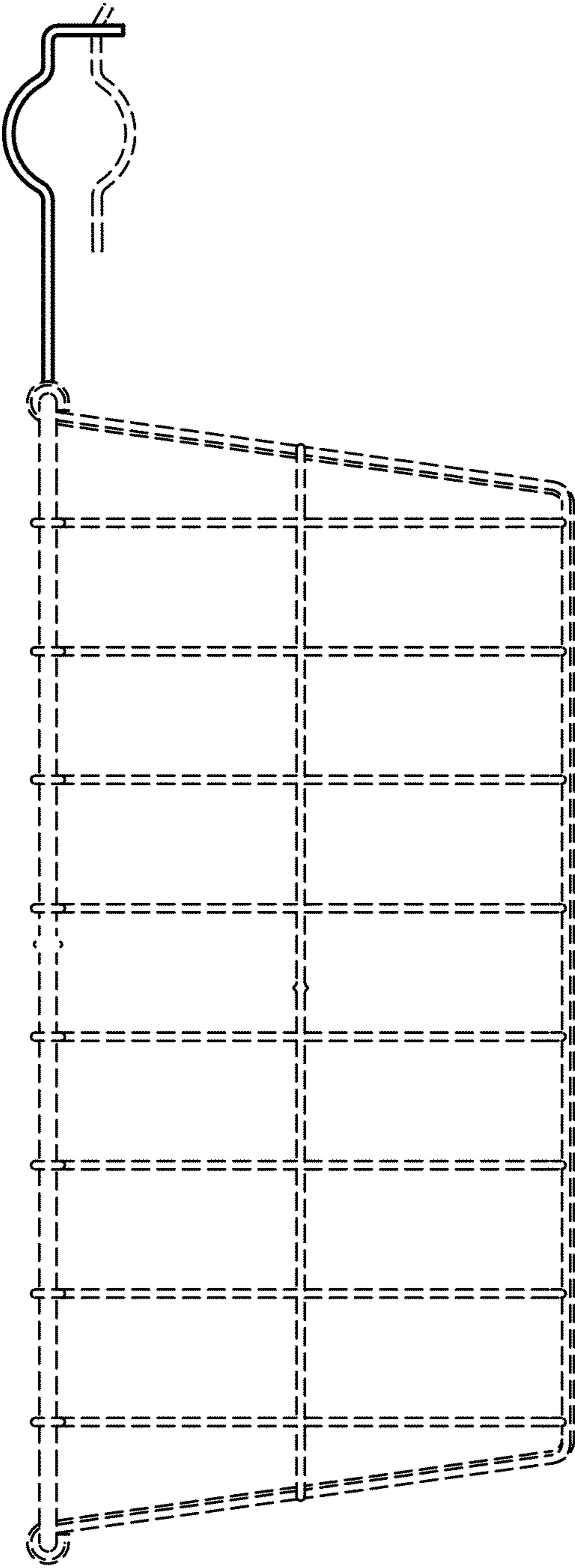


FIG.3

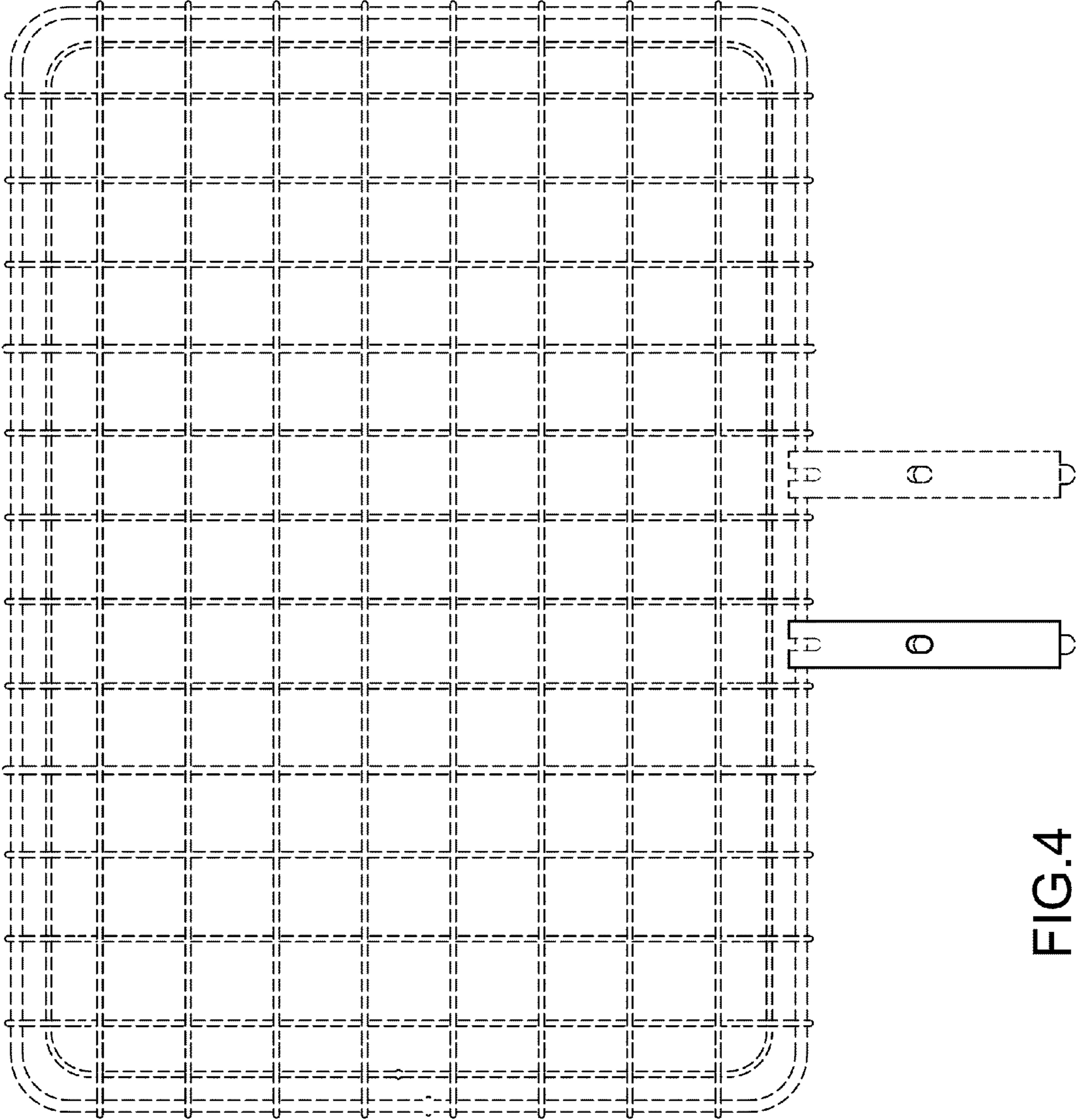


FIG.4