



US00D722001S

(12) **United States Design Patent**
Kern

(10) **Patent No.:** **US D722,001 S**
(45) **Date of Patent:** **** Feb. 3, 2015**

(54) **FRONT FACE OF A VEHICLE WHEEL**

(71) Applicant: **Vossen Wheels, Inc.**, Miami, FL (US)

(72) Inventor: **Steven Kern**, Miami Beach, FL (US)

(73) Assignee: **Vossen Wheels, Inc.**, Miami, FL (US)

(**) Term: **14 Years**

(21) Appl. No.: **29/499,242**

(22) Filed: **Aug. 13, 2014**

(51) **LOC (10) Cl.** **12-16**

(52) **U.S. Cl.**
USPC **D12/209**

(58) **Field of Classification Search**
CPC B60B 7/00; B60B 7/02; B60B 7/04;
B60B 7/01; B60B 7/06; B60B 3/02; B60B
3/04; B60B 3/06; B60B 3/10; B60B 1/00;
B60B 1/08; B60B 1/10; B60B 1/12
USPC D12/204–213
See application file for complete search history.

(56) **References Cited**

U.S. PATENT DOCUMENTS

| | | | |
|--------------|---------|--------------------|---------|
| D368,464 S * | 4/1996 | Morley et al. | D12/209 |
| D384,633 S * | 10/1997 | Syring | D12/211 |
| D401,206 S * | 11/1998 | Ivanova | D12/209 |
| D407,055 S * | 3/1999 | Kelley | D12/209 |
| D446,179 S * | 8/2001 | Sinkwitz | D12/209 |
| D469,727 S * | 2/2003 | Lenz | D12/209 |

| | | | |
|--------------|---------|------------------|---------|
| D478,305 S * | 8/2003 | Kern | D12/209 |
| D487,717 S * | 3/2004 | Lenz | D12/211 |
| D497,583 S * | 10/2004 | Walbey, Jr. | D12/209 |
| D501,817 S * | 2/2005 | Pfeiffer | D12/211 |
| D516,488 S * | 3/2006 | Truebsbach | D12/209 |
| D546,262 S * | 7/2007 | Arora | D12/209 |
| D547,710 S * | 7/2007 | Guevara | D12/209 |
| D550,138 S * | 9/2007 | Walbey, Jr. | D12/209 |
| D567,165 S * | 4/2008 | Truebsbach | D12/209 |
| D608,710 S * | 1/2010 | Nissl | D12/209 |
| D617,252 S * | 6/2010 | Zhao | D12/211 |
| D623,573 S * | 9/2010 | Turner | D12/209 |
| D643,355 S * | 8/2011 | Truebsbach | D12/209 |
| D691,543 S * | 10/2013 | Gordon | D12/209 |
| D706,195 S * | 6/2014 | Lee | D12/211 |

* cited by examiner

Primary Examiner — Stacia Cadmus

(74) *Attorney, Agent, or Firm* — Berenato & White, LLC

(57) **CLAIM**

The ornamental design for a front face of a vehicle wheel, as shown and described.

DESCRIPTION

FIG. 1 is a front view of a vehicle wheel showing my new design; and, FIG. 2 is a front perspective view of the wheel shown in FIG. 1.

The broken lines showings are included for the purpose of illustrating environment and form no part of the claimed design.

1 Claim, 2 Drawing Sheets

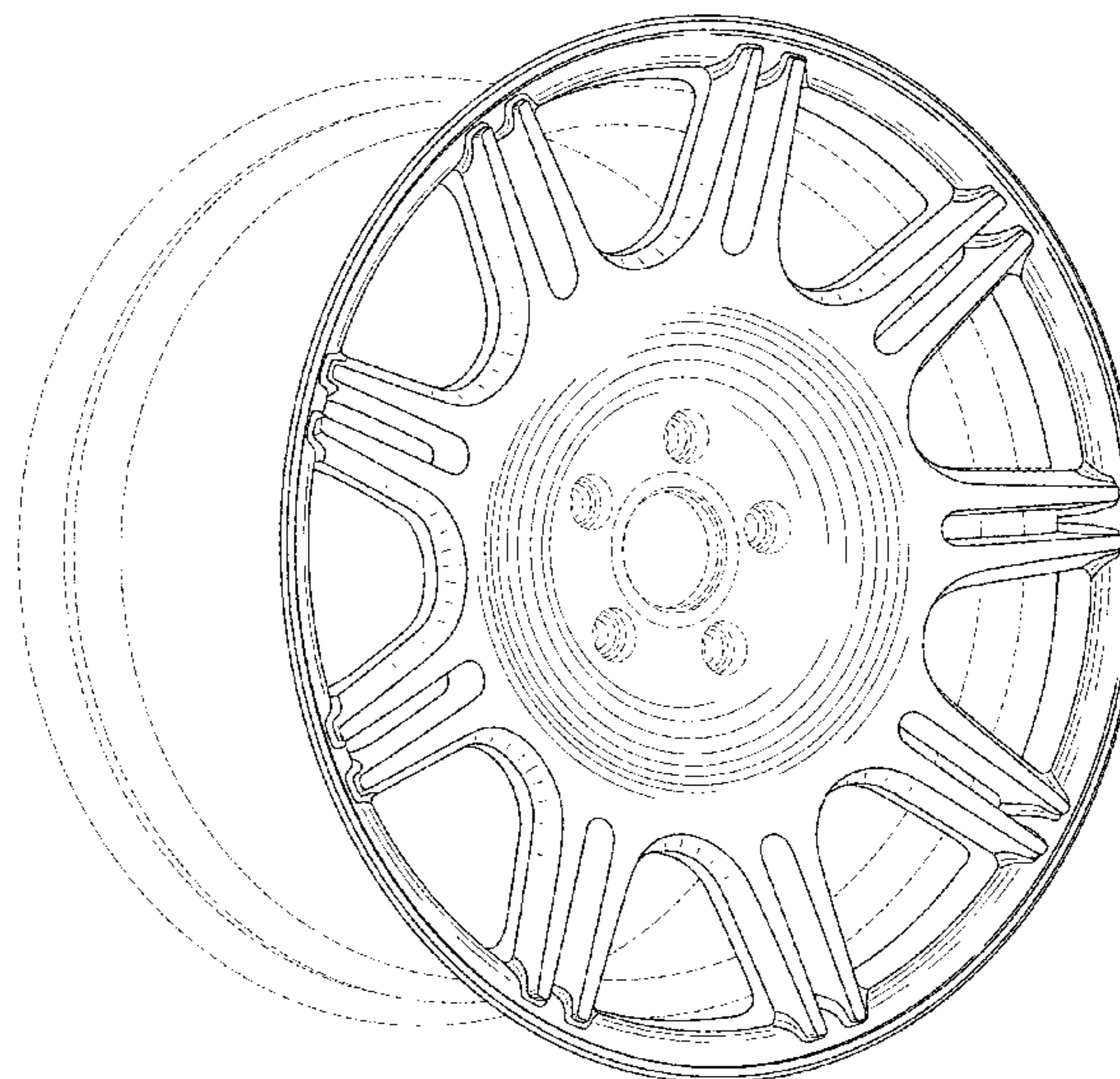
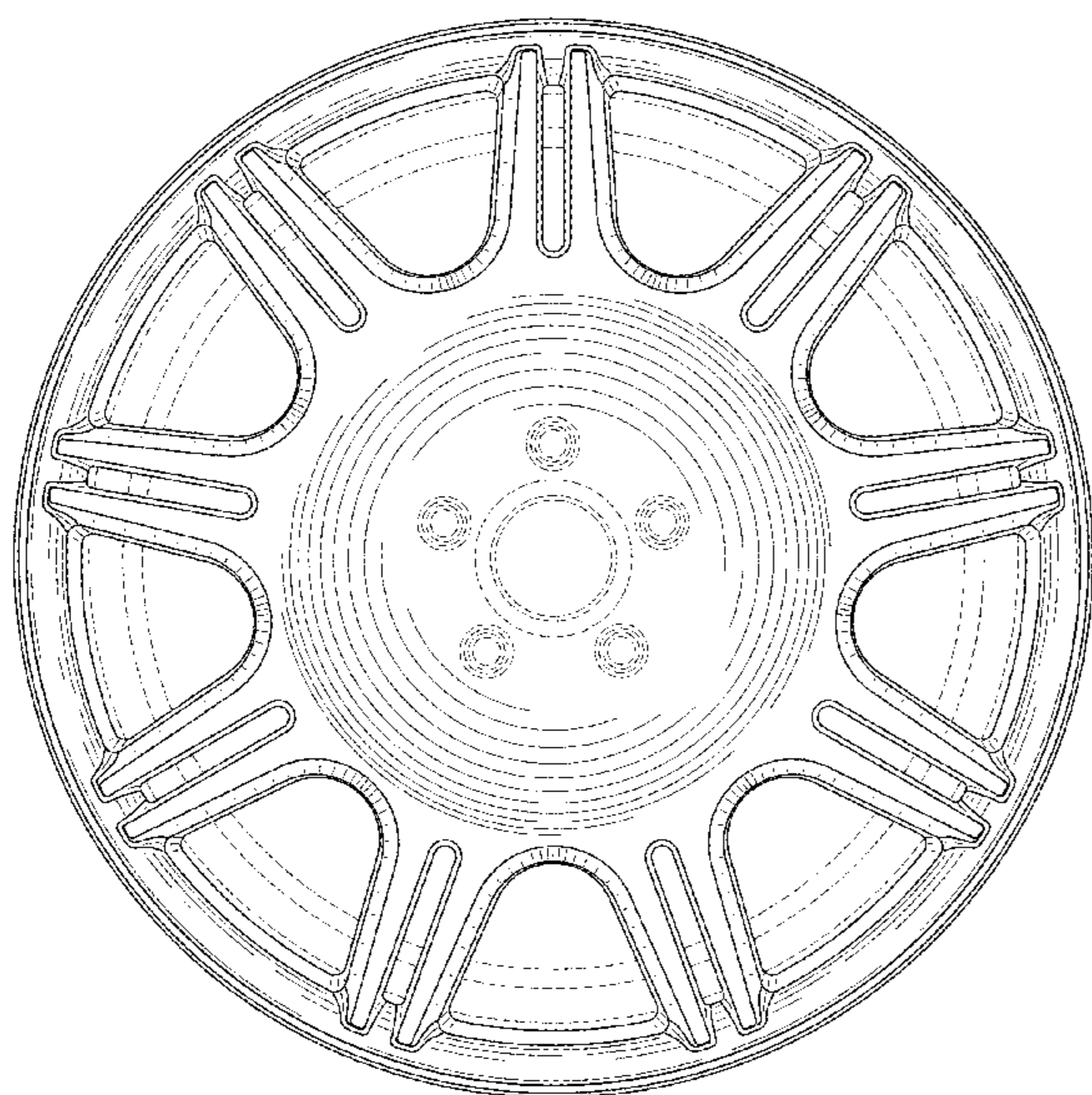


Fig. 1



Fig. 2

