



US00D721999S

(12) **United States Design Patent**
Alemanly et al.

(10) **Patent No.:** **US D721,999 S**

(45) **Date of Patent:** **** Feb. 3, 2015**

(54) **WHEEL**

(71) Applicant: **Daimler AG**, Stuttgart (DE)

(72) Inventors: **Georgeanna Alemanly**, Portland, OR (US); **Ray Ayala**, Beaverton, OR (US); **Evan Chenoweth**, Portland, OR (US)

(73) Assignee: **Daimler AG**, Stuttgart (DE)

(**) Term: **14 Years**

(21) Appl. No.: **29/457,779**

(22) Filed: **Jun. 13, 2013**

(30) **Foreign Application Priority Data**

Dec. 14, 2012 (EP) 002152934-0001

Dec. 14, 2012 (EP) 002152934-0002

(51) **LOC (10) Cl.** **12-16**

(52) **U.S. Cl.**
USPC **D12/204**

(58) **Field of Classification Search**

CPC B60B 7/00; B60B 7/02; B60B 7/04;
B60B 7/01; B60B 7/06; B60B 3/02; B60B
3/04; B60B 3/06; B60B 3/10; B60B 1/00;
B60B 1/08; B60B 1/10; B60B 1/12

USPC D12/204-213

See application file for complete search history.

(56) **References Cited**

U.S. PATENT DOCUMENTS

2,249,568	A	*	7/1941	Shinliver	D12/208
D318,449	S	*	7/1991	Lipper	D12/211
D332,441	S	*	1/1993	Douglas, Jr.	D12/204
D526,260	S	*	8/2006	Whitehead	D12/204
D541,201	S	*	4/2007	Bowden et al.	D12/204
D575,714	S	*	8/2008	Asada et al.	D12/204
D651,954	S	*	1/2012	Hohman	D12/204
D663,246	S	*	7/2012	Hohman et al.	D12/204
D671,056	S	*	11/2012	Burki et al.	D12/204
D696,174	S	*	12/2013	Rider et al.	D12/204

* cited by examiner

Primary Examiner — Stacia Cadmus

(74) *Attorney, Agent, or Firm* — Crowell & Moring LLP

(57) **CLAIM**

The ornamental design for a wheel, as shown and described.

DESCRIPTION

FIG. 1 is a perspective view of a wheel according to the design;

FIG. 2 is a front view thereof;

FIG. 3 is a side view thereof; and

FIG. 4 is a cross-sectional view thereof, taken along line 4-4 shown in FIG. 2.

FIG. 5 is a perspective view of a second embodiment of the wheel according to the design;

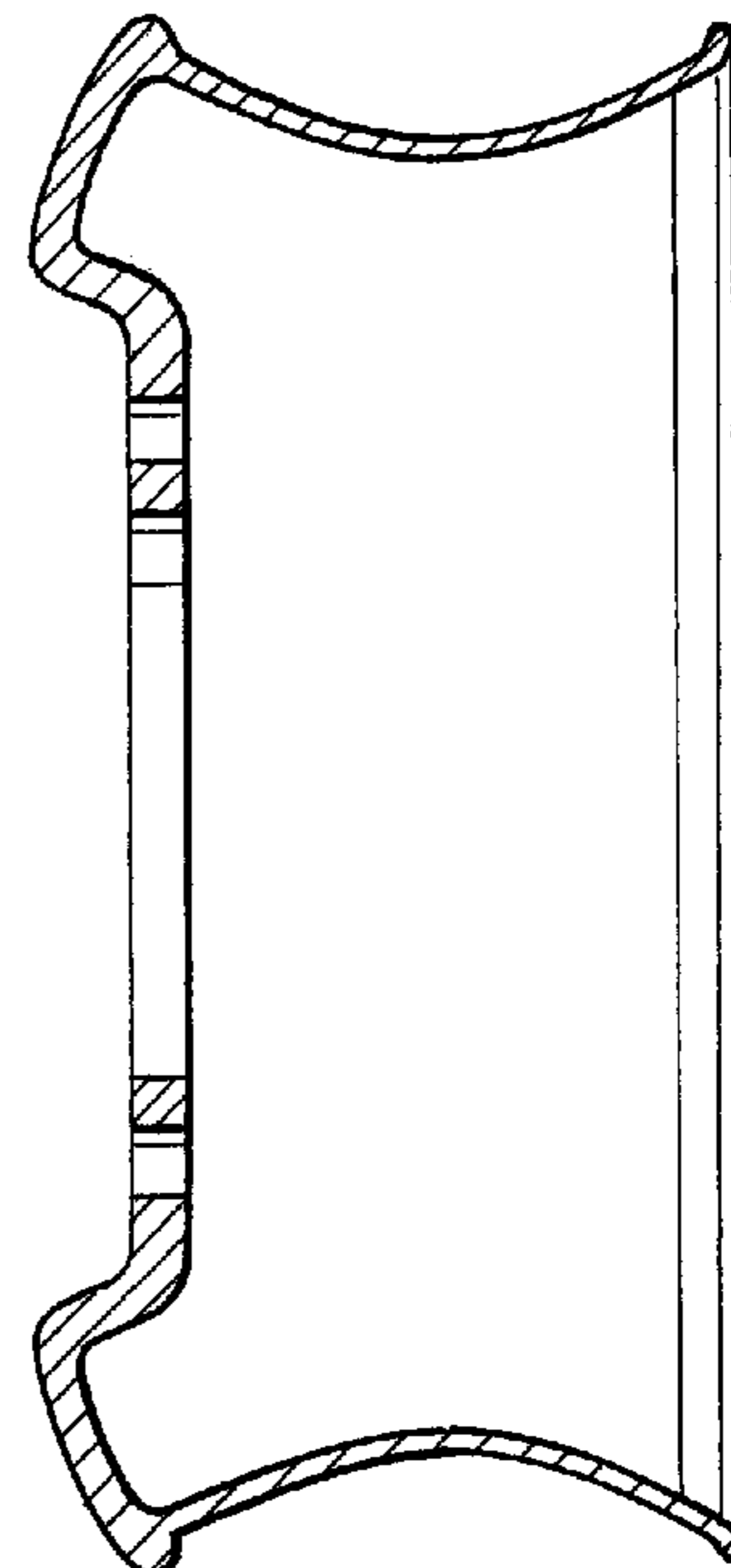
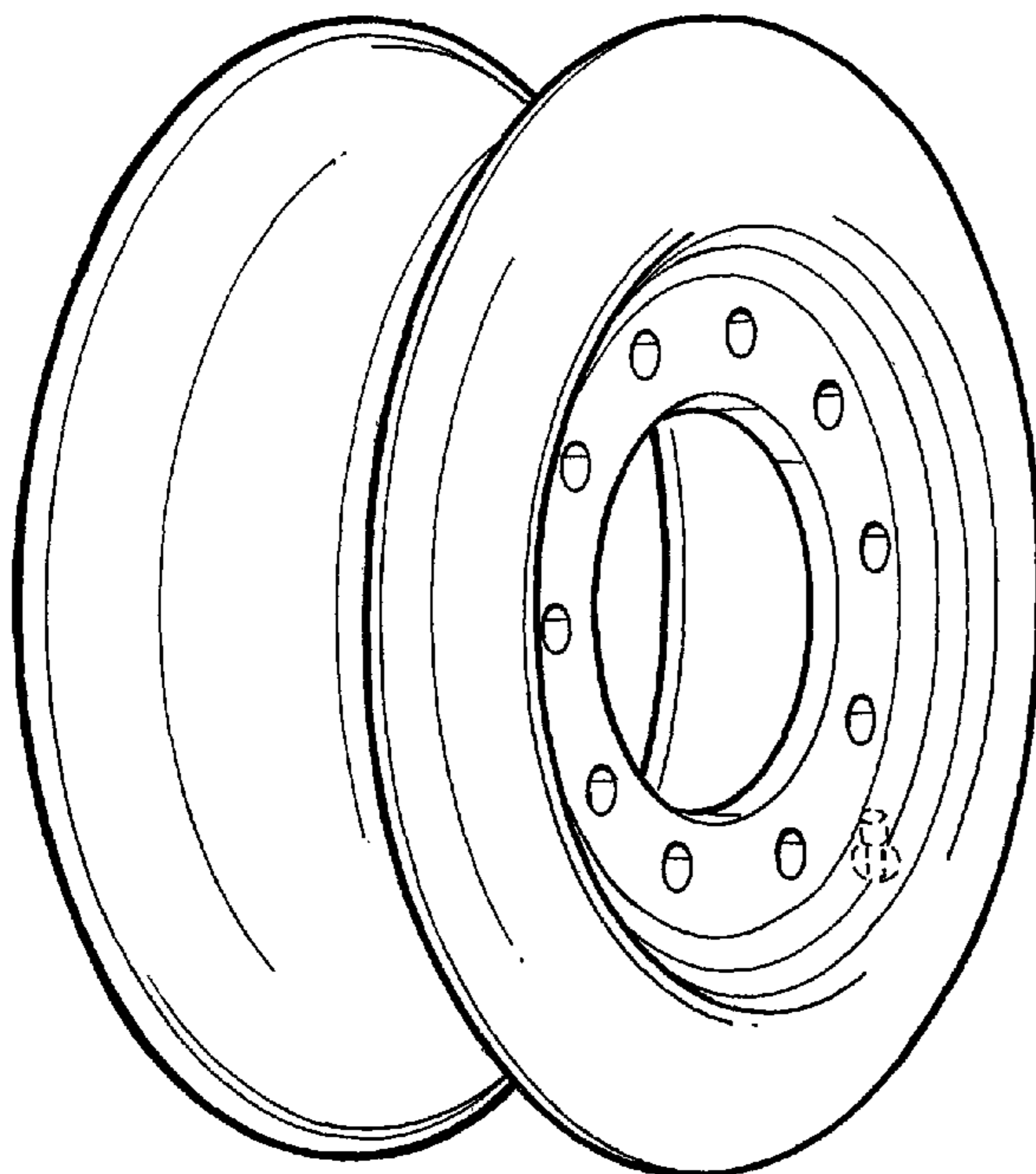
FIG. 6 is a front view thereof;

FIG. 7 is a side view thereof; and,

FIG. 8 is a cross-sectional view thereof, taken along line 8-8 shown in FIG. 6.

The broken lines are for illustrative purposes only and form no part of the claimed design.

1 Claim, 5 Drawing Sheets



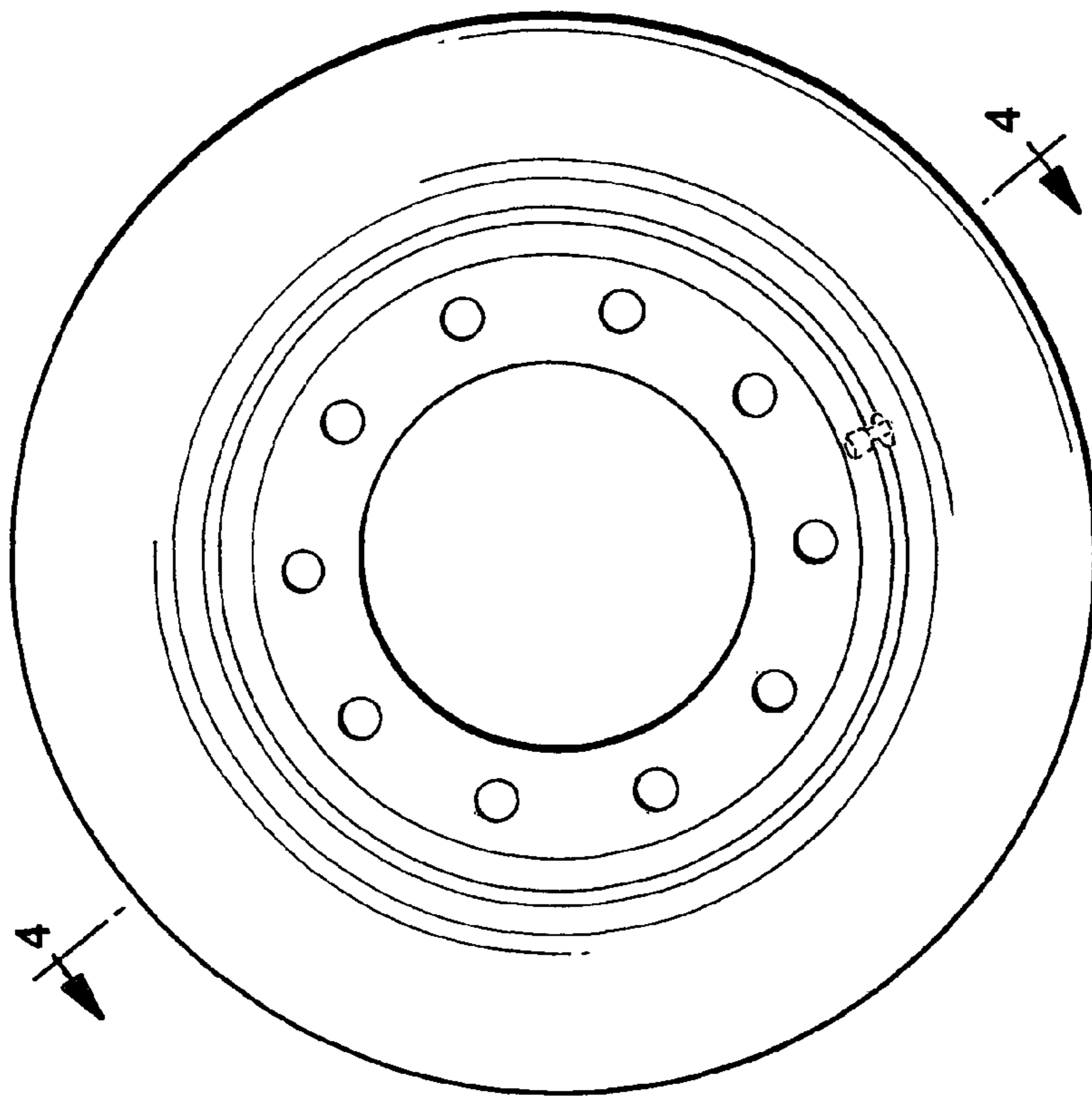


FIG. 2

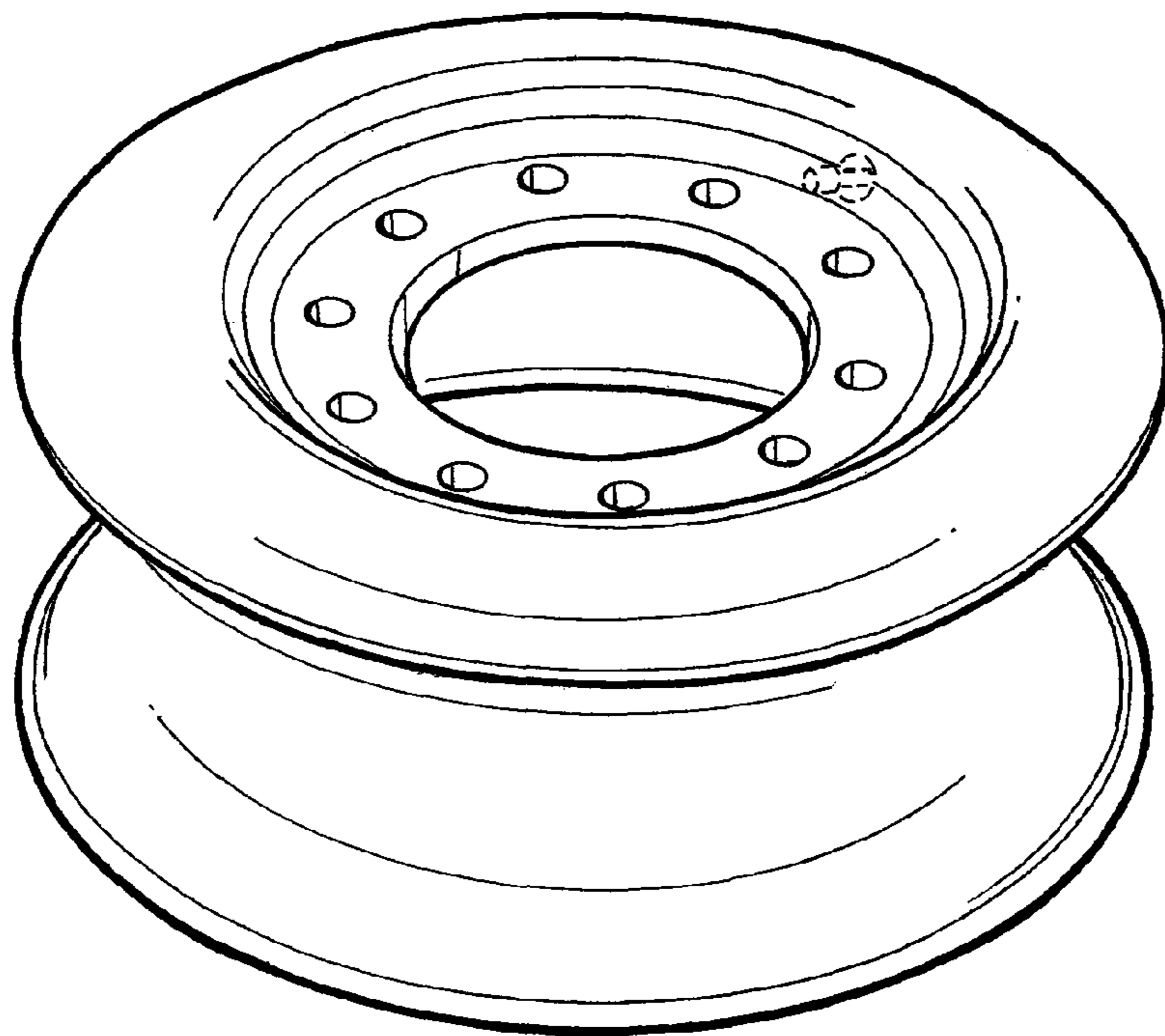


FIG. 1

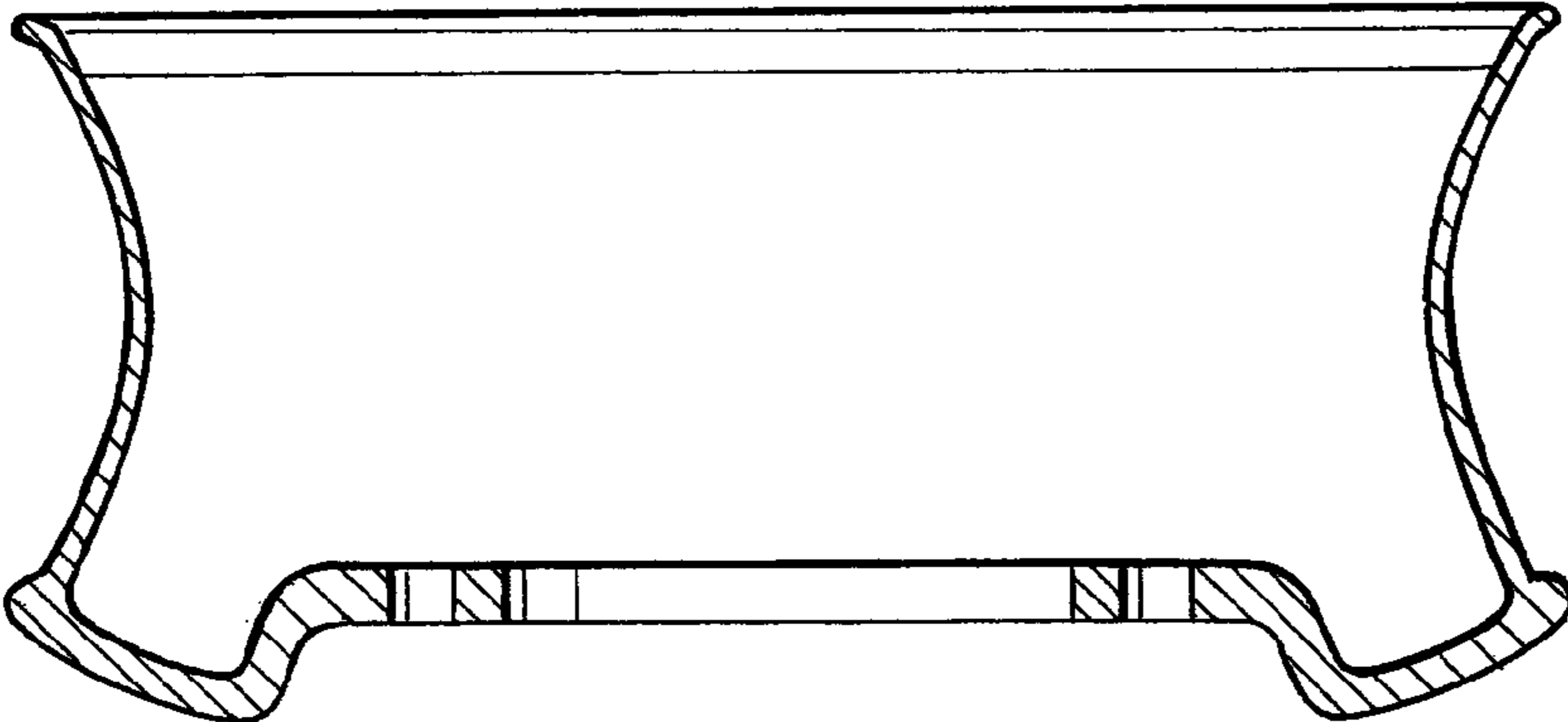


FIG. 3

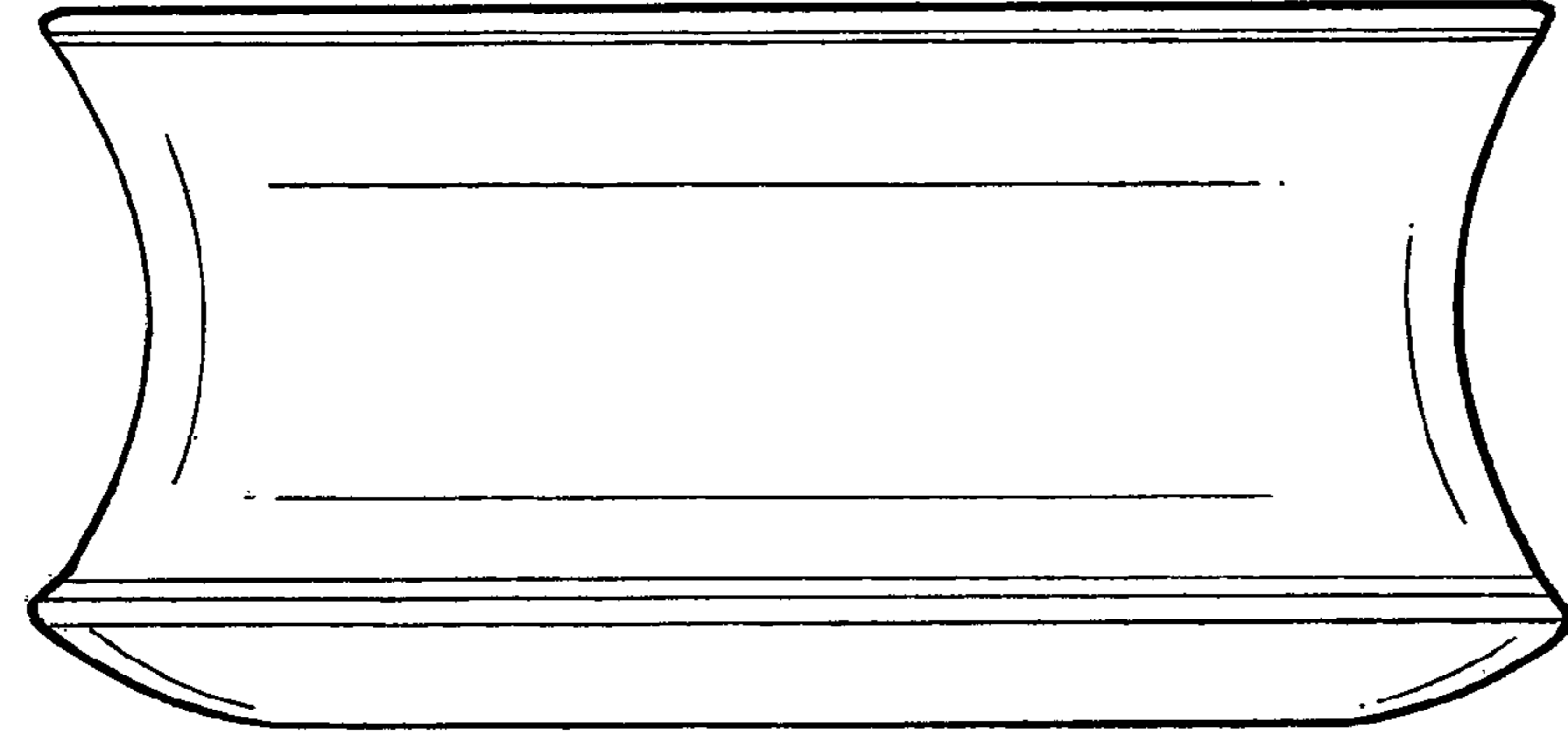


FIG. 4

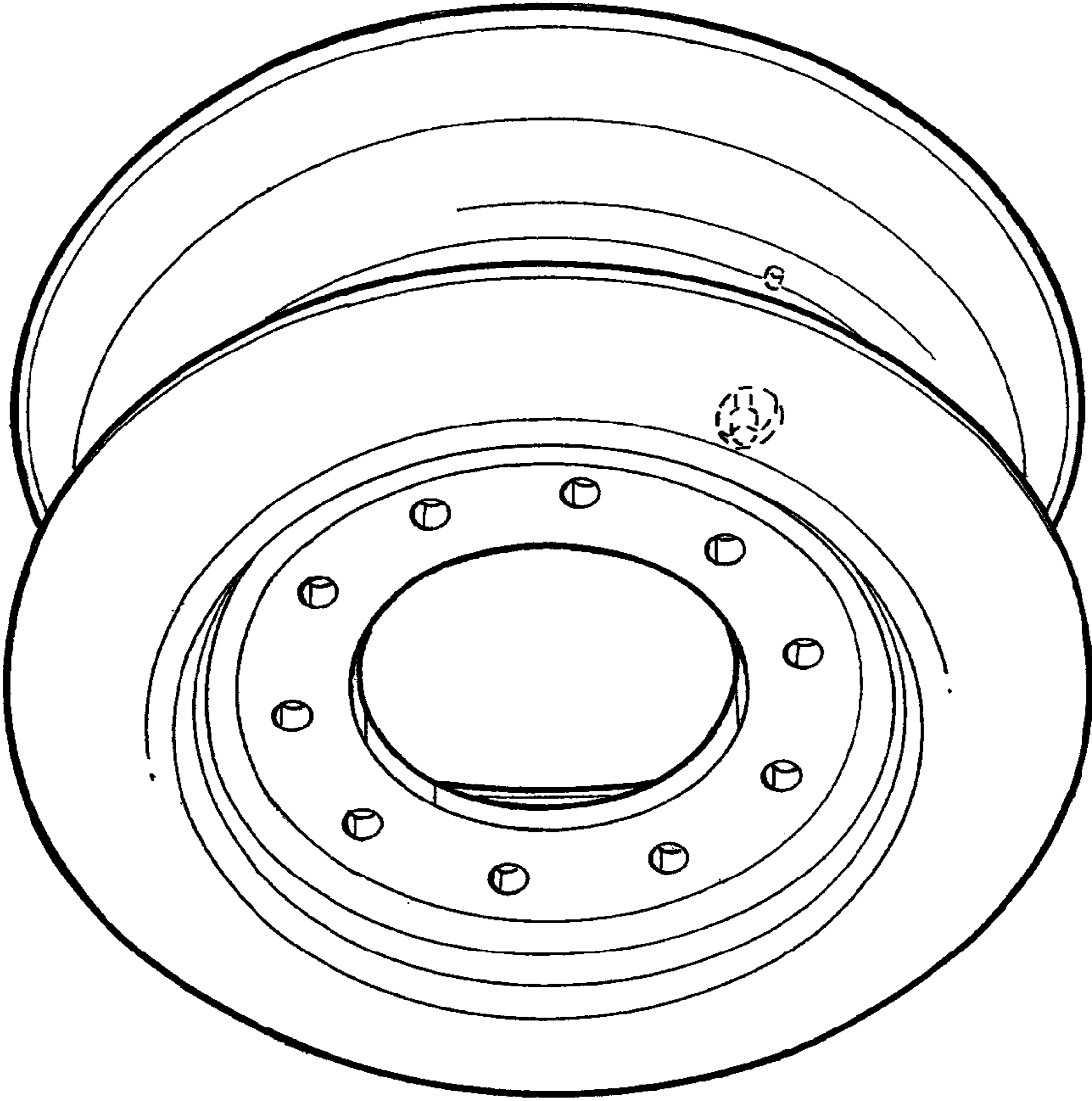


FIG. 5

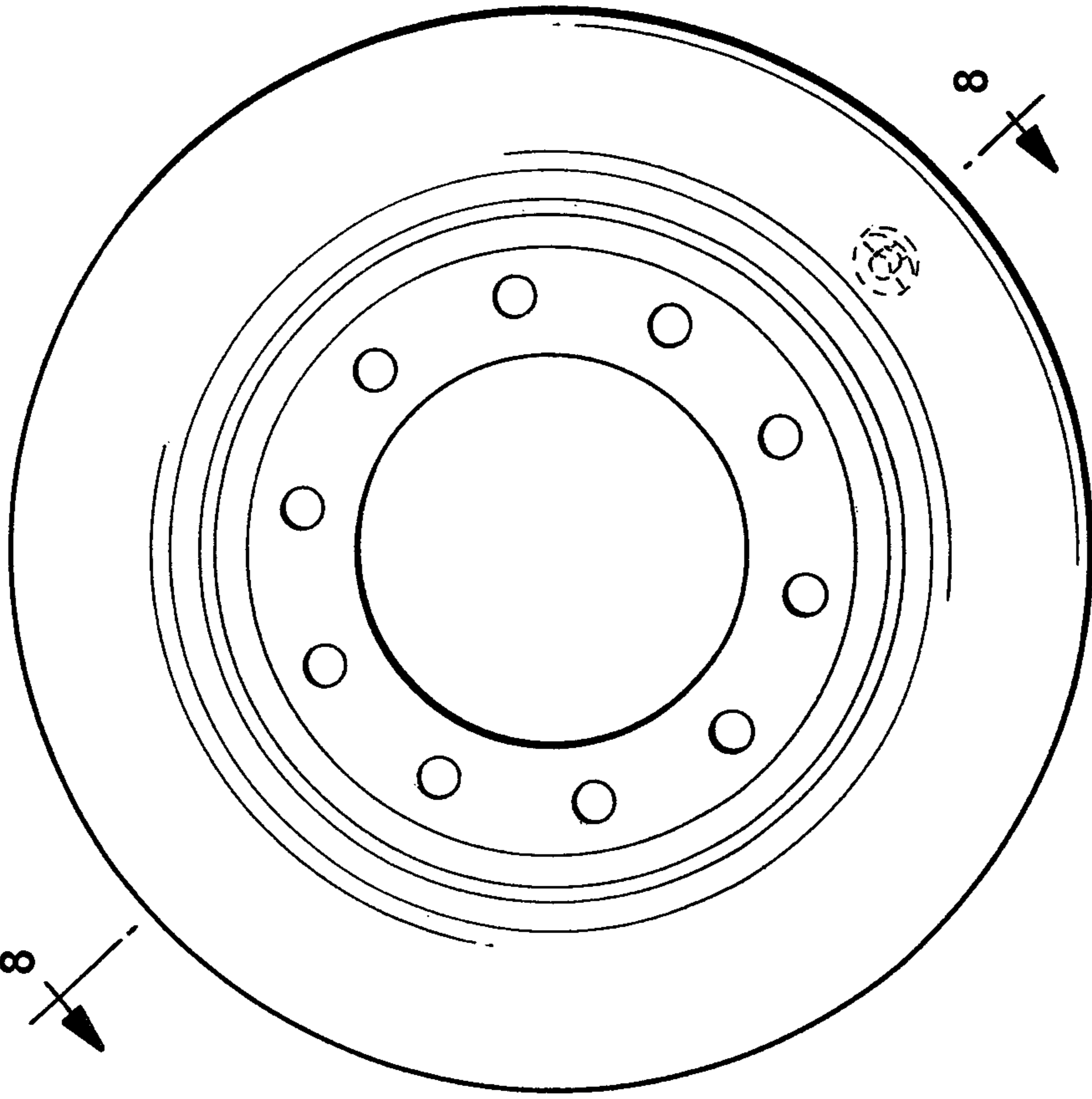


FIG. 6

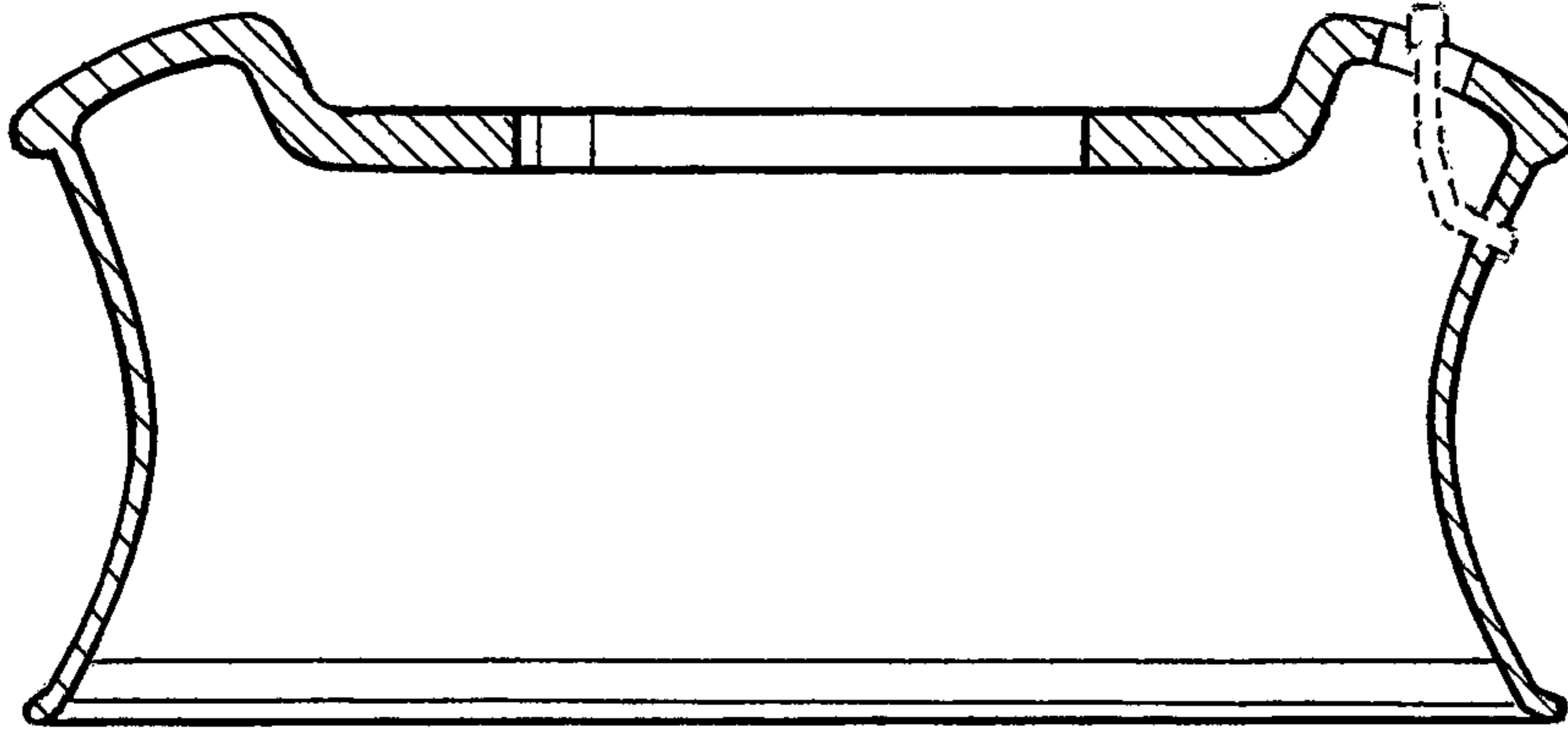


FIG. 8

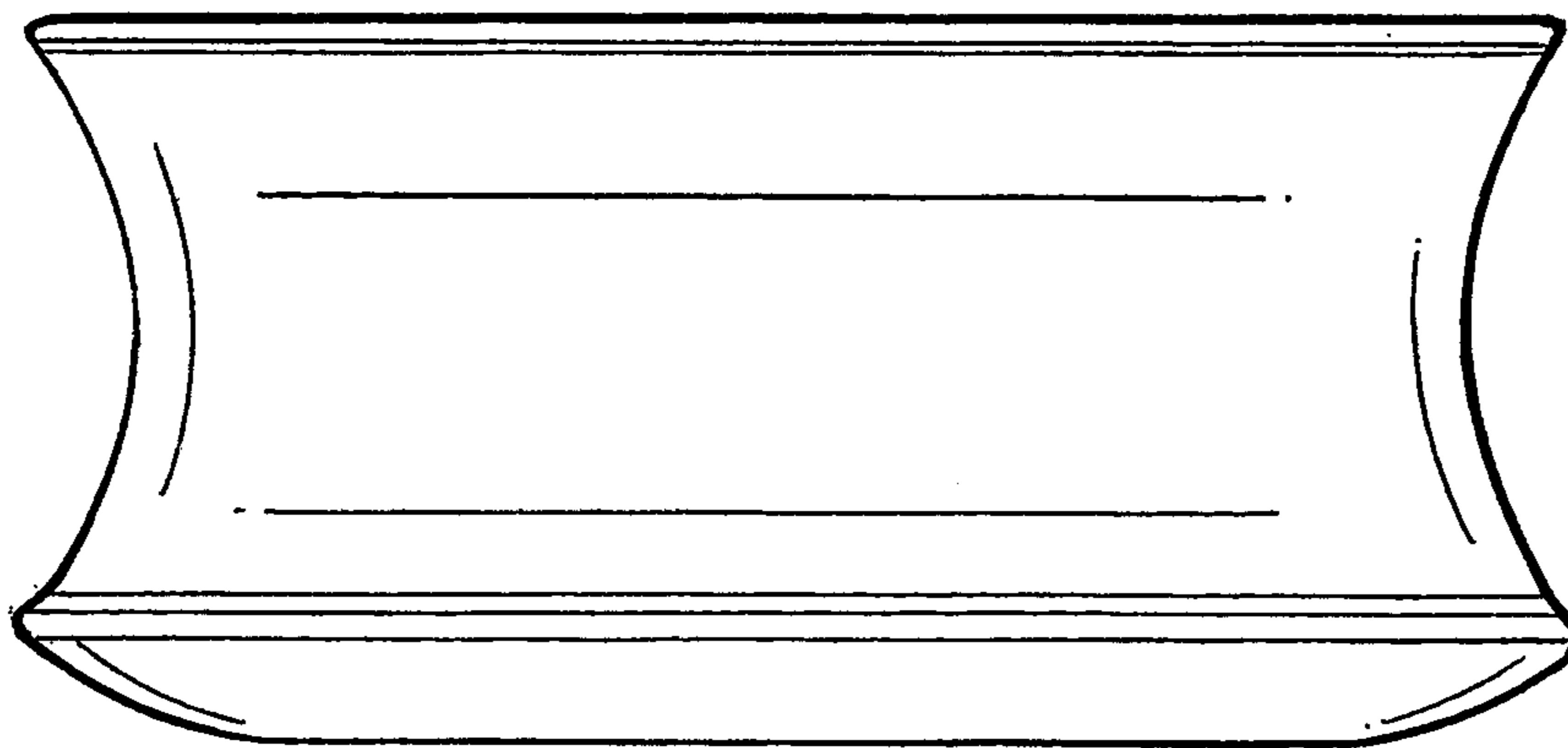


FIG. 7

UNITED STATES PATENT AND TRADEMARK OFFICE
CERTIFICATE OF CORRECTION

PATENT NO. : D721,999 S
APPLICATION NO. : 29/457779
DATED : February 3, 2015
INVENTOR(S) : Georgeanna Alemany, Ray Ayala and Evan Chenoweth

Page 1 of 1

It is certified that error appears in the above-identified patent and that said Letters Patent is hereby corrected as shown below:

In the Specification

In the first Line please insert:

--This invention was made with government support under DE-EE0003348 awarded by the U.S. Department of Energy. The government has certain rights in the invention.--

Signed and Sealed this
Eighth Day of October, 2024
Katherine Kelly Vidal

Katherine Kelly Vidal
Director of the United States Patent and Trademark Office