



US00D721997S

(12) **United States Design Patent**
Hedge et al.

(10) **Patent No.:** **US D721,997 S**

(45) **Date of Patent:** **** Feb. 3, 2015**

(54) **AUTOMOBILE INTERIOR**

(56)

References Cited

(71) Applicants: **Ian Hedge**, Ferndale, MI (US); **Stephen J Sowinski**, Rochester Hills, MI (US); **Cliff Wilkins**, Rochester Hills, MI (US); **Klaus Busse**, Lake Orion, MI (US); **Robert Walker**, Birmingham, MI (US)

U.S. PATENT DOCUMENTS

D405,408	S	*	2/1999	Yoshida et al.	D12/192
D419,936	S	*	2/2000	Sacco et al.	D12/192
D577,640	S	*	9/2008	Wyszogrod et al.	D12/192
D637,539	S	*	5/2011	Welch et al.	D12/192
D641,672	S	*	7/2011	Willoughby et al.	D12/192
D641,674	S	*	7/2011	Kim et al.	D12/192
D693,753	S	*	11/2013	Cheung et al.	D12/192
D704,610	S	*	5/2014	Mizuhata et al.	D12/192

(72) Inventors: **Ian Hedge**, Ferndale, MI (US); **Stephen J Sowinski**, Rochester Hills, MI (US); **Cliff Wilkins**, Rochester Hills, MI (US); **Klaus Busse**, Lake Orion, MI (US); **Robert Walker**, Birmingham, MI (US)

* cited by examiner

Primary Examiner — Katrina A Betton

(73) Assignee: **Chrysler Group LLC**, Auburn Hills, MI (US)

(74) *Attorney, Agent, or Firm* — Ralph E Smith

(**) Term: **14 Years**

(57)

CLAIM

The ornamental design for an automobile interior, as shown and described.

(21) Appl. No.: **29/486,633**

(22) Filed: **Apr. 1, 2014**

DESCRIPTION

(51) **LOC (10) Cl.** **12-16**

(52) **U.S. Cl.**
USPC **D12/192**

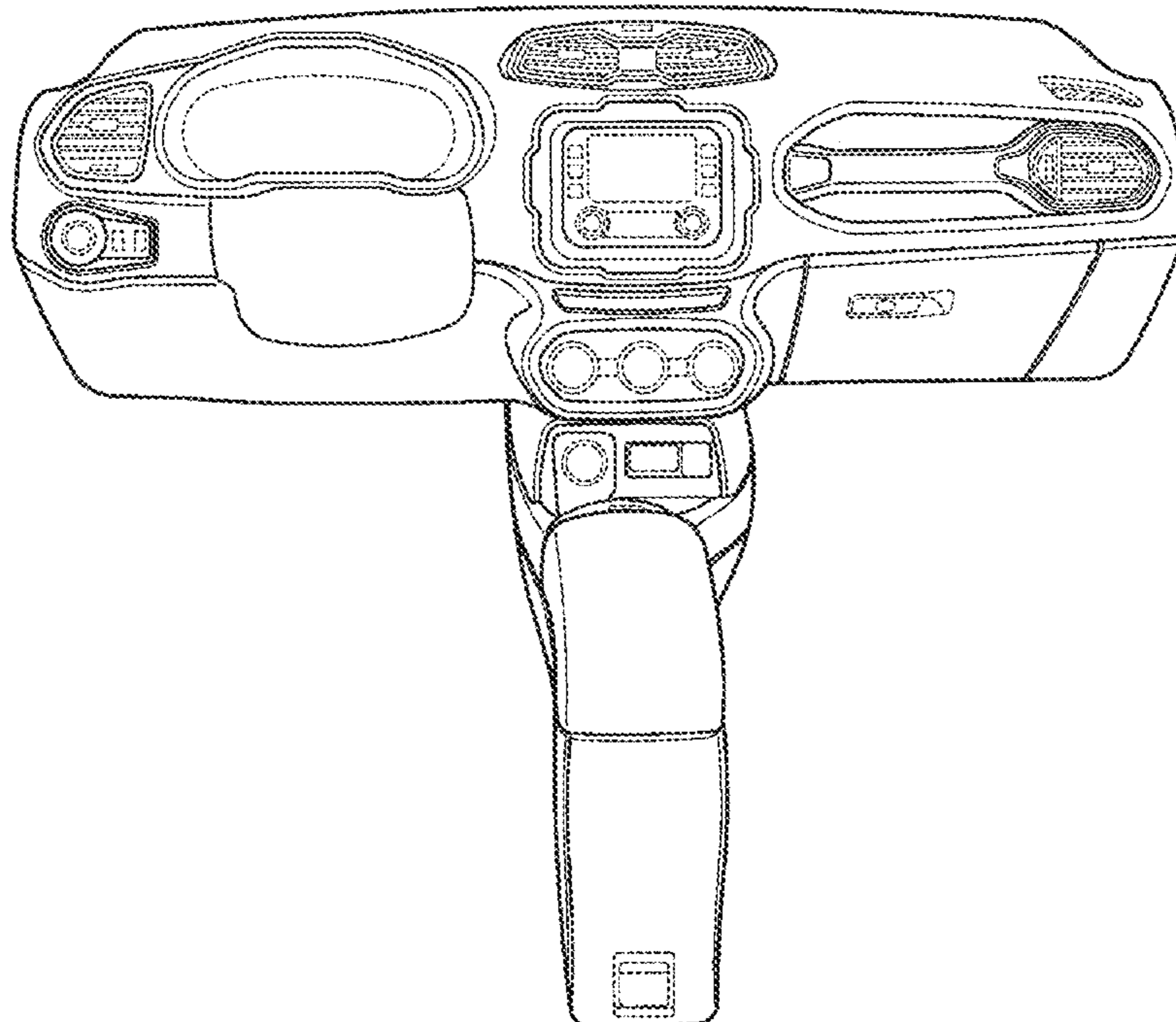
(58) **Field of Classification Search**
USPC D12/192, 415, 110, 114; D10/46, 98,
D10/102-103, 122-127; D15/17, 28;
296/190.01-190.09, 191, 70;
280/750-752; 180/90

FIG. 1 is a passenger-side perspective view of an automobile interior showing our new design; FIG. 2 is a driver-side perspective view thereof; and, FIG. 3 is a front view thereof.

It will be understood that the dashed lines presented in the drawings are for illustration only, and do not form a part of the claimed design.

See application file for complete search history.

1 Claim, 3 Drawing Sheets



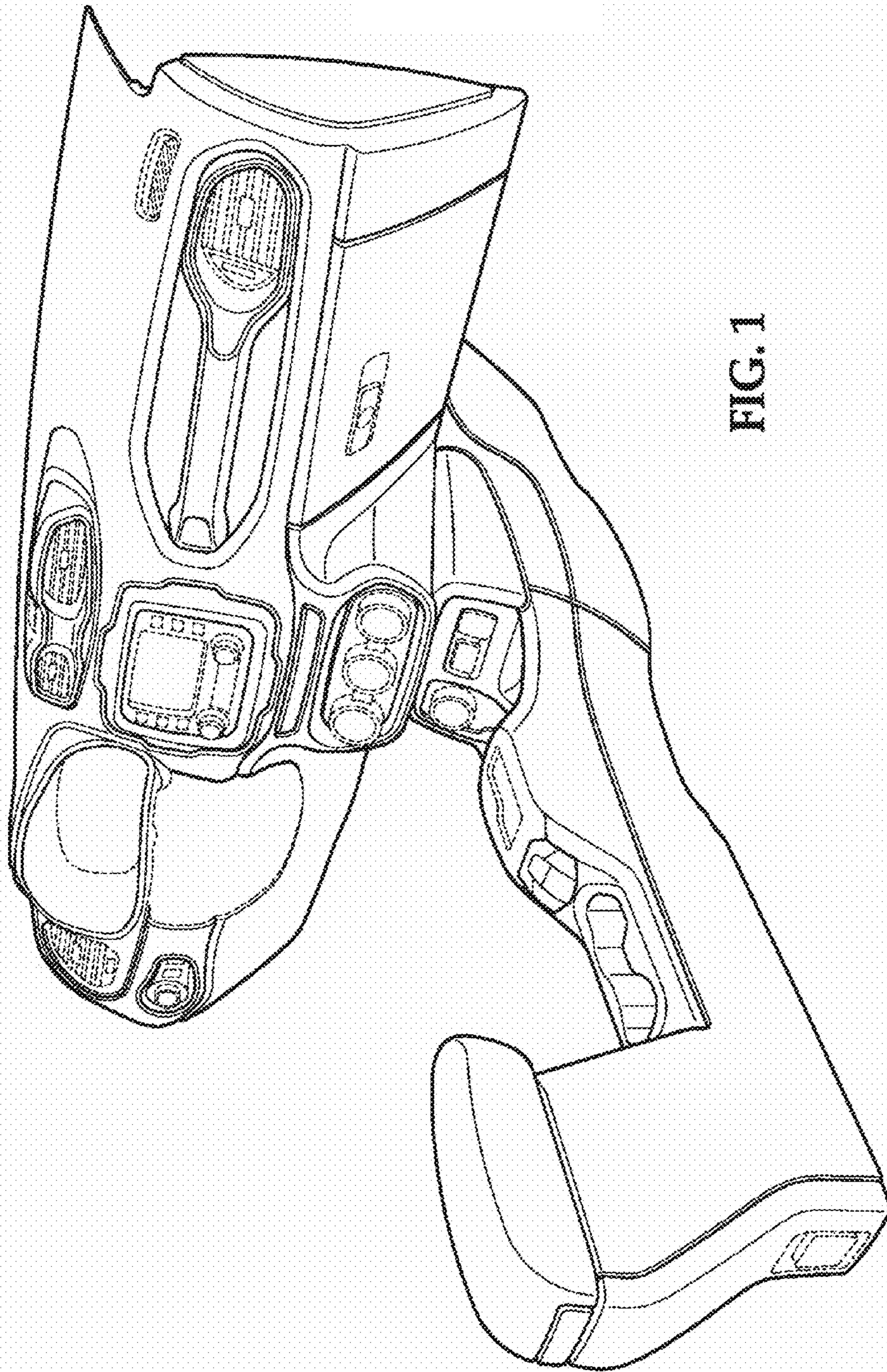


FIG. 1

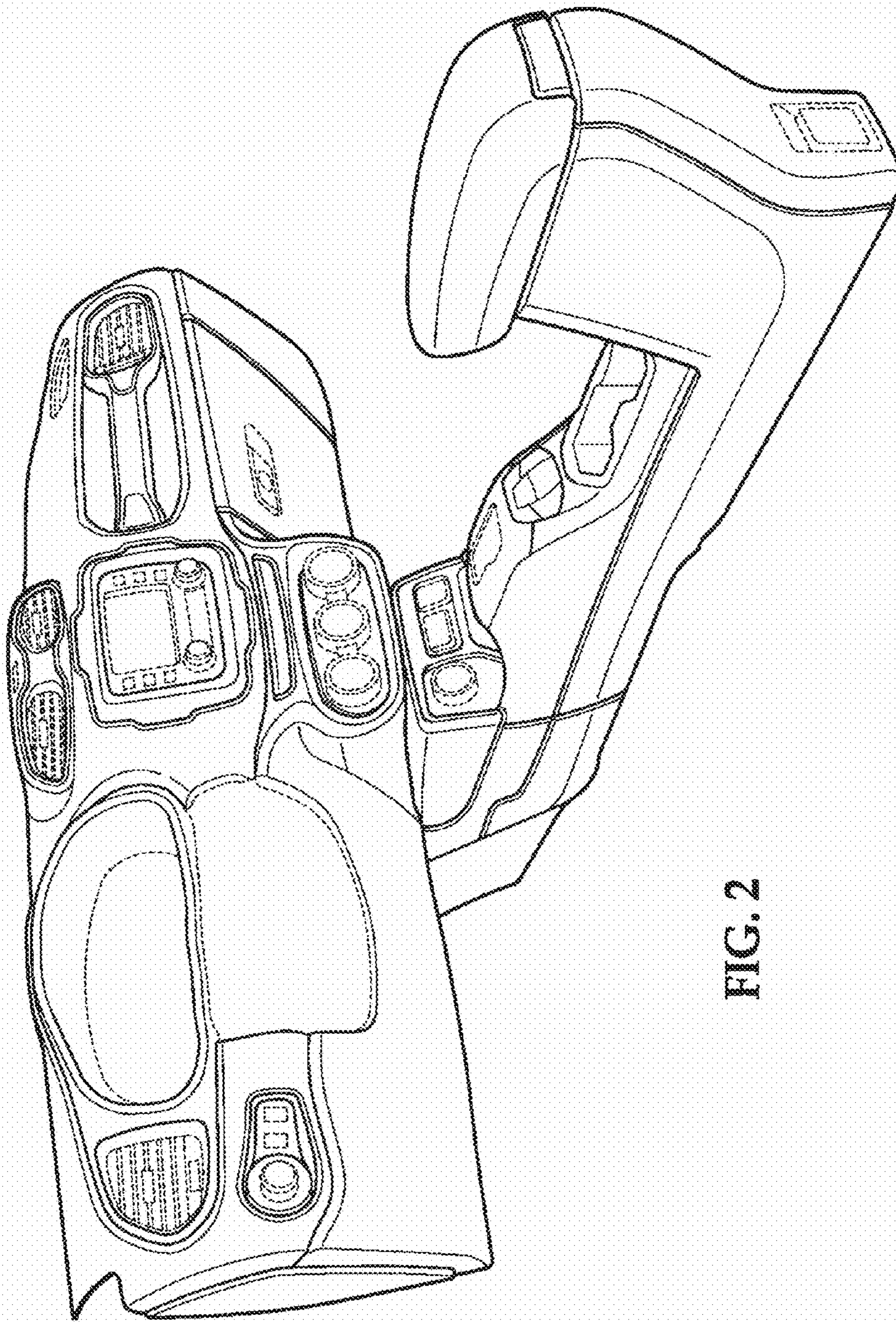


FIG. 2

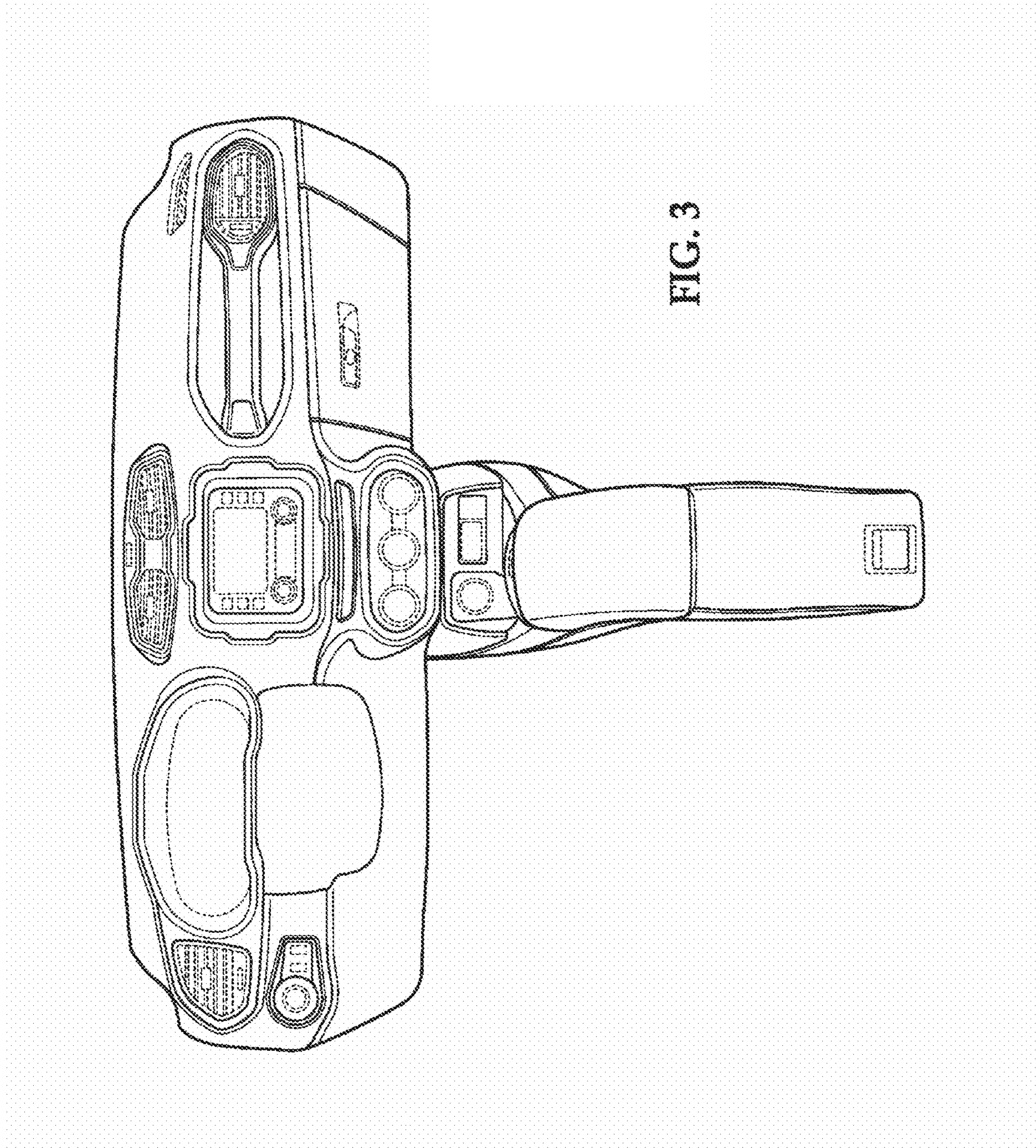


FIG. 3