



US00D721995S

(12) **United States Design Patent**  
**Johansson**

(10) **Patent No.:** **US D721,995 S**  
(45) **Date of Patent:** **\*\* Feb. 3, 2015**

(54) **DASHBOARD INSTRUMENT FOR VEHICLES**

(56) **References Cited**

(71) Applicant: **Prezip Technology AB**, Västra Frölunda  
(SE)

U.S. PATENT DOCUMENTS

(72) Inventor: **Martin Johansson**, Göteborg (SE)

D650,728 S *	12/2011	Mayrand et al. ....	D12/192
D654,415 S *	2/2012	Mizuno .....	D12/192
D656,440 S *	3/2012	Klein .....	D12/192
D673,487 S *	1/2013	Hanson et al. ....	D12/192
D704,611 S *	5/2014	Tilscher .....	D12/192
2009/0206627 A1 *	8/2009	Duplantis et al. ....	296/72

(73) Assignee: **Prezip Technology AB**, Vastra Frolunda  
(SE)

\* cited by examiner

(\*\*) Term: **14 Years**

*Primary Examiner* — Katrina A Betton

(21) Appl. No.: **29/476,811**

(74) *Attorney, Agent, or Firm* — Buchanan Ingersoll & Rooney PC

(22) Filed: **Dec. 17, 2013**

(57) **CLAIM**

The ornamental design for a dashboard instrument for vehicles, as shown and described.

(51) **LOC (10) Cl.** ..... **12-16**

**DESCRIPTION**

(52) **U.S. Cl.**  
USPC ..... **D12/192**

FIG. 1 is a perspective view of a dashboard instrument for vehicles.

(58) **Field of Classification Search**  
USPC ..... D12/192, 415, 110, 114; 180/90;  
280/750-752; 296/190.01-190.09,  
296/191, 70; D15/17, 28; D10/46, 98,  
D10/102-103, 122-127

FIG. 2 is a front elevational view thereof.

FIG. 3 is a rear elevational view thereof.

FIG. 4 is a right side elevational view thereof.

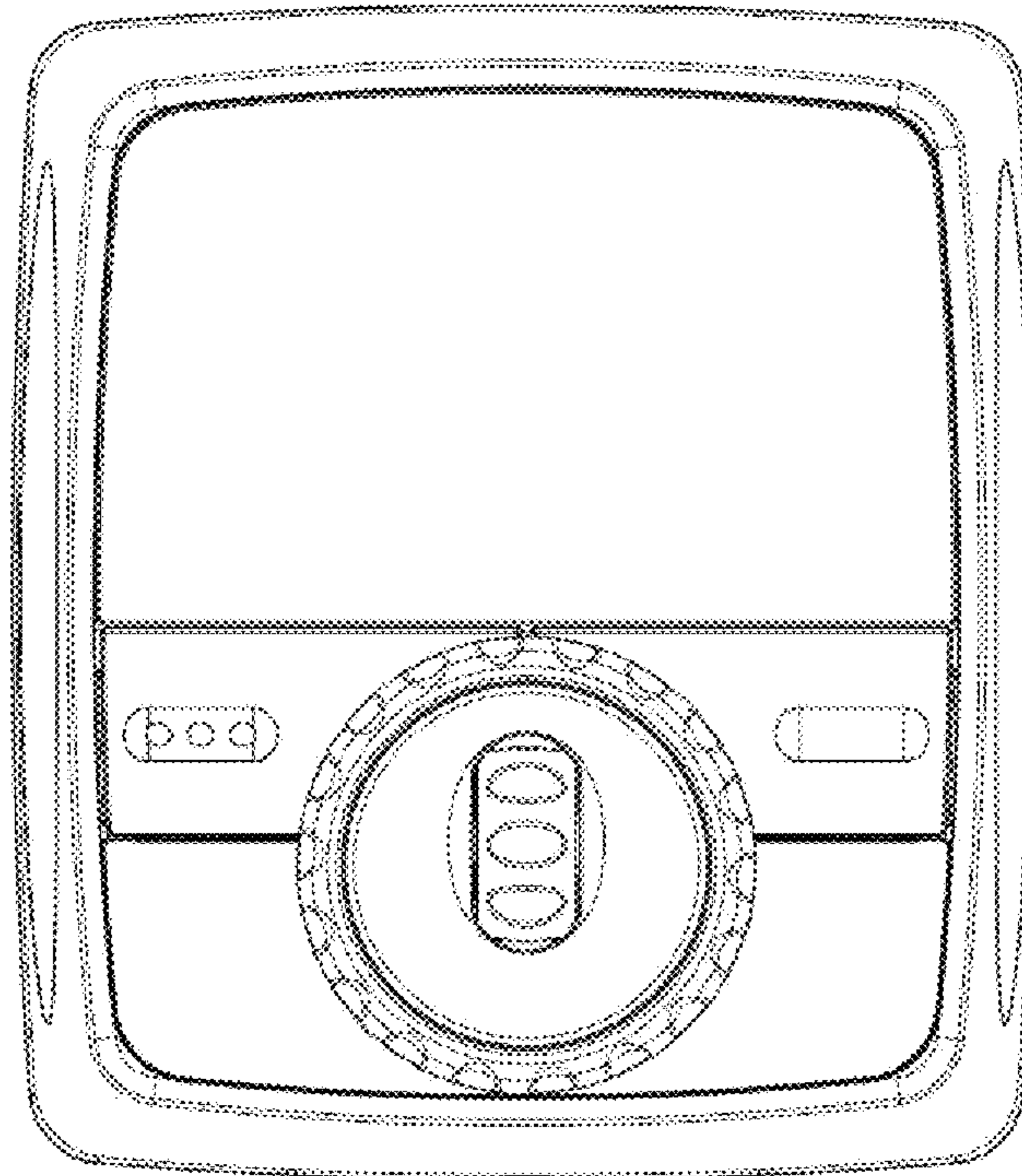
FIG. 5 is a left side elevational view thereof.

FIG. 6 is a top view thereof; and,

FIG. 7 is a bottom view thereof.

See application file for complete search history.

**1 Claim, 4 Drawing Sheets**



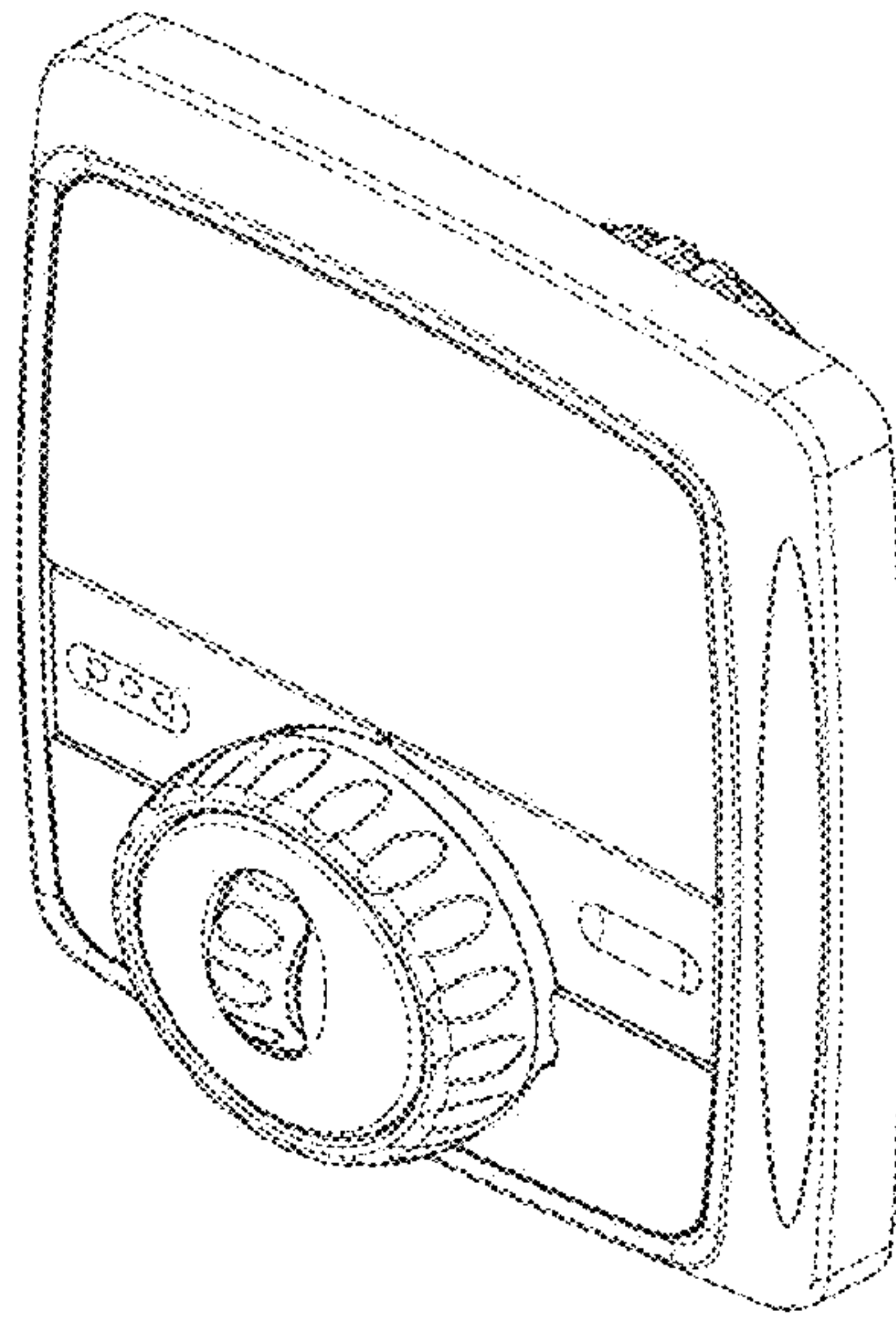


FIG. 1

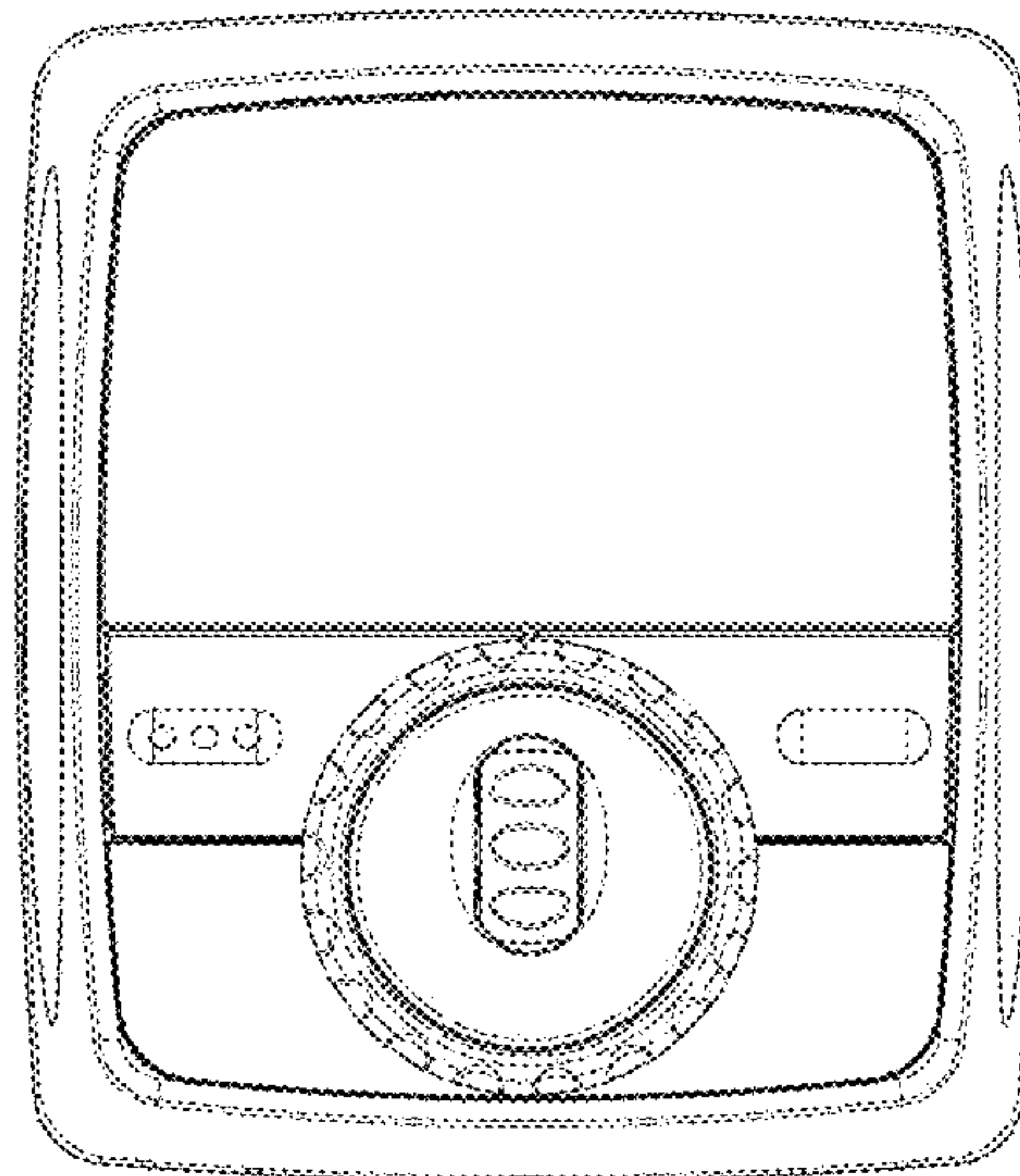


FIG. 2

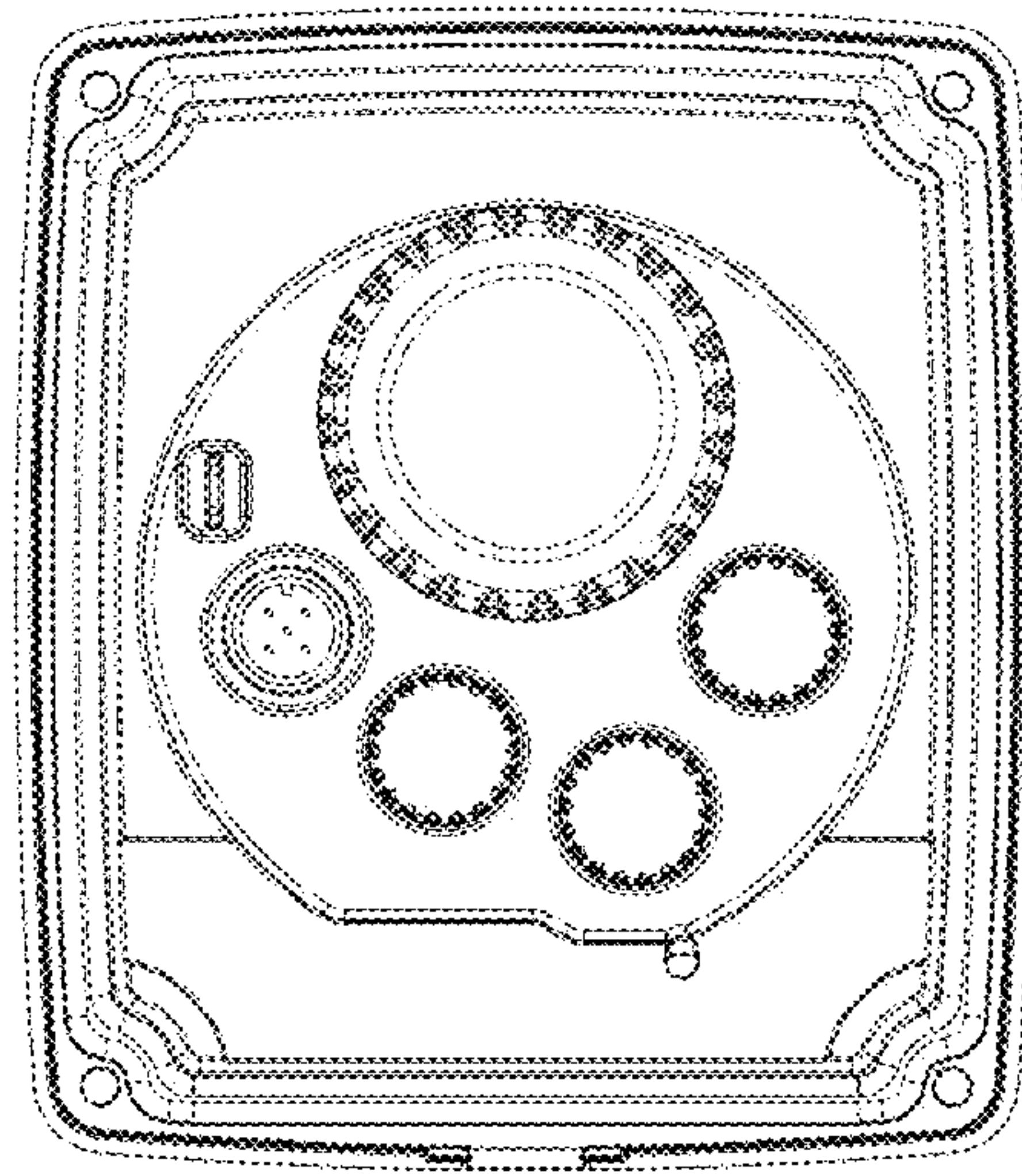


FIG. 3

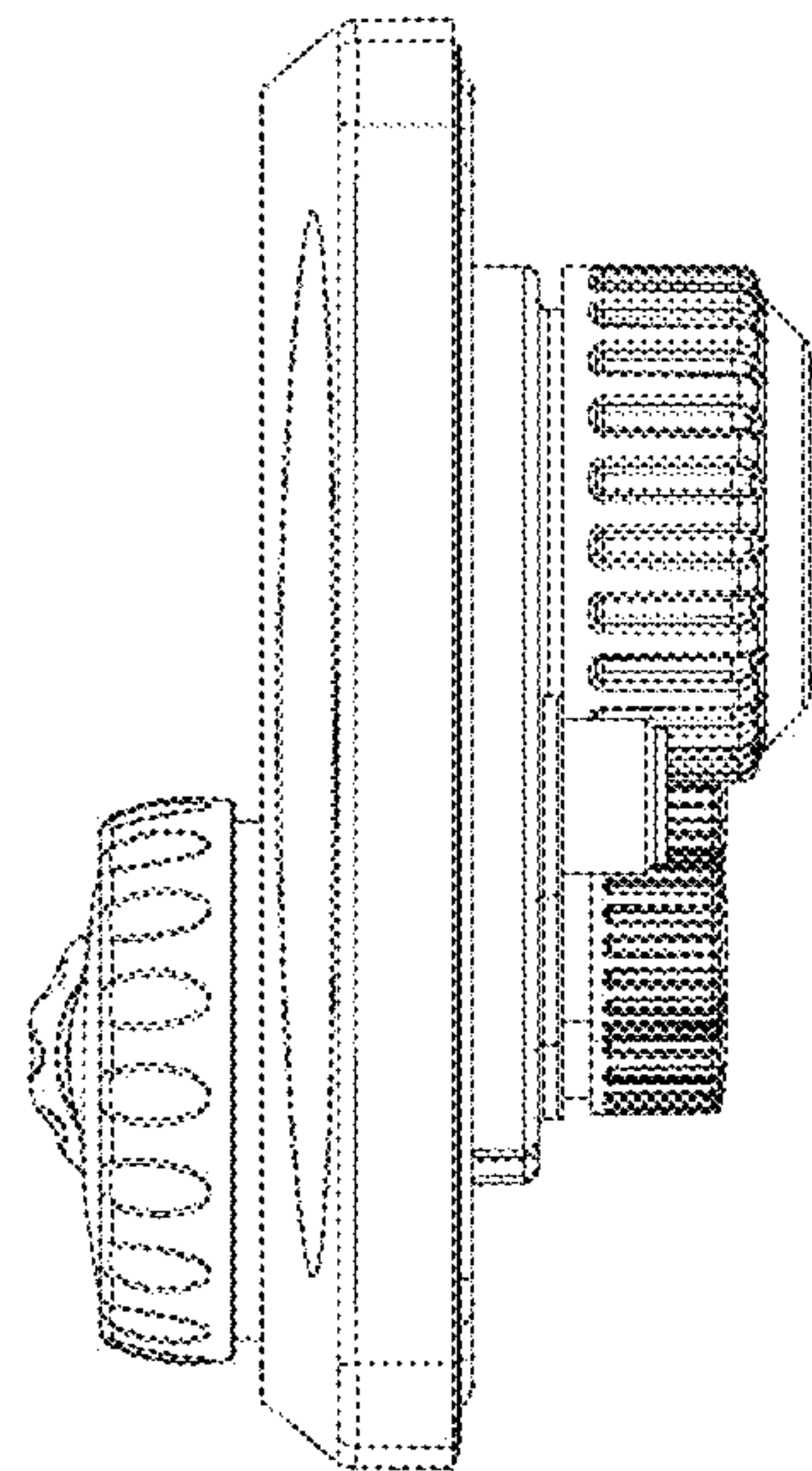


FIG. 4

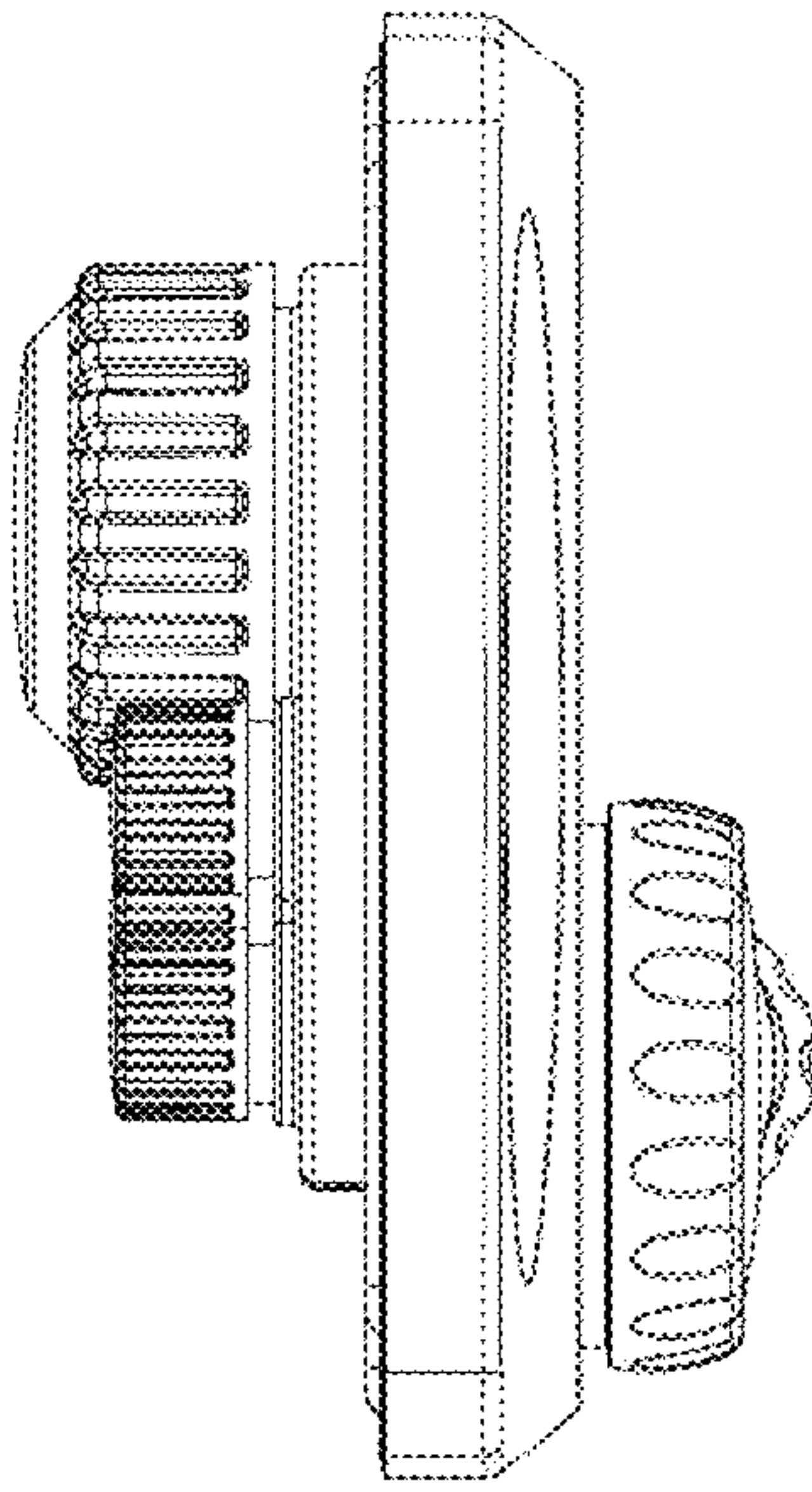


FIG. 5

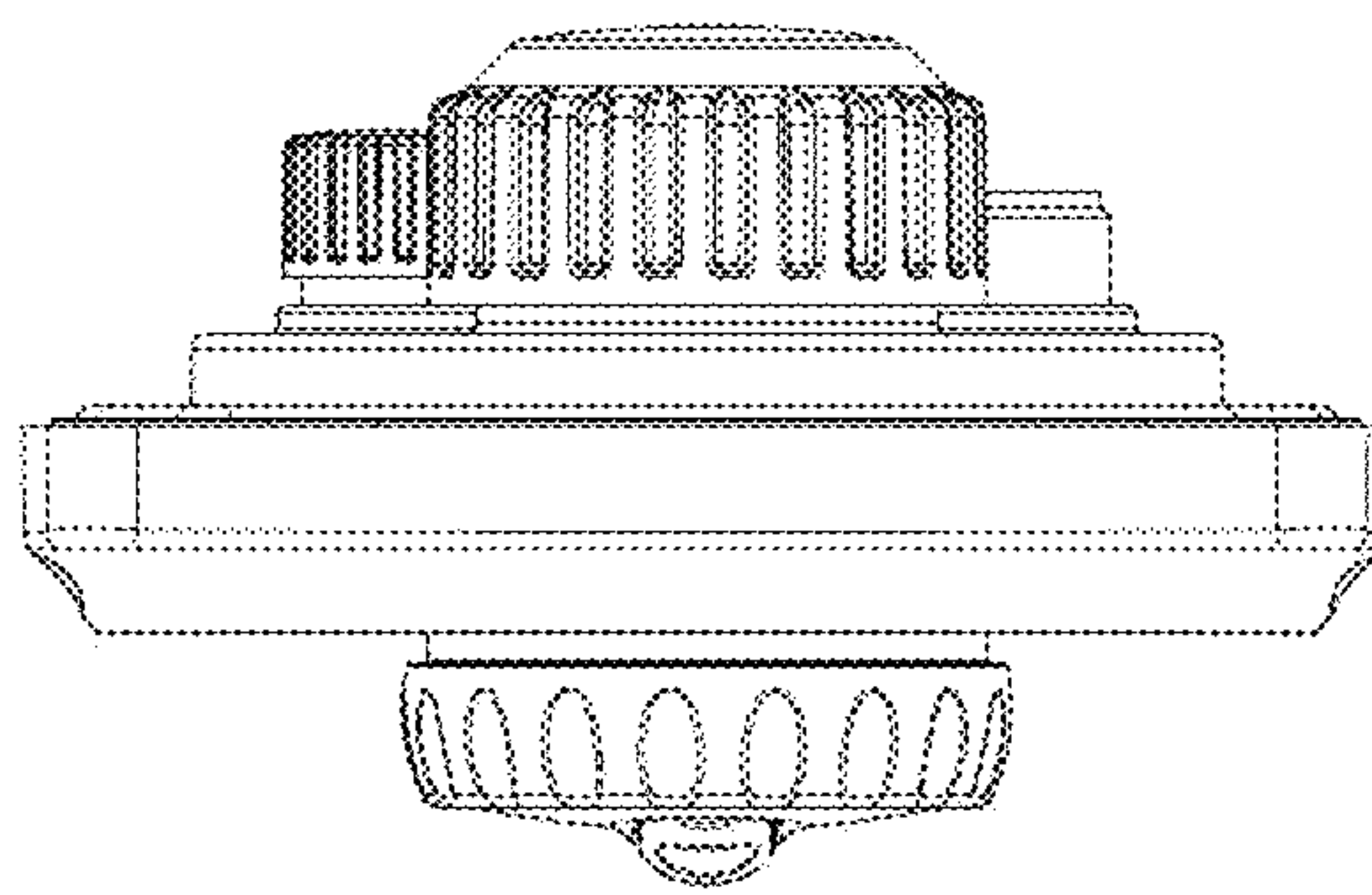


FIG. 6



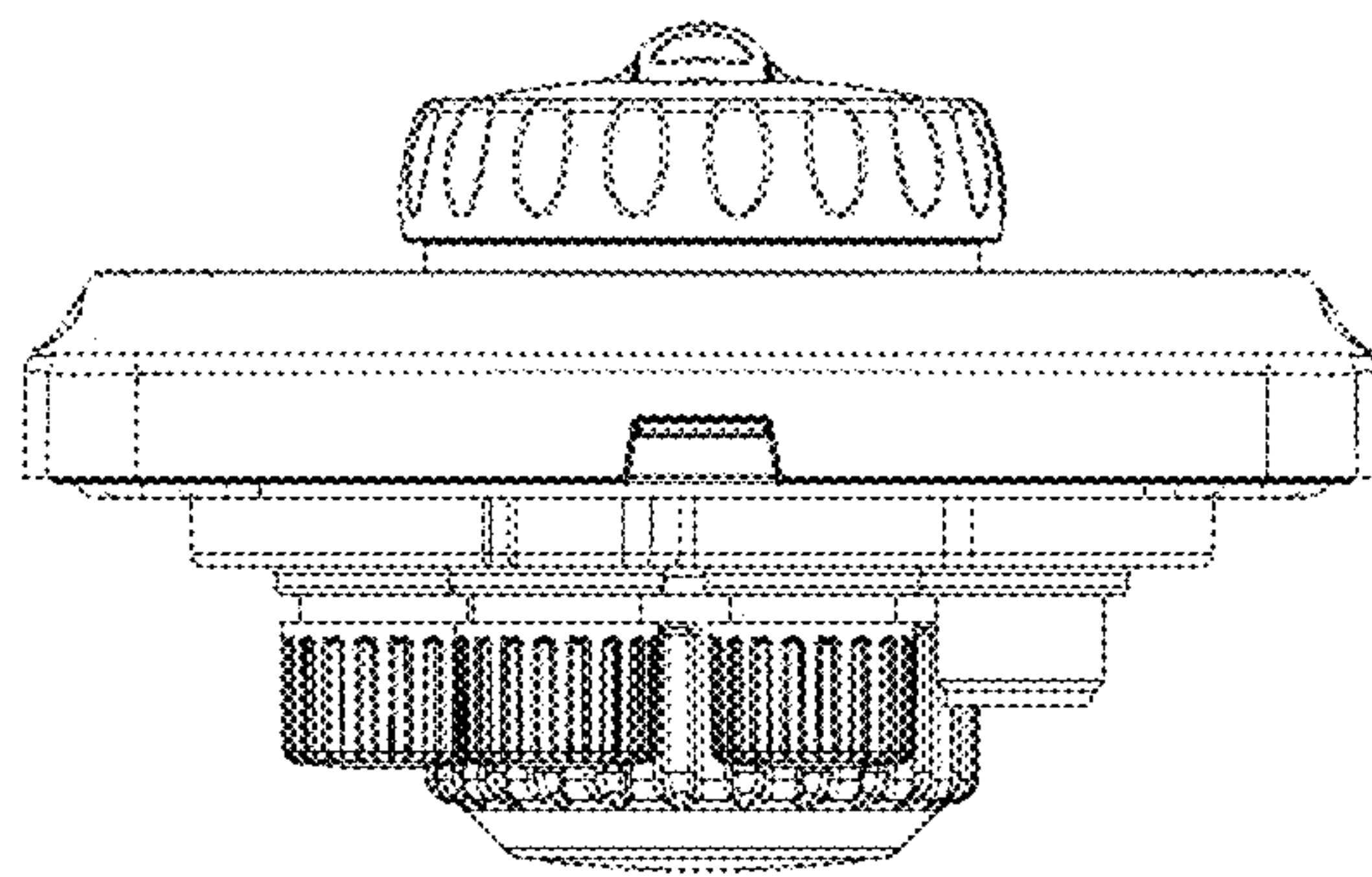


FIG. 7