



US00D721994S

(12) **United States Design Patent**
Graber et al.

(10) **Patent No.:** **US D721,994 S**

(45) **Date of Patent:** **** Feb. 3, 2015**

(54) **WORK VEHICLE BODY**

(71) Applicant: **Deere & Company**, Moline, IL (US)

(72) Inventors: **Travis Graber**, Farley, IA (US); **Chris L. Pigott**, Durango, IA (US); **Thomas H. Ward**, Ventura, CA (US); **Jose Alberto Casas Pena**, Thousand Oaks, CA (US); **Fernando Pardo**, Newbury Park, CA (US); **Michael Trump**, Santa Monica, CA (US)

(73) Assignee: **Deere & Company**, Moline, IL (US)

(**) Term: **14 Years**

(21) Appl. No.: **29/498,798**

(22) Filed: **Aug. 7, 2014**

(51) **LOC (10) Cl.** **12-08**

(52) **U.S. Cl.**
USPC **D12/173; D15/31**

(58) **Field of Classification Search**
USPC D15/10, 22-26, 30, 33, 28, 31;
D12/173, 96, 97, 98, 12, 90-92, 196;
296/180.1-180.3, 181.1-185.1, 183,
296/183.1, 185, 186, 186.1; 180/89.12,
180/89.1, 242, 44, 86.1, 86.6
See application file for complete search history.

(56) **References Cited**

U.S. PATENT DOCUMENTS

D307,126 S * 4/1990 Allendorph et al. D12/173
D391,908 S * 3/1998 Allendorph et al. D12/173
D447,754 S * 9/2001 Smith et al. D15/31
D448,037 S * 9/2001 Westimayer et al. D15/31
D458,943 S * 6/2002 Briggs et al. D15/30
D465,499 S * 11/2002 Briggs et al. D15/30

D556,654 S * 12/2007 Lee et al. D12/173
D565,607 S * 4/2008 Moen et al. D15/31
7,810,887 B2 * 10/2010 Hjerth et al. 298/17 S
D643,050 S * 8/2011 Rajderkar et al. D15/31
D645,801 S * 9/2011 Beigel et al. D12/173
D654,401 S * 2/2012 Peltola et al. D12/96
D660,874 S * 5/2012 Werner et al. D15/10
D668,695 S * 10/2012 Ringer D15/31
D676,786 S * 2/2013 Werner et al. D12/15
D696,697 S * 12/2013 Cooksey D15/10
D705,163 S 5/2014 Lauper et al.

* cited by examiner

Primary Examiner — Mark Goodwin

(74) *Attorney, Agent, or Firm* — Quarles & Brady LLP

(57) **CLAIM**

The ornamental design for a work vehicle body, as shown and described.

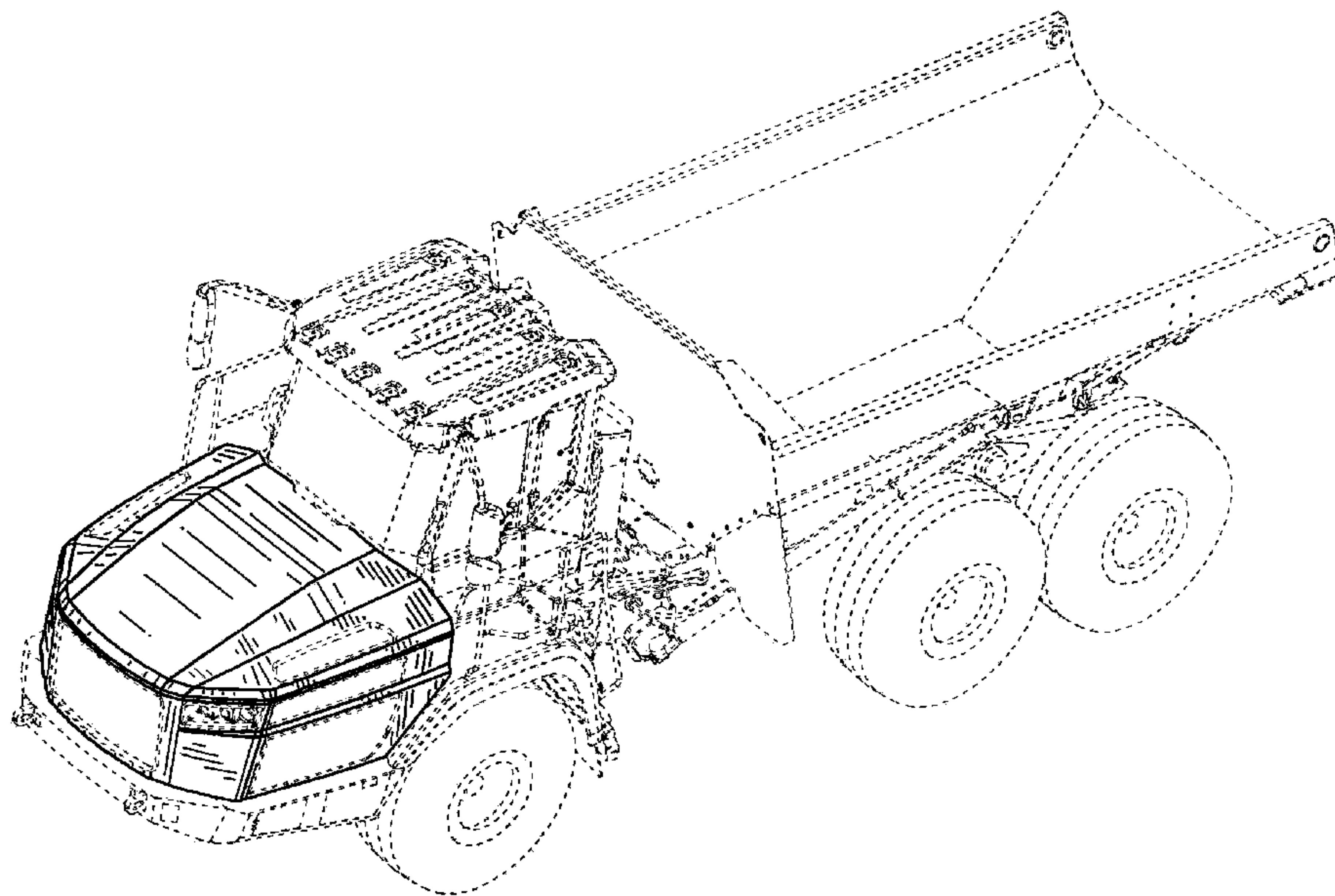
DESCRIPTION

FIG. 1 is a top, front, left perspective view of a work vehicle body showing our new design with example work vehicle environment;
FIG. 2 is a left side elevational view thereof;
FIG. 3 is a right side elevational view thereof;
FIG. 4 is a front end view thereof;
FIG. 5 is a rear end view thereof;
FIG. 6 is a top plan view thereof; and,
FIG. 7 is a bottom plan view thereof.

The broken line representations in the figures, including the broken line work vehicle environment, show unclaimed environment or boundaries, and thus form no part of the claimed design.

The nature of this product is an exterior body for a vehicle, such as a work vehicle used in the construction industry, for example a power head for a dump truck.

1 Claim, 6 Drawing Sheets



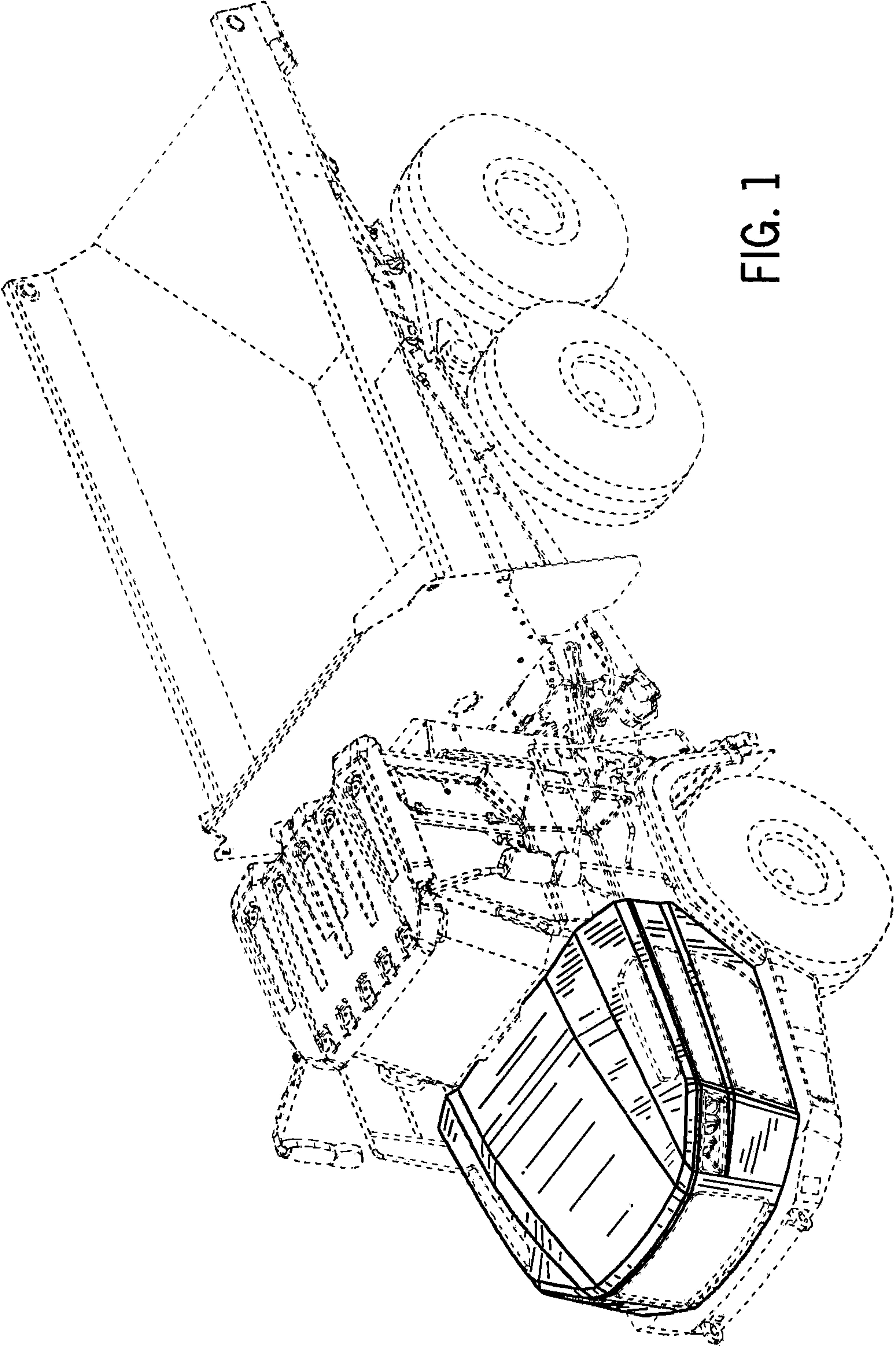


FIG. 1

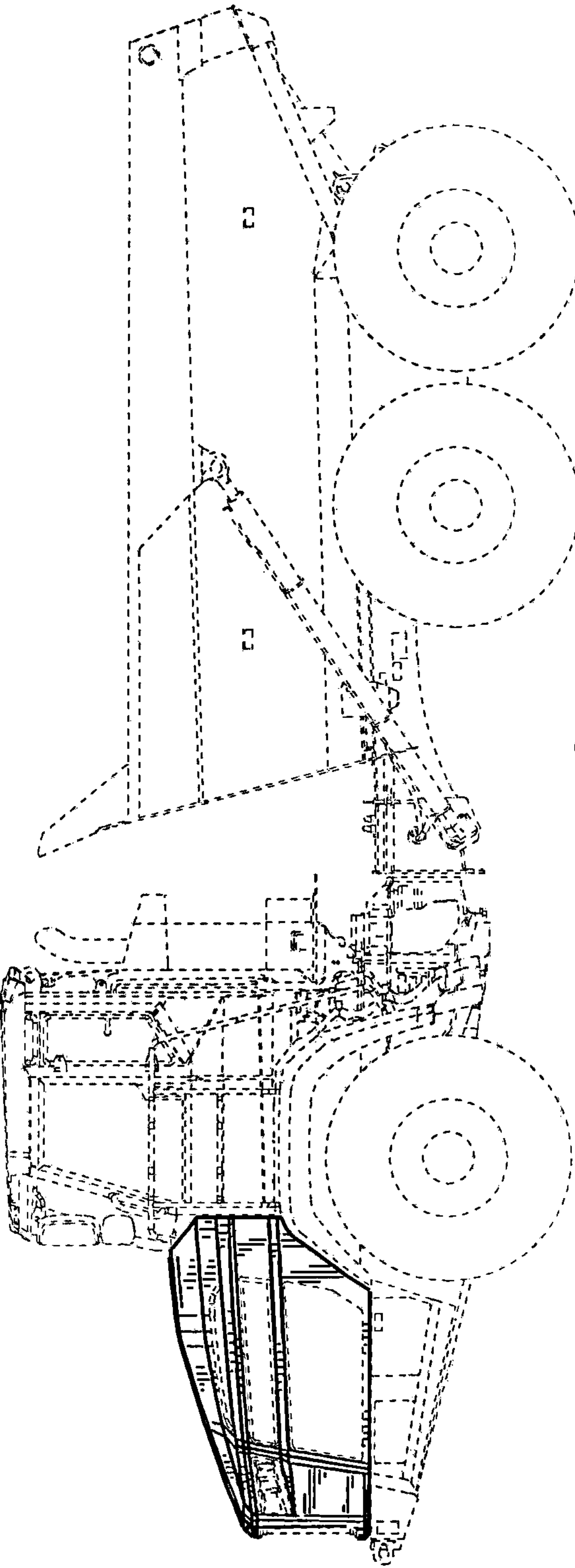


FIG. 2

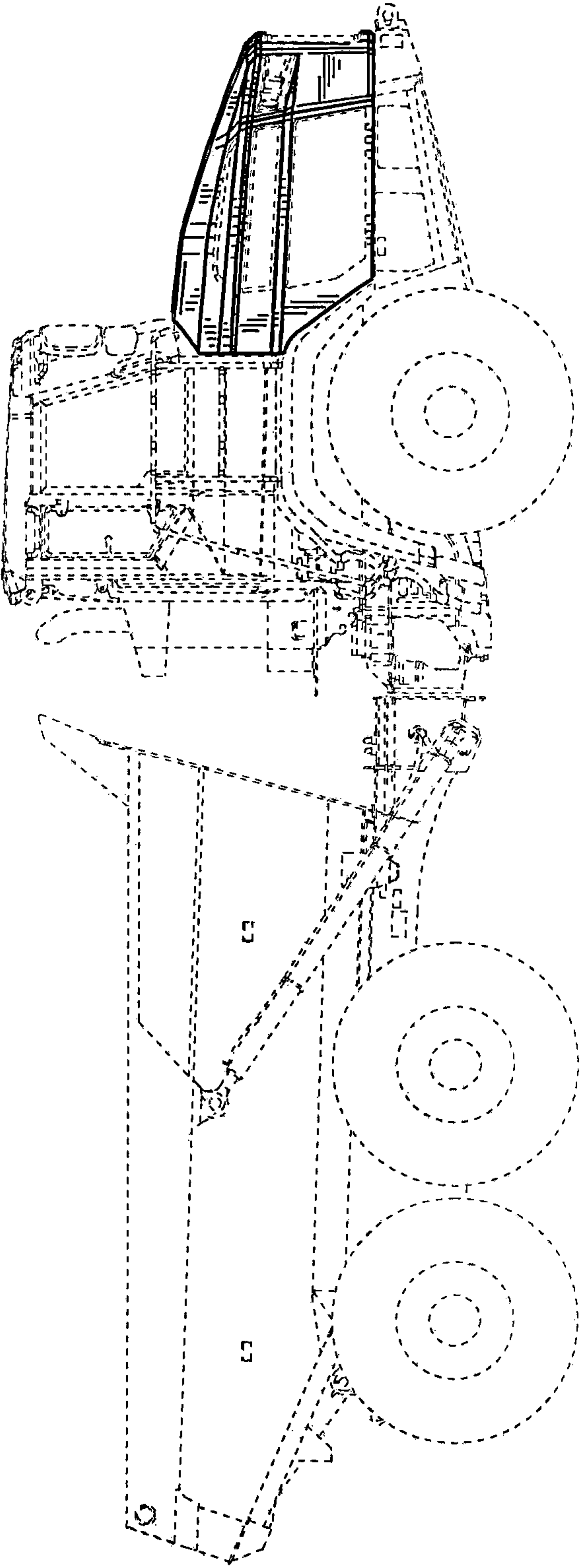


FIG. 3

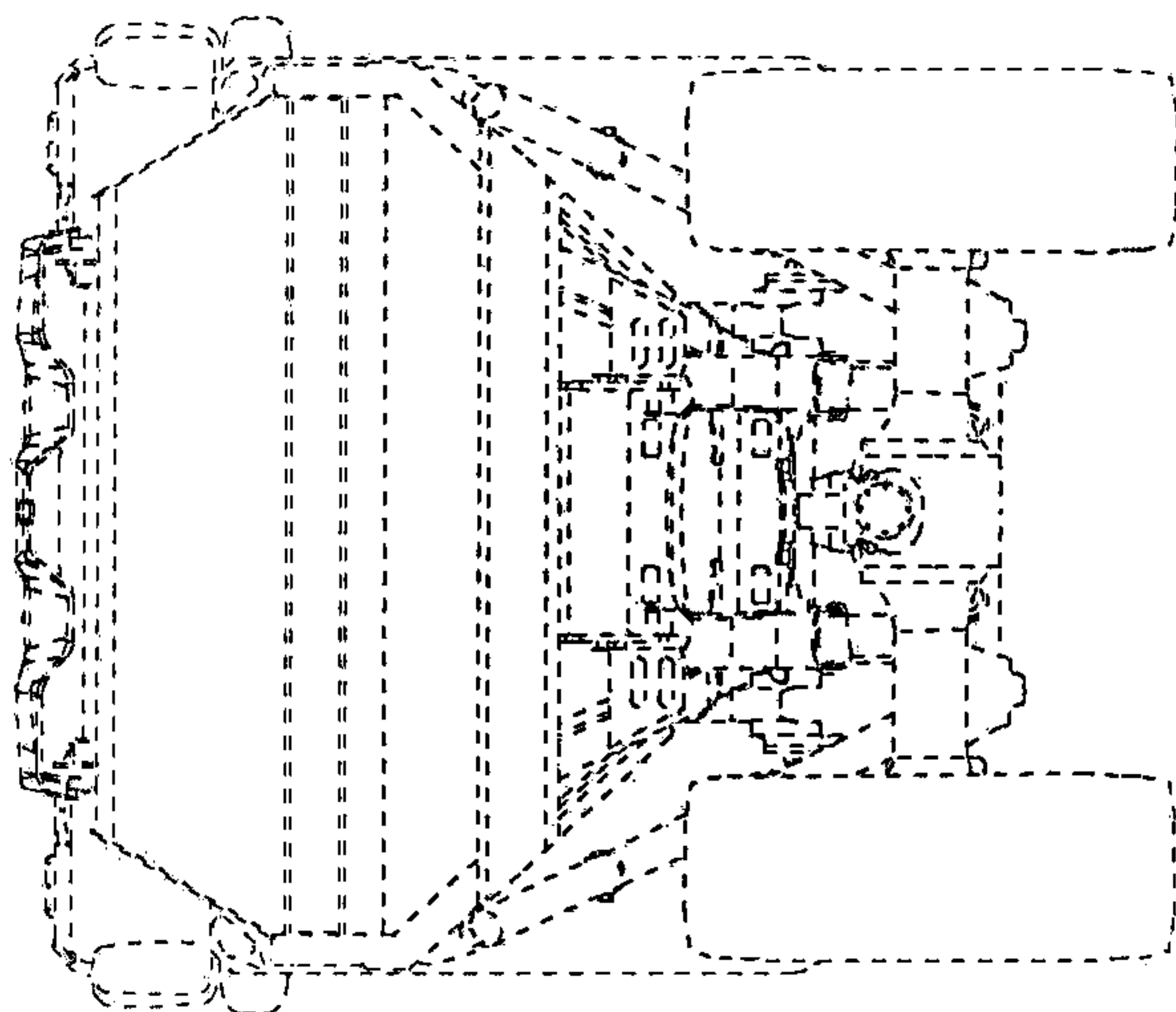


FIG. 5

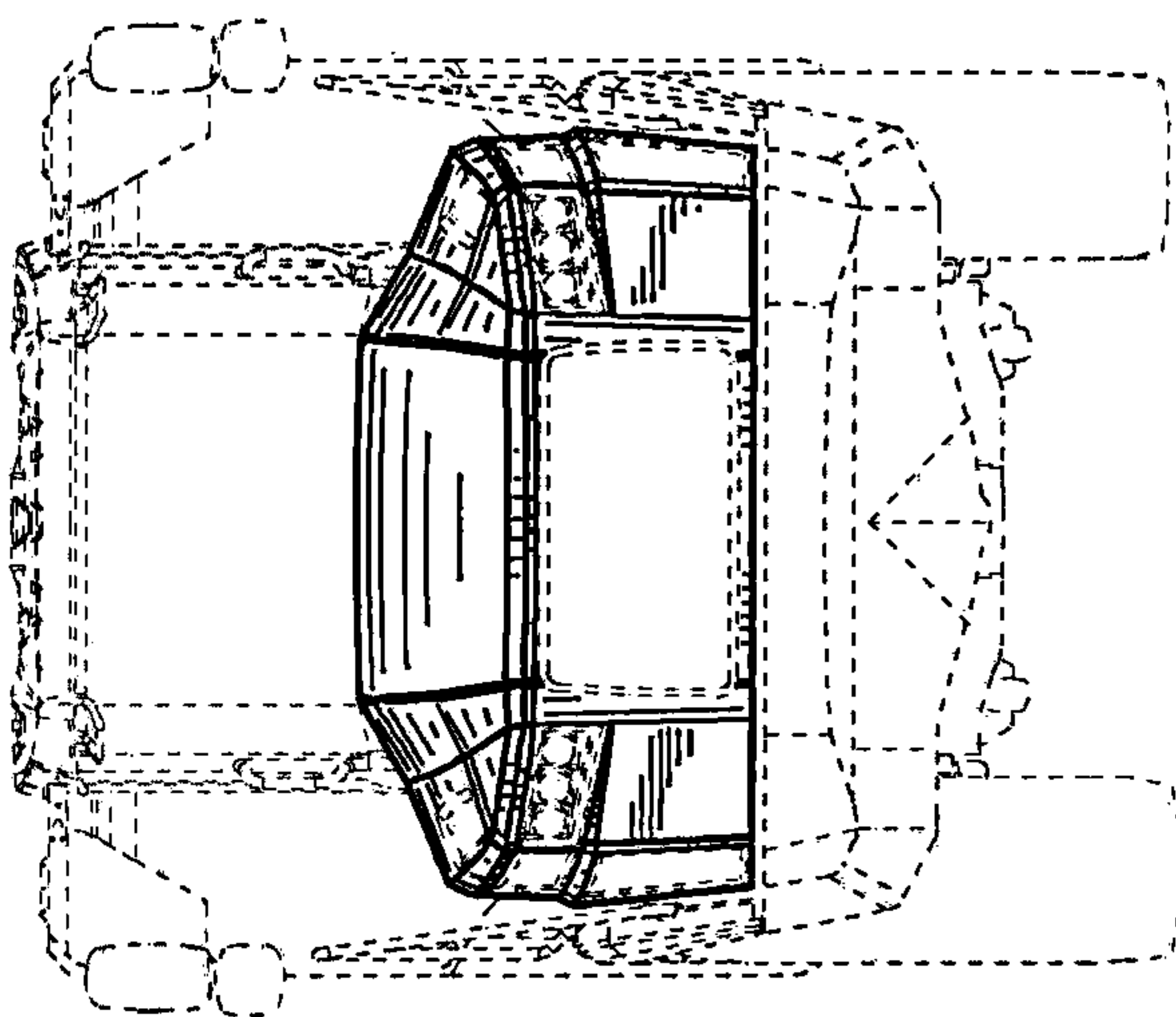


FIG. 4

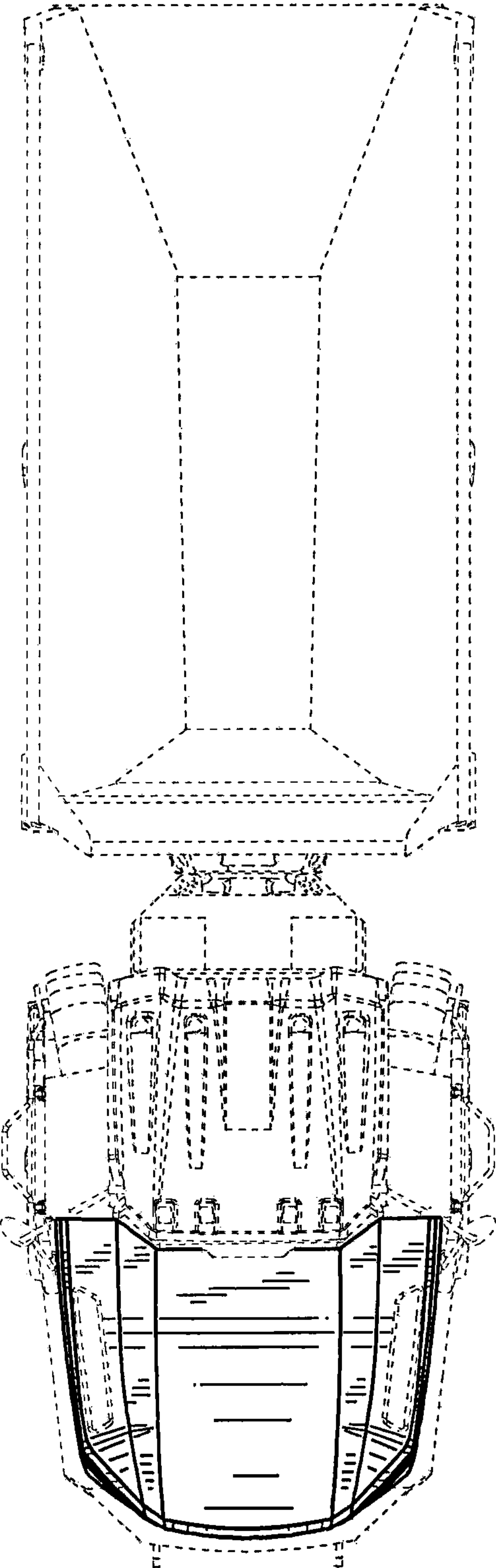


FIG. 6

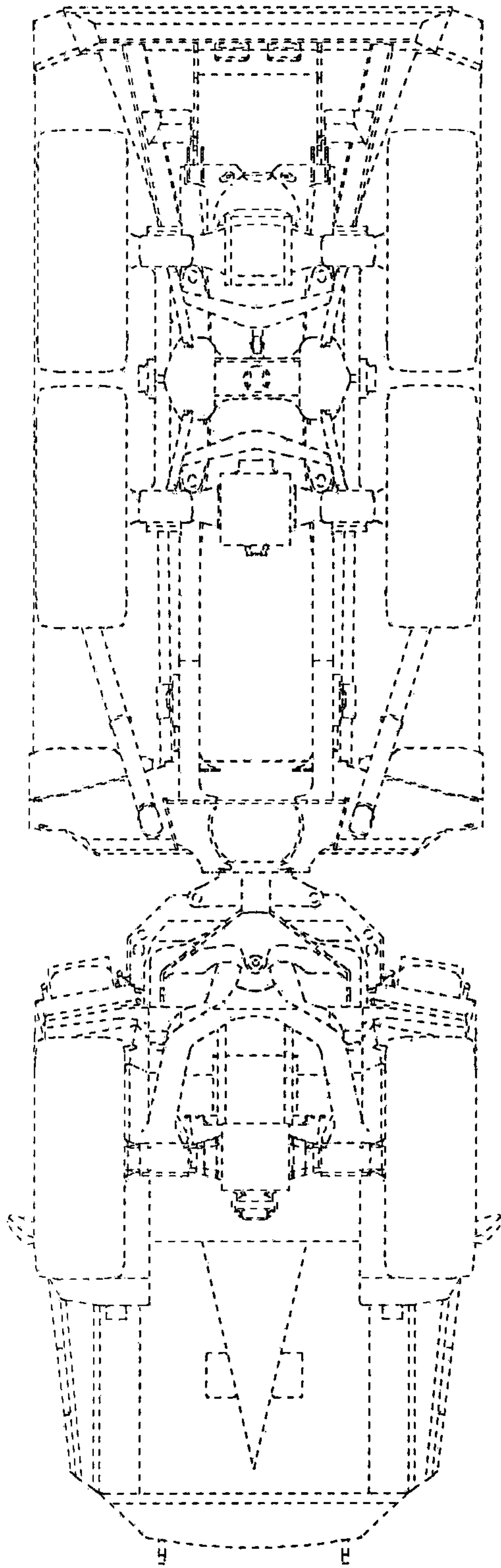


FIG. 7