

US00D721990S

(12) **United States Design Patent**
Lugo

(10) **Patent No.:** **US D721,990 S**
(45) **Date of Patent:** **** Feb. 3, 2015**

- (54) **BALANCE BIKE**
- (71) Applicant: **KaZAM LLC**, Virginia Beach, VA (US)
- (72) Inventor: **John Scott Lugo**, Virginia Beach, VA (US)
- (73) Assignee: **KaZAM LLC**, Virginia Beach, VA (US)
- (**) Term: **14 Years**
- (21) Appl. No.: **29/477,361**
- (22) Filed: **Dec. 20, 2013**
- (51) **LOC (10) Cl.** **12-11**
- (52) **U.S. Cl.**
USPC **D12/111**
- (58) **Field of Classification Search**
USPC 280/284, 281.1, 274, 288, 285, 283,
280/288.3, 282, 279, 220, 221, 288.2, 287,
280/278, 275, 288.4, 124.134, 276, 240,
280/256, 286, 265, 268, 271, 257, 210;
29/434, 428, 897.2; 474/116; D12/111,
D12/108, 124, 169, 113, 112; 156/173, 294;
224/425, 426, 419; 301/124.2;
180/227, 68.5, 220; D21/432, 419,
D21/663, 435, 662, 538; 74/594.3, 527;
16/44; 220/737
See application file for complete search history.

(56) **References Cited**

U.S. PATENT DOCUMENTS

1,508,621	A *	9/1924	Sisk et al.	280/274
D420,942	S *	2/2000	Chen	D12/111
D503,362	S *	3/2005	Zhu et al.	D12/111
D512,664	S *	12/2005	Schreier	D12/111
6,986,522	B2 *	1/2006	Sinclair et al.	280/287
7,216,410	B2 *	5/2007	Chuang	29/428
D567,718	S *	4/2008	Lugo et al.	D12/111
D597,146	S *	7/2009	Verlinden	D21/424
D597,147	S *	7/2009	Verlinden	D21/424

D650,724	S *	12/2011	Chiang	D12/111
D654,403	S *	2/2012	Kyu	D12/111
D659,597	S *	5/2012	Chen	D12/111
D668,586	S *	10/2012	Golias et al.	D12/111
D671,173	S *	11/2012	Tompkin	D21/432
D673,623	S *	1/2013	De Roeck	D21/432
8,414,007	B2 *	4/2013	Chen	280/278
D695,847	S *	12/2013	Liu	D21/432
8,794,654	B1 *	8/2014	Chen	280/287
2005/0263979	A1 *	12/2005	Sinclair et al.	280/278
2006/0232040	A1 *	10/2006	Franco	280/278
2008/0246248	A1 *	10/2008	Rabadi et al.	280/281.1
2009/0289434	A1 *	11/2009	Lin	280/278
2010/0066054	A1 *	3/2010	Chen	280/278
2011/0284302	A1 *	11/2011	Chiu	180/220
2013/0087988	A1 *	4/2013	Wang et al.	280/287
2014/0077474	A1 *	3/2014	Priest et al.	280/278

* cited by examiner

Primary Examiner — Robert M Spear

Assistant Examiner — Ryan Harvey

(74) *Attorney, Agent, or Firm* — Troutman Sanders LLP;
Ryan A. Schneider; Daniel Sharpe

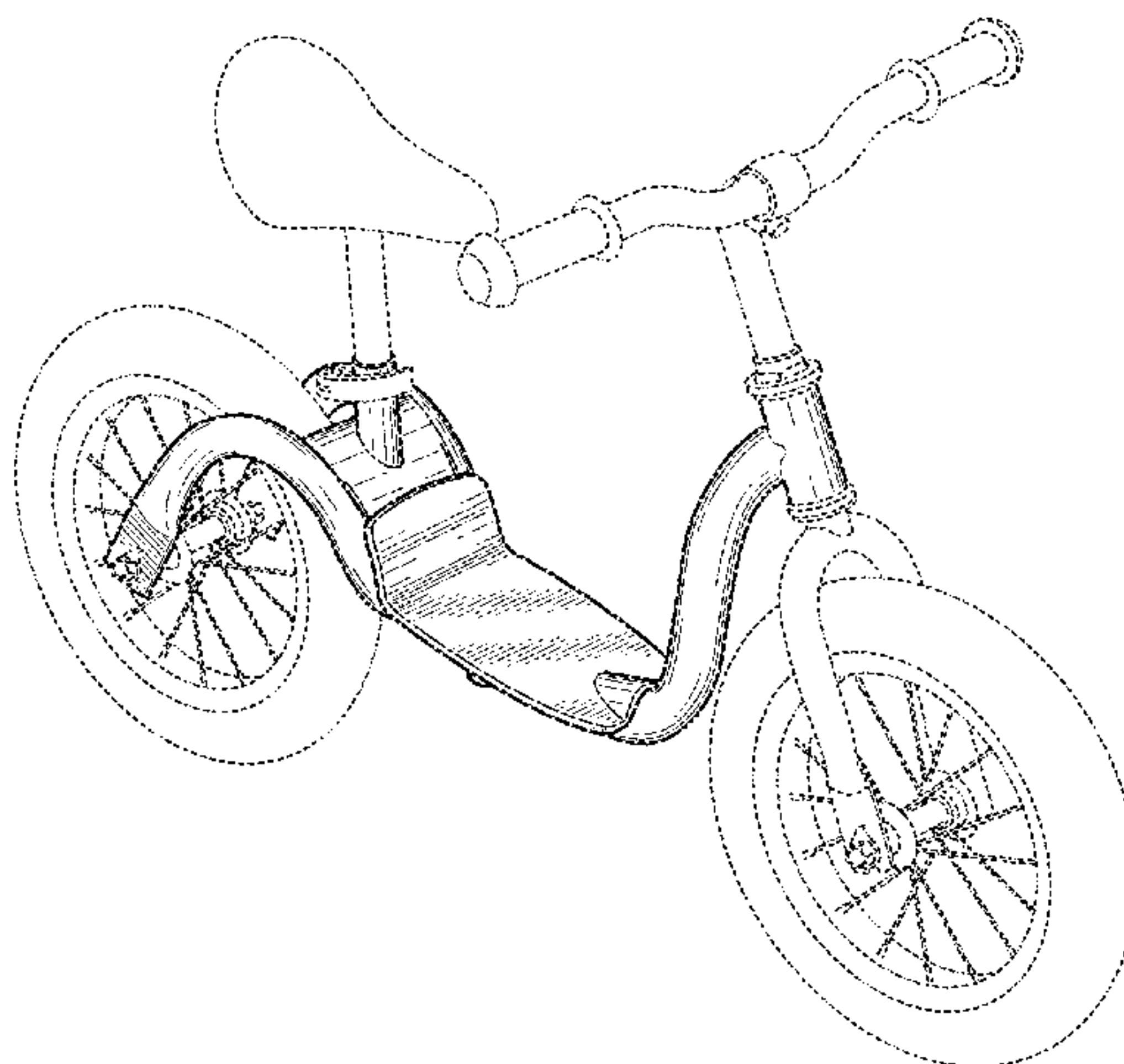
(57) **CLAIM**

The ornamental design for a balance bike, as shown and described.

DESCRIPTION

FIG. 1 is a perspective view of the balance bike;
 FIG. 2 is a front perspective view the balance bike of FIG. 1;
 FIG. 3 is a side view of the balance bike of FIG. 1, the other side being a mirror image thereof;
 FIG. 4 is a front view of the balance bike of FIG. 1;
 FIG. 5 is a back view of the balance bike of FIG. 1;
 FIG. 6 is a top view of the balance bike of FIG. 1; and,
 FIG. 7 is a bottom view of the balance bike of FIG. 1.
 The portions of the balance bike shown in broken lines in the drawings represent unclaimed environmental structure. The broken lines form no part of the claimed design.

1 Claim, 6 Drawing Sheets



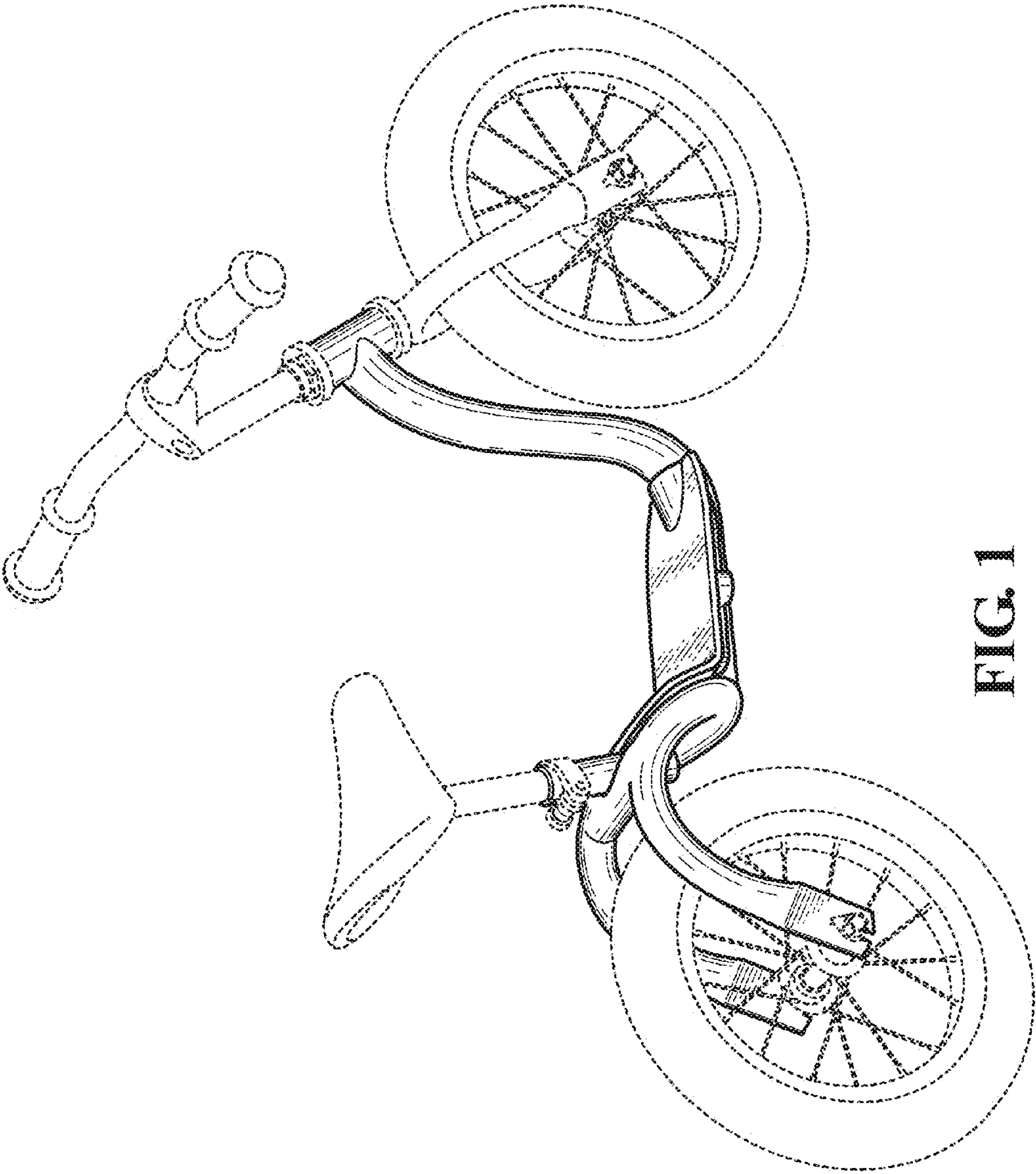


FIG. 1

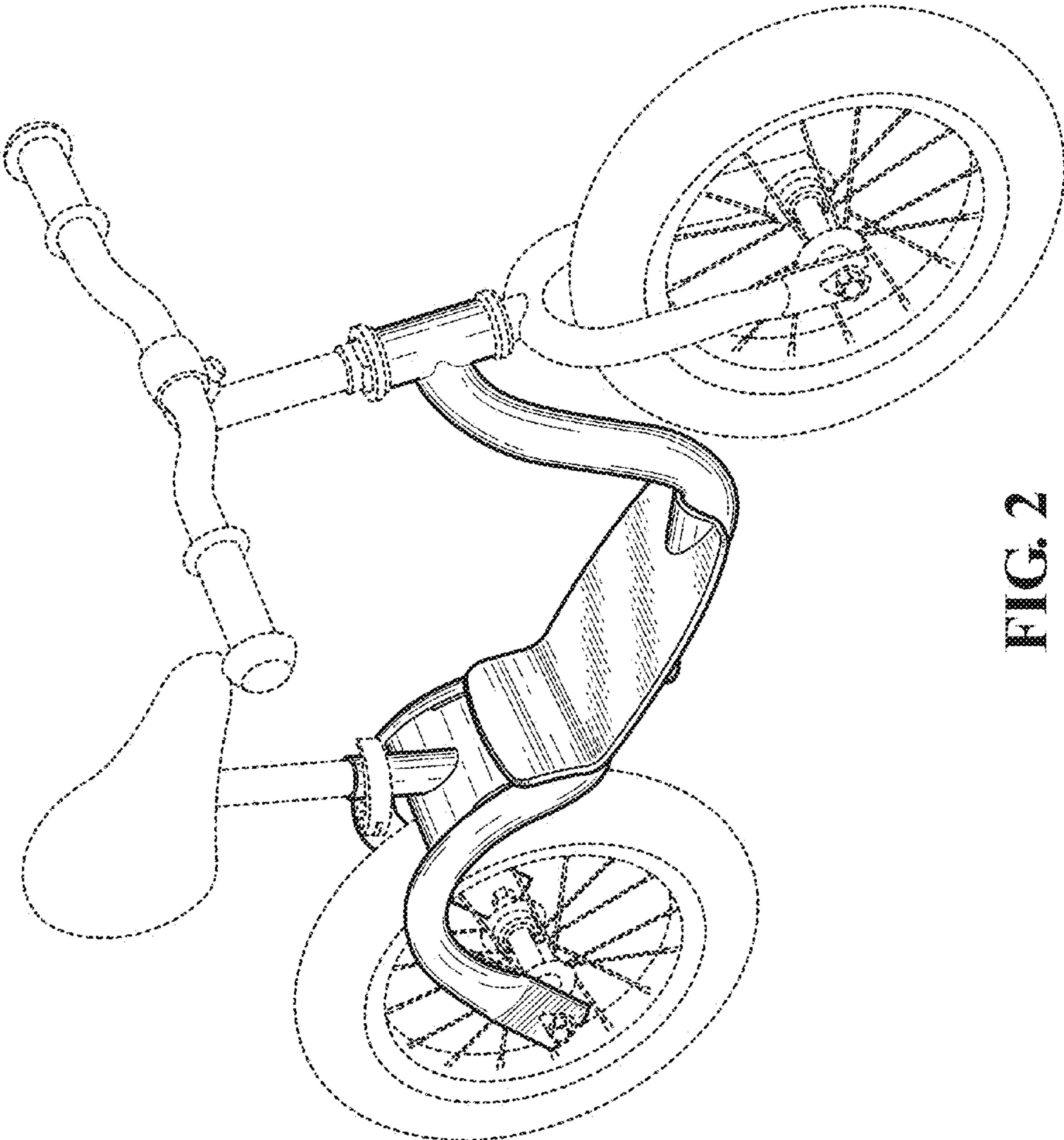


FIG. 2

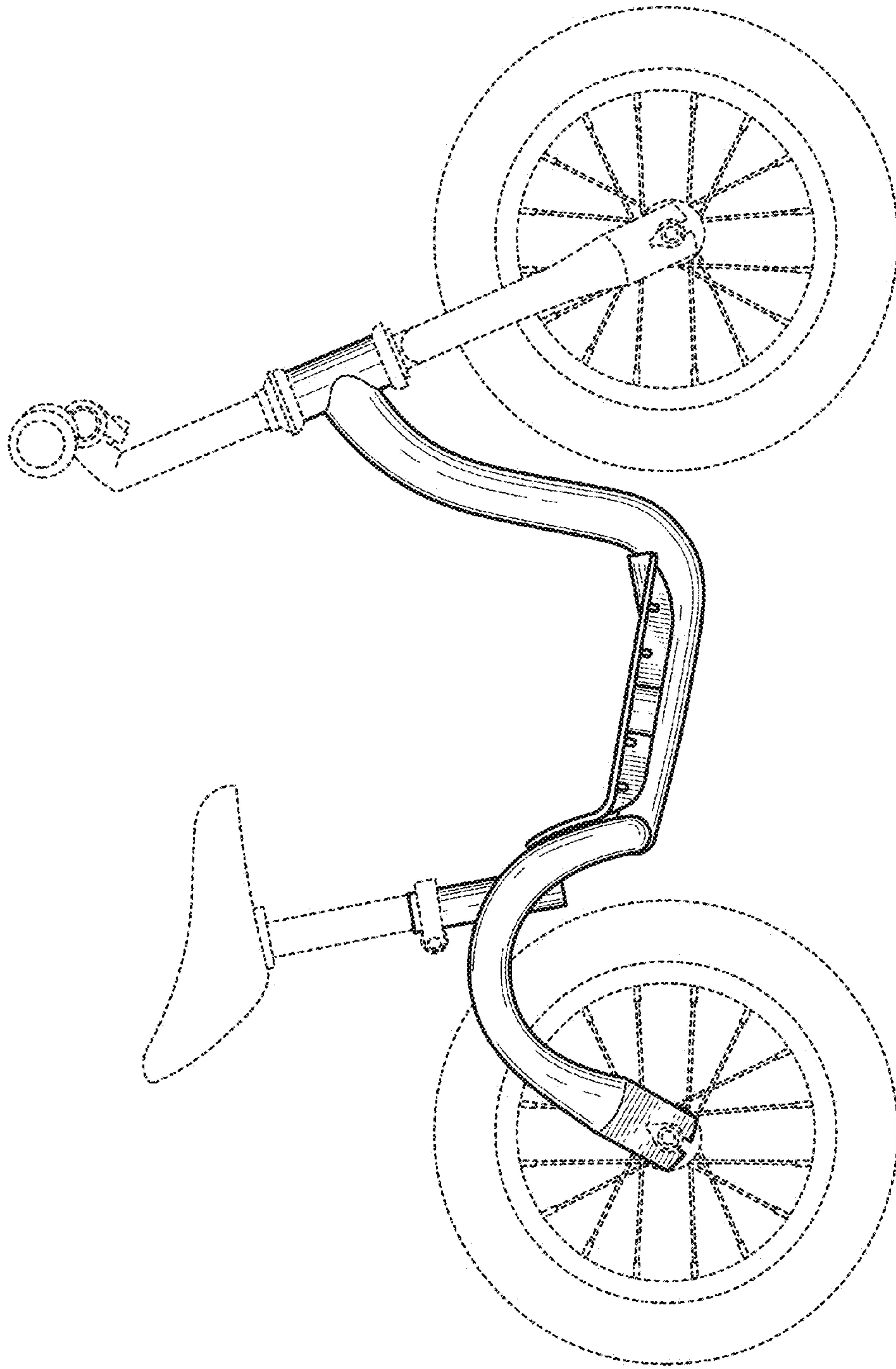


FIG. 3

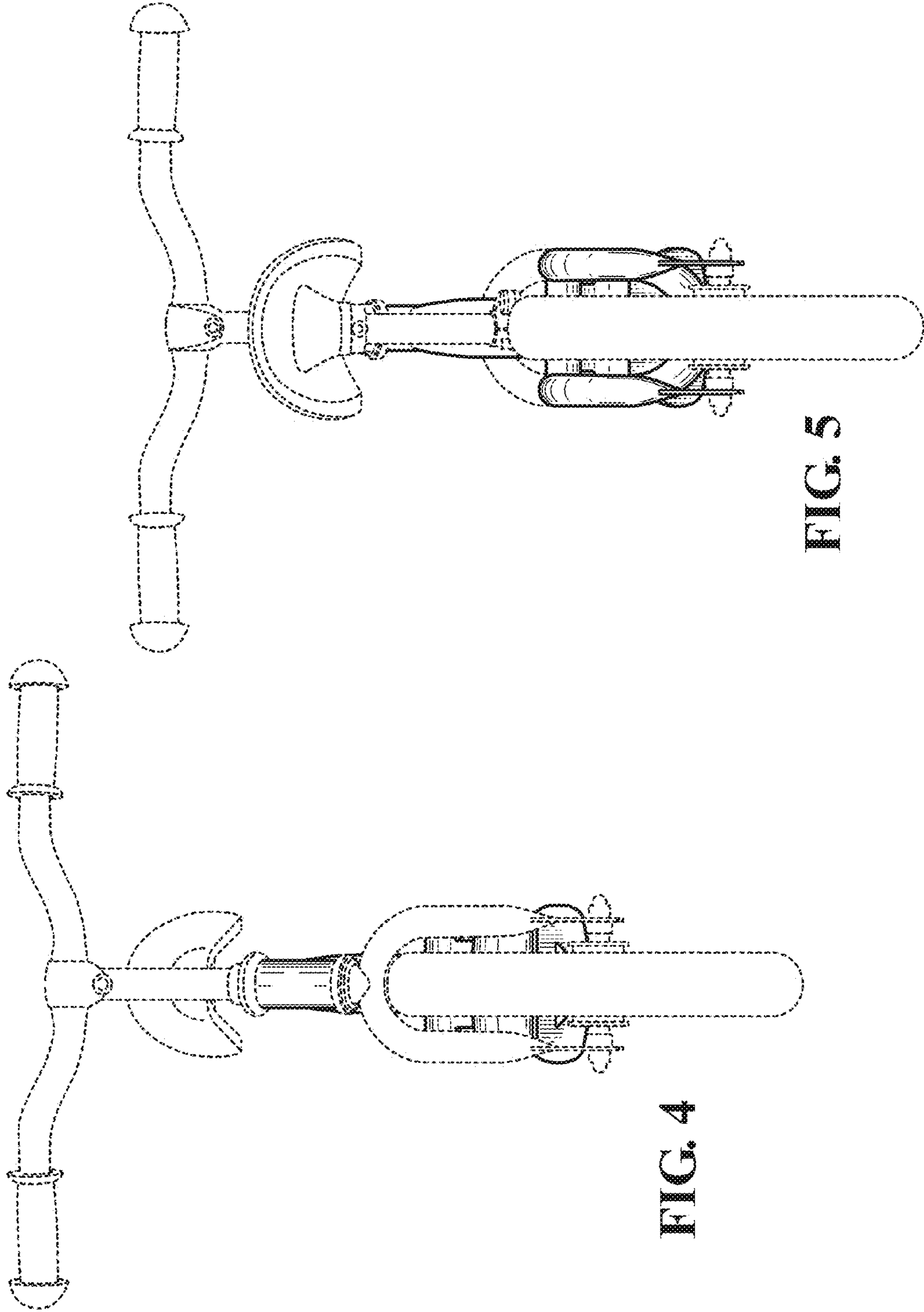


FIG. 4

FIG. 5

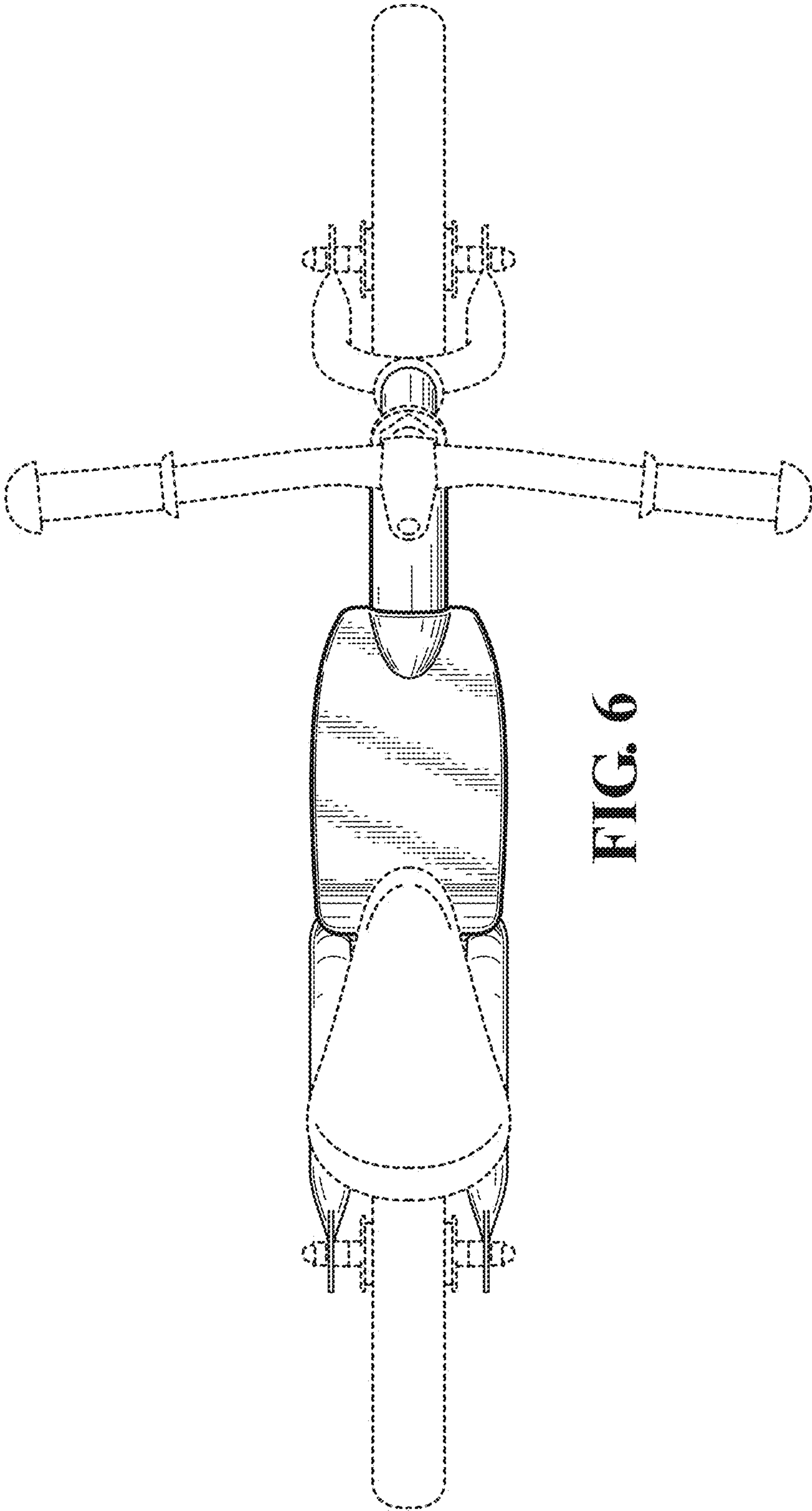


FIG. 6

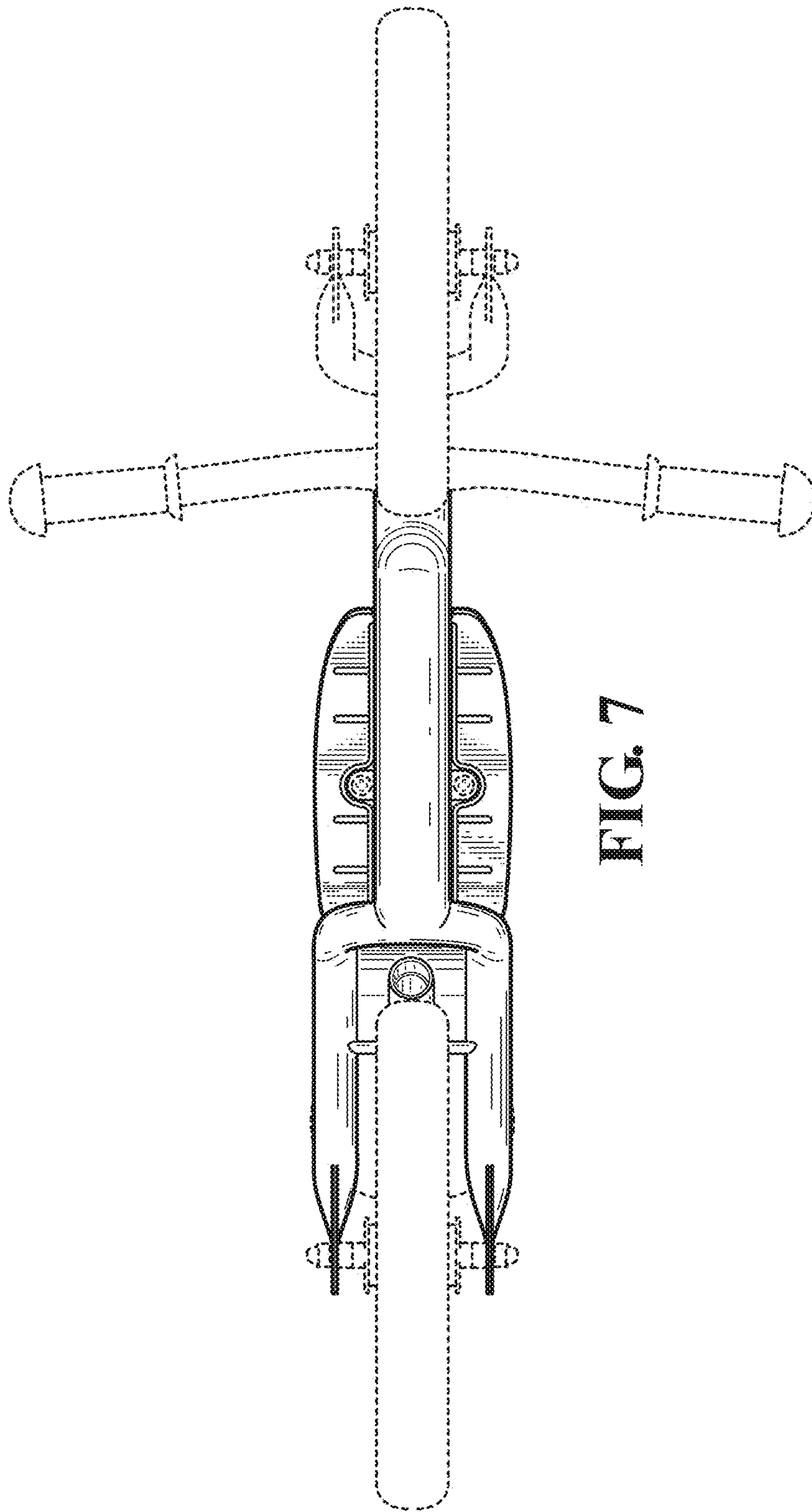


FIG. 7