



US00D721988S

(12) **United States Design Patent**
Graber et al.

(10) **Patent No.:** **US D721,988 S**
(45) **Date of Patent:** **** Feb. 3, 2015**

(54) **WORK VEHICLE BODY**

(71) Applicant: **Deere & Company**, Moline, IL (US)

(72) Inventors: **Travis Graber**, Farley, IA (US); **Chris L. Pigott**, Durango, IA (US); **Thomas H. Ward**, Ventura, CA (US); **Jose Alberto Casas Pena**, Thousand Oaks, CA (US); **Fernando Pardo**, Newbury Park, CA (US); **Michael Trump**, Santa Monica, CA (US)

(73) Assignee: **Deere & Company**, Moline, IL (US)

(**) Term: **14 Years**

(21) Appl. No.: **29/498,800**

(22) Filed: **Aug. 7, 2014**

(51) **LOC (10) Cl.** **08-10**

(52) **U.S. Cl.**
USPC **D12/15; D15/33**

(58) **Field of Classification Search**
USPC D15/10, 22-26, 30, 33, 28; D12/15, 1, D12/5, 22, 93, 98, 196, 14; 414/245, 685, 414/688, 722, 724, 493; 108/234, 641; 37/403, 413, 442, 443, 412
See application file for complete search history.

(56) **References Cited**

U.S. PATENT DOCUMENTS

D204,604	S	*	5/1966	Fryer	D12/15
D235,528	S	*	6/1975	Ahola et al.	D12/15
3,923,337	A	*	12/1975	Kershaw et al.	296/183.2
3,938,238	A	*	2/1976	Kershaw et al.	29/469
D289,748	S	*	5/1987	Proeschl	D12/15
D386,128	S	*	11/1997	Gerding et al.	D12/93
D447,754	S	*	9/2001	Smith et al.	D15/31
D448,037	S	*	9/2001	Westimayer et al.	D15/31
D450,627	S	*	11/2001	Musso et al.	D12/15
D458,943	S	*	6/2002	Briggs et al.	D15/30
D459,681	S	*	7/2002	Turcotte	D12/15
D465,499	S	*	11/2002	Briggs et al.	D15/30

D471,920	S	*	3/2003	Chaseling	D15/10
7,207,621	B2	*	4/2007	D'Amico et al.	296/183.1
7,257,467	B2	*	8/2007	Hagenbuch	701/1
D560,553	S	*	1/2008	Vance et al.	D12/15
D578,434	S	*	10/2008	Vance et al.	D12/15
7,810,887	B2	*	10/2010	Hjerth et al.	298/17 S
D660,874	S	*	5/2012	Werner et al.	D15/10
D676,786	S	*	2/2013	Werner et al.	D12/15
D678,123	S	*	3/2013	Werner et al.	D12/15
D696,697	S	*	12/2013	Cooksey	D15/10
D705,163	S	*	5/2014	Lauper et al.	
D707,727	S	*	6/2014	Miller et al.	D15/28
2003/0088340	A1	*	5/2003	Hagenbuch	701/1
2004/0036245	A1	*	2/2004	Mollhagen	280/124.128
2009/0152934	A1	*	6/2009	Devries et al.	298/1 H

* cited by examiner

Primary Examiner — Mark Goodwin

(74) *Attorney, Agent, or Firm* — Quarles & Brady LLP

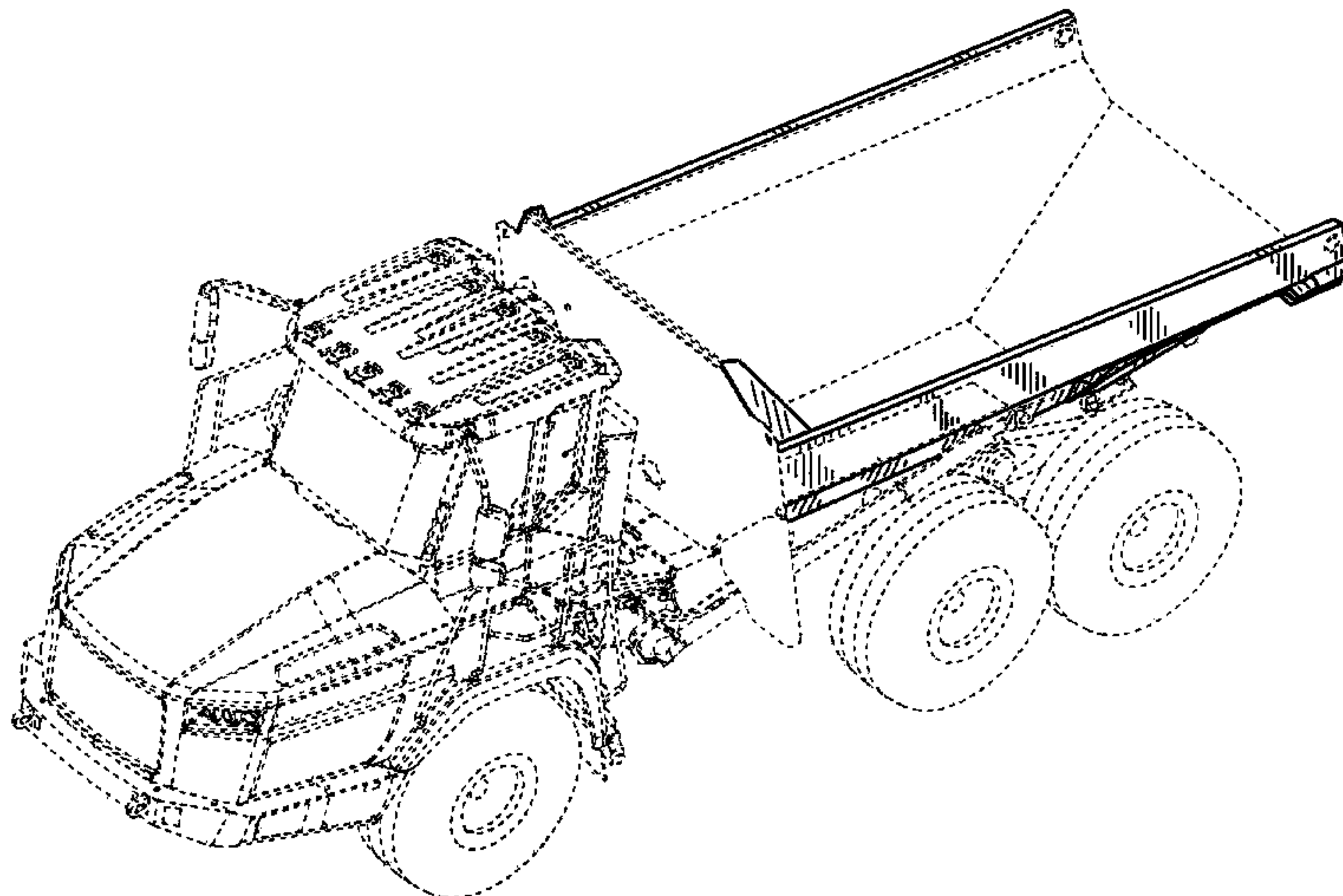
(57) **CLAIM**

The ornamental design for a work vehicle body, as shown and described.

DESCRIPTION

FIG. 1 is a top, front, left perspective view of a work vehicle body showing our new design with example work vehicle environment;
FIG. 2 is a left side elevational view thereof;
FIG. 3 is a right side elevational view thereof;
FIG. 4 is a front end view thereof;
FIG. 5 is a rear end view thereof;
FIG. 6 is a top plan view thereof; and,
FIG. 7 is a bottom plan view thereof.
The broken line representations in the figures, including the broken line work vehicle environment, show unclaimed environment or boundaries, and thus form no part of the claimed design.
The nature of this product is an exterior body for a vehicle, such as a work vehicle used in the construction industry, for example the dump body of a dump truck.

1 Claim, 6 Drawing Sheets



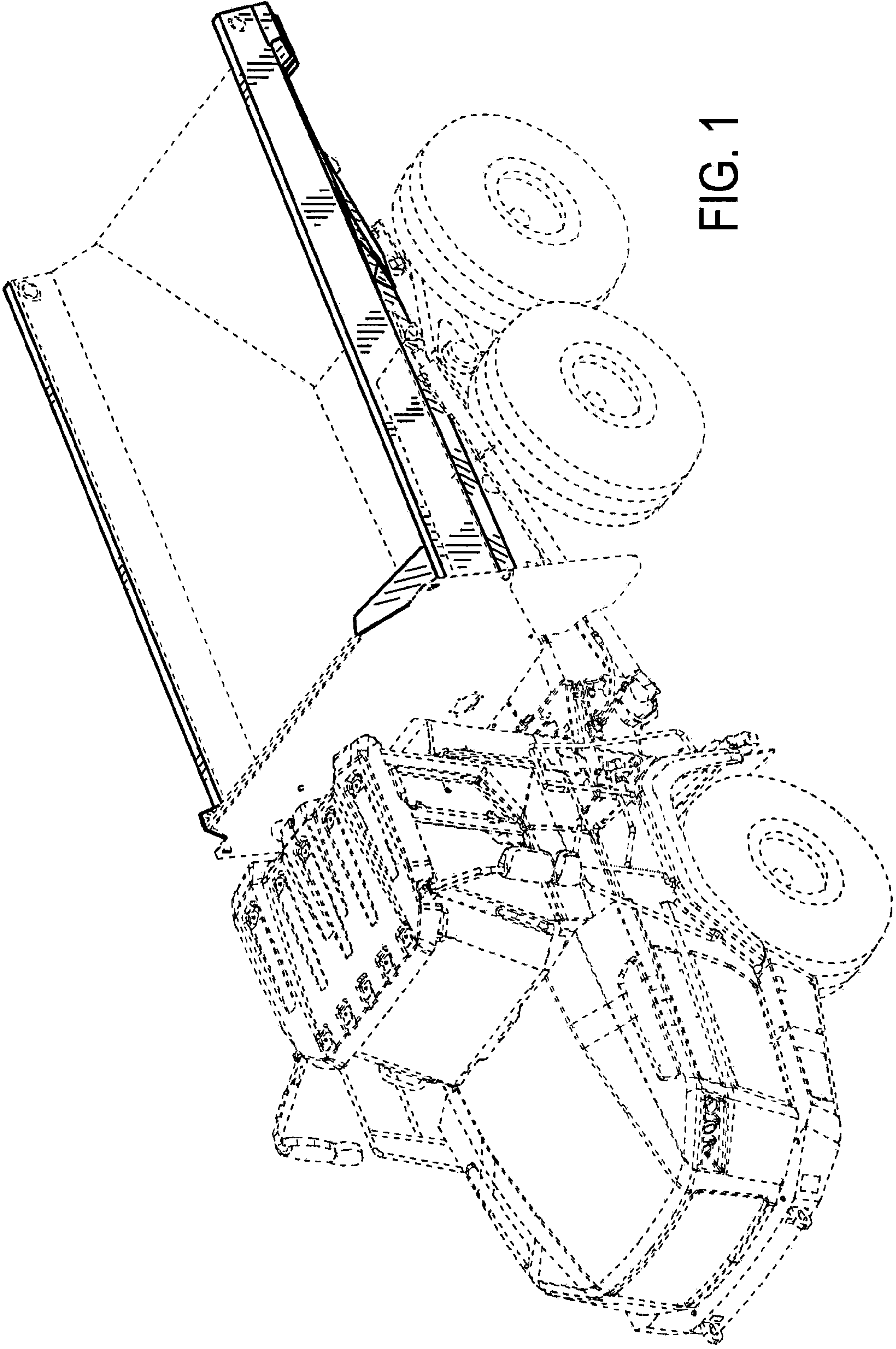


FIG. 1

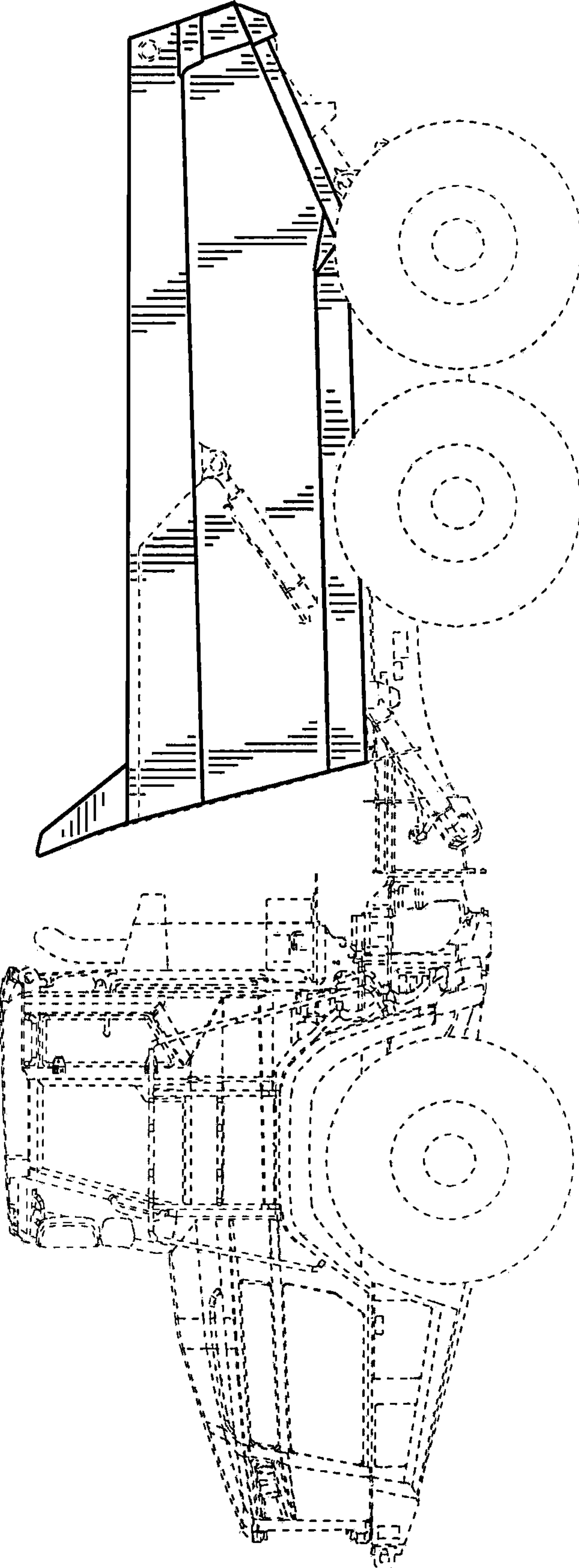


FIG. 2

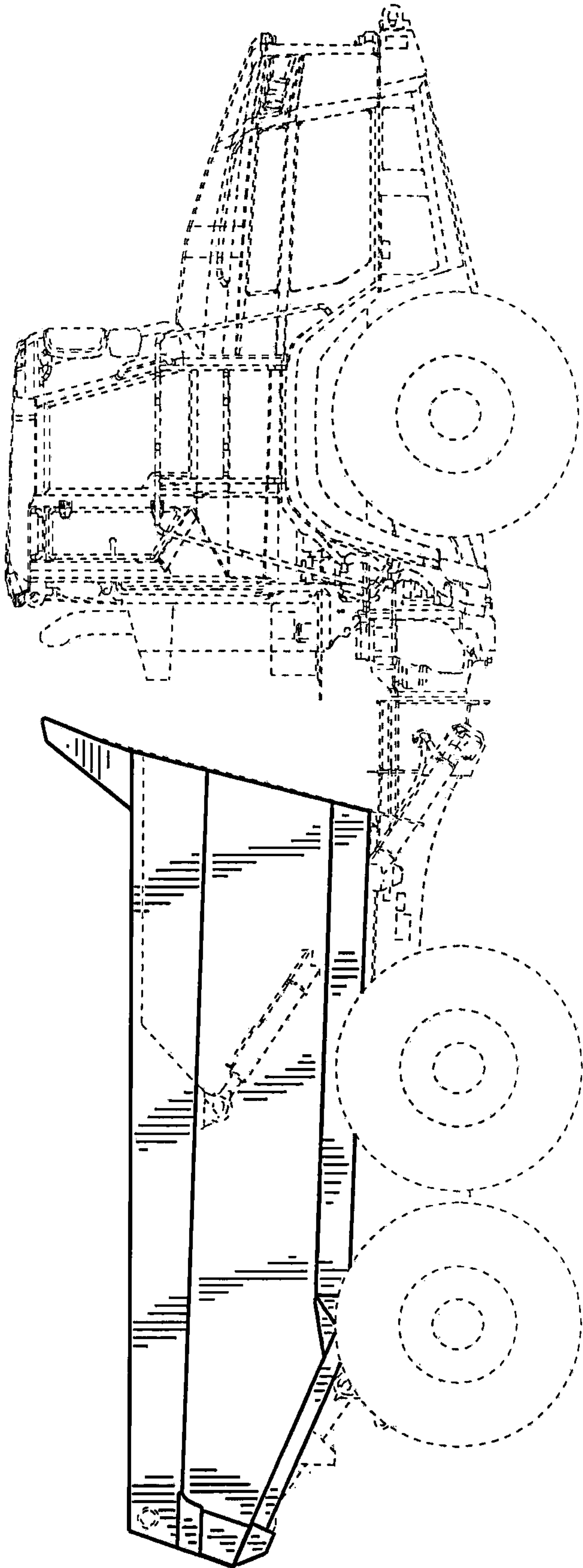


FIG. 3

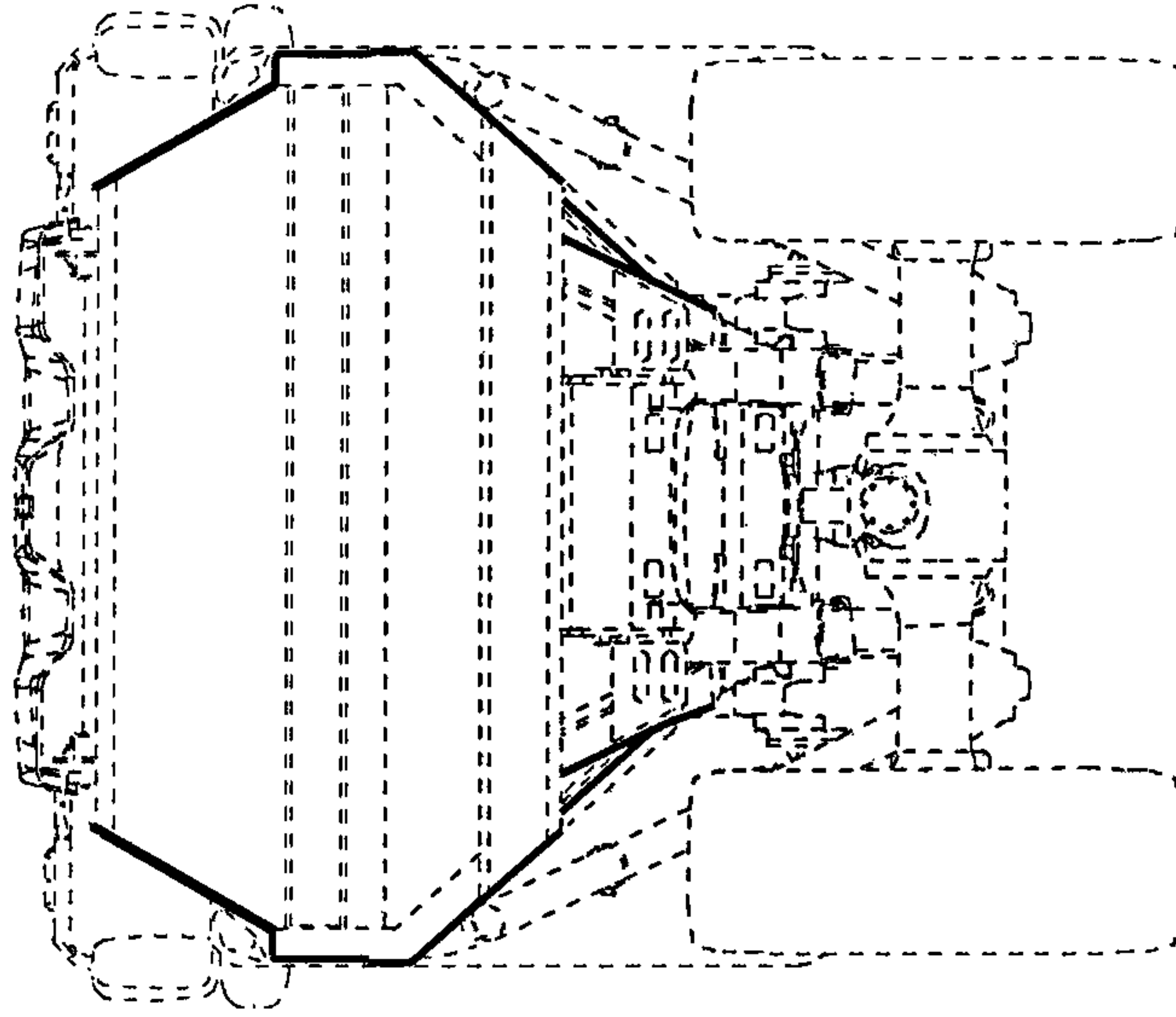


FIG. 4

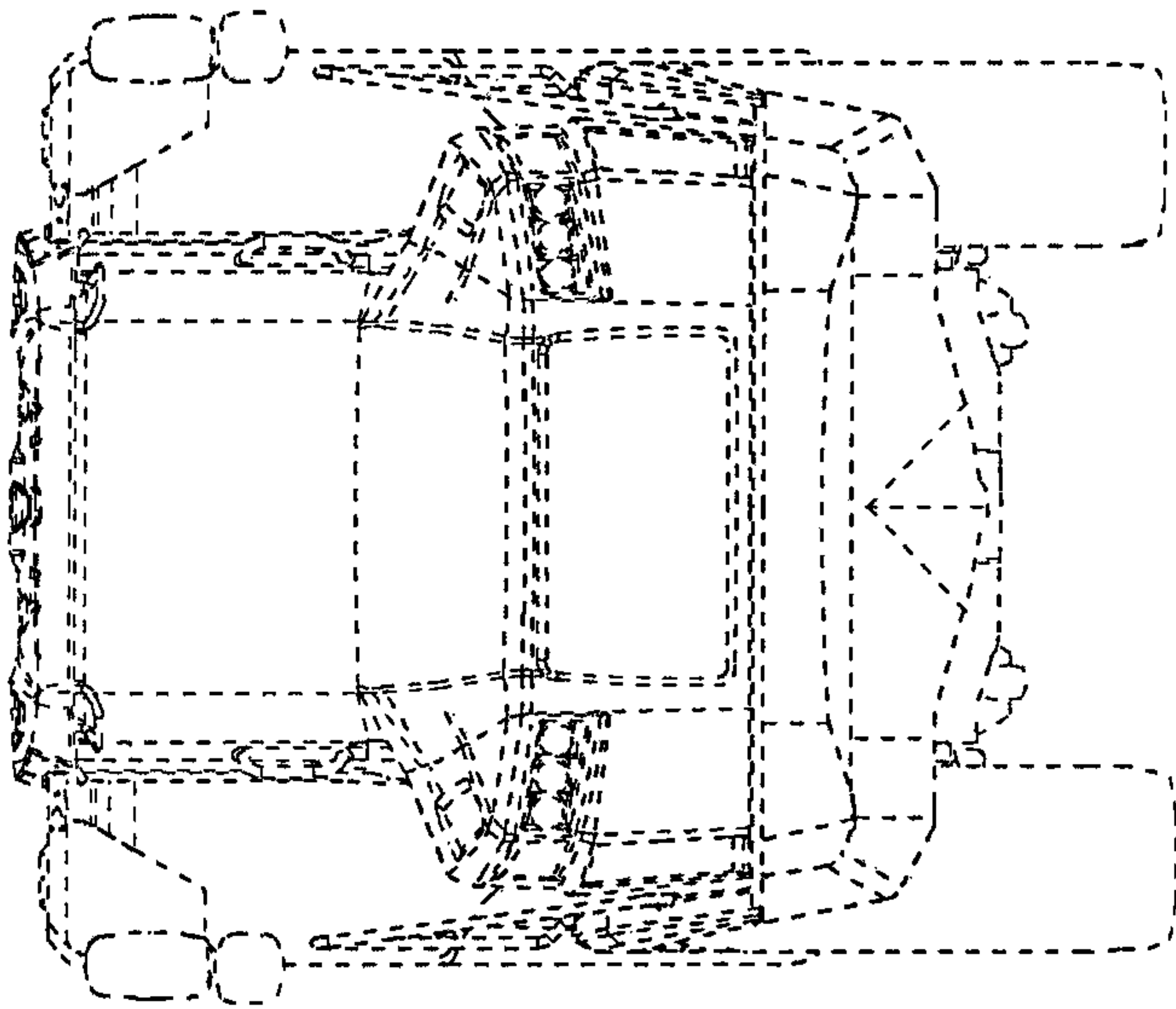


FIG. 5

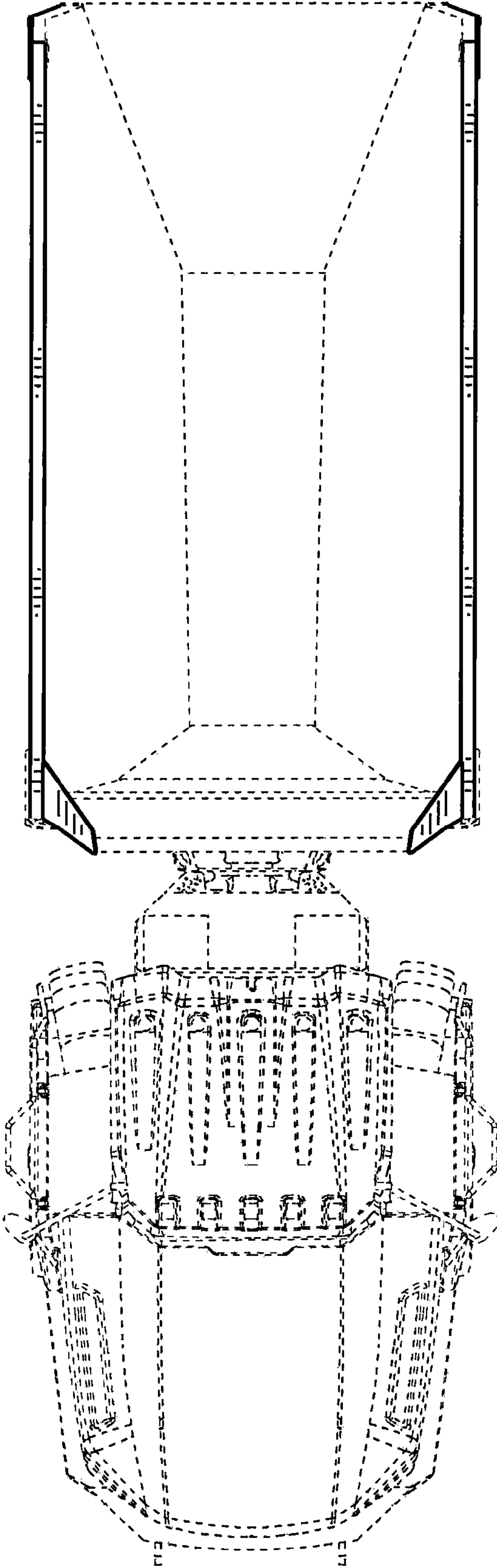


FIG. 6

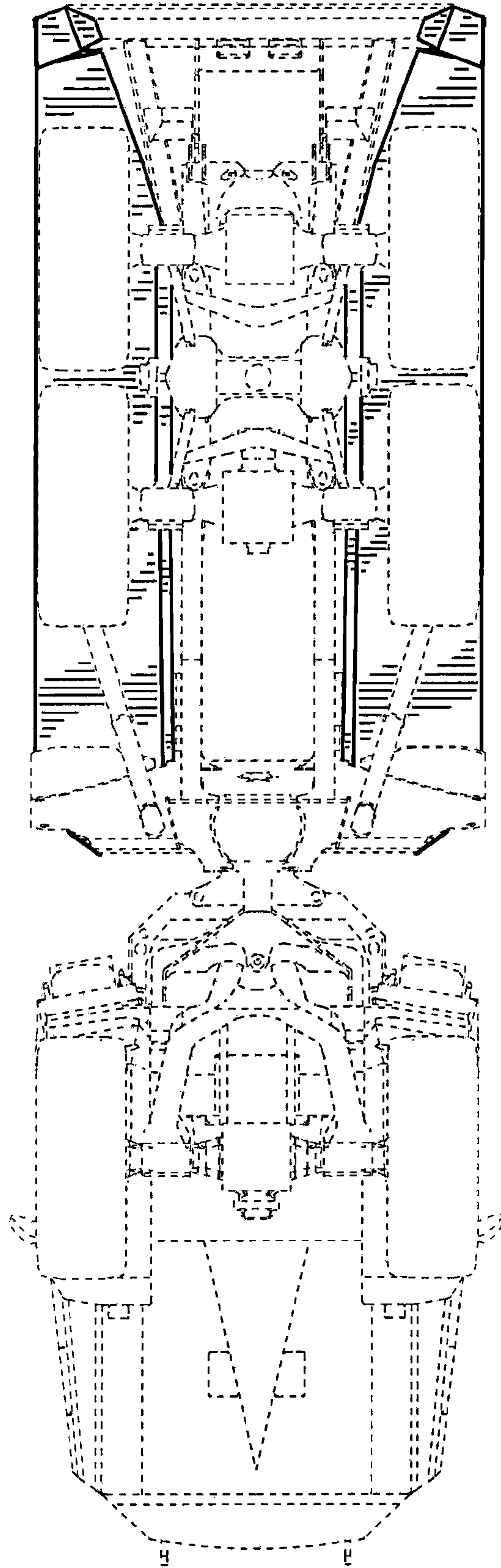


FIG. 7