



US00D721979S

(12) **United States Design Patent**
Ranwell et al.

(10) **Patent No.:** **US D721,979 S**

(45) **Date of Patent:** **** Feb. 3, 2015**

(54) **PROTIMETER**

(56) **References Cited**

(71) Applicant: **Amphenol Corporation**, Wallingford, CT (US)

U.S. PATENT DOCUMENTS

(72) Inventors: **Christopher James Elliott Ranwell**, Andover, MA (US); **Wajeeth Mohammed**, Tamilnadu (IN); **Manjunath Veerabhadran Chande**, Bangalore (IN); **Nataraja Aswathanarayana Nagaranavile**, Karnataka (IN); **Ratheesh Cheran**, Kerala (IN)

D300,727 S *	4/1989	Fukushima	D10/52
D316,820 S *	5/1991	Wada	D10/24
7,802,472 B1 *	9/2010	Richer et al.	73/431
8,746,632 B2 *	6/2014	Walraven et al.	248/62

* cited by examiner

Primary Examiner — Antoine D Davis

(74) *Attorney, Agent, or Firm* — Blank Rome LLP

(73) Assignee: **Amphenol Thermometrics, Inc.**, St. Marys, PA (US)

(57) **CLAIM**

The ornamental design for a protimeter, as shown and described.

(**) Term: **14 Years**

DESCRIPTION

(21) Appl. No.: **29/464,779**

FIG. 1 is a perspective view of a protimeter, showing the new design.

(22) Filed: **Aug. 21, 2013**

FIG. 2 is a front-side view thereof.

(51) **LOC (10) Cl.** **10-04**

FIG. 3 is a rear-side view thereof.

(52) **U.S. Cl.**

FIG. 4 is a left-side view thereof.

USPC **D10/56**

FIG. 5 is a right-side view thereof.

(58) **Field of Classification Search**

CPC G01N 27/048; G01N 27/223

FIG. 6 is a top-side view thereof; and,

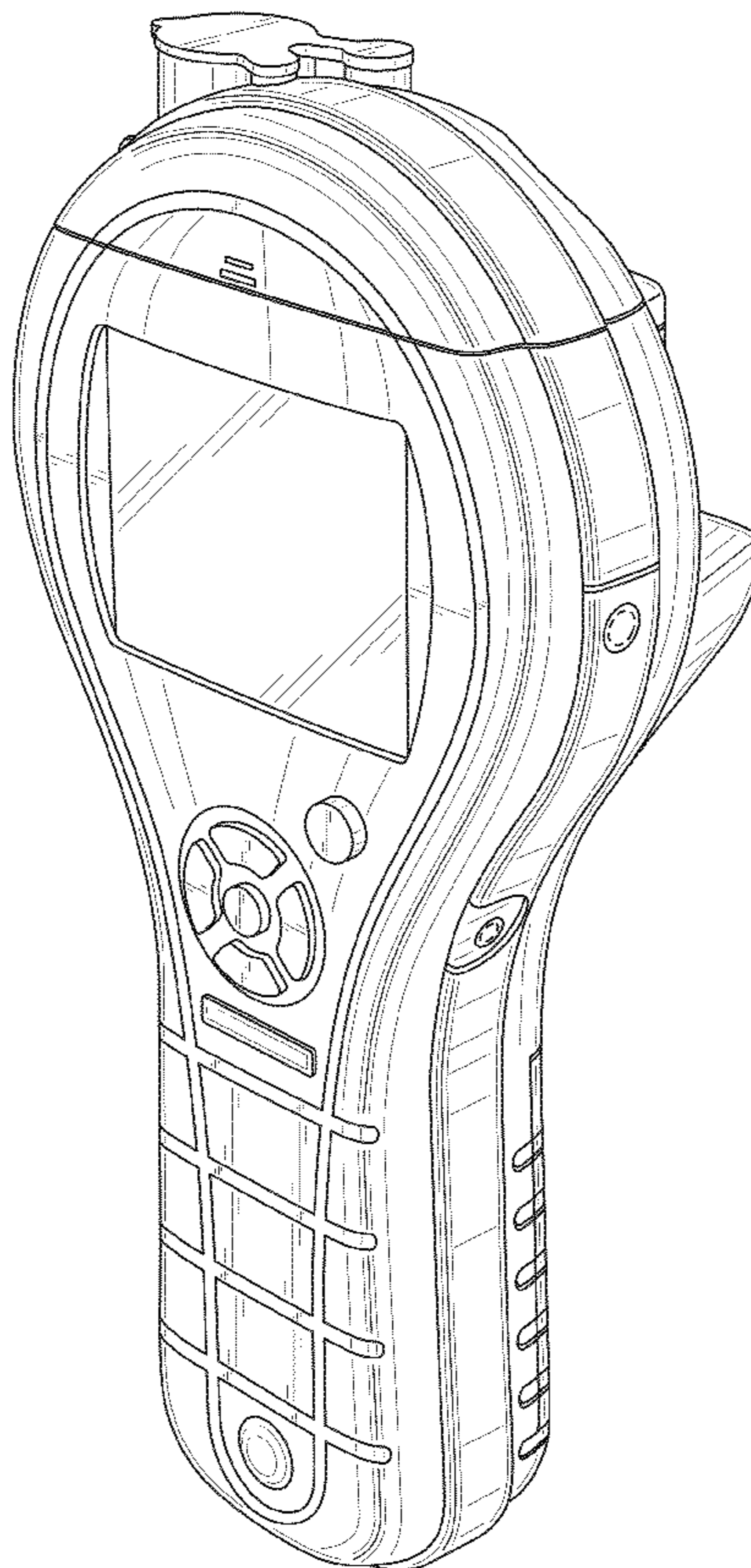
USPC D10/56; 324/156, 694, 696, 689; 73/73,

FIG. 7 is a bottom-side view thereof.

73/74, 431

See application file for complete search history.

1 Claim, 6 Drawing Sheets



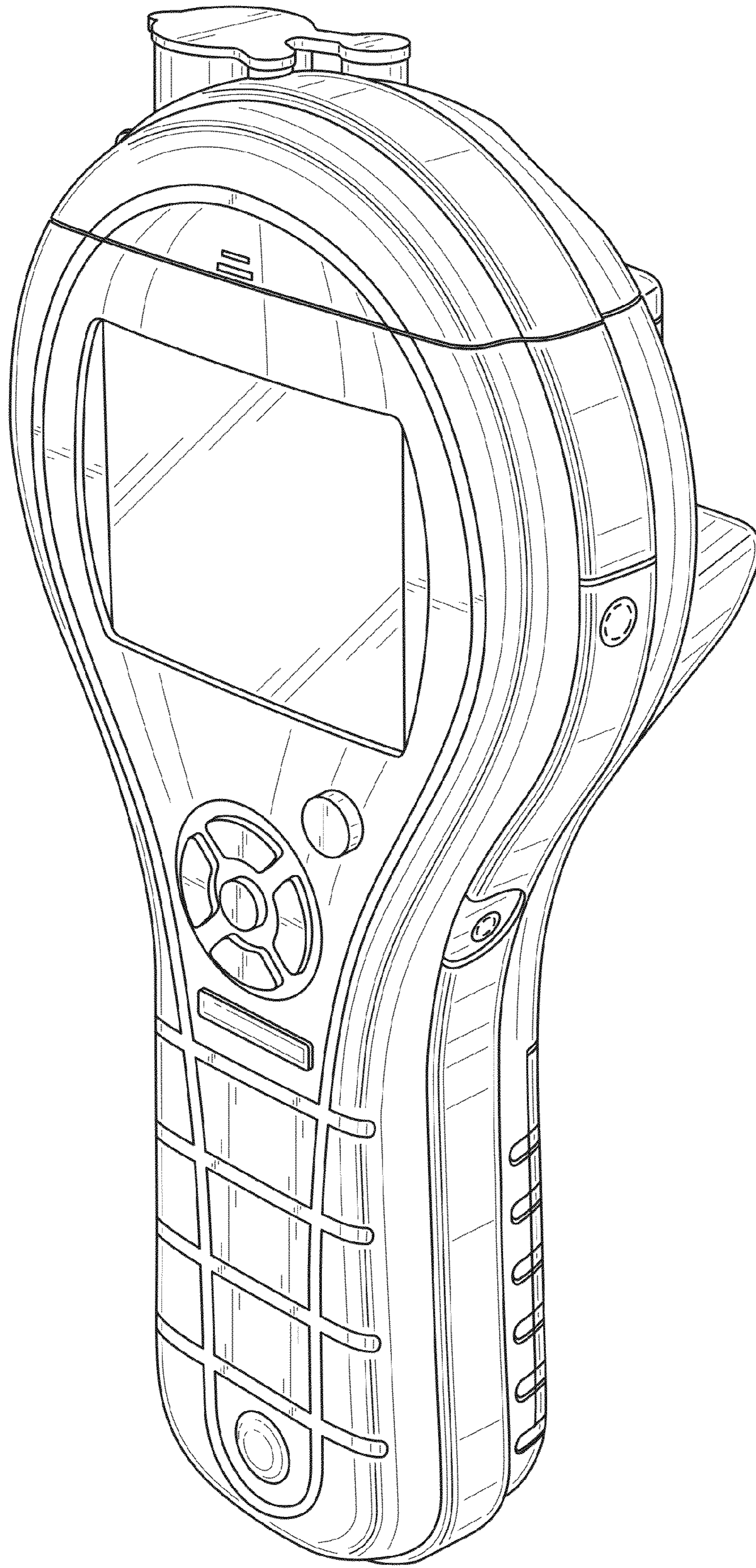


FIG. 1

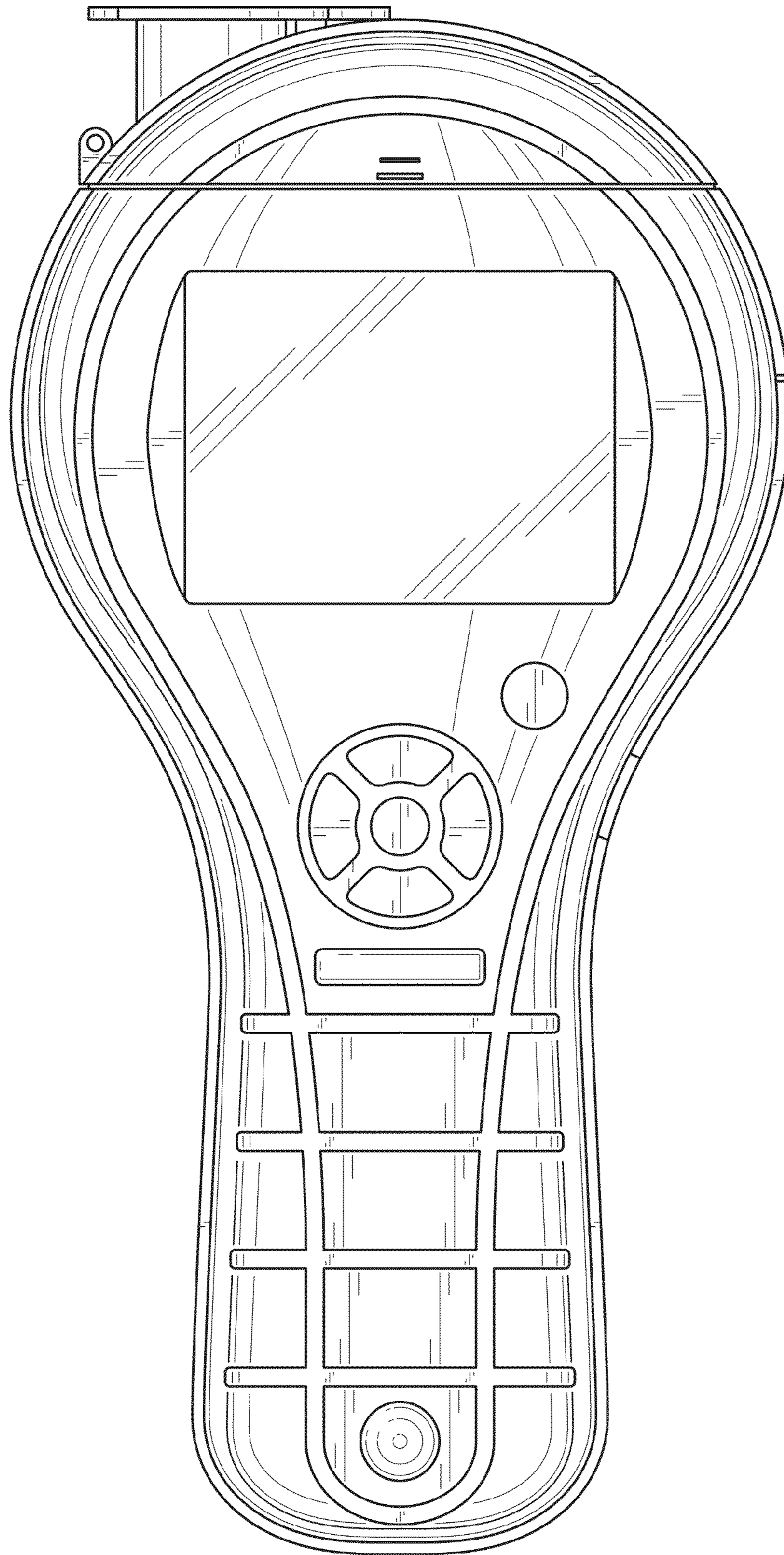


FIG. 2

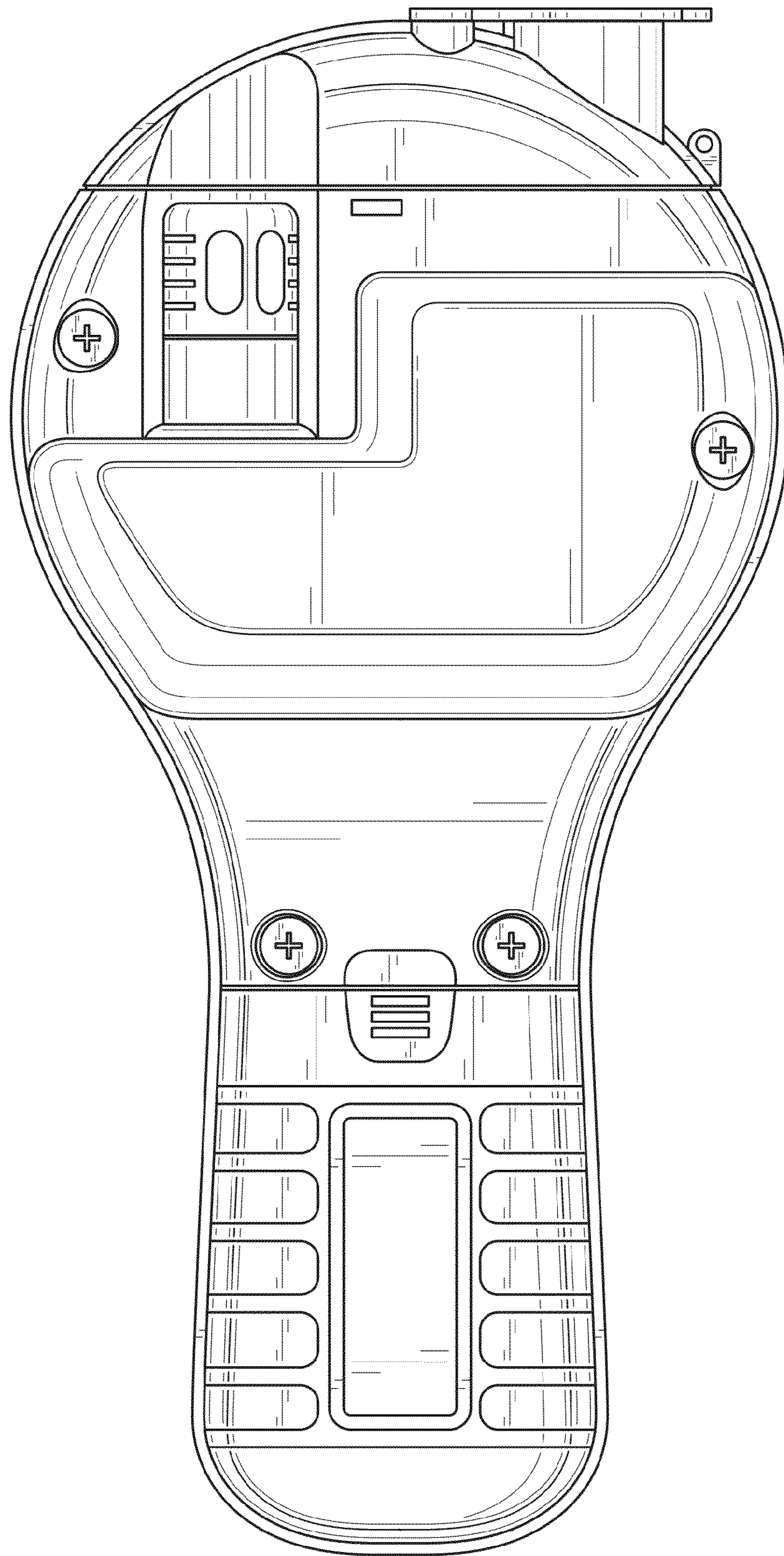


FIG. 3

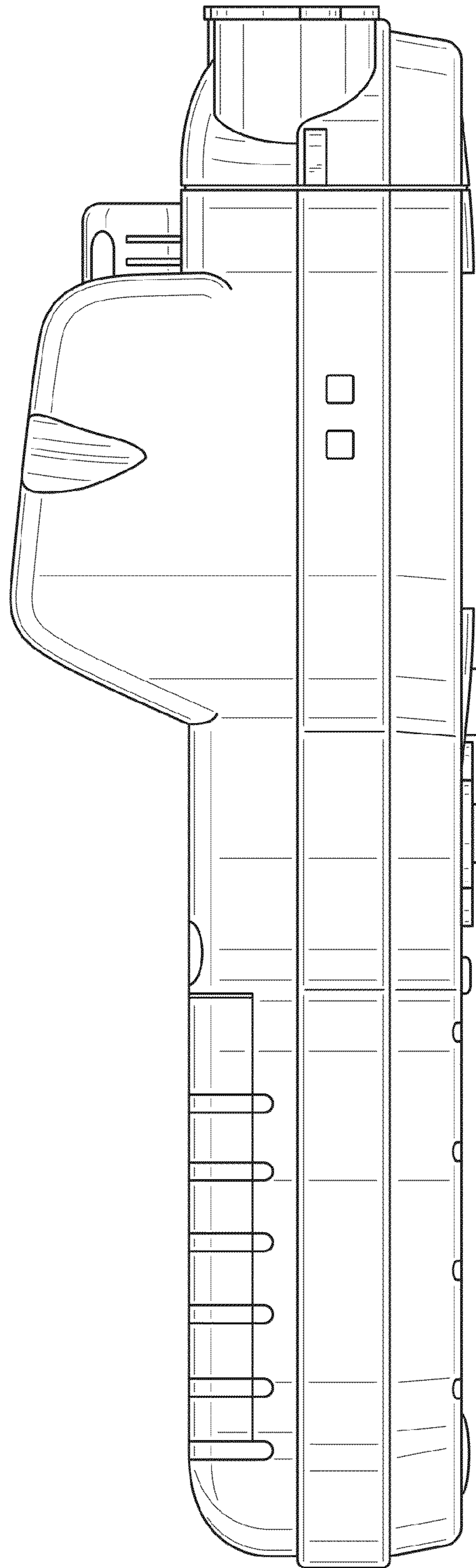


FIG. 4

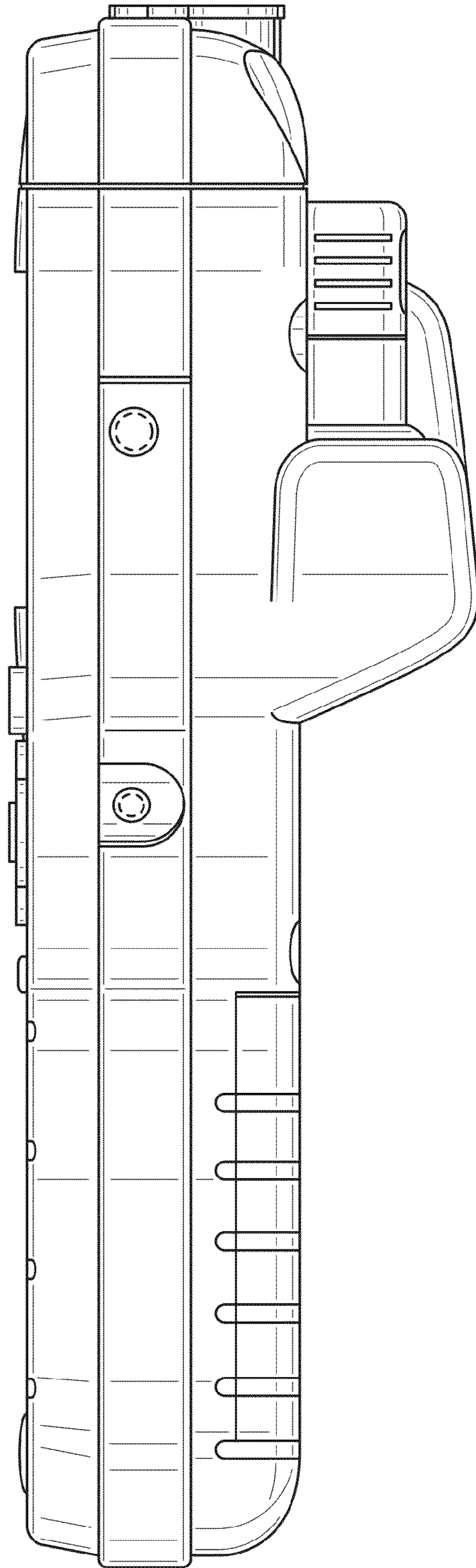


FIG. 5

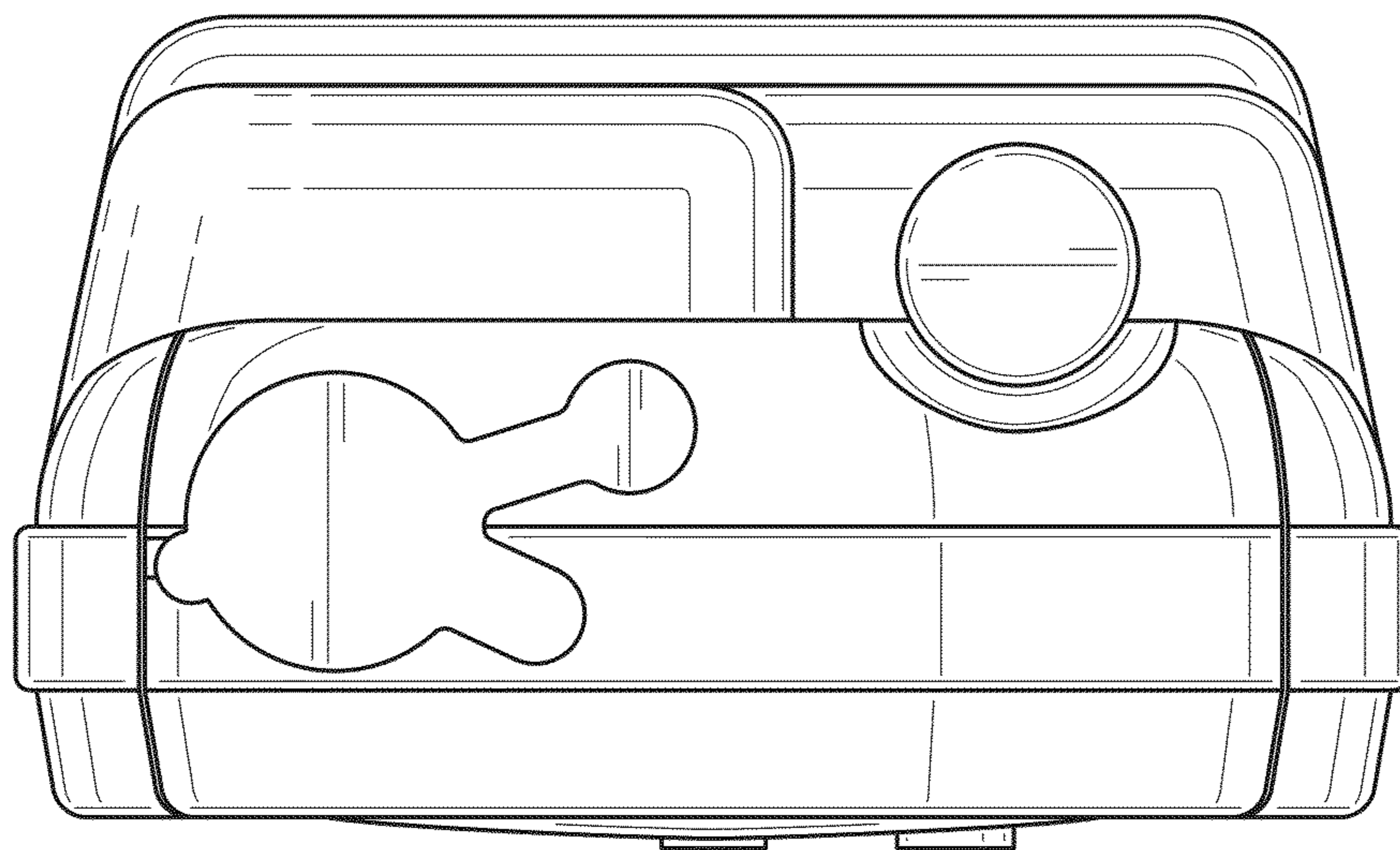


FIG. 6

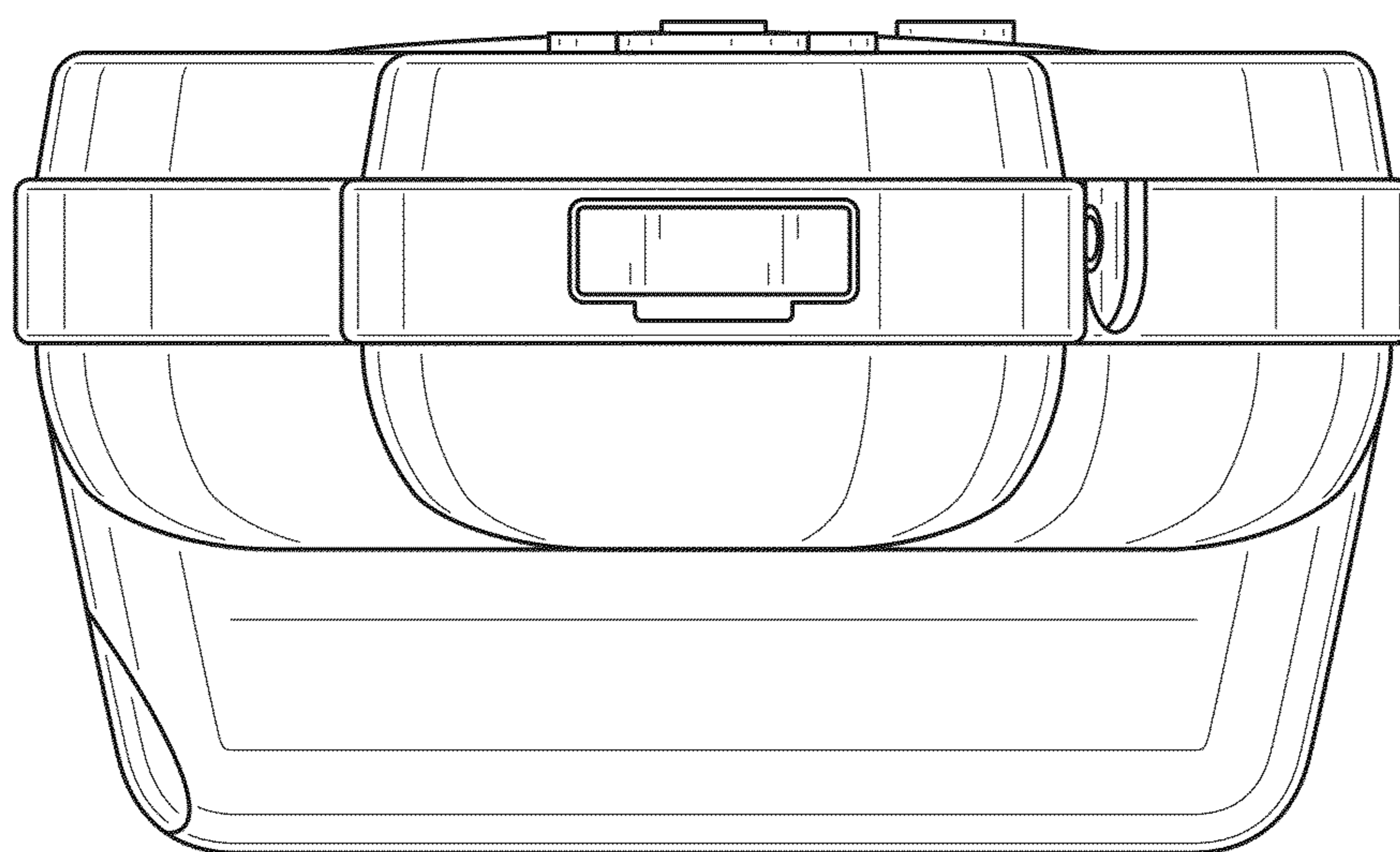


FIG. 7