

US00D721978S

(12) **United States Design Patent**  
**Tovar**

(10) **Patent No.:** **US D721,978 S**

(45) **Date of Patent:** **\*\* Feb. 3, 2015**

- (54) **SPORTS TRAINING WATCH**
- (71) Applicant: **Dustin S. Tovar**, Omaha, NE (US)
- (72) Inventor: **Dustin S. Tovar**, Omaha, NE (US)
- (\*\*) Term: **14 Years**
- (21) Appl. No.: **29/485,917**
- (22) Filed: **Mar. 25, 2014**
- (51) **LOC (10) Cl.** ..... **10-02**
- (52) **U.S. Cl.**  
USPC ..... **D10/38**; D10/31
- (58) **Field of Classification Search**  
CPC ..... G04B 37/0008; G04B 37/0058; G04B  
37/18; G04G 17/08  
USPC ..... D10/30-39, 40, 41, 97, 98, 68;  
368/276, 281, 282, 285; D24/167;  
D14/344  
See application file for complete search history.

7,263,461	B2 *	8/2007	Sugai	.....	702/150
D564,366	S *	3/2008	Yeh et al.	.....	D10/30
D564,367	S *	3/2008	Molyneux	.....	D10/31
D589,375	S *	3/2009	Tang	.....	D10/32
D628,498	S *	12/2010	Arellano	.....	D10/38
D637,918	S *	5/2011	Cobbett et al.	.....	D10/31
8,050,716	B2 *	11/2011	Shin et al.	.....	455/558
8,088,043	B2 *	1/2012	Andren et al.	.....	482/8
8,562,489	B2 *	10/2013	Burton et al.	.....	482/9
8,641,306	B2 *	2/2014	Schaffer	.....	400/477
2008/0074958	A1 *	3/2008	Moran	.....	368/282
2011/0012796	A1 *	1/2011	Kim et al.	.....	343/702
2011/0032105	A1 *	2/2011	Hoffman et al.	.....	340/573.1

\* cited by examiner

*Primary Examiner* — Lucy Lieberman

(74) *Attorney, Agent, or Firm* — Dale J. Ream

(57) **CLAIM**

The ornamental design for a sports training watch, as shown and described.

**DESCRIPTION**

FIG. 1 is a perspective view of a sports training watch showing my new design;  
 FIG. 2 is a front view thereof;  
 FIG. 3 is a back view thereof;  
 FIG. 4 is a left side view thereof;  
 FIG. 5 is a right side view thereof;  
 FIG. 6 is a top view thereof; and,  
 FIG. 7 is a bottom view thereof.

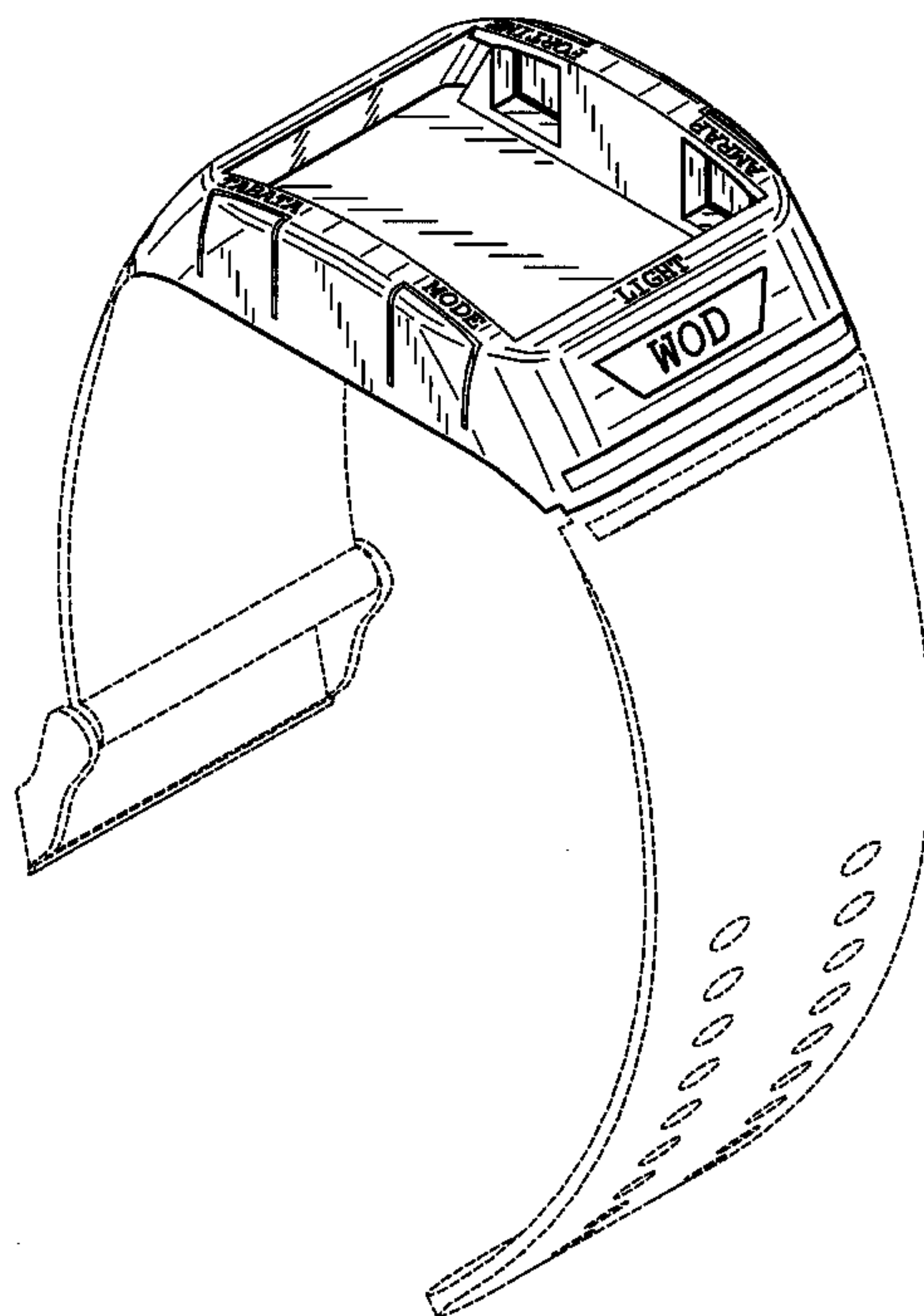
In the drawings, the broken lines showing a watch wrist band illustrate environment and form no part of the claimed design.

**1 Claim, 5 Drawing Sheets**

(56) **References Cited**

U.S. PATENT DOCUMENTS

D147,546	S *	9/1947	Gates	.....	D10/38
4,159,416	A *	6/1979	Brejnik et al.	.....	377/19
4,855,942	A *	8/1989	Bianco	.....	702/160
D314,709	S *	2/1991	Braun	.....	D10/30
D331,020	S *	11/1992	Ishii et al.	.....	D10/31
5,657,298	A *	8/1997	Choay	.....	368/276
D452,006	S *	12/2001	Komulainen	.....	D24/167
D475,935	S *	6/2003	Modolo	.....	D10/39
D534,438	S *	1/2007	Bedat	.....	D10/32
D536,265	S *	2/2007	Reynoso	.....	D10/31
D549,602	S *	8/2007	Oberrieder et al.	.....	D10/65



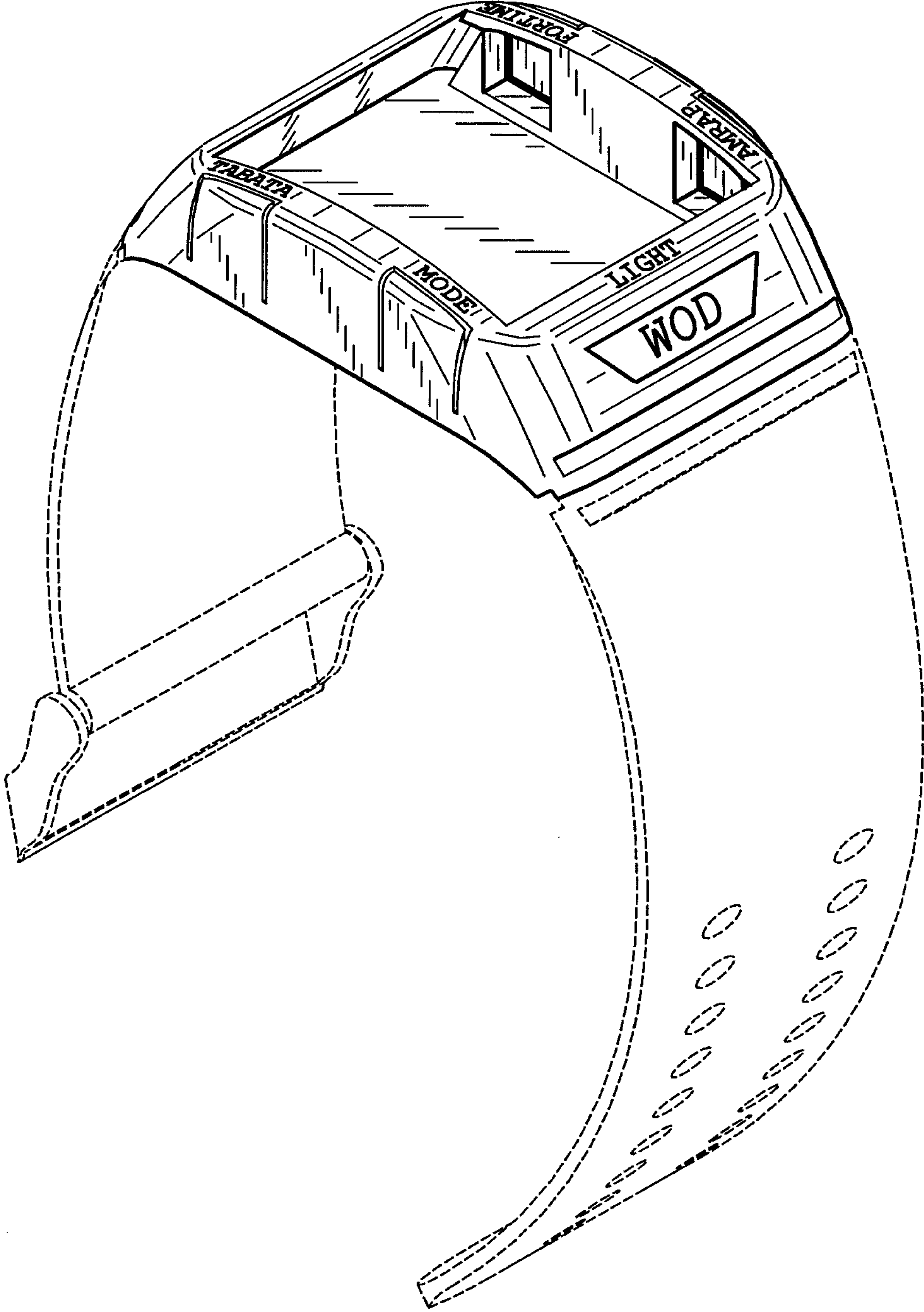


FIG. 1

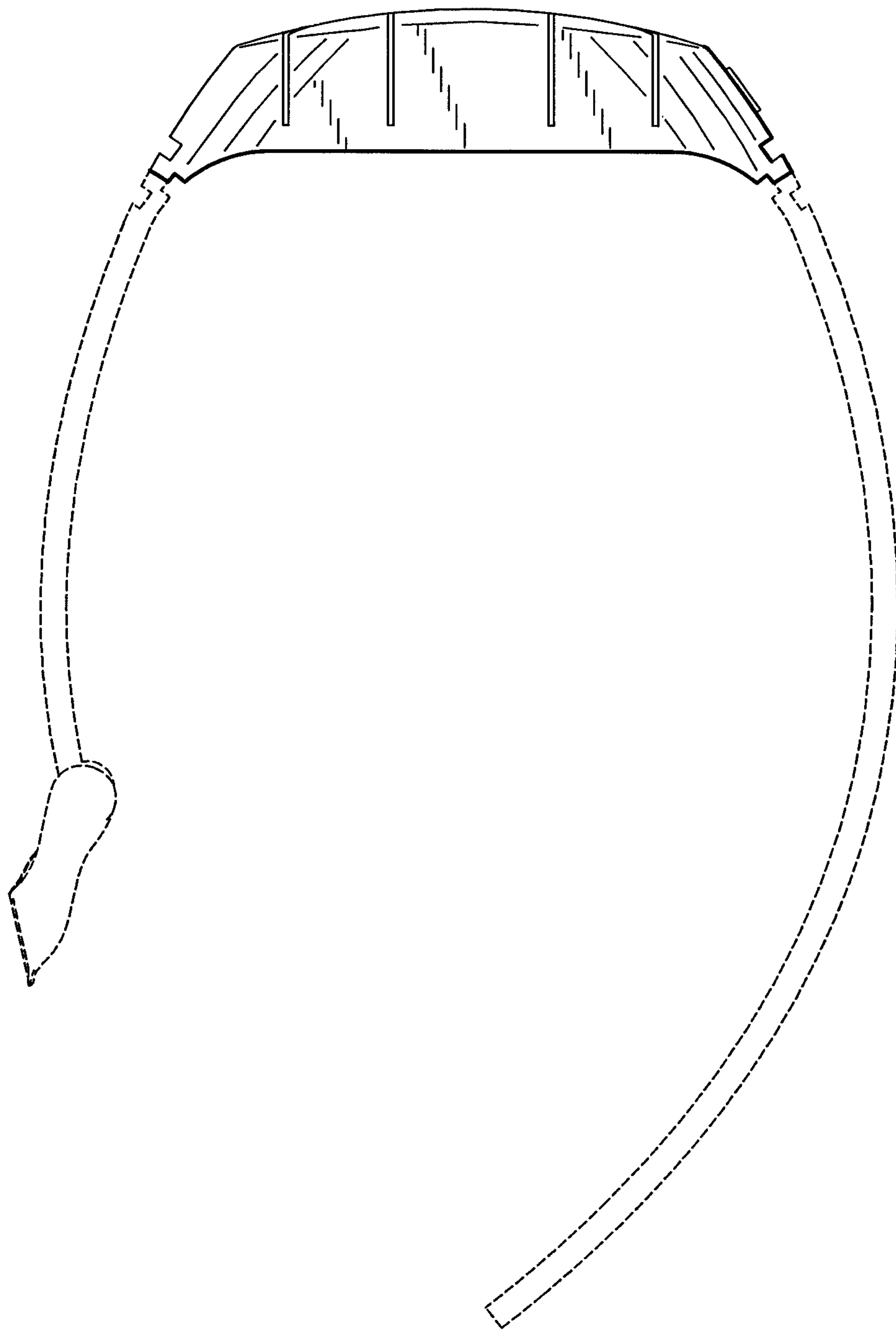


FIG. 2

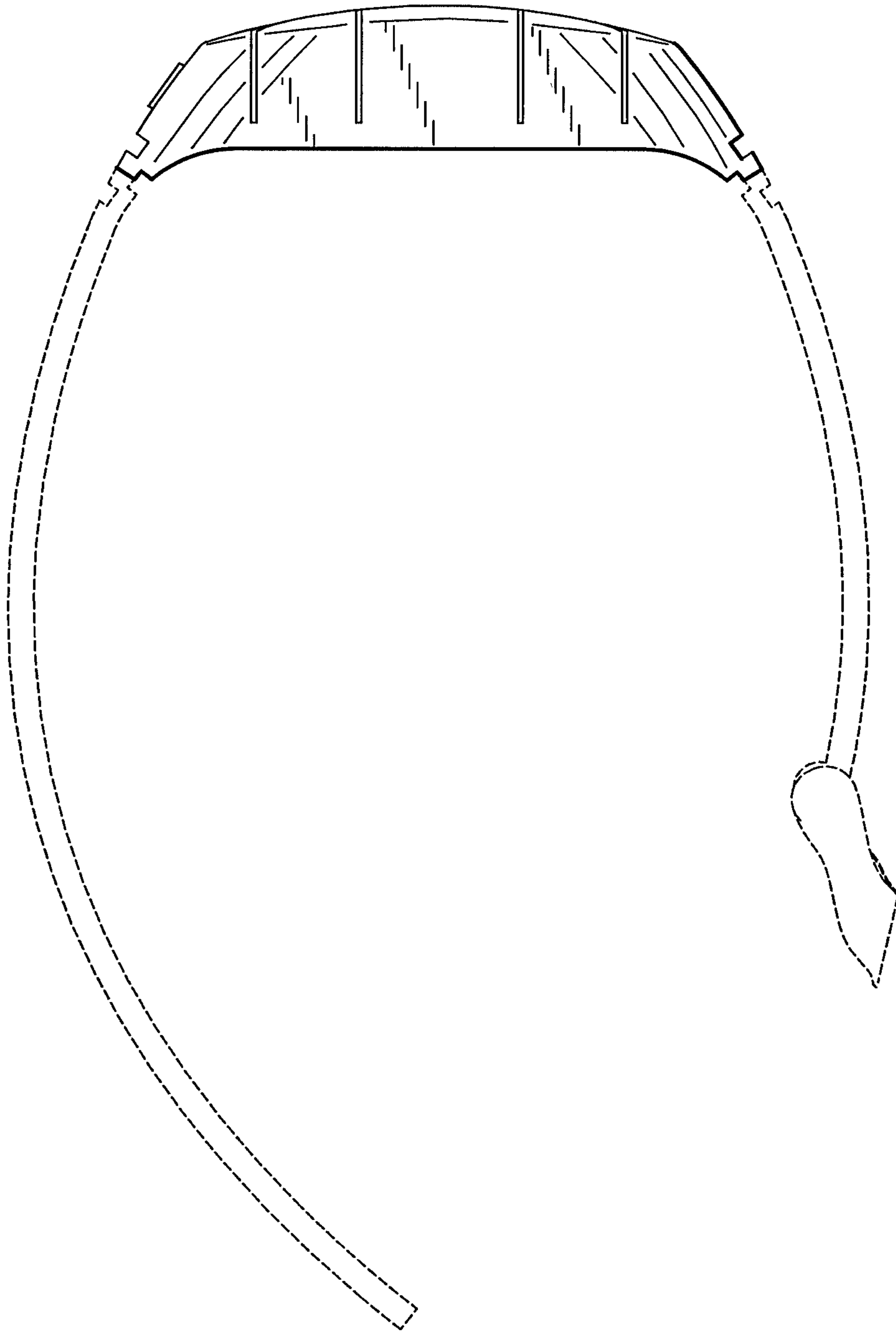


FIG. 3

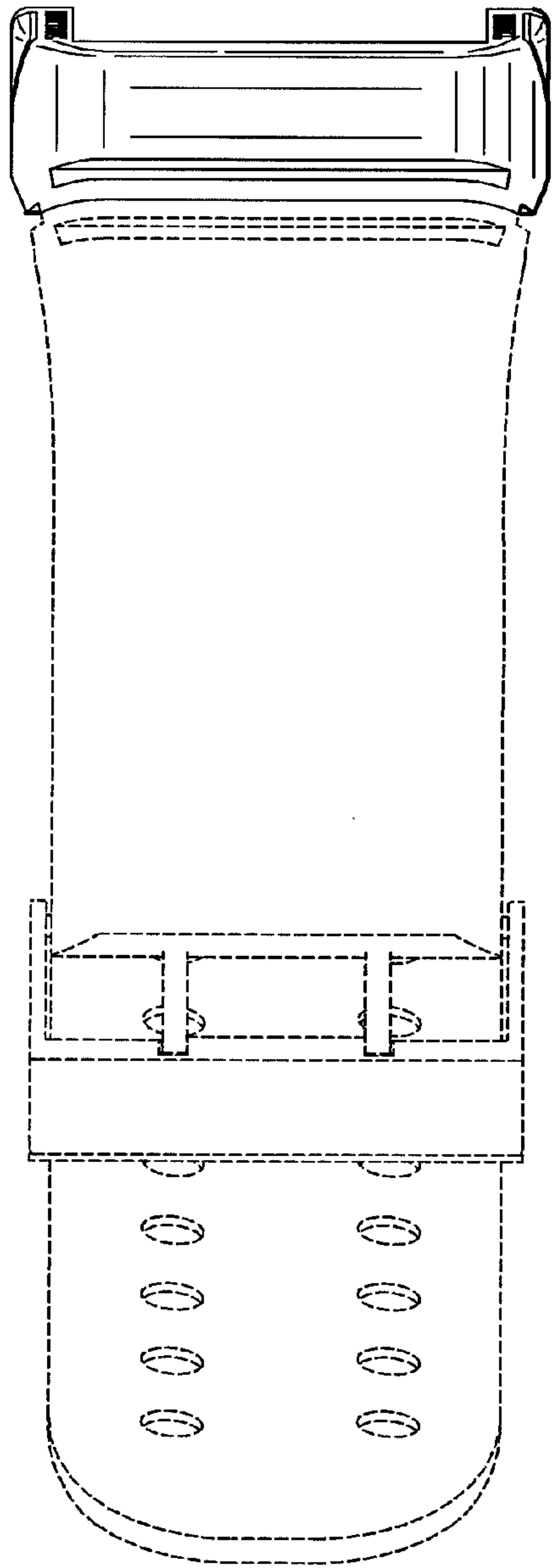


FIG. 4

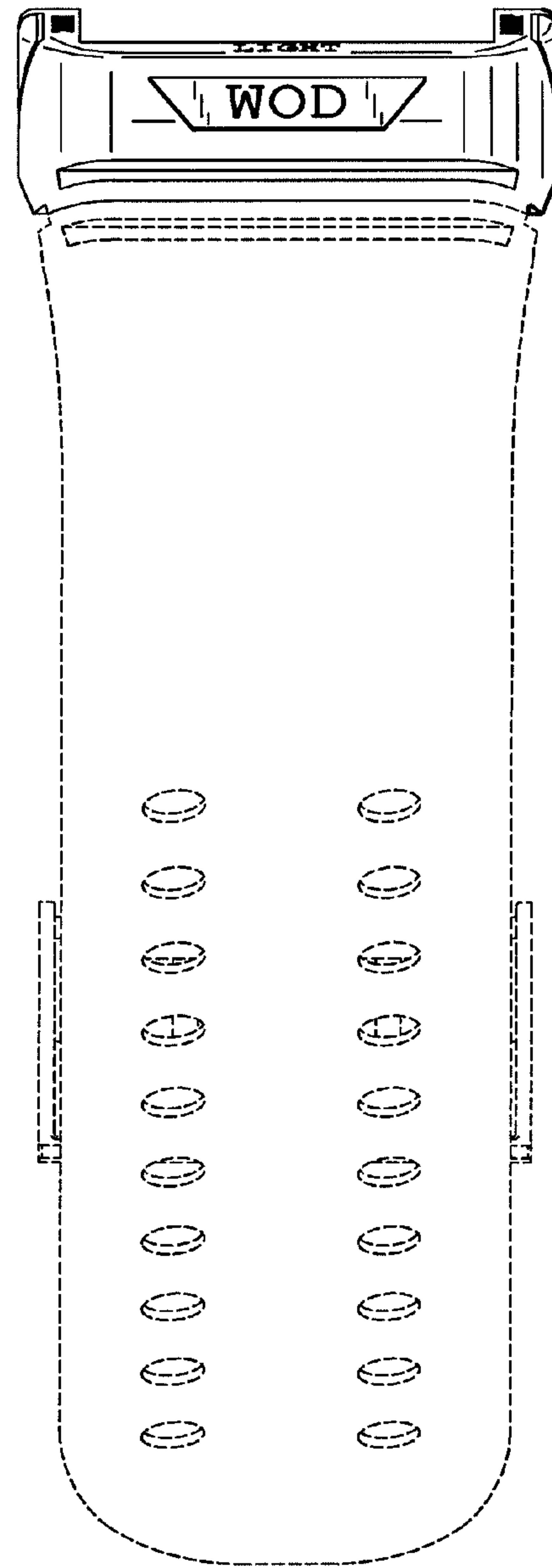


FIG. 5



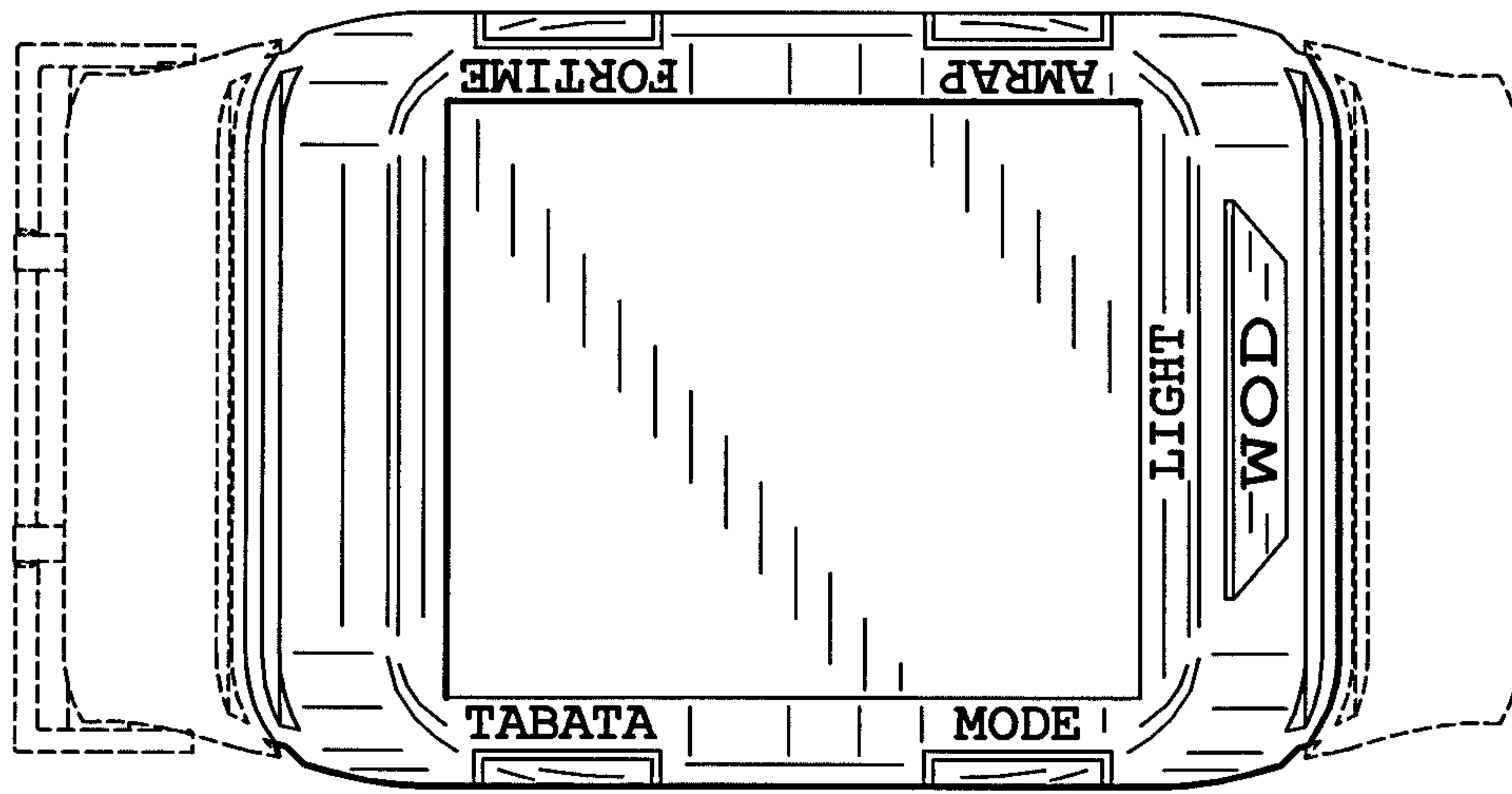


FIG. 6

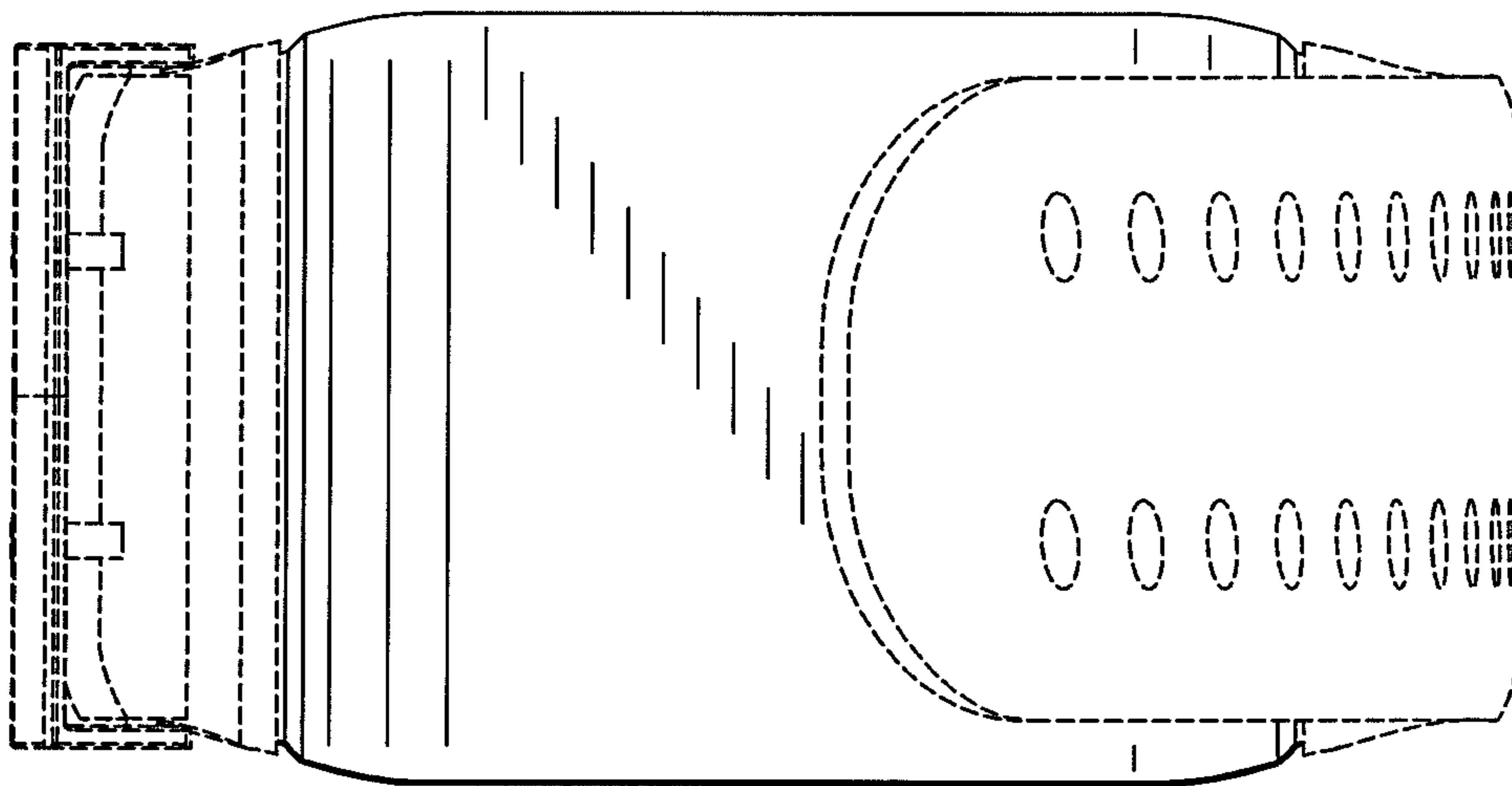


FIG. 7