



US00D721975S

(12) **United States Design Patent**
Arefieg

(10) **Patent No.:** **US D721,975 S**

(45) **Date of Patent:** **** Feb. 3, 2015**

(54) **ADHESIVE BANDAGE DISPENSER IN THE SHAPE OF A DONUT**

(71) Applicant: **Thuban, Inc.**, Ridgefield, CT (US)

(72) Inventor: **Rana J. Arefieg**, Ridgefield, CT (US)

(73) Assignee: **Thuban, Inc.**, Ridgefield, CT (US)

(**) Term: **14 Years**

(21) Appl. No.: **29/481,146**

(22) Filed: **Feb. 1, 2014**

(51) **LOC (10) Cl.** **09-01**

(52) **U.S. Cl.**
USPC **D9/643; D9/730**

(58) **Field of Classification Search**
USPC D9/600, 643, 730-734.516, 549;
D7/514-515, 517, 519-520;
D3/270-271.3; 215/381-384,
215/387-388; 206/376, 457, 527, 390;
D1/120

See application file for complete search history.

(56) **References Cited**

U.S. PATENT DOCUMENTS

6,213,343 B1 * 4/2001 Damikolas 221/25
D442,350 S * 5/2001 Atwell D1/120

D445,309 S * 7/2001 Menow et al. D7/628
D451,797 S * 12/2001 Davis D9/643
D471,799 S * 3/2003 Davis D9/643
D495,207 S * 8/2004 Since et al. D7/515
D523,750 S * 6/2006 Lee et al. D9/549
D609,118 S * 2/2010 Woodworth D9/730
D626,433 S * 11/2010 Luciano et al. D9/731

* cited by examiner

Primary Examiner — Sandra Morris

(74) *Attorney, Agent, or Firm* — David M. Quinlan, P.C.

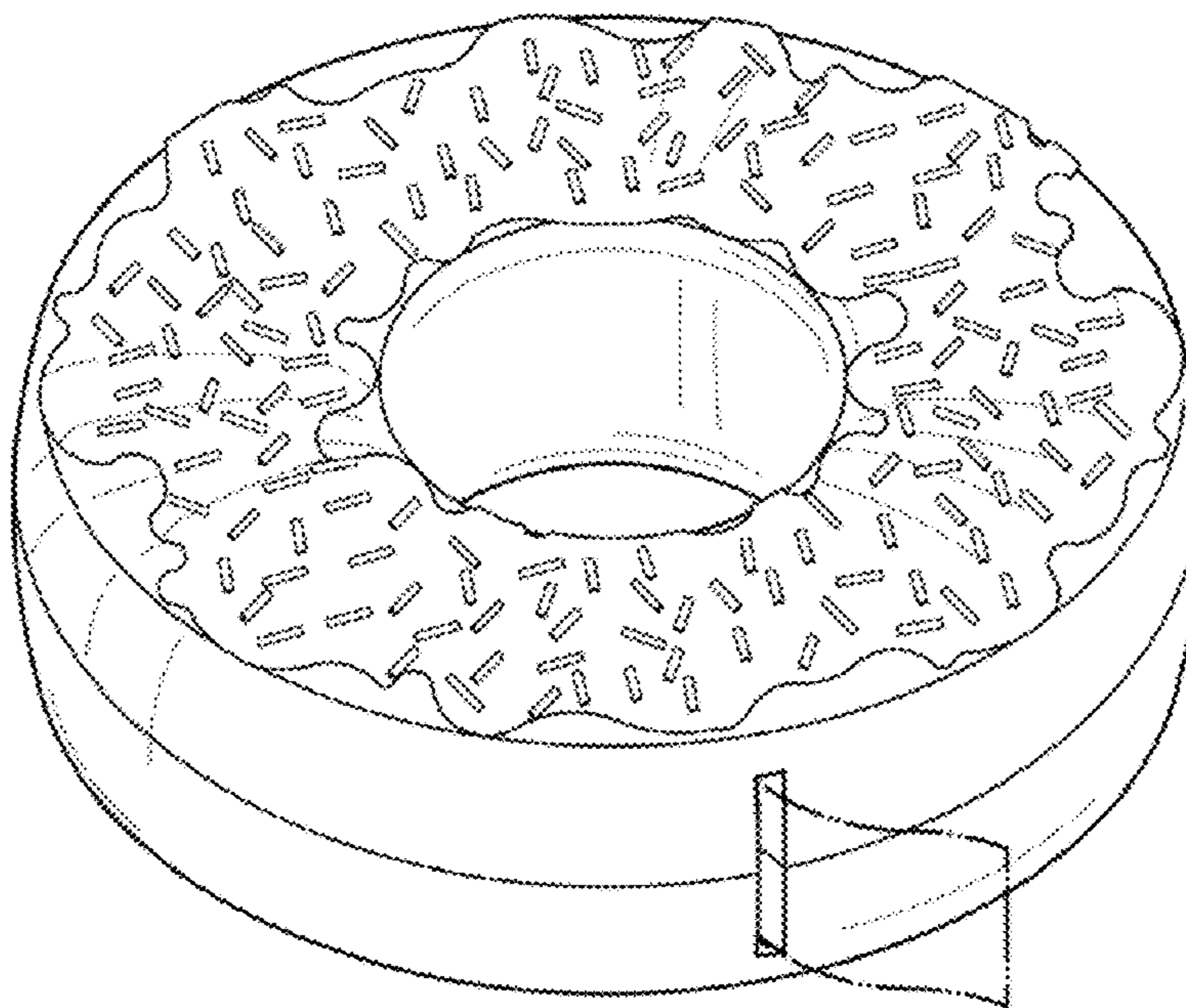
(57) **CLAIM**

The ornamental design for an adhesive bandage dispenser in the shape of a donut, as shown and described.

DESCRIPTION

FIG. 1 is an isometric view of an adhesive bandage dispenser in the shape of a donut showing my new design;
FIG. 2 is a top view thereof;
FIG. 3 is a bottom view thereof;
FIG. 4 is a front view thereof;
FIG. 5 is a rear view thereof;
FIG. 6 is a right side view thereof; and,
FIG. 7 is a left side view thereof.
The broken lines depict an adhesive bandage being dispensed from the article and form no part of the design.

1 Claim, 4 Drawing Sheets



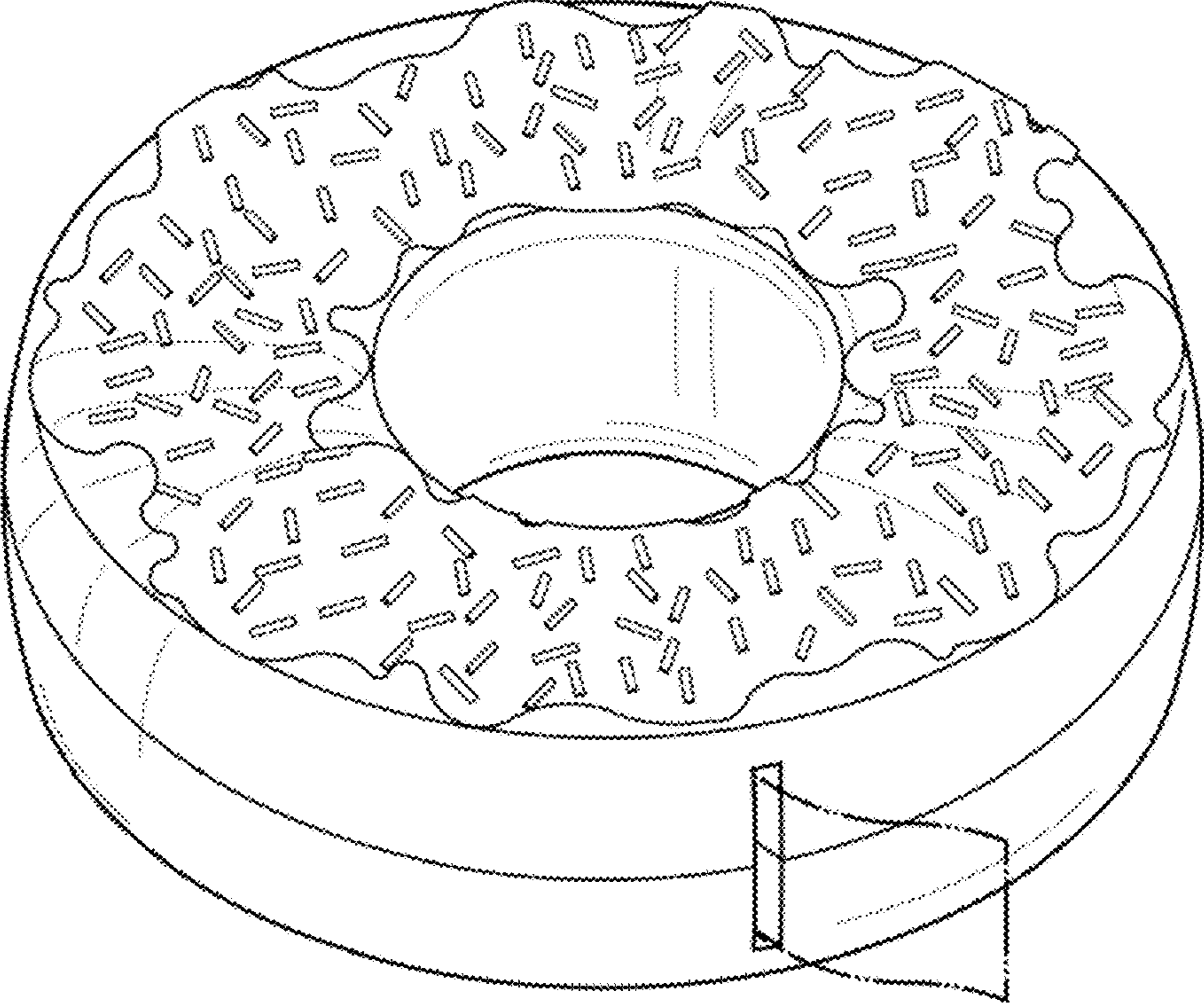


FIG. 1

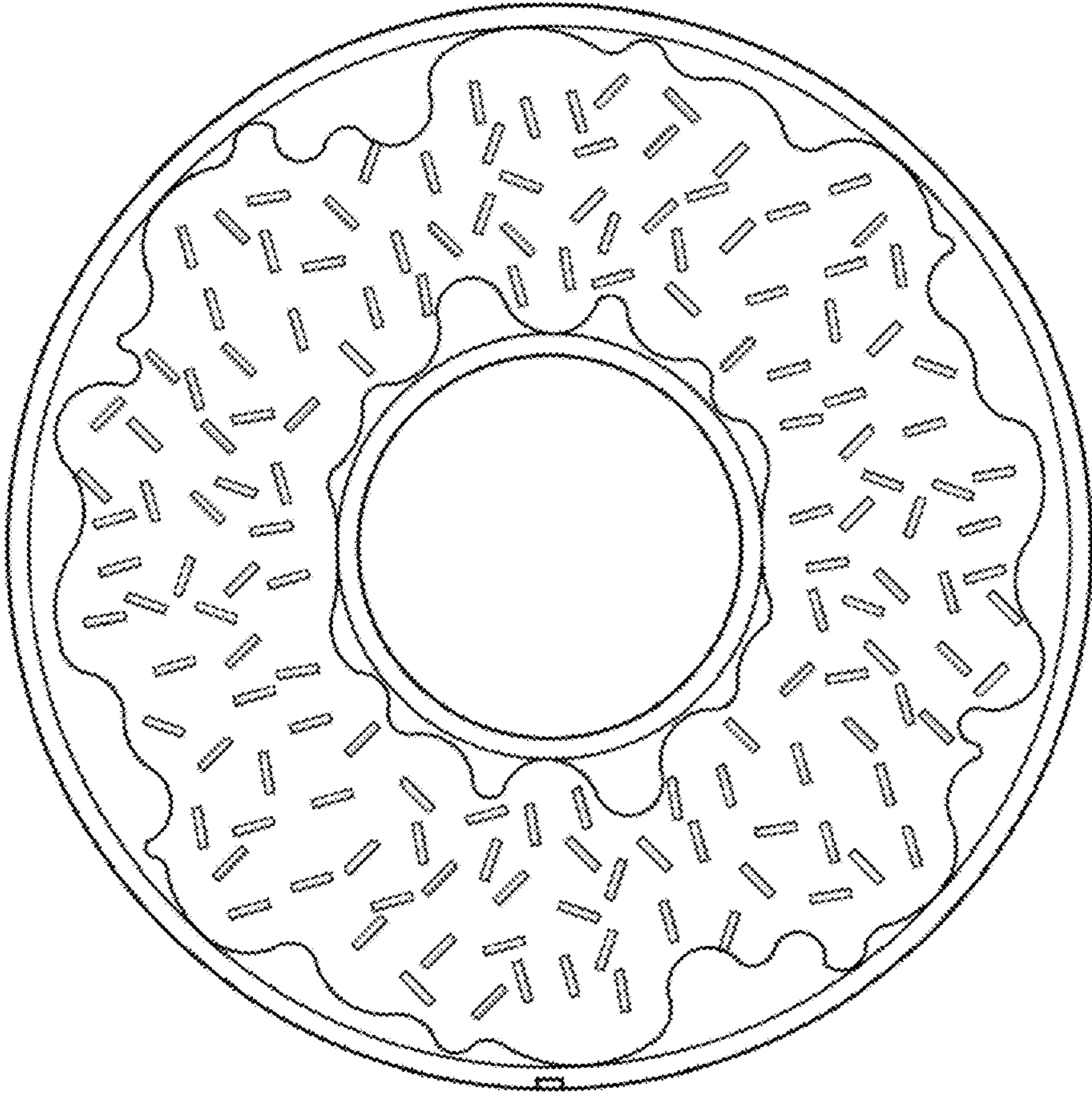


FIG. 2

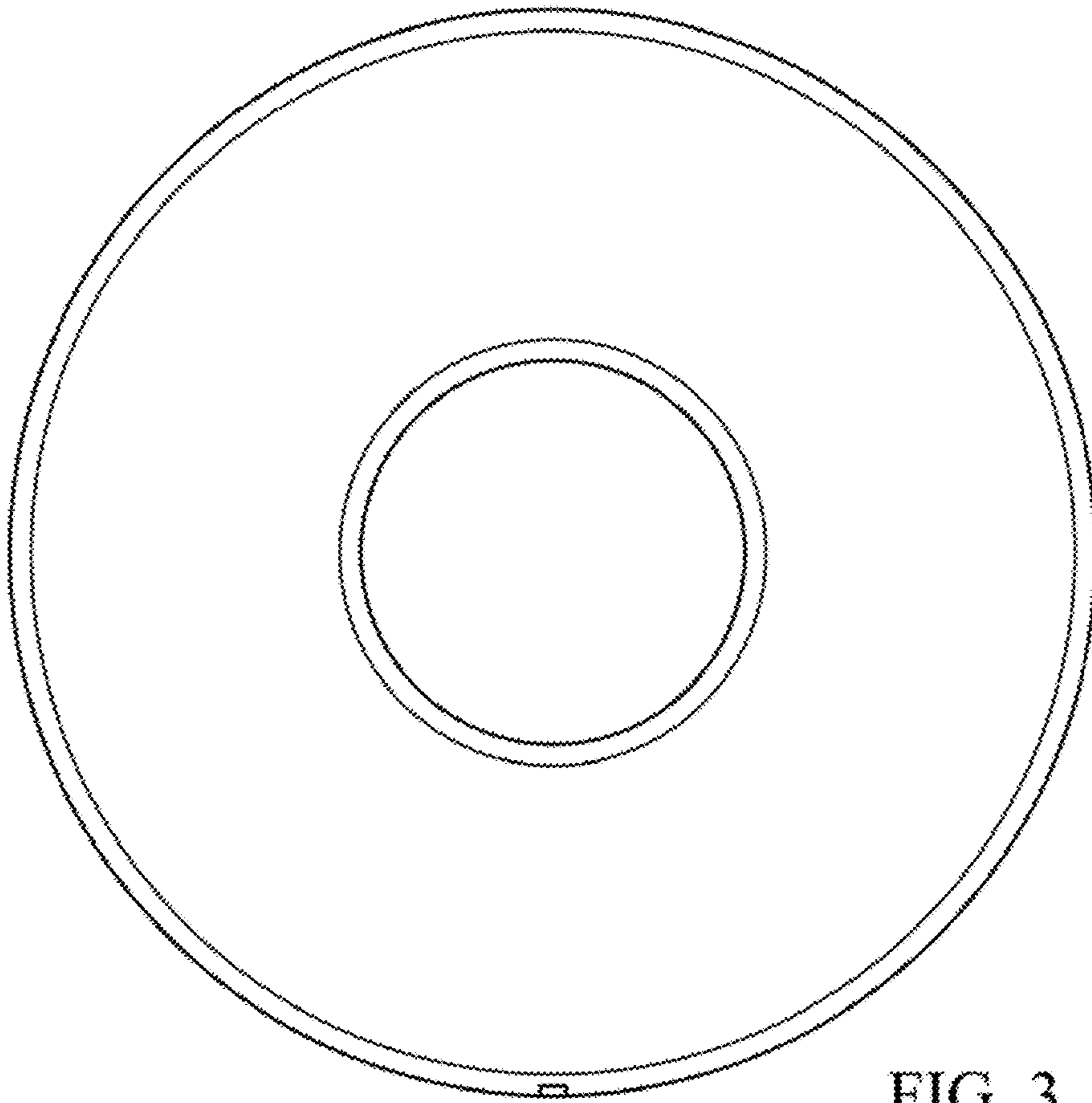


FIG. 3

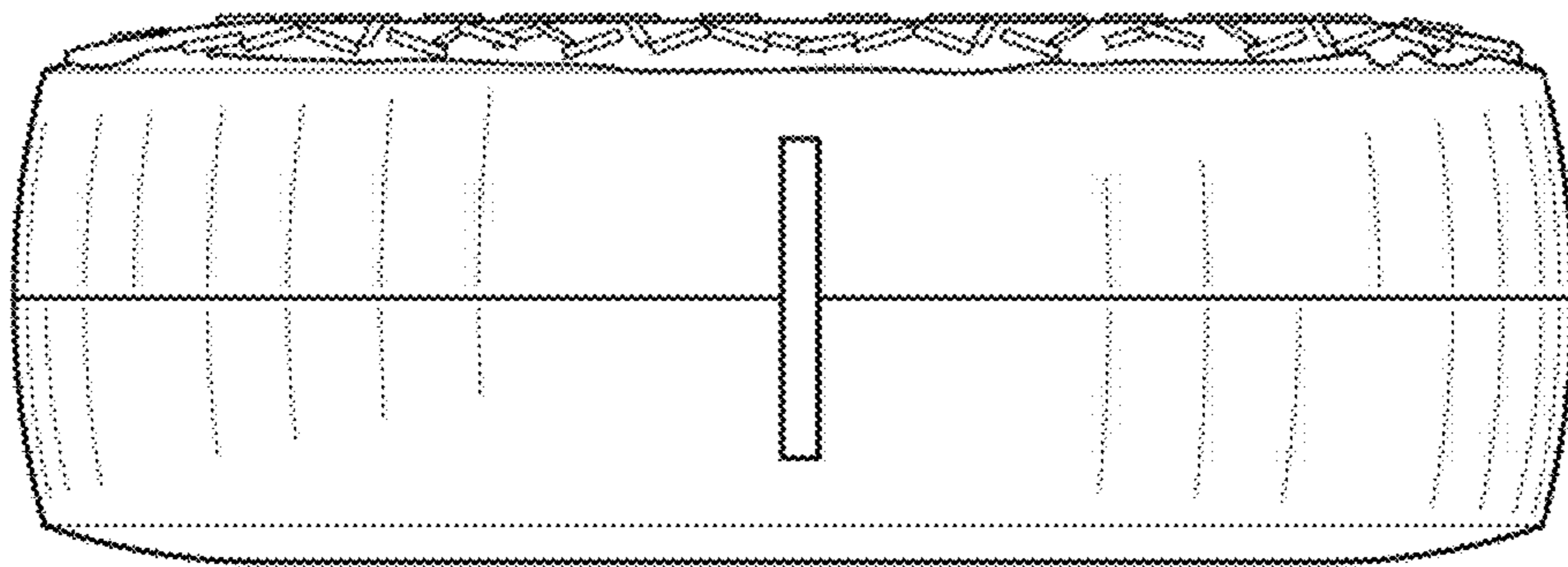


FIG. 4

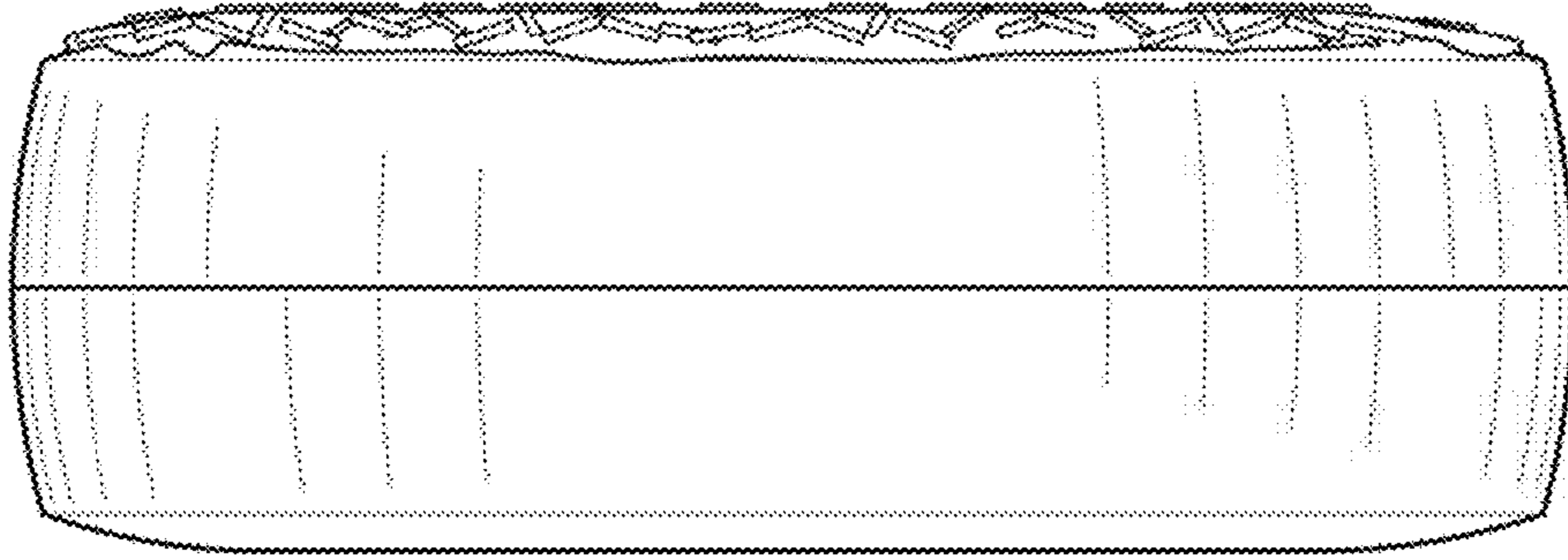


FIG. 5

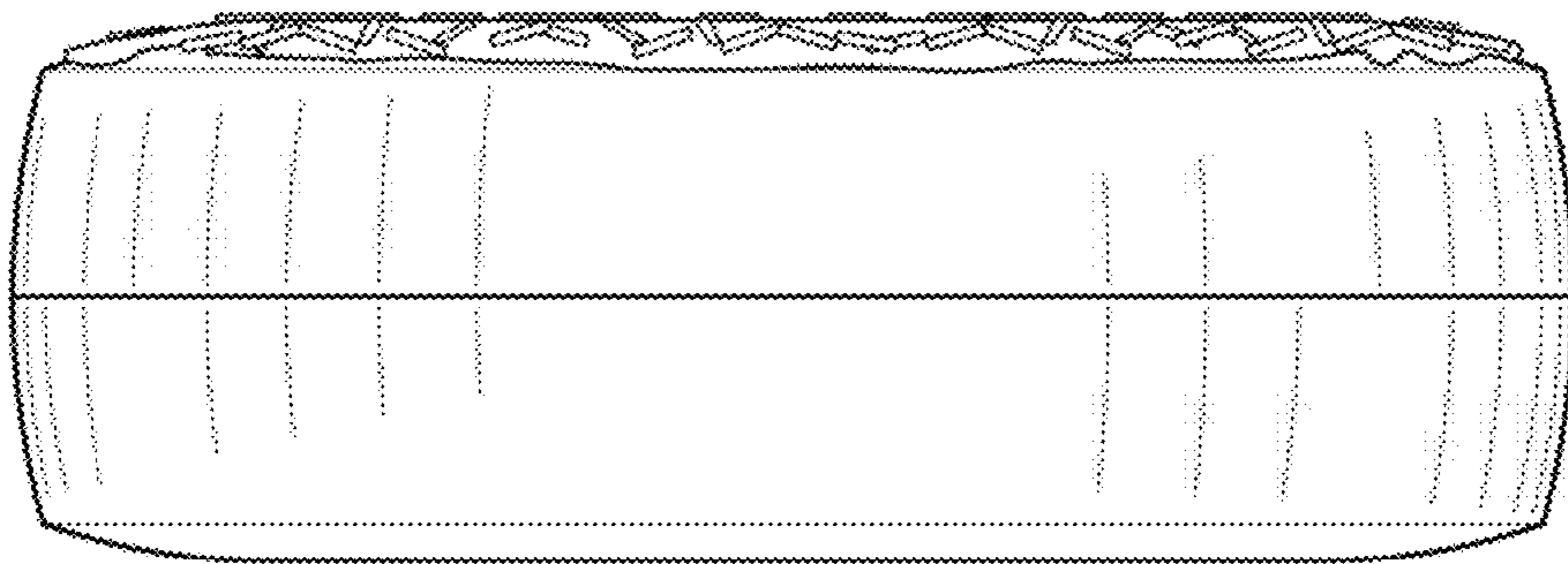


FIG. 6

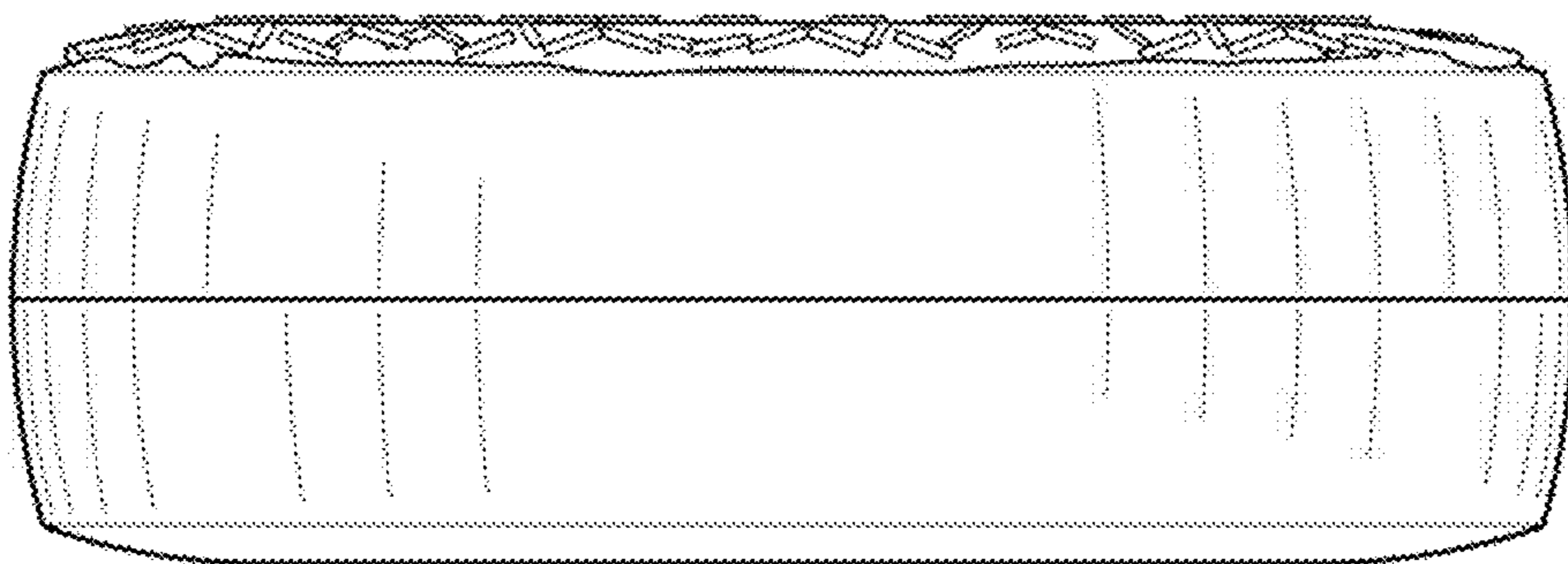


FIG. 7