



US00D721967S

(12) **United States Design Patent**
DeMarco

(10) **Patent No.:** **US D721,967 S**

(45) **Date of Patent:** **** Feb. 3, 2015**

- (54) **COSMETIC CONTAINER**
- (71) Applicant: **Mary Kay Inc.**, Dallas, TX (US)
- (72) Inventor: **Jenny DeMarco**, Frisco, TX (US)
- (73) Assignee: **Mary Kay Inc.**, Addison, TX (US)
- (**) Term: **14 Years**

D402,894 S	12/1998	Elia	9/504
D405,003 S	2/1999	Dapsanse	9/663
D406,921 S	3/1999	Roeder	28/7
D423,924 S *	5/2000	Laracy	D9/692
D434,324 S	11/2000	Gobe	9/504
D446,123 S	8/2001	Sobati	9/516
D446,728 S	8/2001	Bakic	9/558
D460,545 S *	7/2002	Hautmann et al.	D23/366
D463,262 S *	9/2002	Gobe	D9/689

(Continued)

- (21) Appl. No.: **29/458,540**
- (22) Filed: **Jun. 20, 2013**
- (51) **LOC (10) Cl.** **09-01**
- (52) **U.S. Cl.**
USPC **D9/504**
- (58) **Field of Classification Search**
CPC B65D 1/00; B65D 1/02; B65D 1/0223;
B65D 1/10; B65D 23/00; B65D 2501/00;
B65D 2501/0009
USPC D9/434-435, 444-445, 454, 500,
D9/502-505, 516, 529, 537, 539, 544-545,
D9/549, 558, 682, 686, 688-691, 715,
D9/719; D7/300, 300.1, 598; D23/366;
D28/43, 46-44, 91, 91.1; 215/379,
215/381-382; 220/660, 662, 675
See application file for complete search history.

FOREIGN PATENT DOCUMENTS

CN	91302498.8	9/1992
CN	97330350.6	12/1998

(Continued)

OTHER PUBLICATIONS

"A New Beauty Brand is Born; The Estée Lauder Companies Inc. Unveils Osiao" *Emirates Week*, Oct. 3, 2012. Web. Dec. 27, 2013. <http://www.emiratesweek.com/2012/10/29294>.

(Continued)

Primary Examiner — Ian Simmons
Assistant Examiner — Dana L Meyrow
(74) *Attorney, Agent, or Firm* — Fulbright & Jaworski LLP

(56) **References Cited**

U.S. PATENT DOCUMENTS

1,163,805 A *	12/1915	Bonn et al.	215/319
2,068,749 A *	1/1937	La Douce	222/42
2,711,766 A	6/1955	Archer et al.	220/62.18
2,793,012 A *	5/1957	Wolf	366/248
3,464,599 A *	9/1969	Meth	222/589
D253,037 S *	10/1979	Barouh	D9/504
D271,082 S	10/1983	Jackson	9/651
D278,598 S *	4/1985	Weber	D9/504
D285,655 S	9/1986	MachLaughlin et al.	9/500
D355,098 S *	2/1995	Lin	D7/605
D372,644 S *	8/1996	Husted	D7/679
D373,730 S *	9/1996	Baron	D9/504

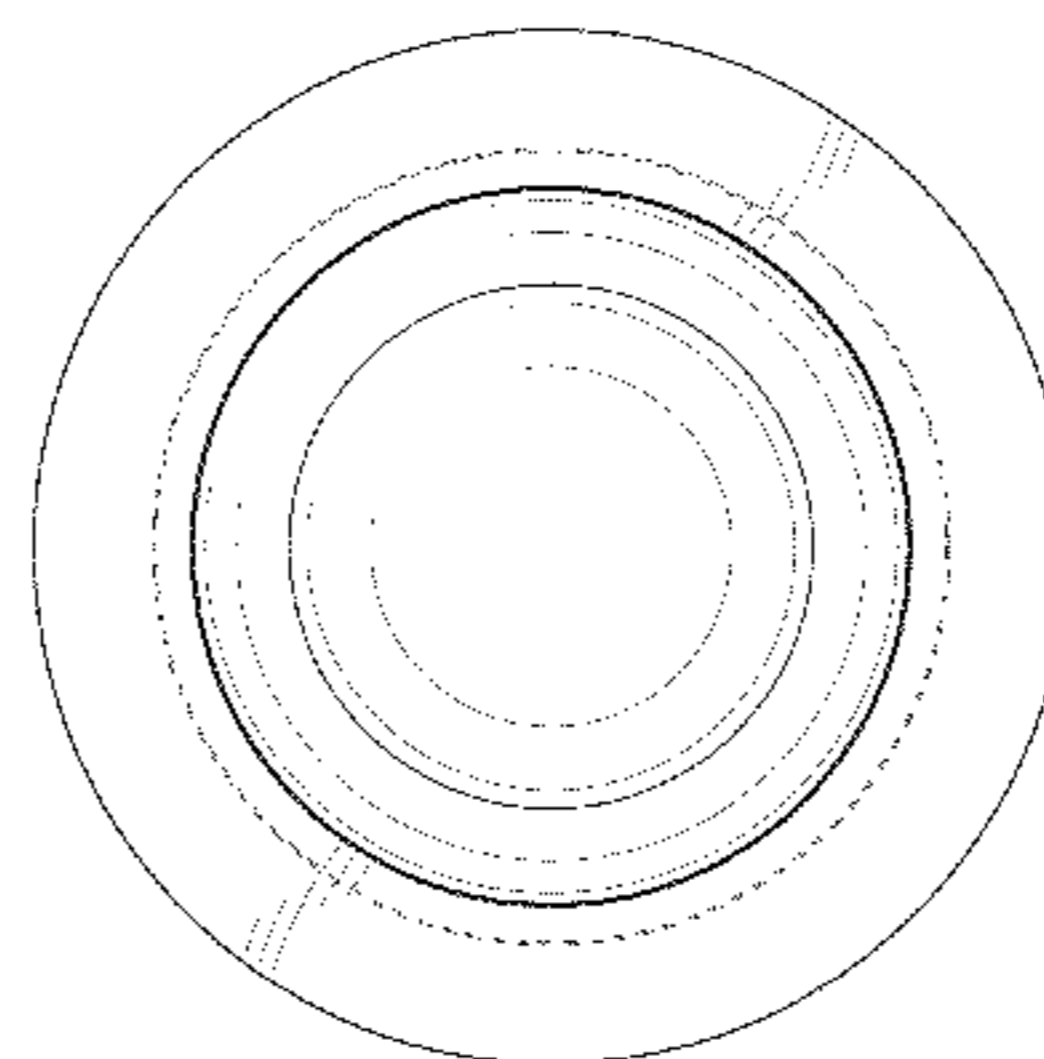
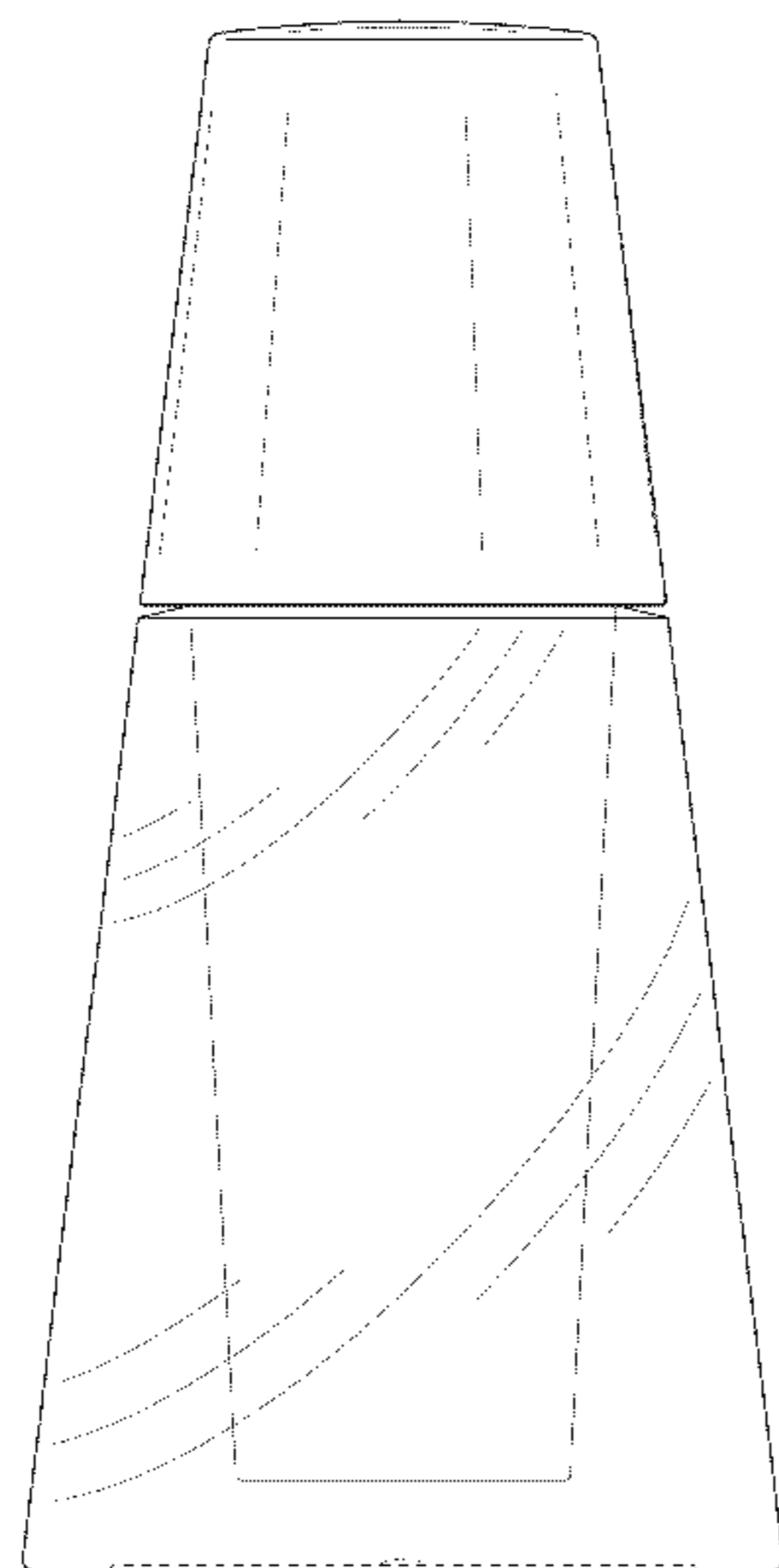
CLAIM

(57) The ornamental designs for cosmetic container, as shown and described.

DESCRIPTION

FIG. 1 is a top perspective view of my design of a cosmetic container;
FIG. 2 is a side elevation view thereof, the opposing side being identical; and,
FIG. 3 is a top plan view thereof.
The dashed lines in the drawings illustrate the portions of the design that form no part of the claim.

1 Claim, 3 Drawing Sheets



(56)

References Cited

U.S. PATENT DOCUMENTS

D465,410 S 11/2002 Kikuchi 9/691
 D470,273 S 2/2003 Revivo 28/76
 D472,147 S 3/2003 Herrmann 9/504
 D483,671 S 12/2003 Pinnavaia 9/500
 D484,055 S 12/2003 Feigenbaum 9/500
 D497,441 S * 10/2004 Therrien et al. D26/9
 D522,369 S 6/2006 Penn 9/520
 D525,167 S * 7/2006 Katznelson D11/153
 D531,041 S 10/2006 Sauer et al. 9/529
 D541,159 S 4/2007 Robinson 9/516
 D542,665 S 5/2007 Poe, II 9/529
 D544,352 S 6/2007 Dittmer et al. 9/504
 D545,678 S 7/2007 Dittmer et al. 9/504
 D548,084 S 8/2007 Dittmer et al. 9/504
 D571,663 S 6/2008 Bakic 9/500
 D581,279 S 11/2008 Oates 9/529
 D595,136 S 6/2009 Canamasas Puigbo 9/529
 D603,266 S 11/2009 Dibnah et al. 9/529
 D604,163 S 11/2009 Nelson et al. 9/504
 D605,943 S * 12/2009 Mueller et al. D9/516
 D613,174 S 4/2010 Pecora 9/529
 D615,404 S 5/2010 Pitzer et al. 9/500
 D615,868 S 5/2010 Rodriguez et al. 9/529
 D620,807 S * 8/2010 Wang Treadway et al. ... D9/691
 D627,650 S 11/2010 Yeung 9/504
 D634,977 S 3/2011 Mouquet 7/598
 D637,910 S 5/2011 Yeung 9/504
 D638,710 S 5/2011 Yeung 9/504
 D640,925 S 7/2011 Rodriguez et al. 9/529
 D641,245 S 7/2011 Rodriguez et al. 9/529
 D651,900 S 1/2012 Ashiwa et al. 9/504
 D652,319 S 1/2012 Cohen et al. 9/691
 D653,123 S 1/2012 Ziegler 9/773
 D659,537 S 5/2012 Ritzenhoff 9/500

D674,698 S * 1/2013 Mongeon et al. D9/504
 D685,637 S * 7/2013 Colon et al. D9/500
 D685,639 S * 7/2013 Colon et al. D9/504
 D687,303 S * 8/2013 Colon et al. D9/504

FOREIGN PATENT DOCUMENTS

CN 99318602.5 6/2000
 CN 1300811.0 10/2001
 CN 3300318.1 9/2003
 CN 03309569.8 10/2003
 CN 2005/30004027.X 11/2005
 CN 2006/30129937.5 5/2007
 CN 2006/30153078.3 5/2007
 CN 2006/30153067.5 9/2007
 CN 2007/30115836.7 4/2008
 CN 2008/30177004.2 9/2009
 CN 2008/30177012.7 9/2009
 CN 2009/30070342.0 1/2010
 CN 2009/30007682.9 3/2010
 CN 2009/30006647.5 6/2010
 CN 2010/30111073.0 9/2010
 CN 2010/30111212.X 10/2010
 CN 2010/30588086.7 4/2011
 CN 2011/30336500.X 2/2012
 CN 2011/30338718.9 4/2012
 CN 2011/30356224.3 5/2012
 CN 2012/30122099.4 8/2012
 TW D139202 3/2011
 TW D142590 9/2011

OTHER PUBLICATIONS

Search Report issued in Taiwan Patent Application No. 102308280, dated Aug. 1, 2014. (English translation included).

* cited by examiner

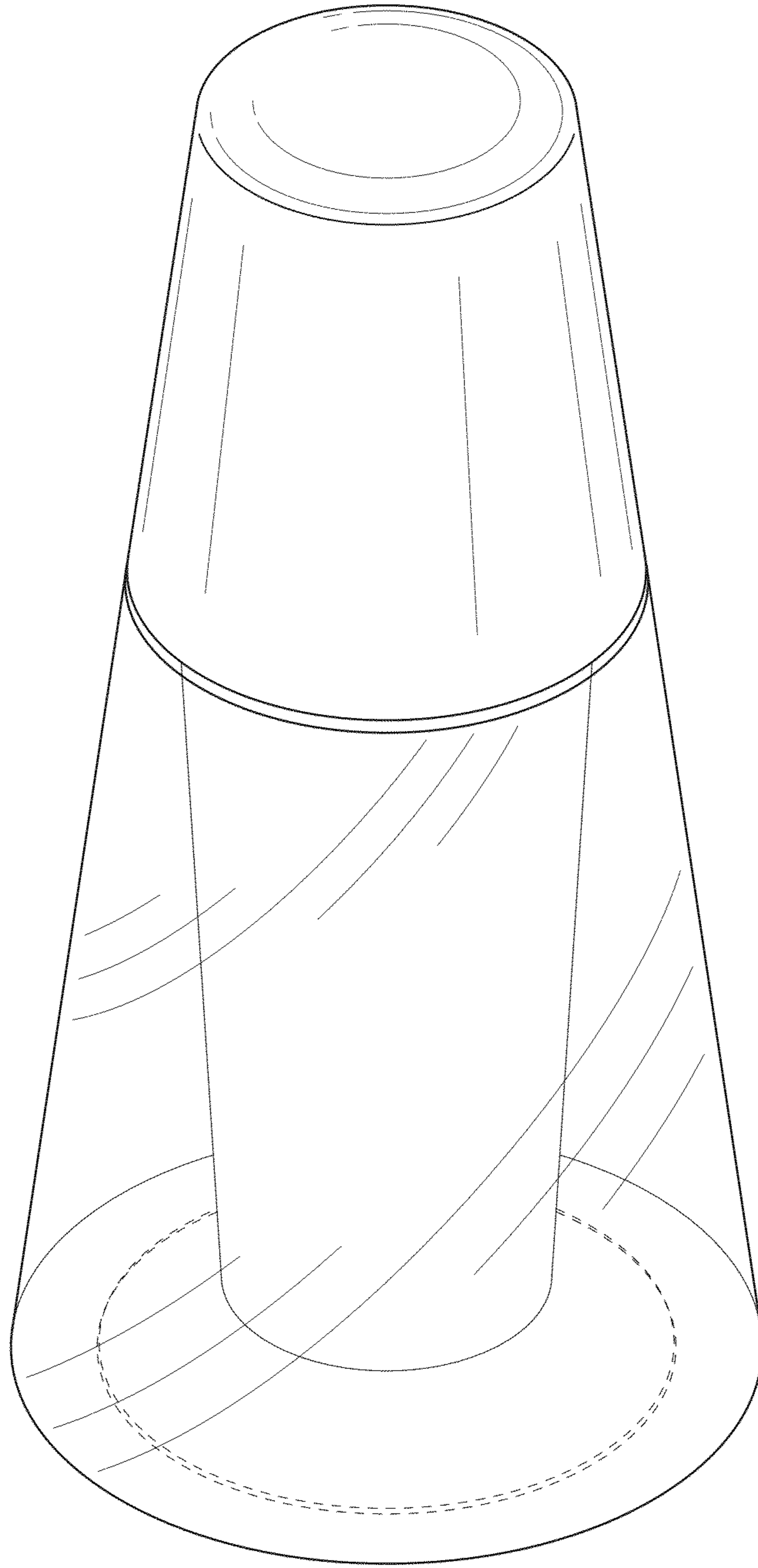


FIG. 1

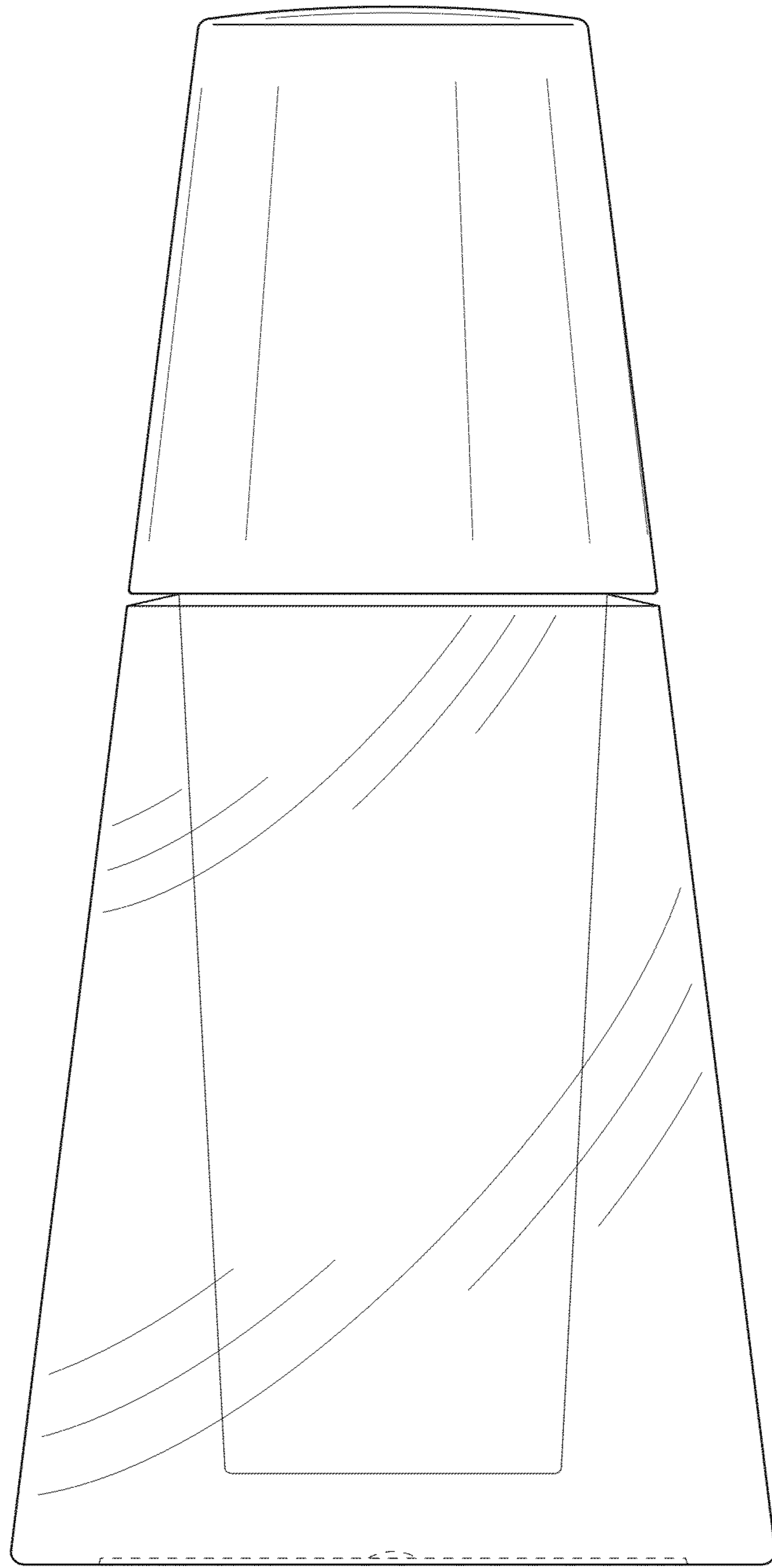


FIG. 2

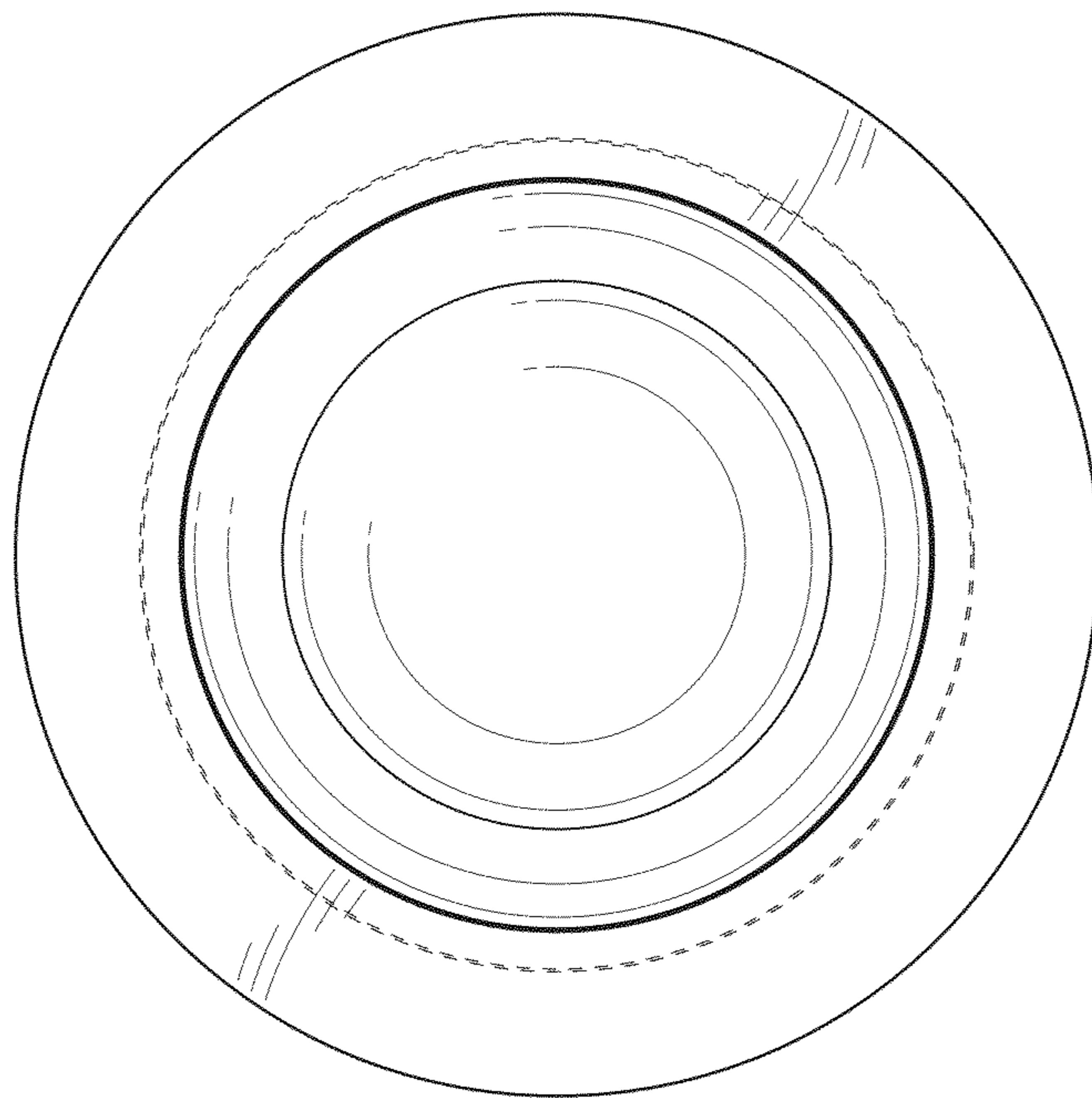


FIG. 3