



US00D721966S

(12) **United States Design Patent**  
**Mathiez**

(10) **Patent No.:** **US D721,966 S**  
(45) **Date of Patent:** **\*\* Feb. 3, 2015**

- (54) **COSMETIC CONTAINER**
- (75) Inventor: **Jean-Louis Mathiez**, Paris (FR)
- (73) Assignee: **cosnova GmbH**, Sulzbach (DE)
- (\*\*) Term: **14 Years**
- (21) Appl. No.: **29/427,419**
- (22) Filed: **Jul. 18, 2012**
- (51) **LOC (10) Cl.** ..... **09-01**
- (52) **U.S. Cl.**  
USPC ..... **D9/504**
- (58) **Field of Classification Search**  
USPC ..... D9/500, 502–505, 516, 530, 537–539,  
D9/549, 558, 575, 682, 686, 688–691, 435,  
D9/454, 529, 652; D4/116; 215/379,  
215/381–382, 370–371, 375, 378; 220/660,  
220/662–664, 669–673, 675, 600, 604, 608  
See application file for complete search history.

- D541,659 S \* 5/2007 Fischer ..... D9/529
- D557,606 S \* 12/2007 Rashid ..... D9/500
- D597,791 S \* 8/2009 Lion et al. .... D7/523
- D619,460 S \* 7/2010 Beckerman ..... D9/500
- D619,894 S \* 7/2010 Ashiwa et al. .... D9/504
- D620,742 S \* 8/2010 Lion et al. .... D7/316
- D637,910 S \* 5/2011 Yeung ..... D9/504
- D646,572 S \* 10/2011 Koeleman ..... D9/500
- D686,509 S \* 7/2013 Ashiwa et al. .... D9/723

\* cited by examiner

*Primary Examiner* — Ian Simmons

*Assistant Examiner* — Dana L Meyrow

(74) *Attorney, Agent, or Firm* — Cahn & Samuels, LLP

(56) **References Cited**

U.S. PATENT DOCUMENTS

- 2,717,727 A \* 9/1955 Robb ..... 222/512
- D180,820 S \* 8/1957 Du Pree ..... D7/317
- 4,189,245 A \* 2/1980 Bennett ..... 401/126
- 5,165,965 A \* 11/1992 Martin ..... 427/256
- D449,228 S \* 10/2001 Nosella ..... D9/500
- D500,445 S \* 1/2005 DeBiasse et al. .... D9/505
- D528,920 S \* 9/2006 Priestman ..... D9/529

(57) **CLAIM**

The ornamental design for a cosmetic container, as shown and described.

**DESCRIPTION**

FIG. 1 is a front elevation view of a cosmetic container showing my new design.

FIG. 2 is a side elevation view thereof.

FIG. 3 is a top perspective view thereof.

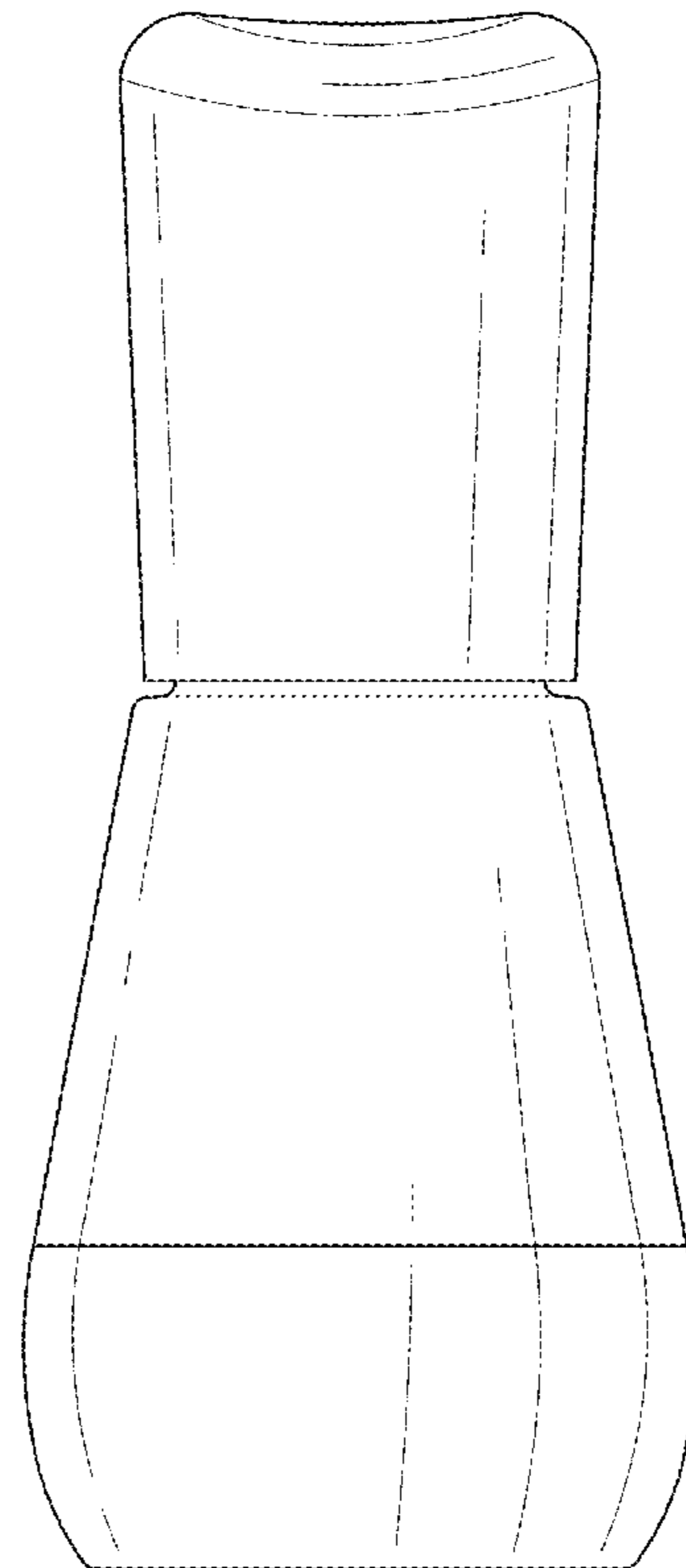
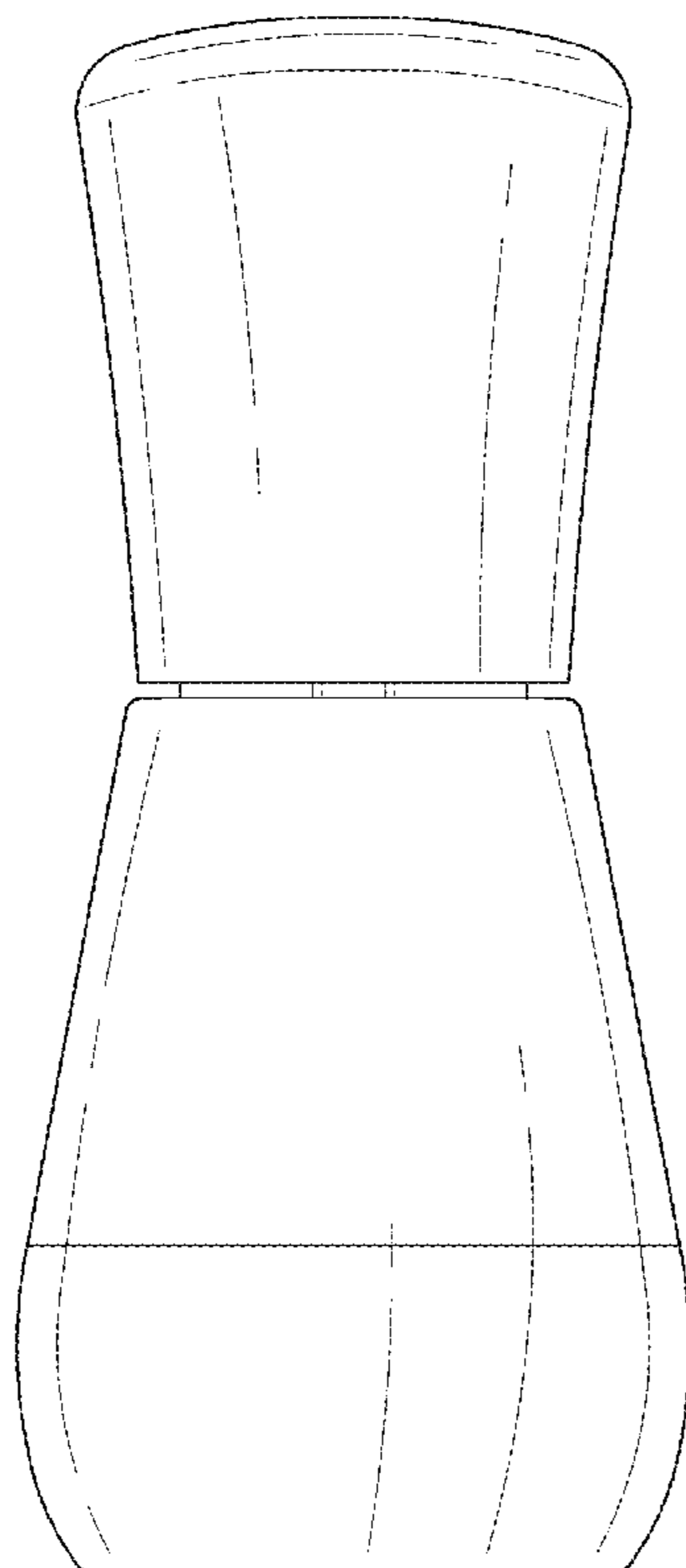
FIG. 4 is a bottom perspective view thereof.

FIG. 5 is another top perspective view thereof.

FIG. 6 is another top perspective view thereof; and,

FIG. 7 is another bottom perspective view.

**1 Claim, 7 Drawing Sheets**



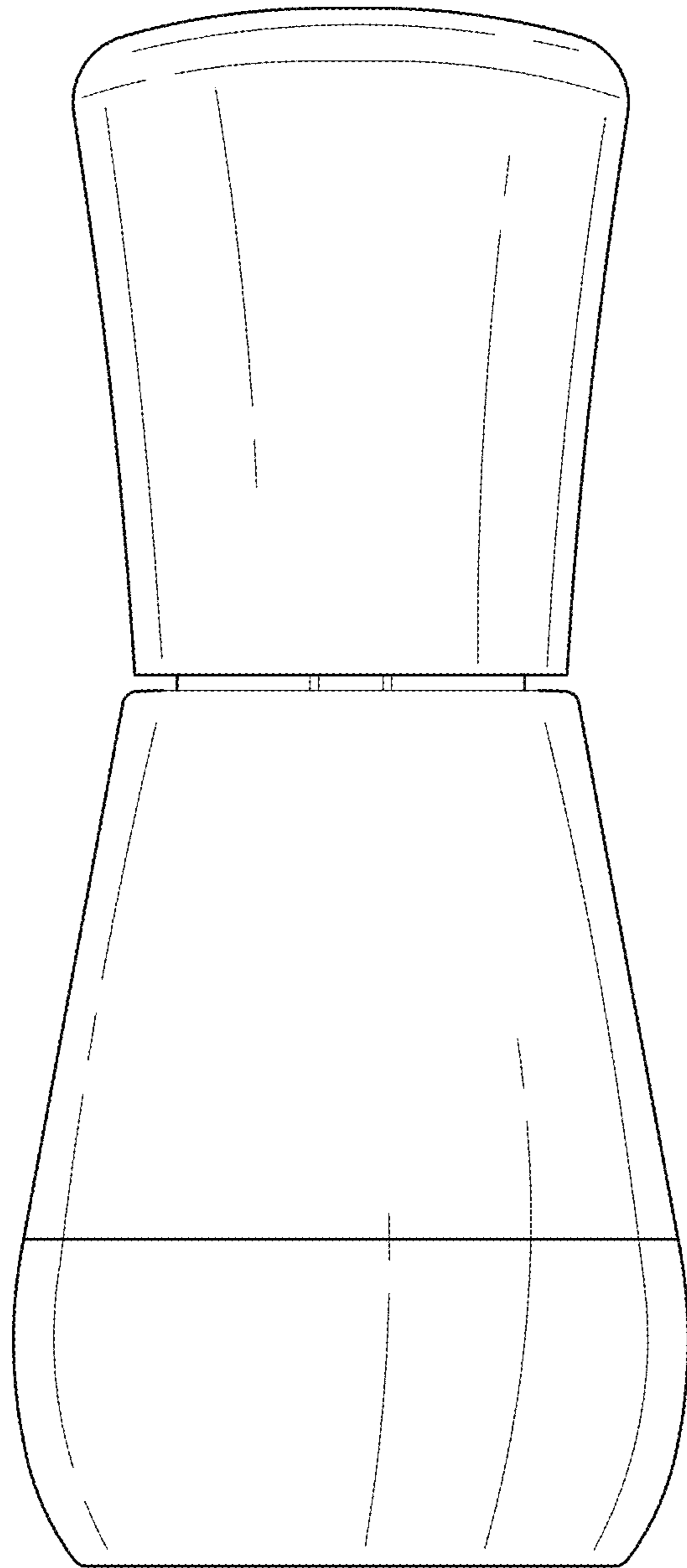


FIG. 1

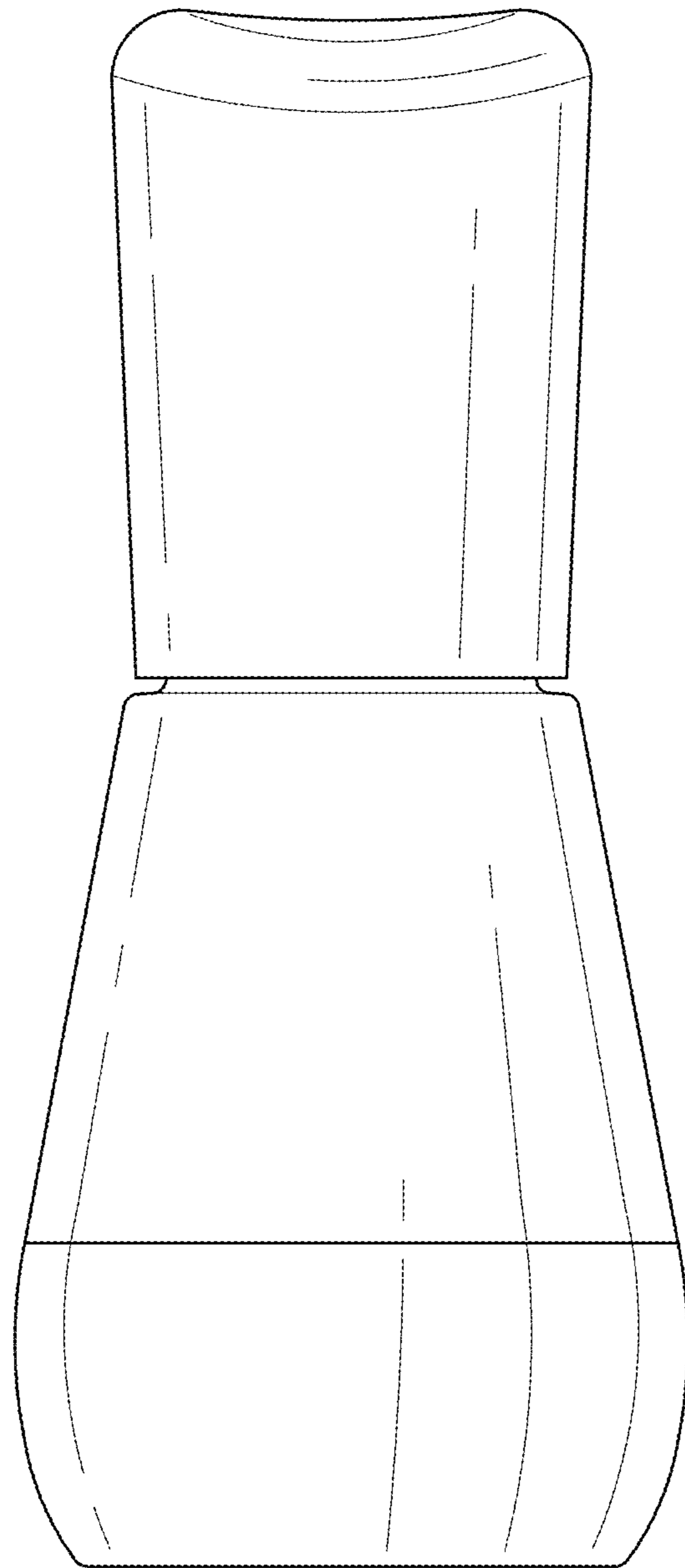


FIG. 2

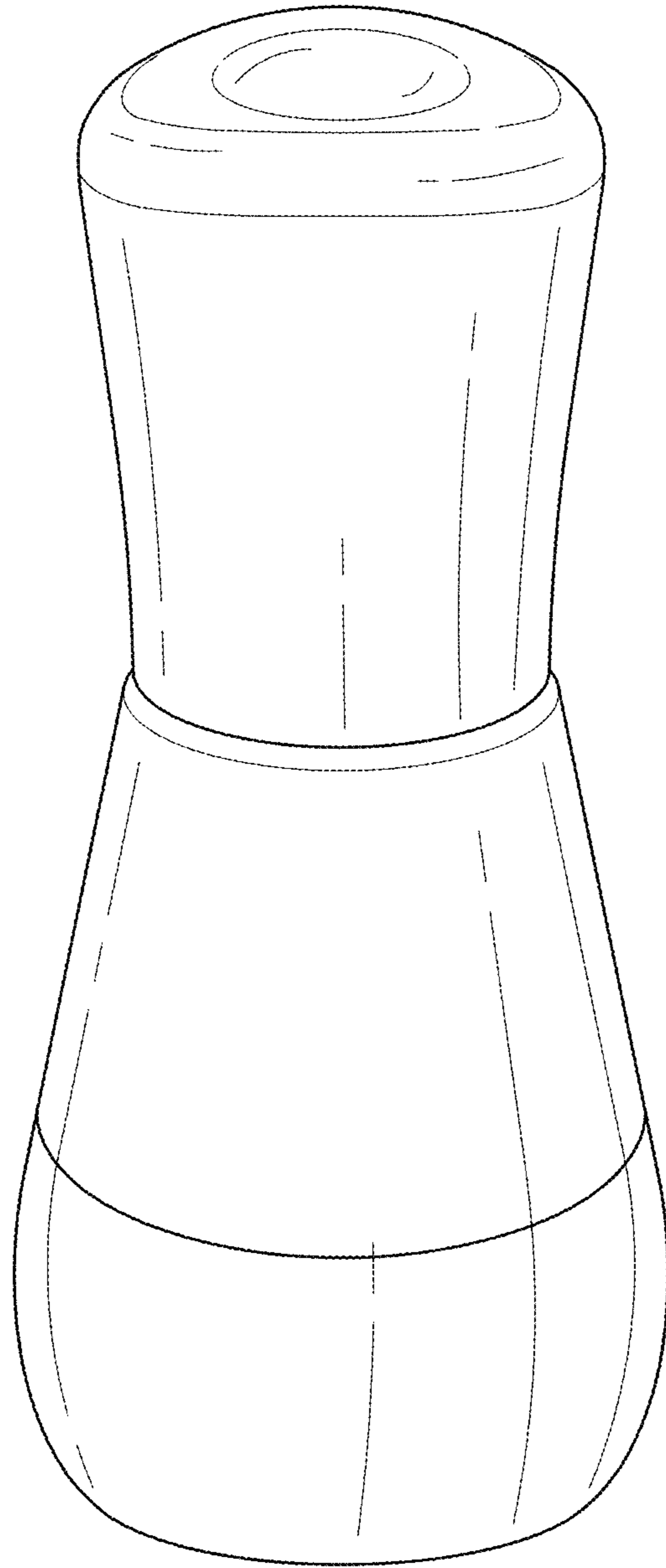


FIG. 3

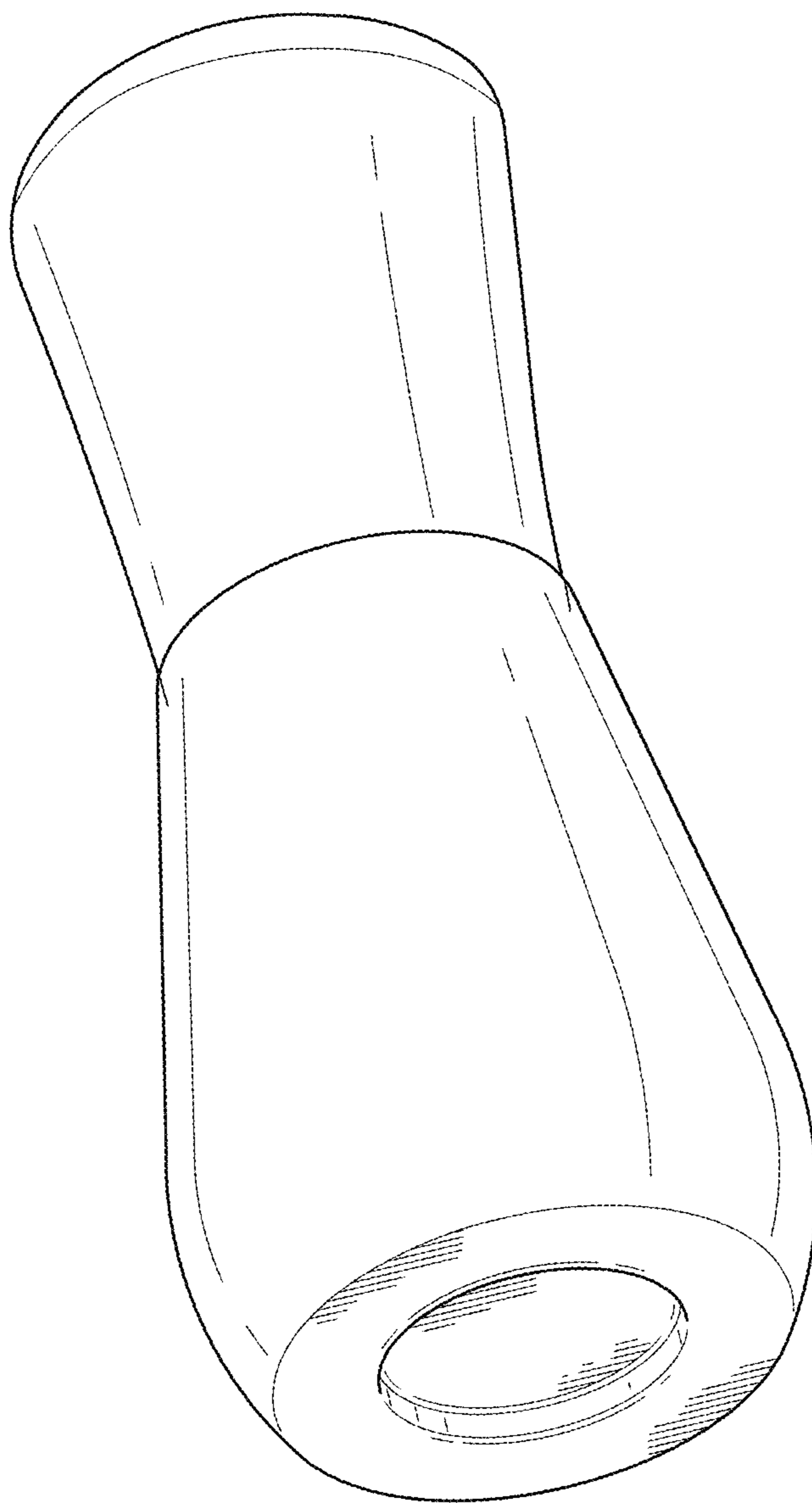


FIG. 4

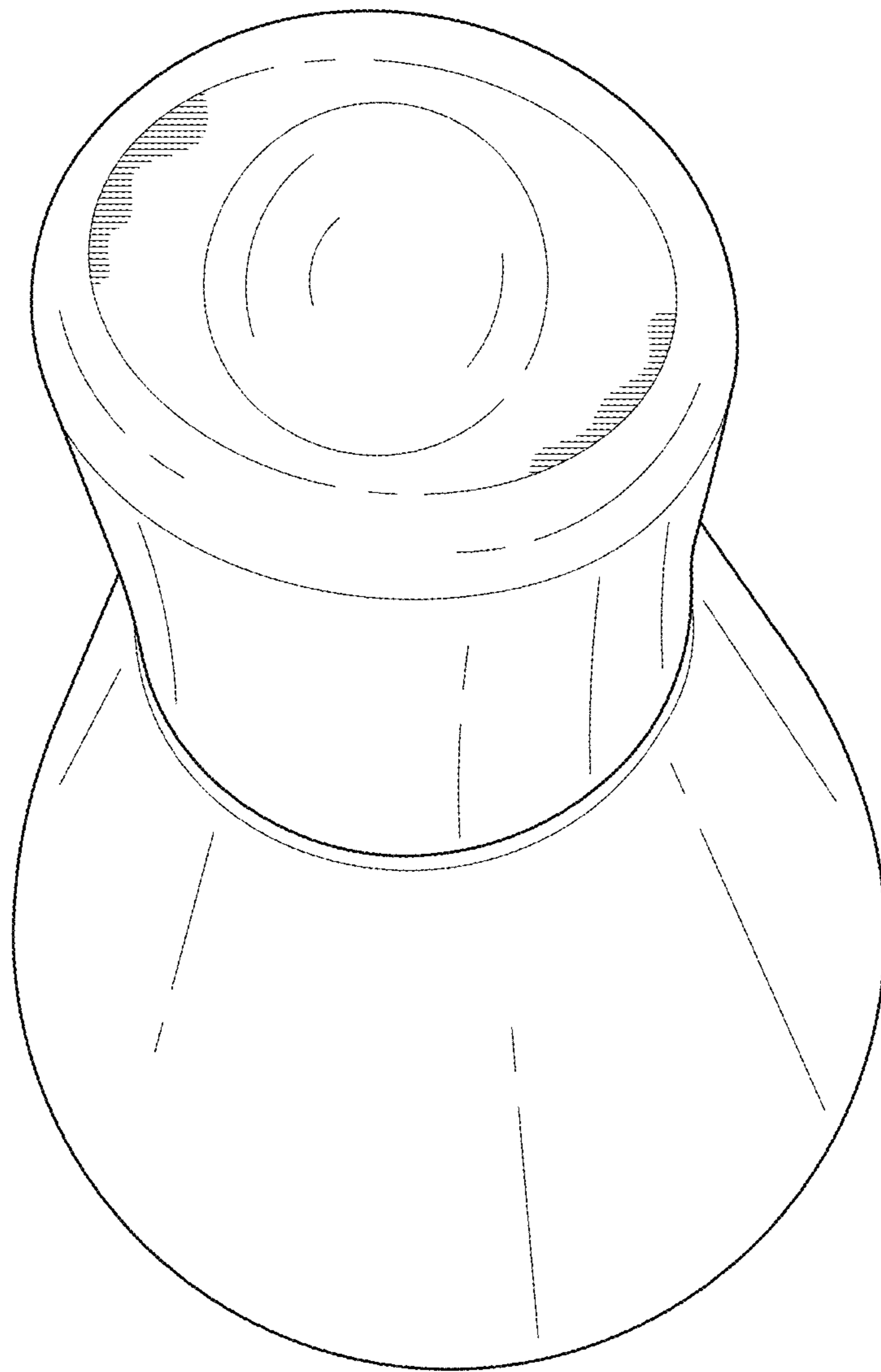


FIG. 5

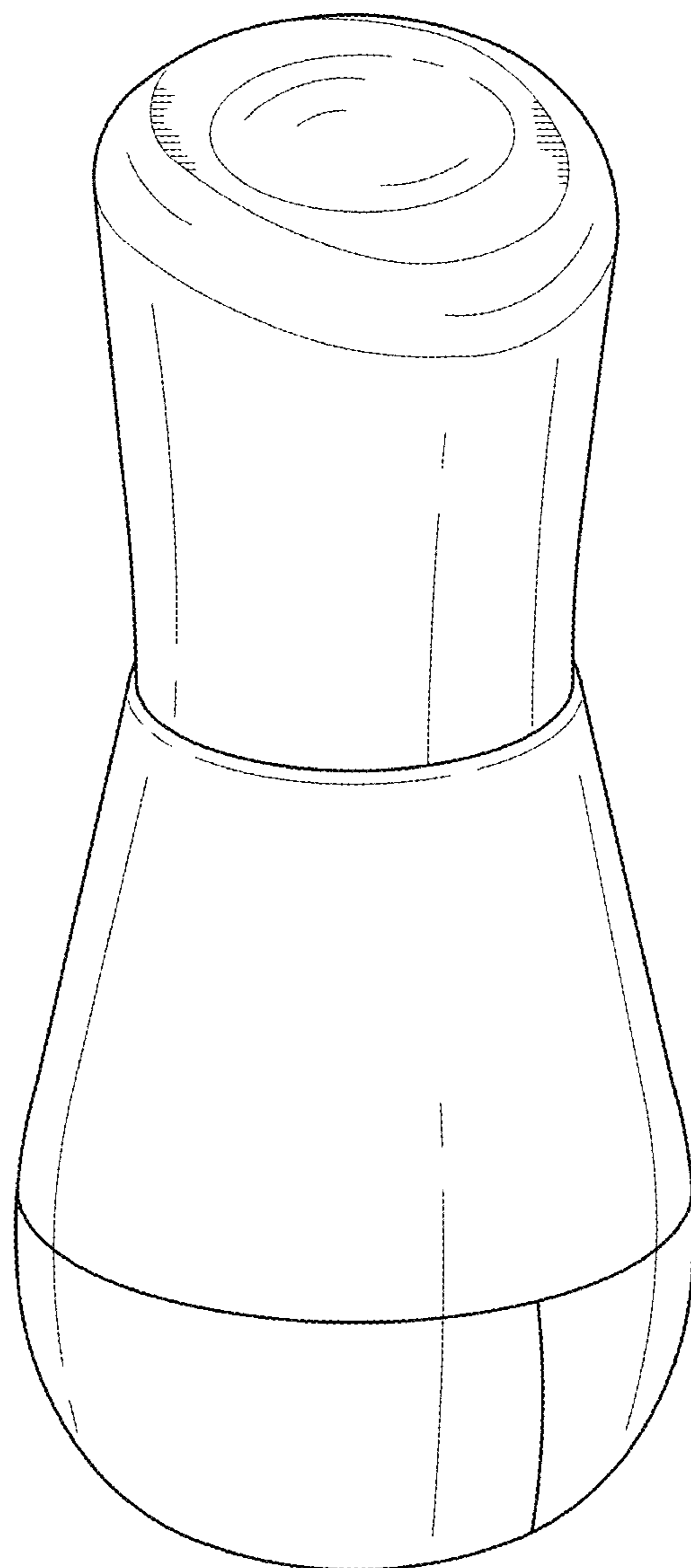


FIG. 6

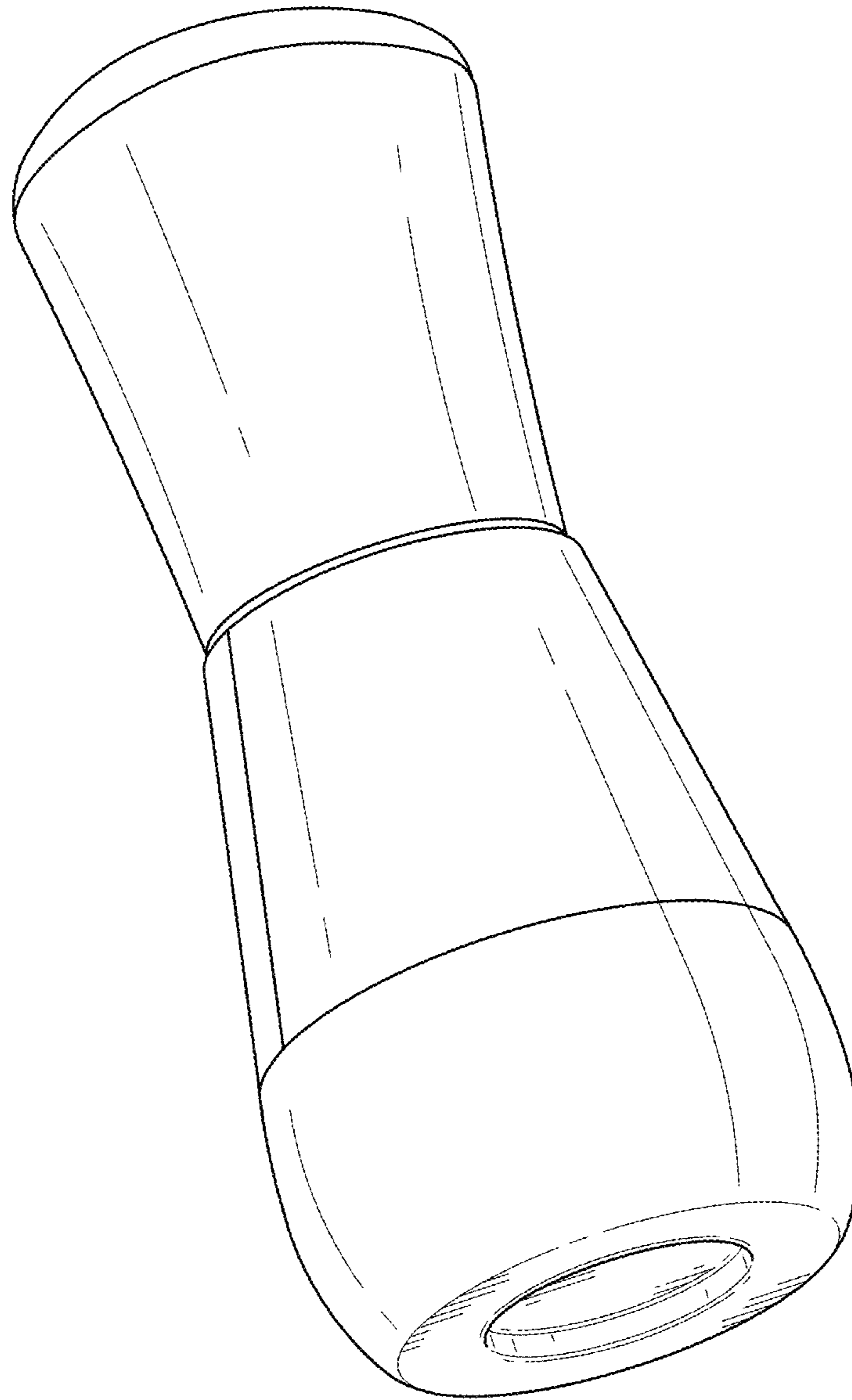


FIG. 7