

US00D721965S

(12) **United States Design Patent**  
**Lindstrom**

(10) **Patent No.:** **US D721,965 S**  
(45) **Date of Patent:** **\*\* Feb. 3, 2015**

(54) **CONTAINER**

(71) Applicant: **Erik J. Lindstrom**, Denver, CO (US)

(72) Inventor: **Erik J. Lindstrom**, Denver, CO (US)

(73) Assignee: **Schwoggle, Inc.**, Denver, CO (US)

(\*\*) Term: **14 Years**

(21) Appl. No.: **29/477,567**

(22) Filed: **Dec. 23, 2013**

D229,746 S *	1/1974	McPhee	.....	D9/504
3,787,993 A	1/1974	Lyon		
D236,433 S	8/1975	Strand		
D249,330 S	9/1978	Pigeon		
D268,483 S *	4/1983	Mineo	.....	D9/439
D284,269 S *	6/1986	Goettner	.....	D9/500
D293,954 S *	1/1988	Moore	.....	D34/39
4,759,139 A	7/1988	Ricks		
D297,308 S	8/1988	Lyons		
D353,543 S	12/1994	Matsumoto		
D382,806 S	8/1997	Wilson et al.		
5,984,141 A	11/1999	Gibler		
D433,633 S *	11/2000	La Fata	.....	D9/502
6,240,668 B1	6/2001	Clawson		
D499,649 S	12/2004	Olivares et al.		

(Continued)

**Related U.S. Application Data**

(62) Division of application No. 29/423,736, filed on Jun. 4, 2012, now Pat. No. Des. 696,118.

(51) **LOC (10) Cl.** ..... **09-01**

(52) **U.S. Cl.**

USPC ..... **D9/500**; D9/502; D9/520; D9/550

(58) **Field of Classification Search**

CPC ..... B65D 1/00; B65D 1/02; B65D 1/0223;  
B65D 1/0261; B65D 1/10; B65D 1/40;  
B65D 1/42; B65D 1/44; B65D 23/00; B65D  
23/12; B65D 23/14; B65D 2501/0009

USPC ..... D9/500, 502-505, 516, 537, 539, 549,  
D9/550, 558, 530, 540; D7/509-511, 608,  
D7/523; 215/379, 381-384; 220/660,  
220/669-673, 675; D3/203.2

See application file for complete search history.

(56) **References Cited**

**U.S. PATENT DOCUMENTS**

D155,040 S	8/1949	Serra		
D188,134 S	6/1960	Neubauer		
D191,685 S *	10/1961	Price et al.	.....	D9/502
D195,103 S	4/1963	Houghton		
D212,322 S *	10/1968	Koenigsberg	.....	D9/667
D214,305 S	6/1969	Hills		

**OTHER PUBLICATIONS**

U.S. Appl. No. 61/655,447 to E. J. Lindstrom.

(Continued)

*Primary Examiner* — Ian Simmons

*Assistant Examiner* — Dana L Meyrow

(74) *Attorney, Agent, or Firm* — Frijouf, Rust & Pyle, P.A.

(57) **CLAIM**

I claim the ornamental design for a container, as shown and described.

**DESCRIPTION**

FIG. 1 is a top perspective view of a container showing my new design;

FIG. 2 is a bottom perspective view thereof;

FIG. 3 is a front elevation view thereof;

FIG. 4 is a rear elevation view thereof;

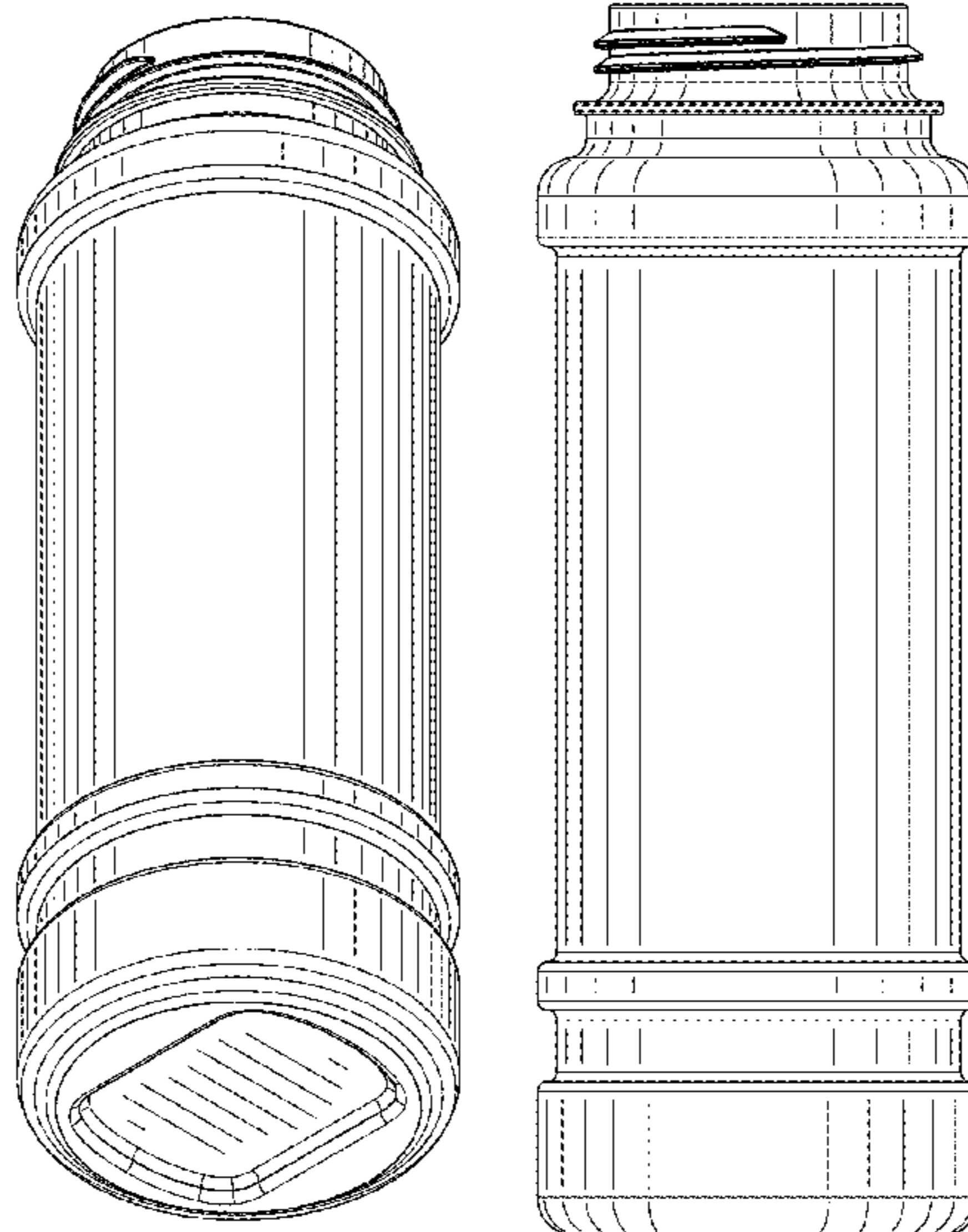
FIG. 5 is a top plan view thereof;

FIG. 6 is a bottom plan view thereof;

FIG. 7 is a right side elevation view thereof; and,

FIG. 8 is a left side elevation view thereof.

**1 Claim, 4 Drawing Sheets**



(56)

**References Cited**

U.S. PATENT DOCUMENTS

D539,608 S 4/2007 Lapsker  
 D580,267 S \* 11/2008 DeMarco ..... D9/503  
 7,562,782 B2 7/2009 Yorita  
 D598,286 S 8/2009 DeMarco  
 D603,707 S 11/2009 Lourenco et al.  
 D619,471 S 7/2010 Graunstadt et al.  
 7,854,104 B2 12/2010 Cronin et al.  
 D675,931 S \* 2/2013 Kim et al. .... D9/643  
 D675,933 S \* 2/2013 Kim et al. .... D9/643  
 D680,876 S \* 4/2013 Kim et al. .... D9/643  
 D696,118 S \* 12/2013 Lindstrom ..... D9/500  
 2004/0182047 A1 \* 9/2004 Thierjung et al. .... 53/421

2004/0205989 A1 10/2004 Michaels  
 2004/0217139 A1 11/2004 Roth et al.  
 2006/0118435 A1 6/2006 Cronin et al.  
 2006/0118507 A1 6/2006 Feldman  
 2007/0039959 A1 2/2007 Choi et al.  
 2007/0235477 A1 \* 10/2007 Penny et al. .... 222/566  
 2007/0251910 A1 11/2007 Mastin  
 2008/0000992 A1 1/2008 Mediare  
 2008/0116086 A1 5/2008 Hung  
 2010/0213085 A1 8/2010 Belnap

OTHER PUBLICATIONS

U.S. Appl. No. 13/908,414 to E. J. Lindstrom.  
 U.S. Appl. No. 29/423,737 to E. J. Lindstrom.

\* cited by examiner

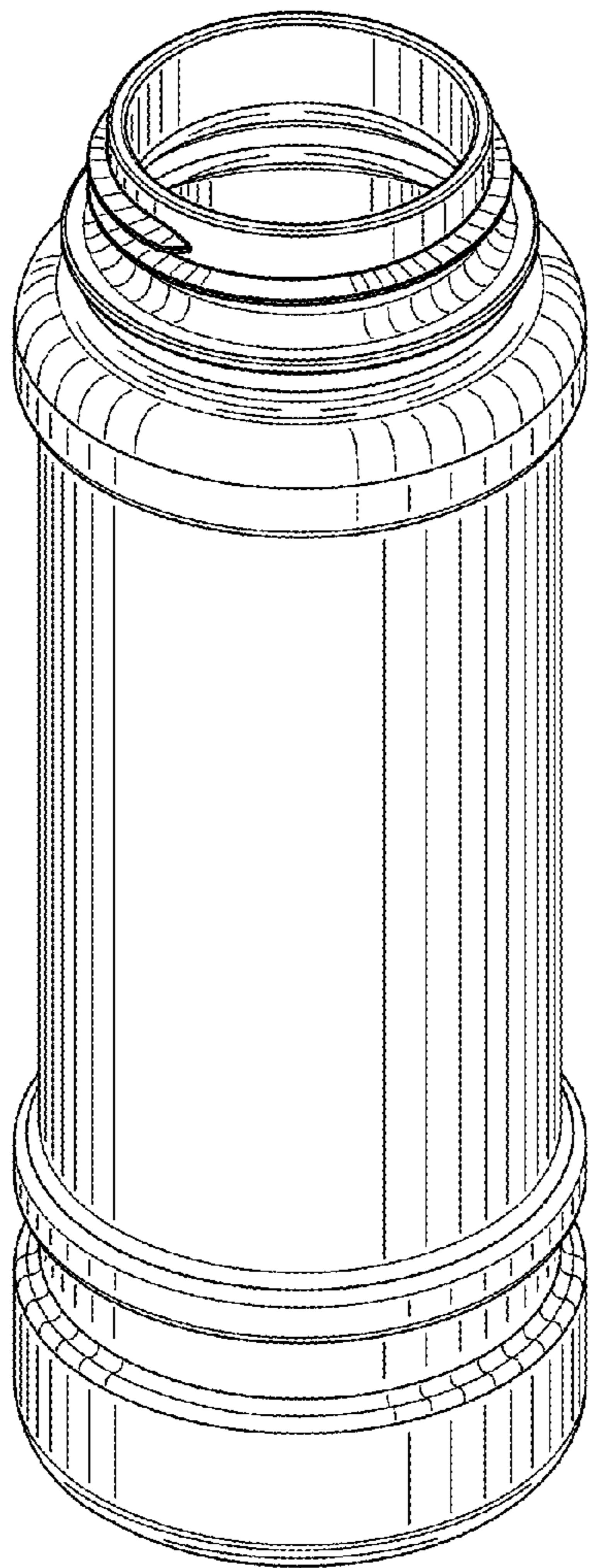


FIG. 1

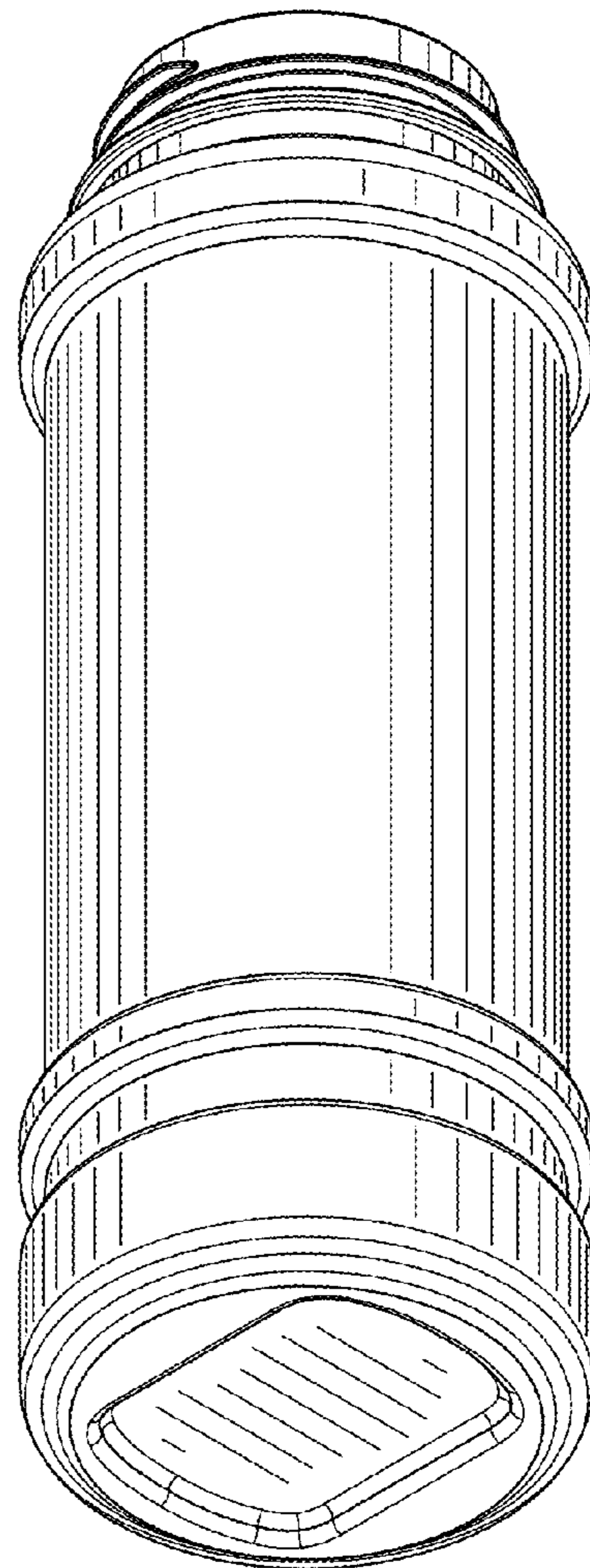


FIG. 2

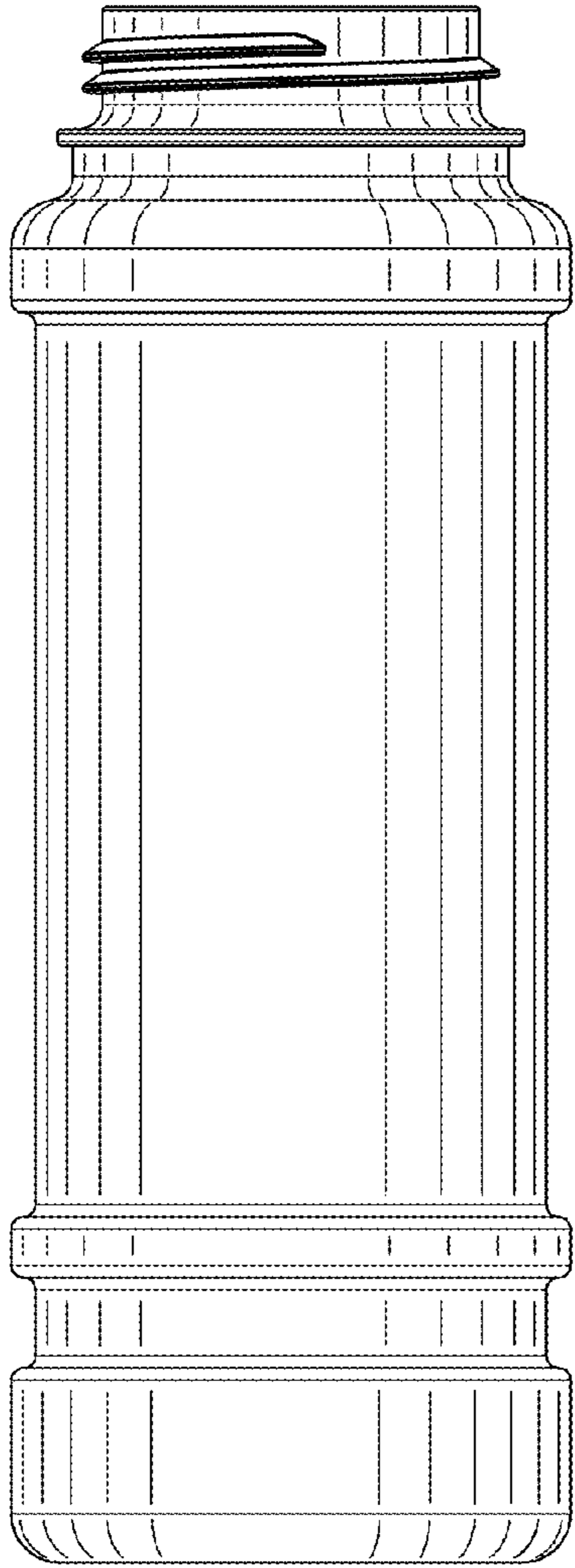


FIG. 3

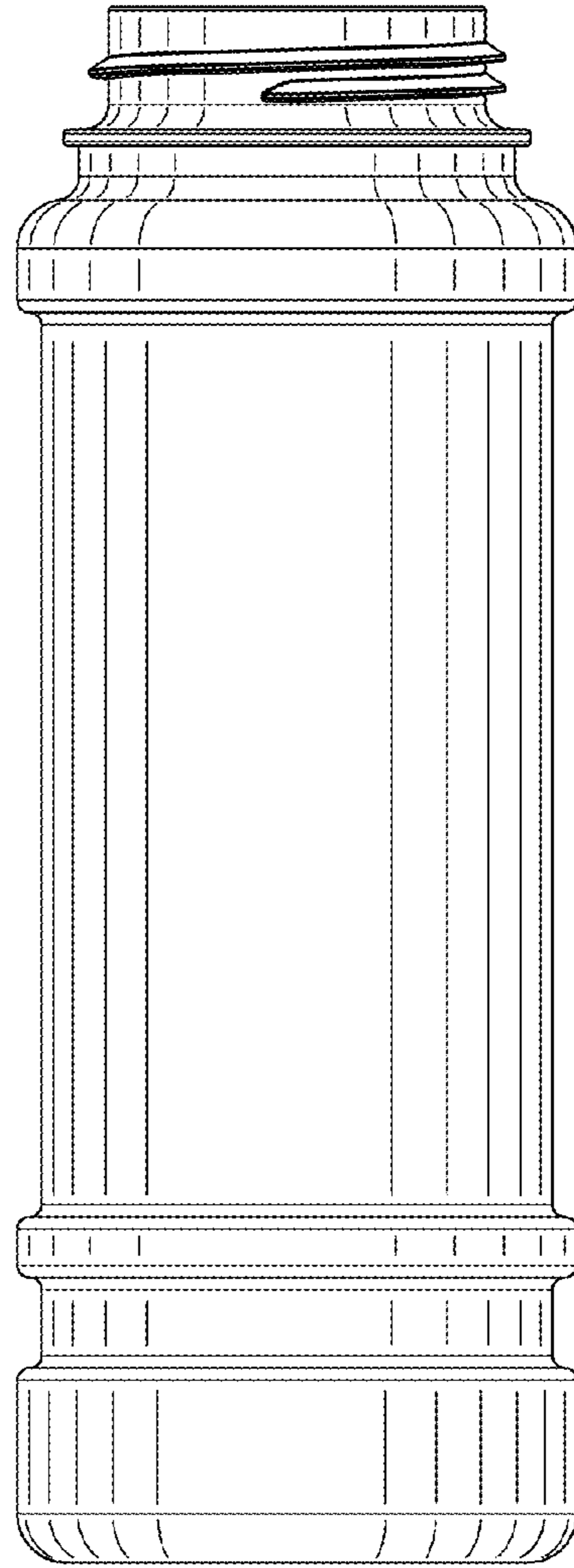


FIG. 4

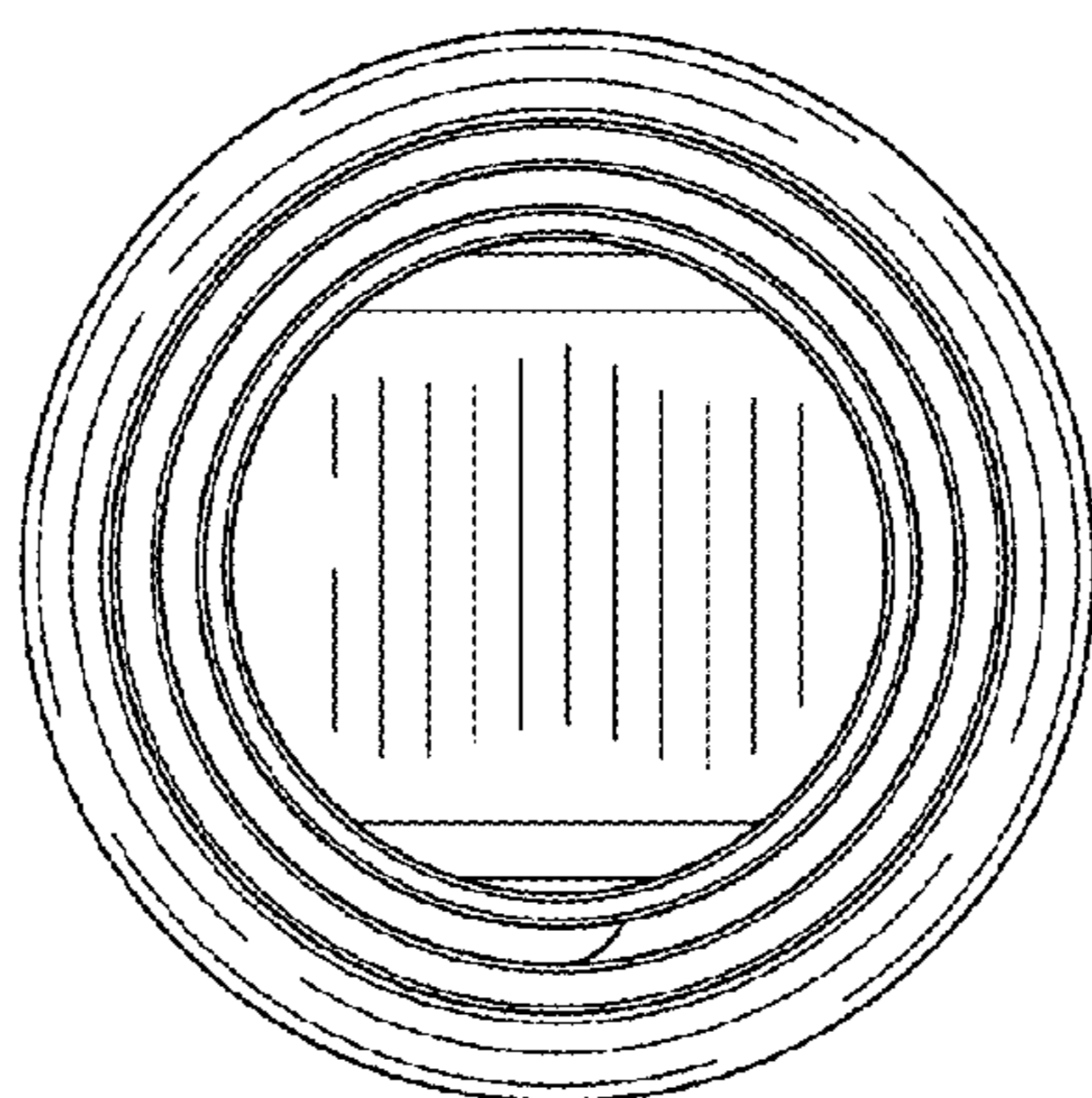


FIG. 5

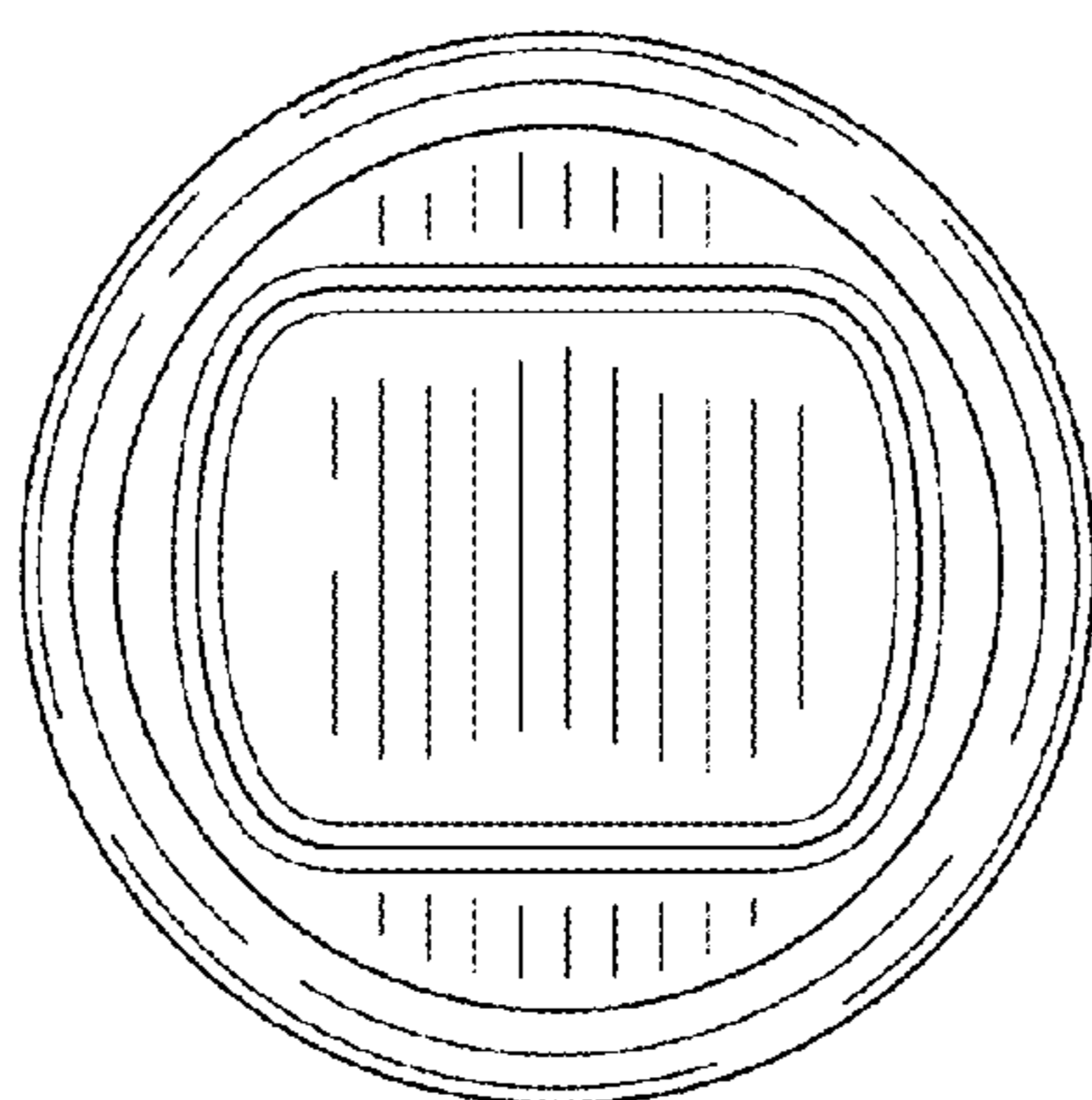


FIG. 6

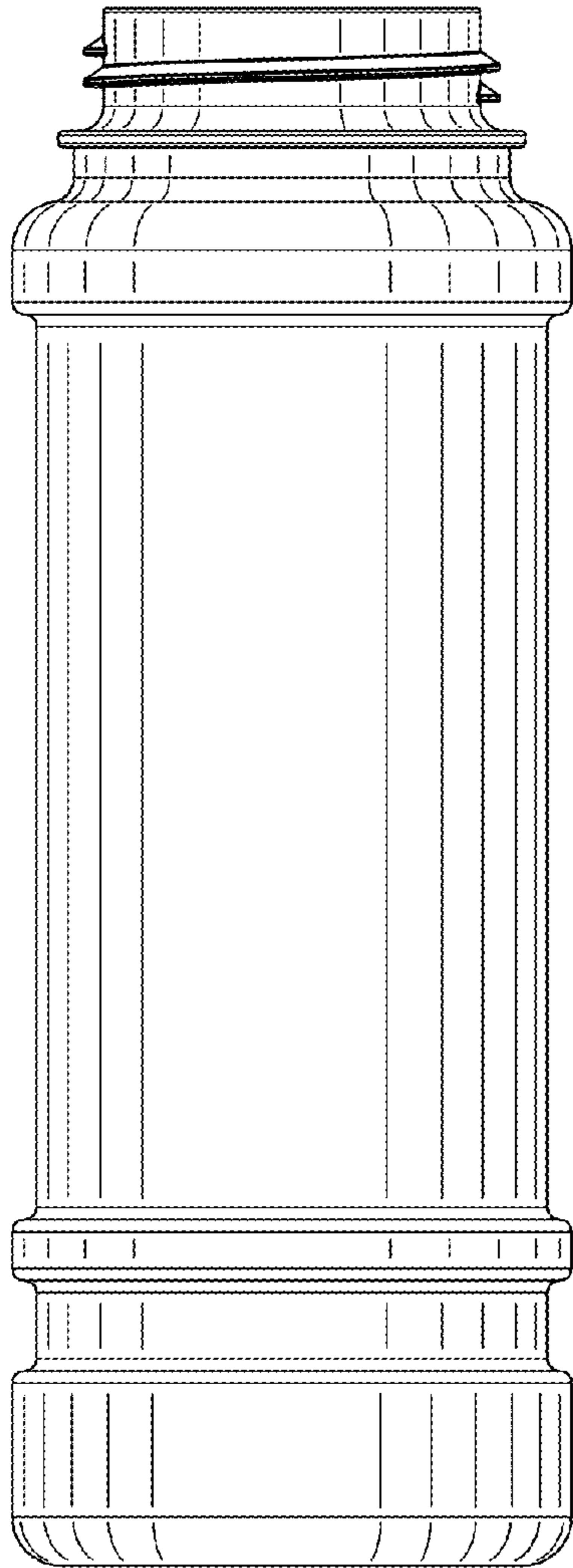


FIG. 7

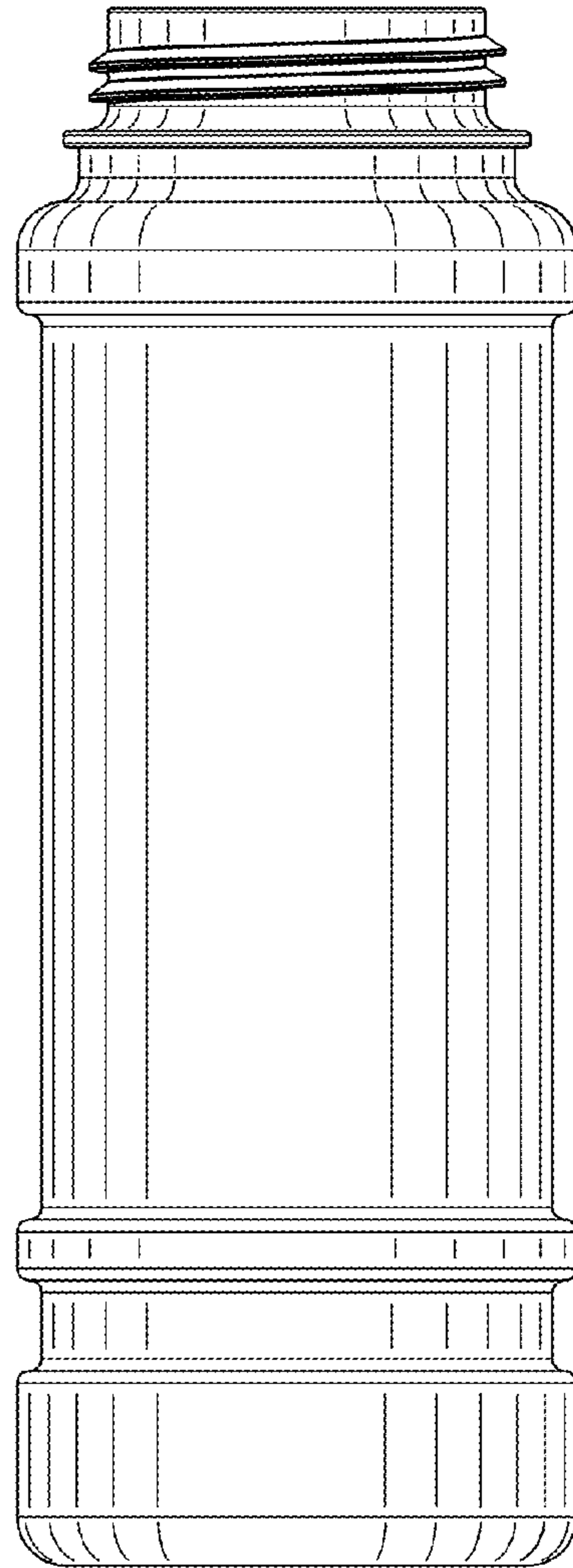


FIG. 8