



US00D721959S

(12) **United States Design Patent**  
**Yamada et al.**

(10) **Patent No.:** **US D721,959 S**  
(45) **Date of Patent:** **\*\* Feb. 3, 2015**

(54) **NOZZLE FOR PACKAGING CONTAINER**

2,602,698 A \* 7/1952 Wyckoff ..... 239/312  
D171,428 S \* 2/1954 Storie ..... D23/229  
D191,088 S \* 8/1961 Anderson ..... D24/112

(71) Applicant: **Santen Pharmaceutical Co., Ltd.**,  
Osaka-shi, Osaka (JP)

(Continued)

(72) Inventors: **Hiroshi Yamada**, Osaka (JP); **Tsuyoshi Kakiuchi**, Osaka (JP)

**OTHER PUBLICATIONS**

Fram Inline Gasoline Filter for 1967 Ford Mustang, www.carid.com; 3 pages. Found online Sep. 16, 2014 at http://www.carid.com/1967-ford-mustang-fuel-delivery-parts/farm-fuel-filter-18701297.html.\*

(73) Assignee: **Santen Pharmaceutical Co., Ltd.**,  
Osaka-shi, Osaka (JP)

(Continued)

(\*\*) Term: **14 Years**

*Primary Examiner* — Robert M Spear

(21) Appl. No.: **29/467,266**

(74) *Attorney, Agent, or Firm* — Squire Patton Boggs (US) LLP

(22) Filed: **Sep. 17, 2013**

(57) **CLAIM**

The ornamental design for a nozzle for packaging container, as shown and described.

(30) **Foreign Application Priority Data**

**DESCRIPTION**

Mar. 22, 2013 (JP) ..... 2013-006320

(51) **LOC (10) Cl.** ..... **09-07**

(52) **U.S. Cl.**  
USPC ..... **D9/440**

(58) **Field of Classification Search**  
CPC ..... B65D 25/40; B65D 25/42; B65D 25/48  
USPC ..... D9/417, 434, 440, 447, 448, 449, 499;  
D8/2; D7/398; D23/213, 223, 224,  
D23/255, 259; 222/321.6, 378, 566;  
239/222.11, 290, 291, 318, 482, 584,  
239/DIG. 22

See application file for complete search history.

FIG. 1 is a front view of a nozzle for packaging container showing our new design;  
FIG. 2 is a left side view thereof;  
FIG. 3 is a top plan view thereof;  
FIG. 4 is a bottom view thereof;  
FIG. 5 is a sectional view thereof taken on line 5-5 of FIG. 1;  
FIG. 6 is an enlarged view thereof;  
FIG. 7 is a perspective view thereof;  
FIG. 8 is an enlarged view thereof; and,  
FIG. 9 is a reference sectional view thereof showing a condition in use.

(56) **References Cited**

**U.S. PATENT DOCUMENTS**

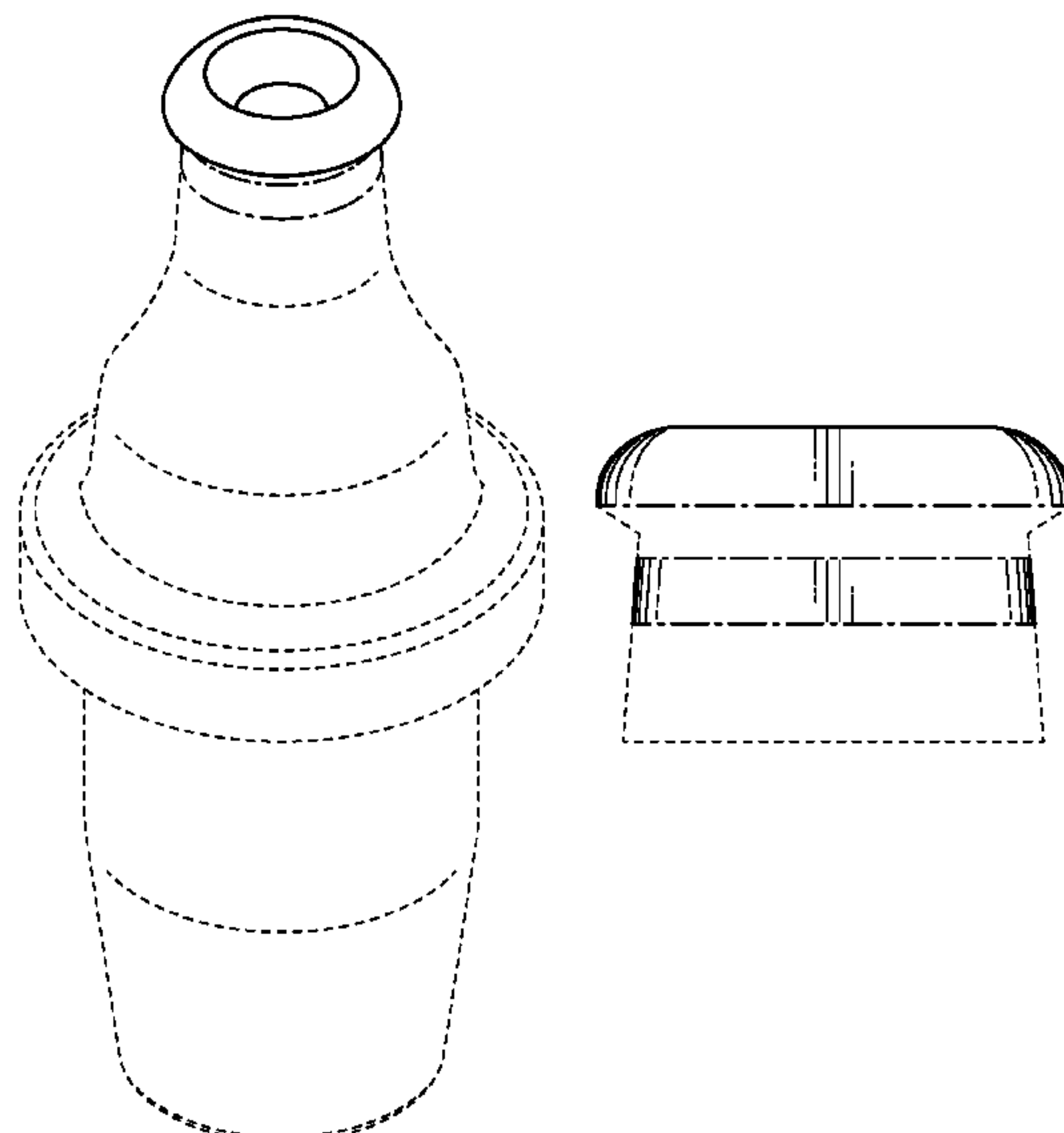
D26,539 S \* 1/1897 Schram ..... D9/447  
D41,840 S \* 10/1911 Cornish ..... D7/398  
D54,199 S \* 11/1919 Cornish ..... D7/398  
D55,940 S \* 8/1920 Cornish ..... D7/398  
D106,697 S \* 10/1937 Slater ..... D23/229  
D143,947 S \* 2/1946 Baker ..... D15/5

The broken line showings of FIGS. 1-9 are environmental only and not part of the claimed design.

The dashed-dotted line showings of FIGS. 1, 2, 5-9 illustrate a boundary between the claimed design and environmental features and form no part of the claimed design.

A rear view and a right side view are omitted because the rear view is identical to the front view and the right side view is identical to the left side view.

**1 Claim, 9 Drawing Sheets**



(56)

**References Cited**

U.S. PATENT DOCUMENTS

3,107,035 A \* 10/1963 Cholet ..... 222/213  
D220,832 S \* 6/1971 Lapidus ..... D9/447  
D356,853 S \* 3/1995 Fowler ..... D23/213  
D364,566 S \* 11/1995 Douer ..... D9/436  
5,505,337 A \* 4/1996 Littman et al. .... 222/92  
D371,427 S \* 7/1996 Harris et al. .... D23/227  
D390,462 S \* 2/1998 Mao ..... D9/435  
D401,071 S \* 11/1998 Laster ..... D4/115

D414,788 S \* 10/1999 Shintani et al. .... D15/144  
D424,165 S \* 5/2000 Guo ..... D23/229  
D486,736 S \* 2/2004 Kokubo ..... D9/449  
D535,022 S \* 1/2007 Davies ..... D24/110  
2007/0039980 A1 \* 2/2007 Kjeldsen et al. .... 222/514

OTHER PUBLICATIONS

U.S. Appl. No. 29/467,264, filed Sep. 17, 2013, Hiroshi Yamada et al.  
U.S. Appl. No. 29/467,267, filed Sep. 17, 2013, Hiroshi Yamada et al.

\* cited by examiner

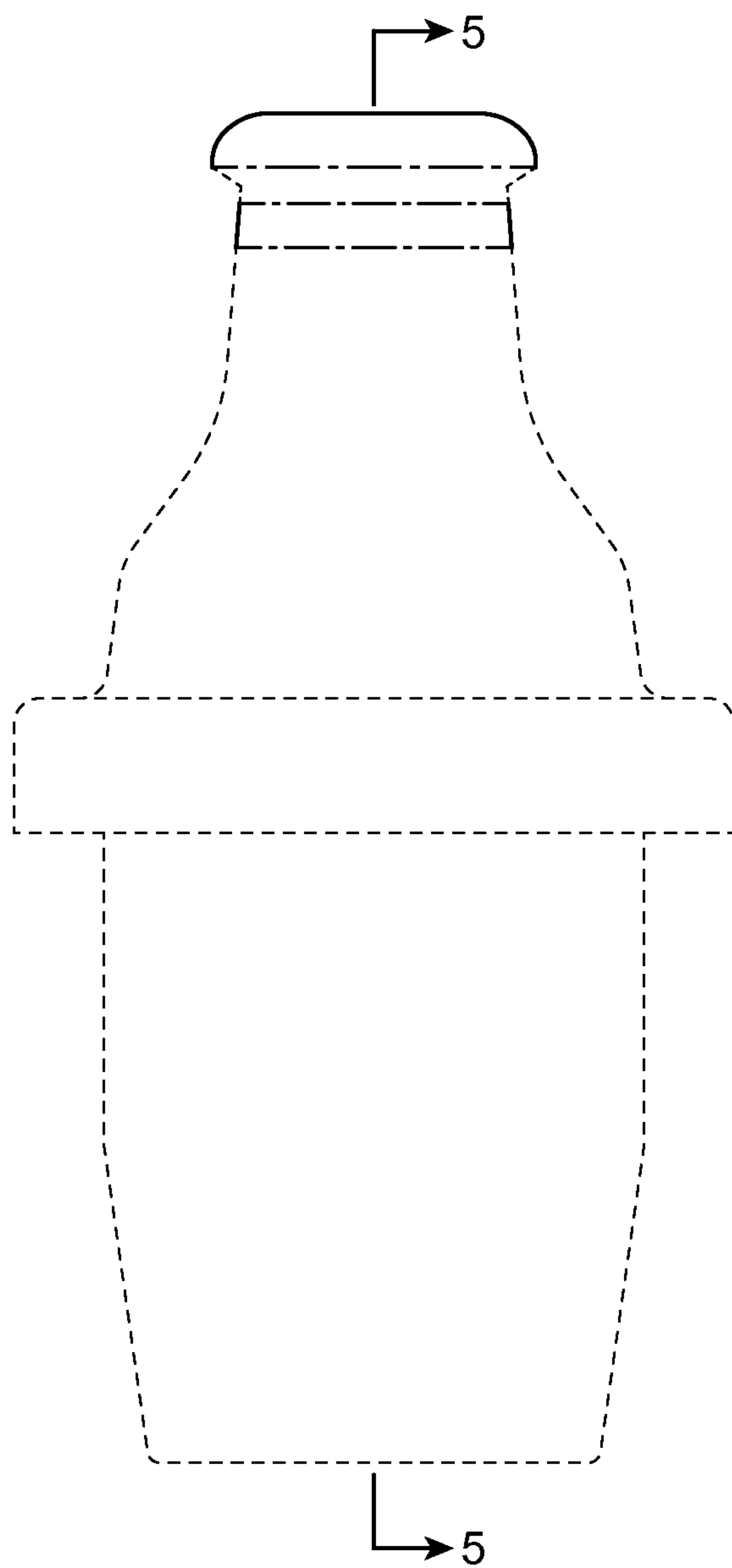


FIG. 1

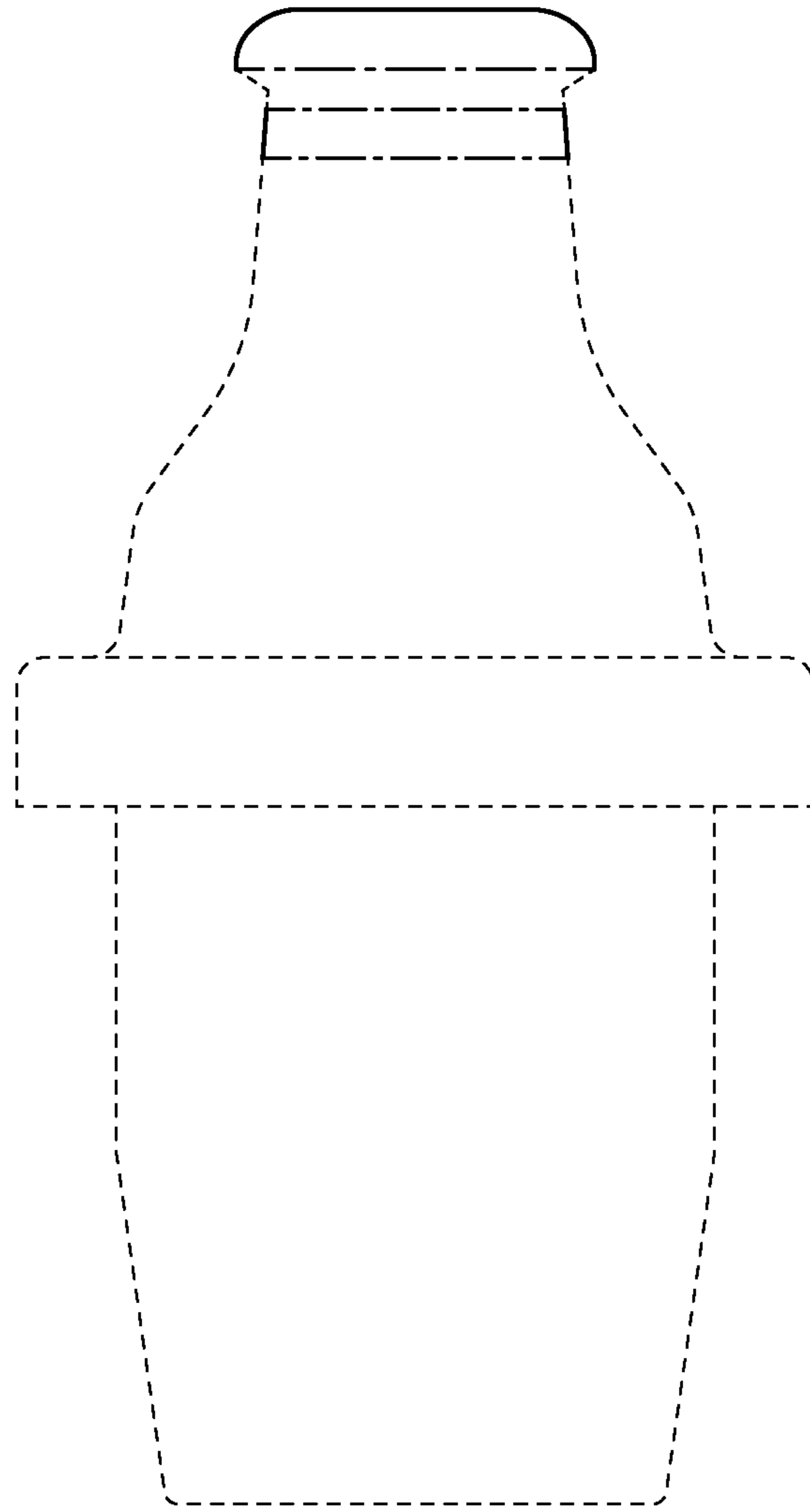


FIG. 2

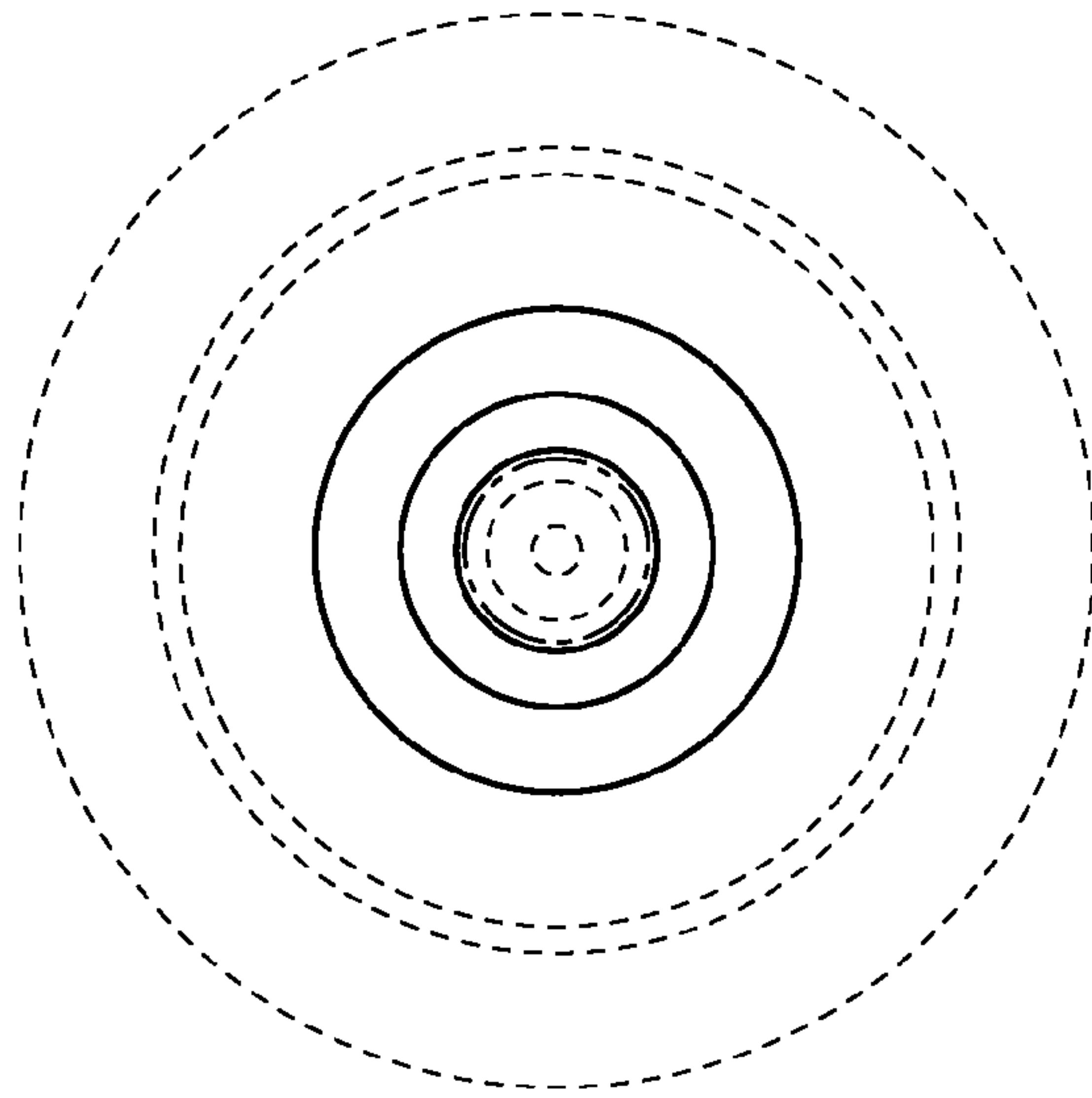


FIG. 3

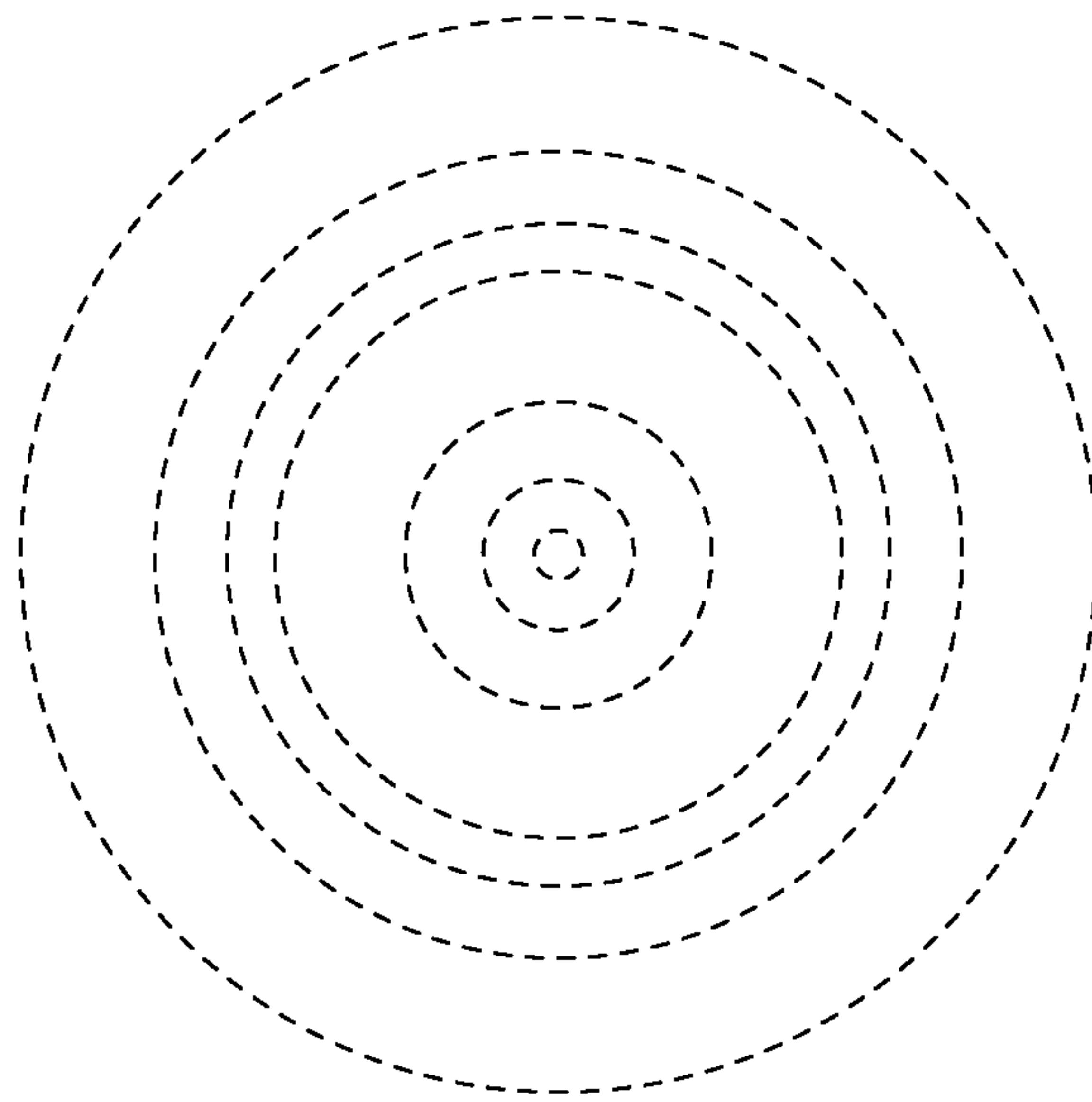


FIG. 4

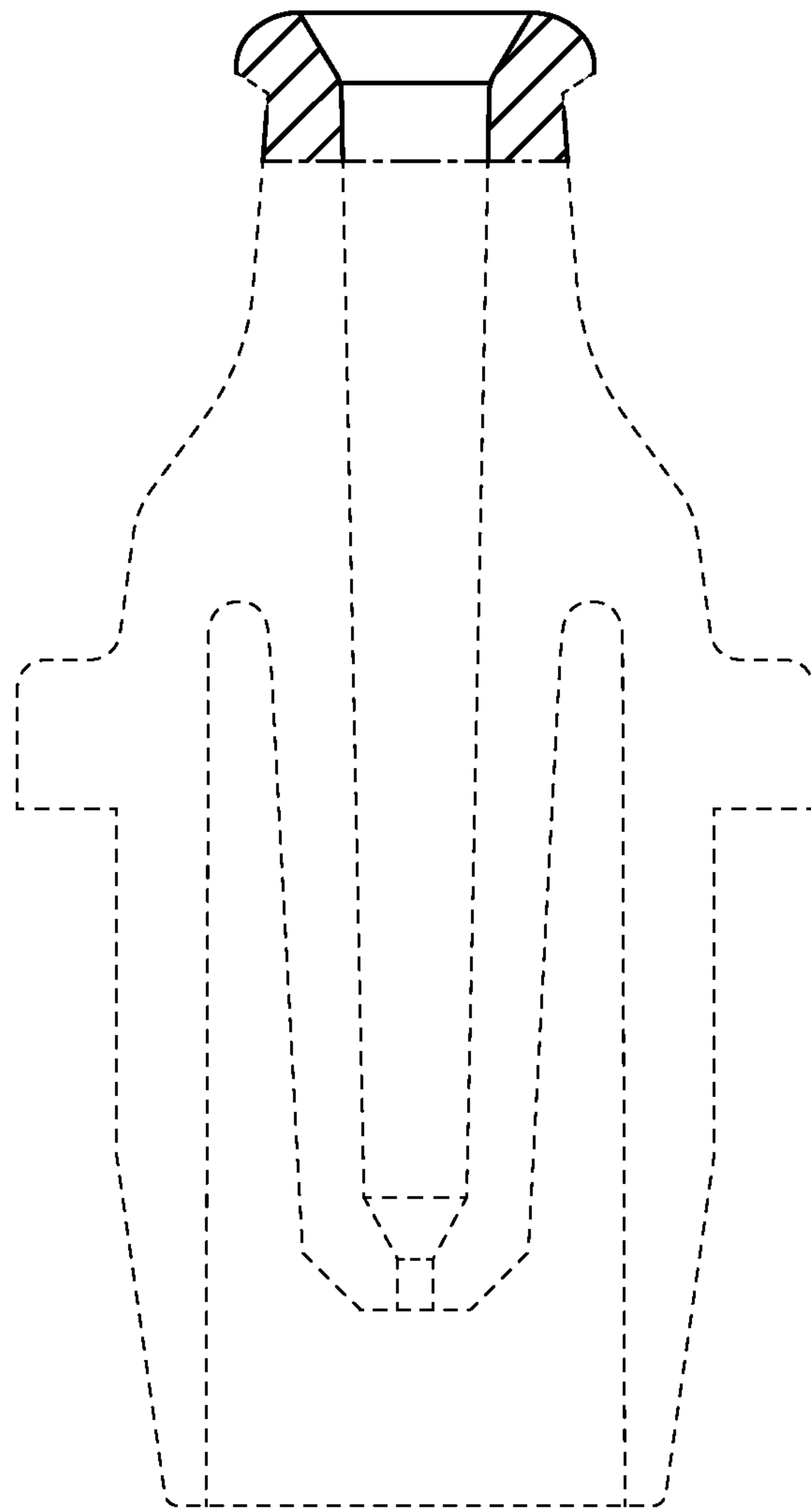


FIG. 5

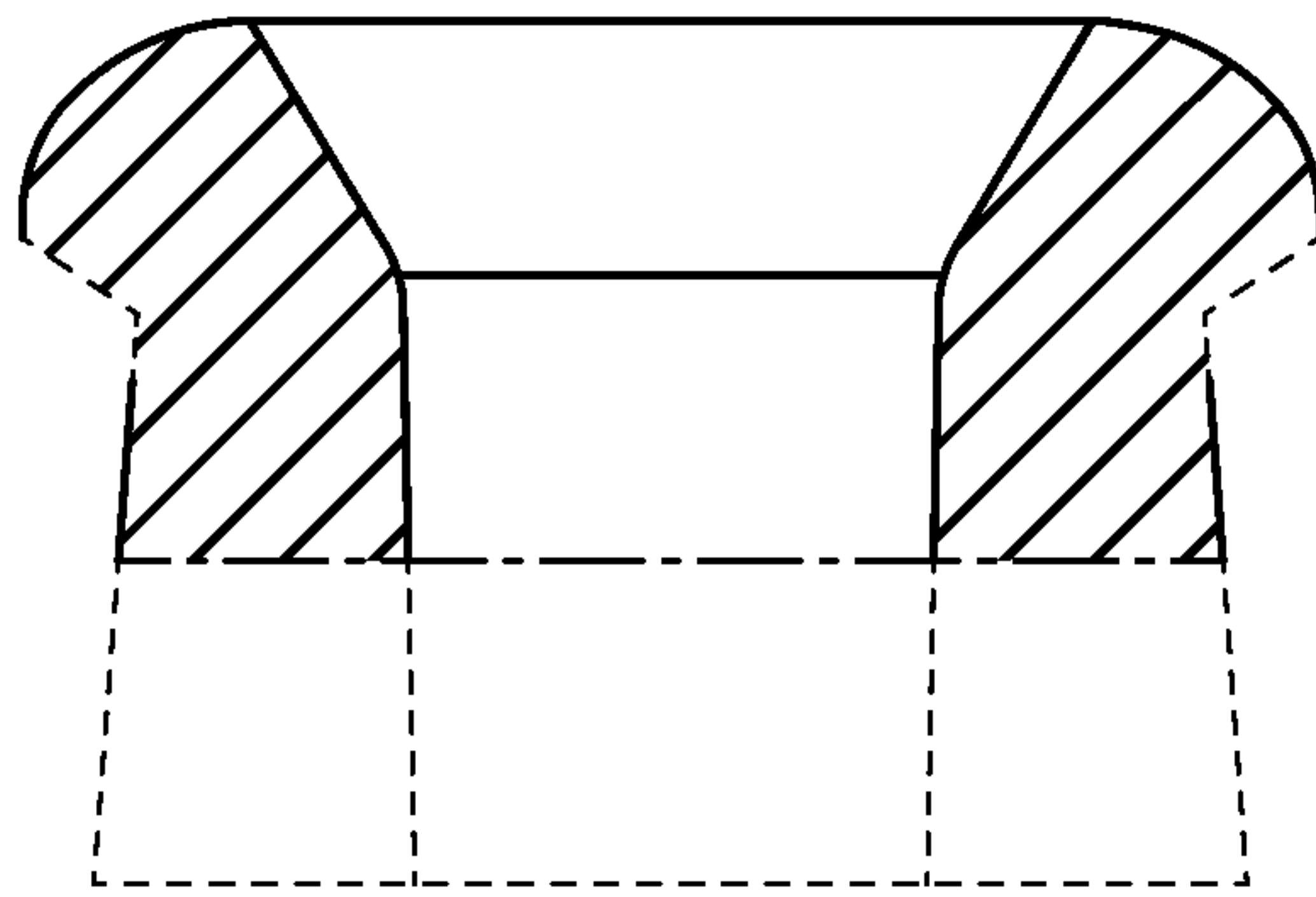


FIG. 6



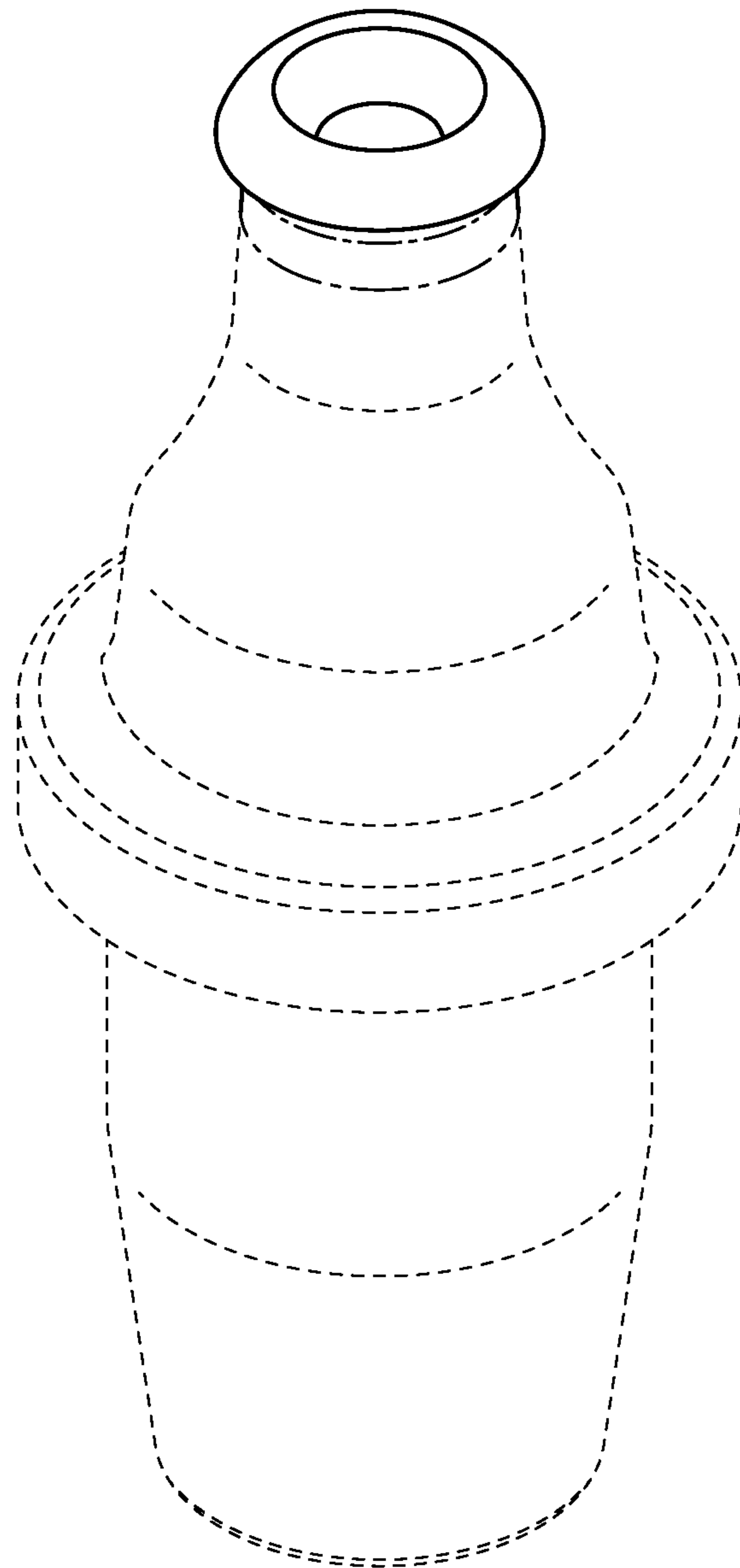


FIG. 7

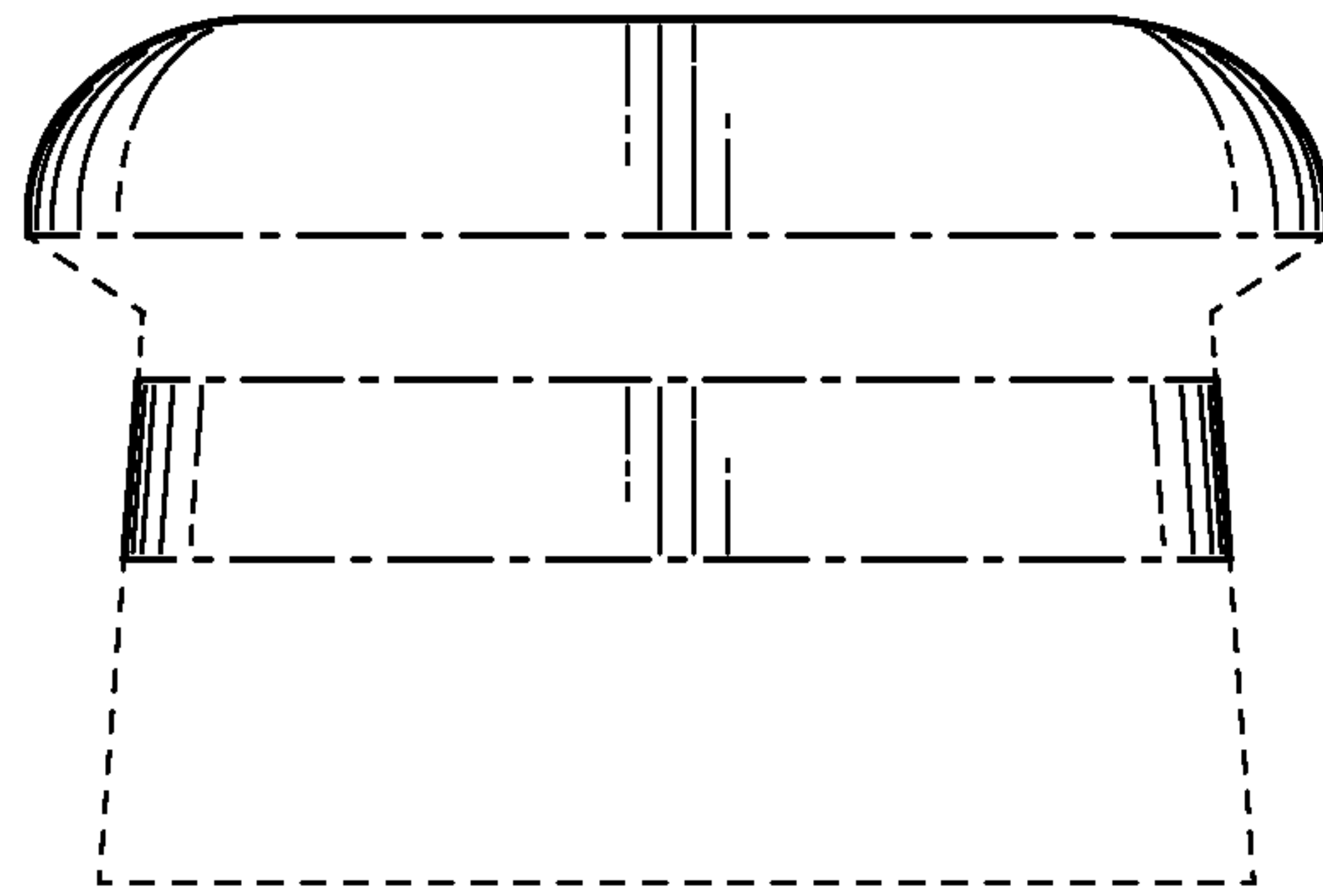


FIG. 8

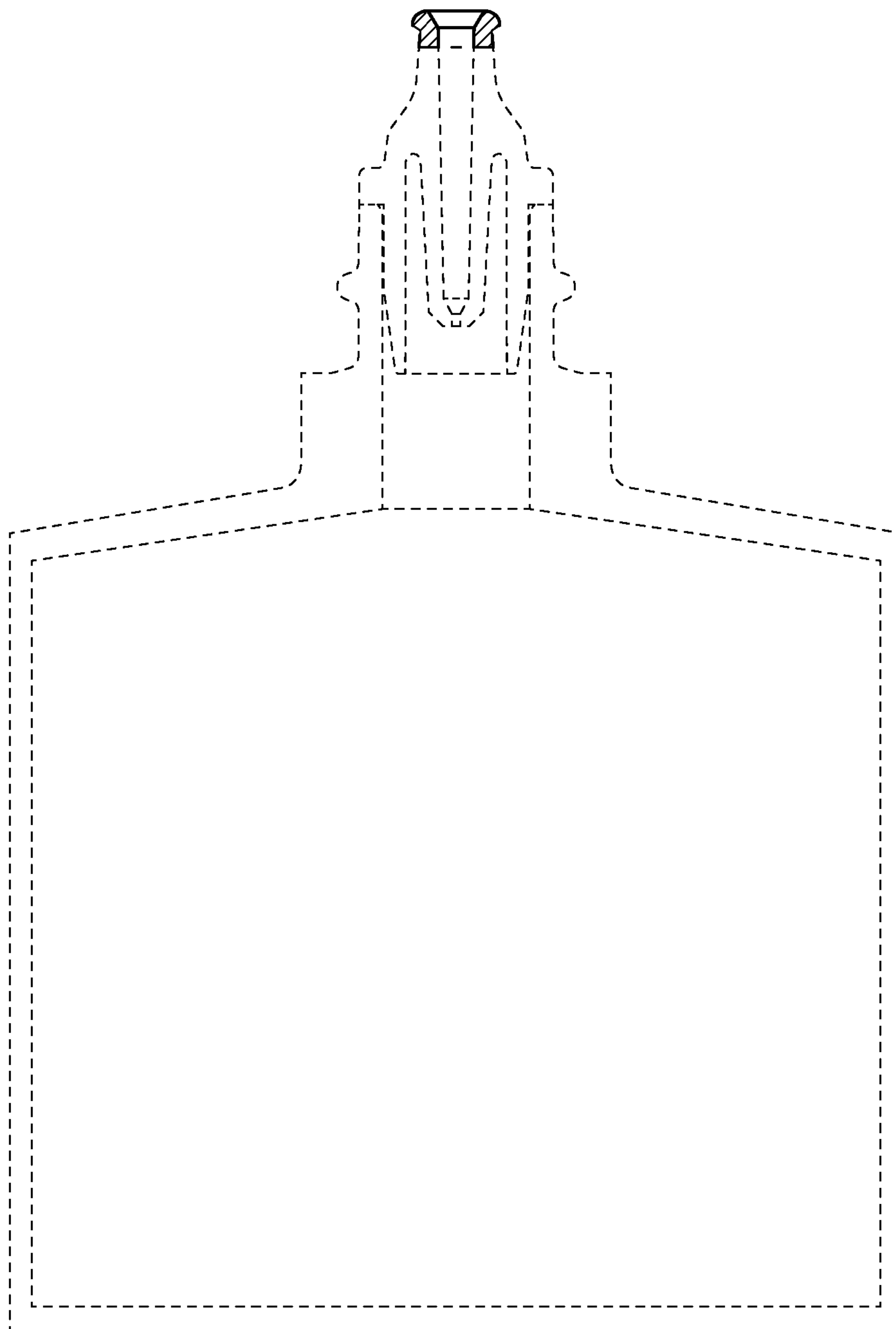


FIG. 9