



US00D721958S

(12) **United States Design Patent**
Hamway

(10) **Patent No.:** **US D721,958 S**

(45) **Date of Patent:** **** Feb. 3, 2015**

(54) **DISPENSING CAP**

(71) Applicant: **Ezra Hamway**, New York, NY (US)

(72) Inventor: **Ezra Hamway**, New York, NY (US)

(73) Assignee: **Cory Robertson**

(**) Term: **14 Years**

(21) Appl. No.: **29/459,975**

(22) Filed: **Jul. 5, 2013**

(51) **LOC (10) Cl.** **09-07**

(52) **U.S. Cl.**
USPC **D9/436**

(58) **Field of Classification Search**

USPC D7/591-602; D9/434, 435, 436, 445,
D9/447, 448, 449, 452, 453, 454, 516, 521,
D9/529, 549, 551, 723-729, 733,
D9/763-783; D24/121; 206/219, 222;
215/6, 381-385; 220/660, 669, 675,
220/716; 222/83, 212; 366/130

See application file for complete search history.

(56) **References Cited**

U.S. PATENT DOCUMENTS

RE38,067 E * 4/2003 Gueret 206/222
D490,315 S * 5/2004 Kiser D9/445
D574,706 S * 8/2008 Althoff et al. D9/448

8,167,155 B2 * 5/2012 Hsieh 215/6
D687,304 S * 8/2013 Tanner D9/521
2003/0213709 A1 * 11/2003 Gibler et al. 206/219

FOREIGN PATENT DOCUMENTS

KR 300601854.0000 * 12/2010

* cited by examiner

Primary Examiner — Susan Bennett Hattan

Assistant Examiner — Leanne Was

(74) *Attorney, Agent, or Firm* — Ezra Sutton

(57) **CLAIM**

The ornamental designs for a dispensing cap, as shown and described.

DESCRIPTION

FIG. 1 is a bottom perspective view of a dispensing cap embodying our new design;

FIG. 2 is a top perspective view thereof;

FIG. 3 is a front view thereof;

FIG. 4 is a rear view thereof;

FIG. 5 is a right side view thereof;

FIG. 6 is a left side view thereof;

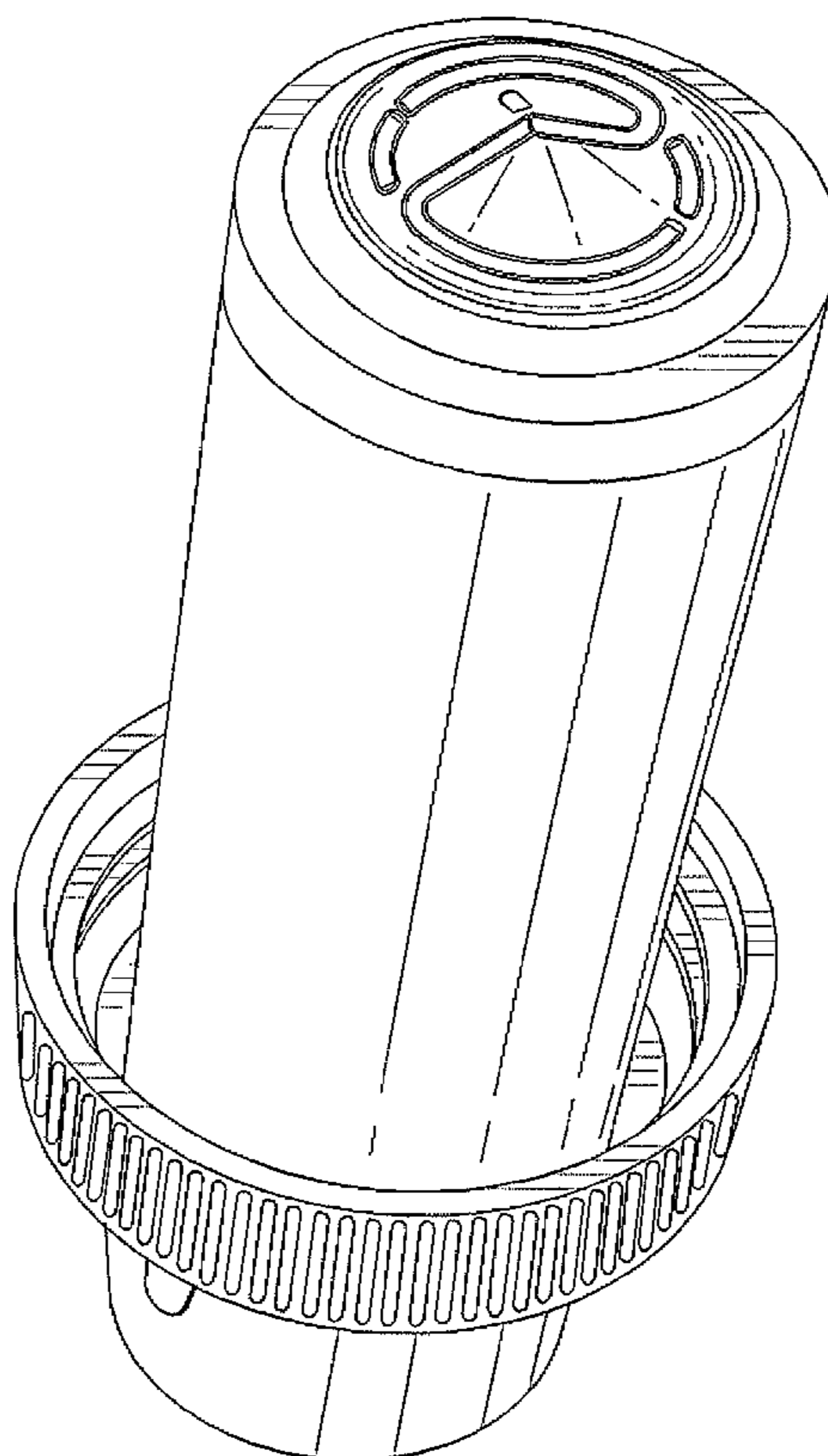
FIG. 7 is a top view thereof;

FIG. 8 is a bottom, view thereof; and,

FIG. 9 is a top perspective view thereof, shown placed on a bottle.

The broken lines in the drawing depict environmental subject matter only and form no part of the claimed design.

1 Claim, 8 Drawing Sheets



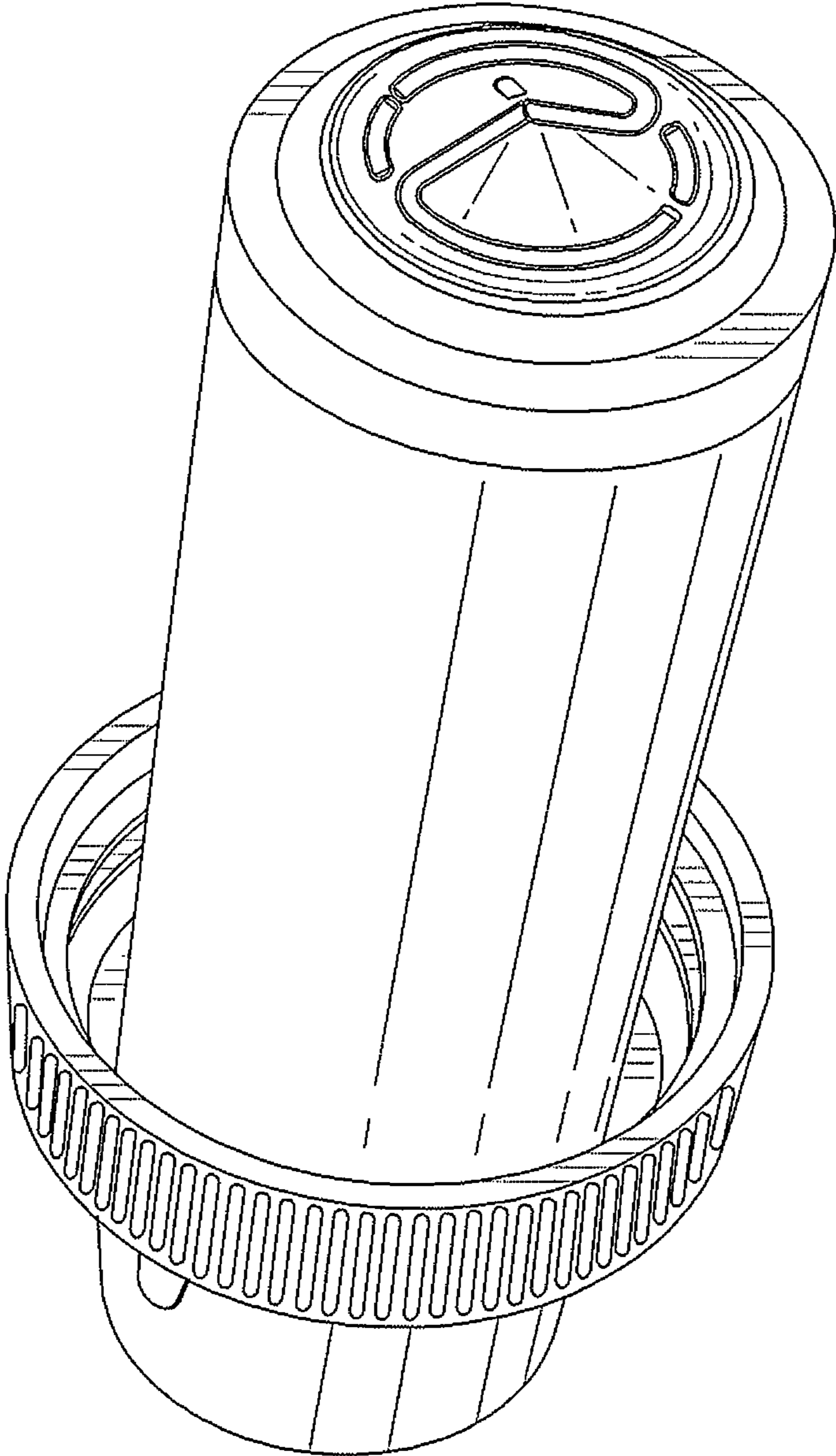


FIG. 1

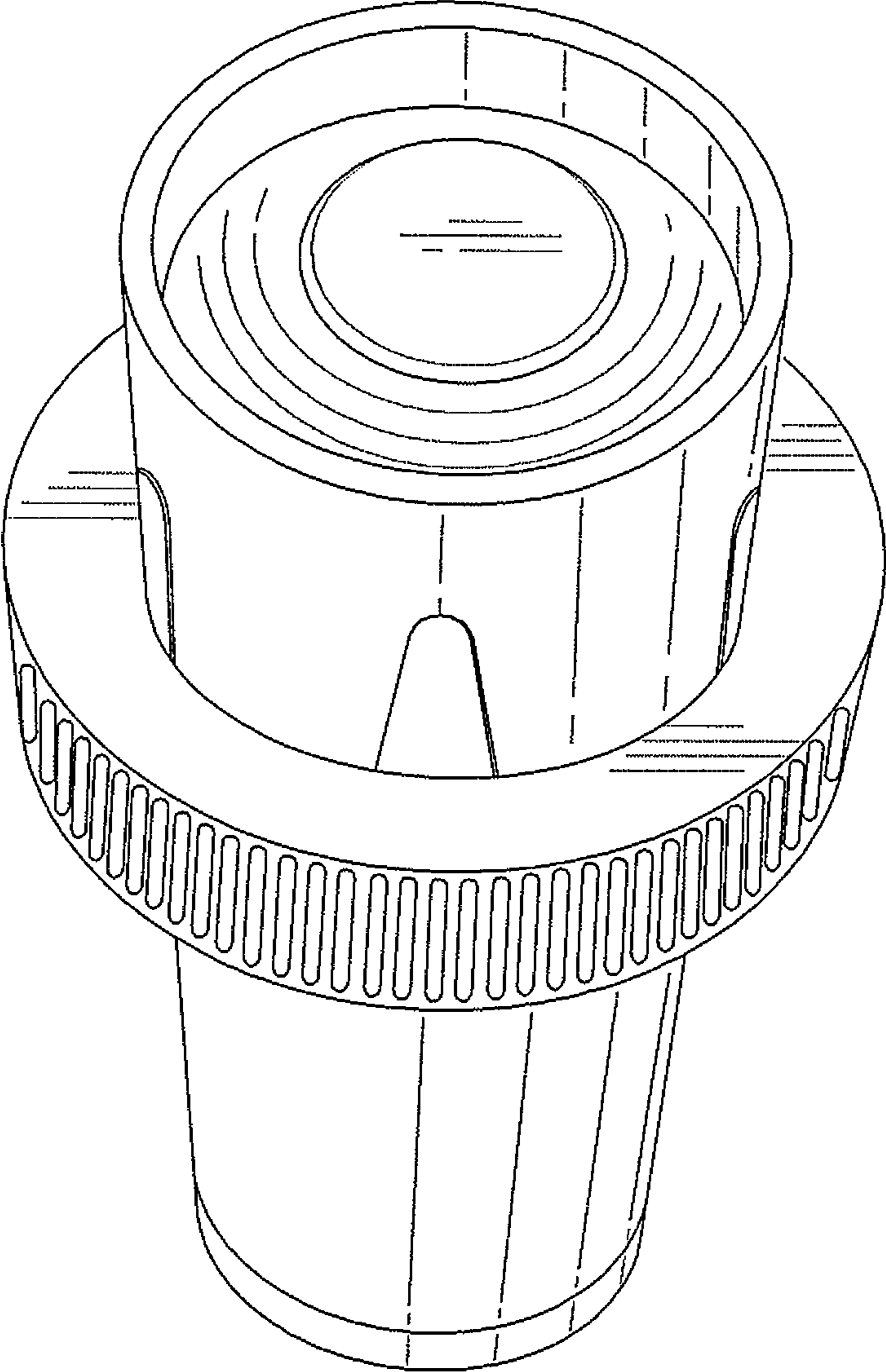


FIG. 2

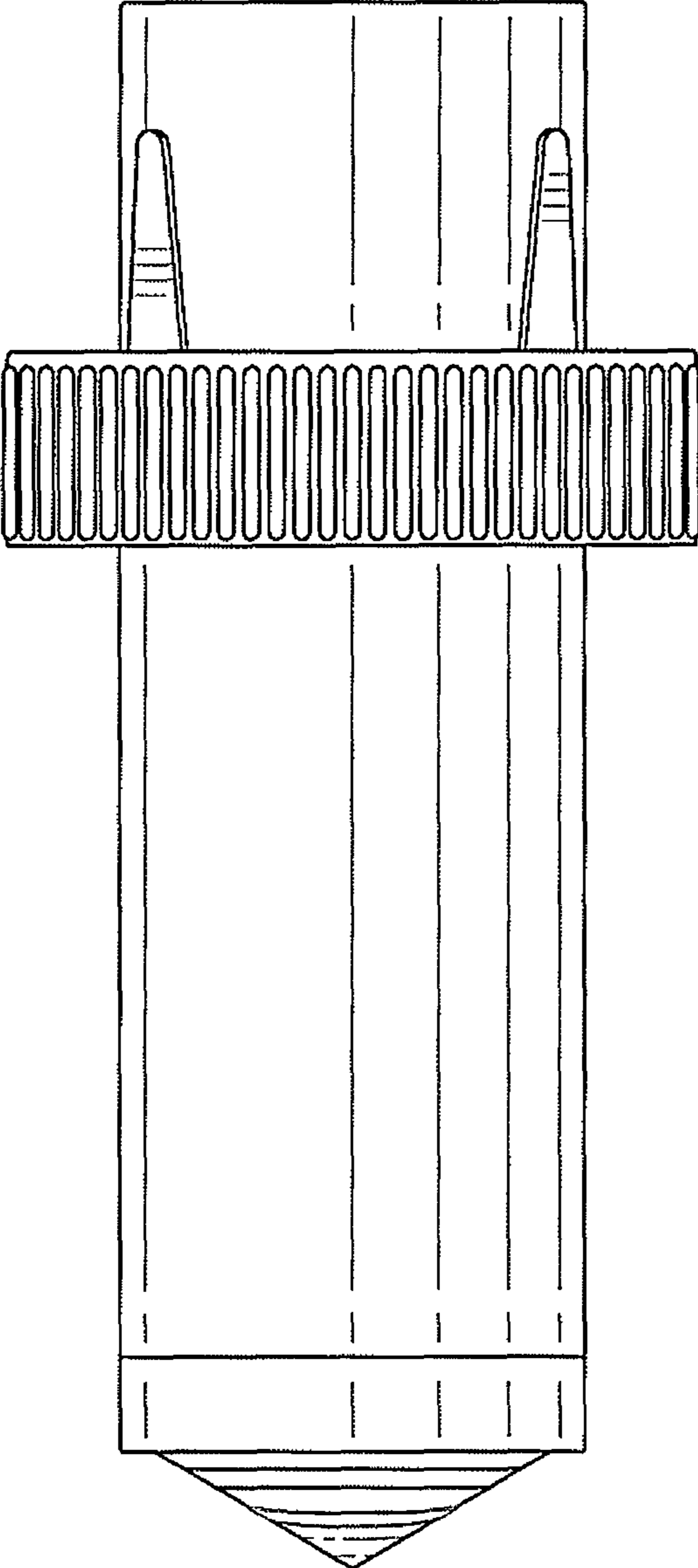


FIG. 3

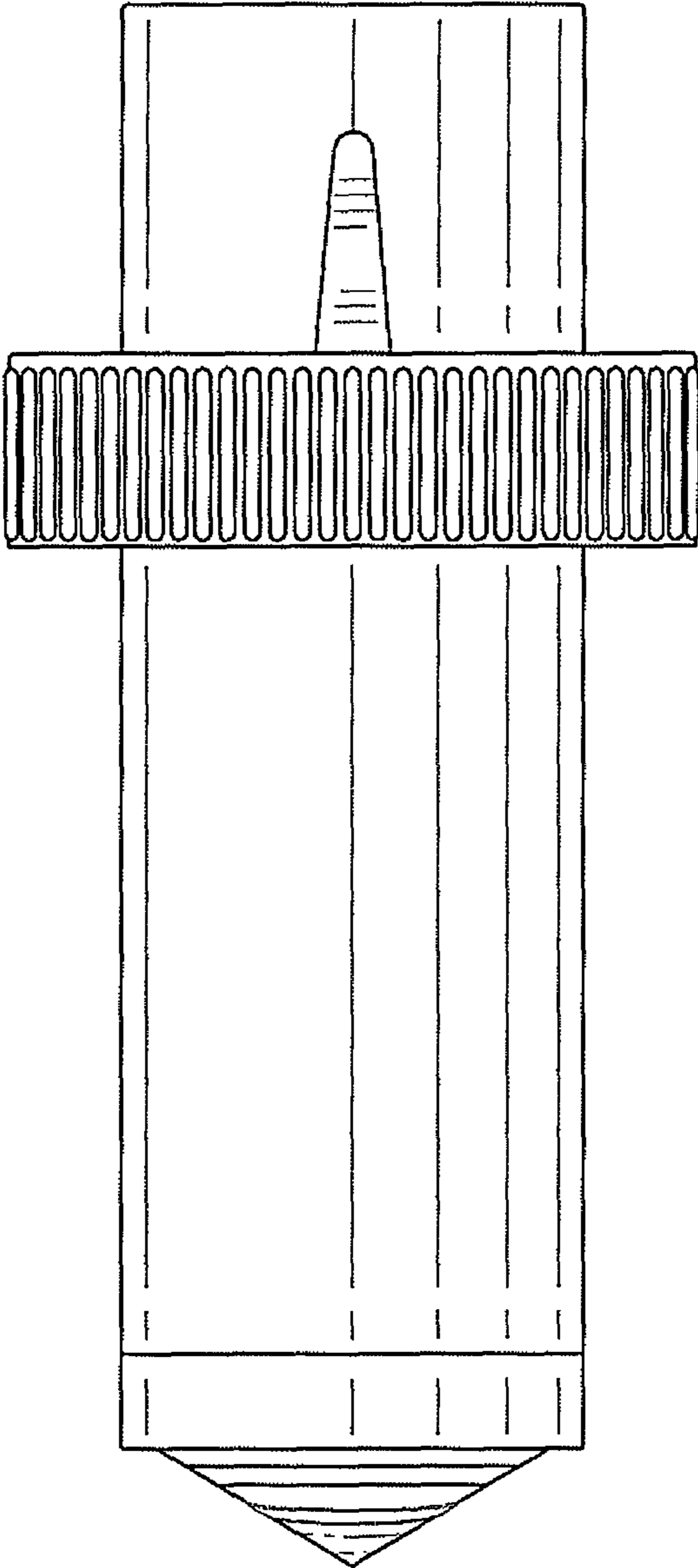


FIG. 4

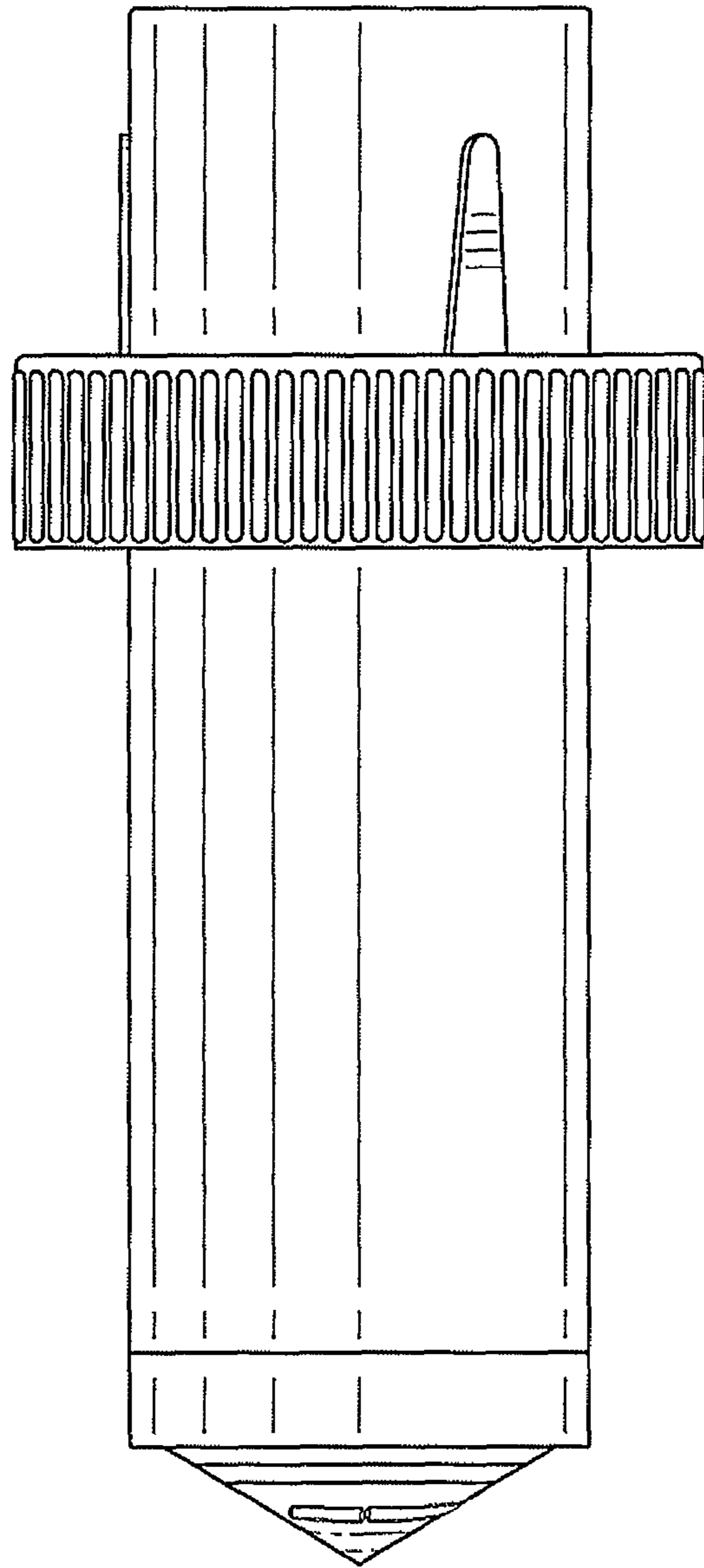


FIG. 5

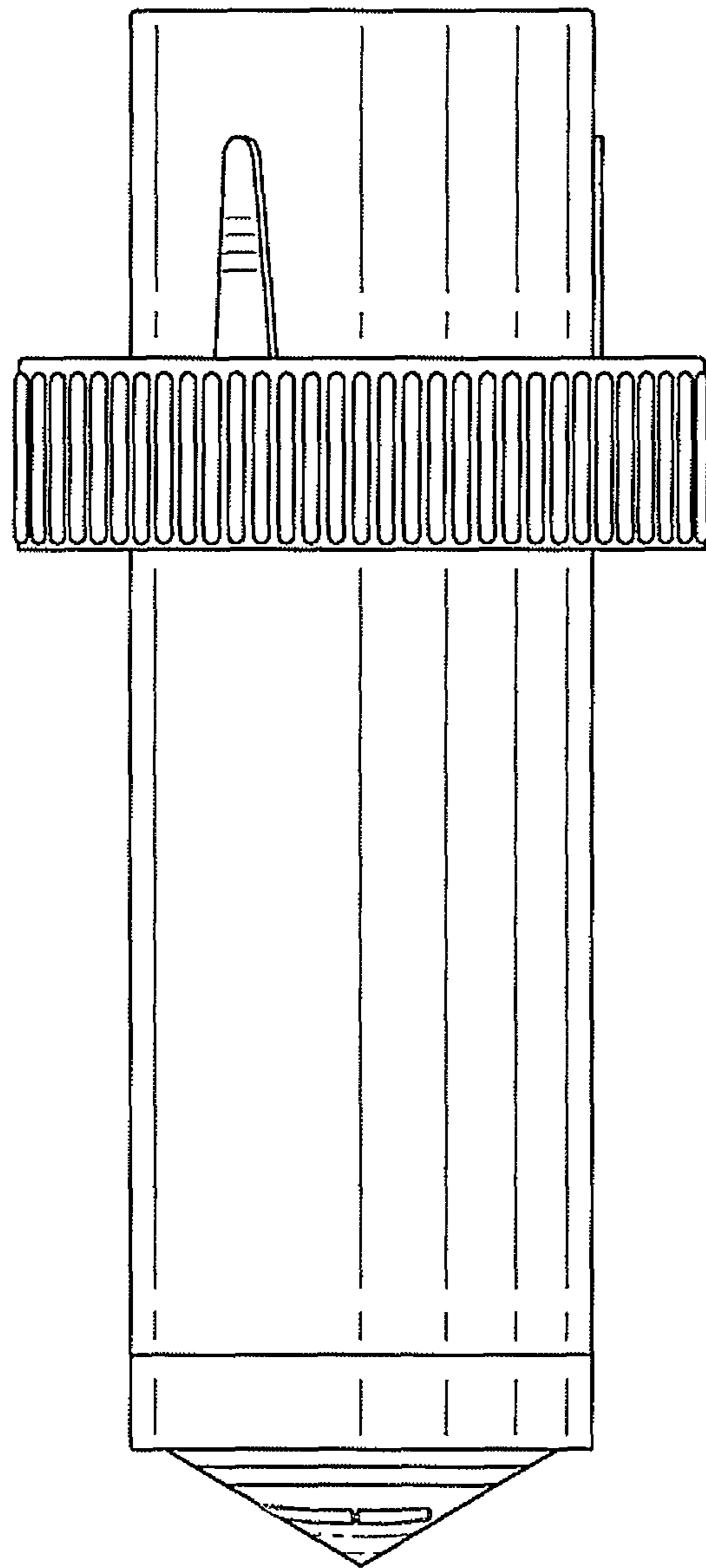


FIG. 6

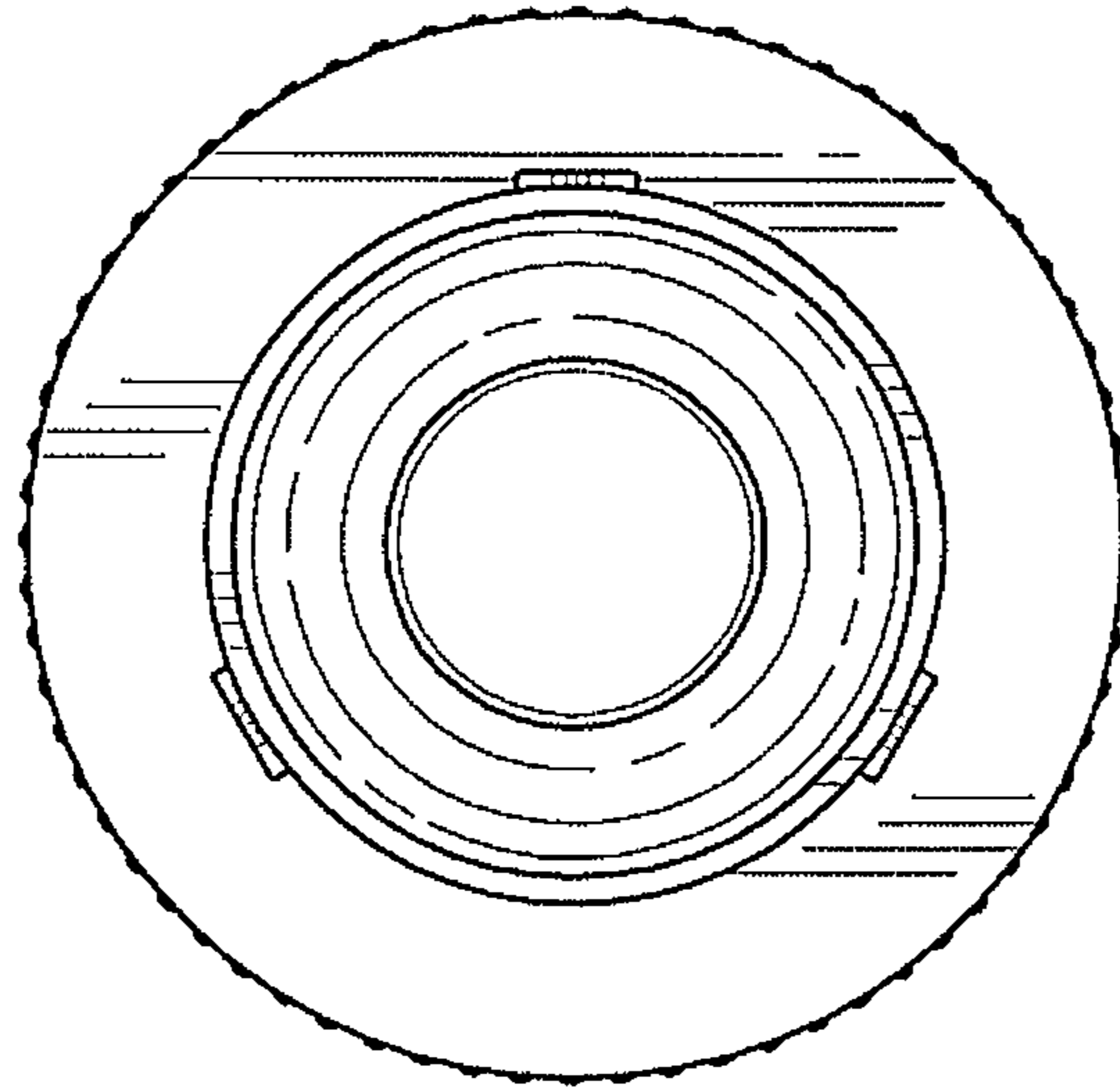


FIG. 7

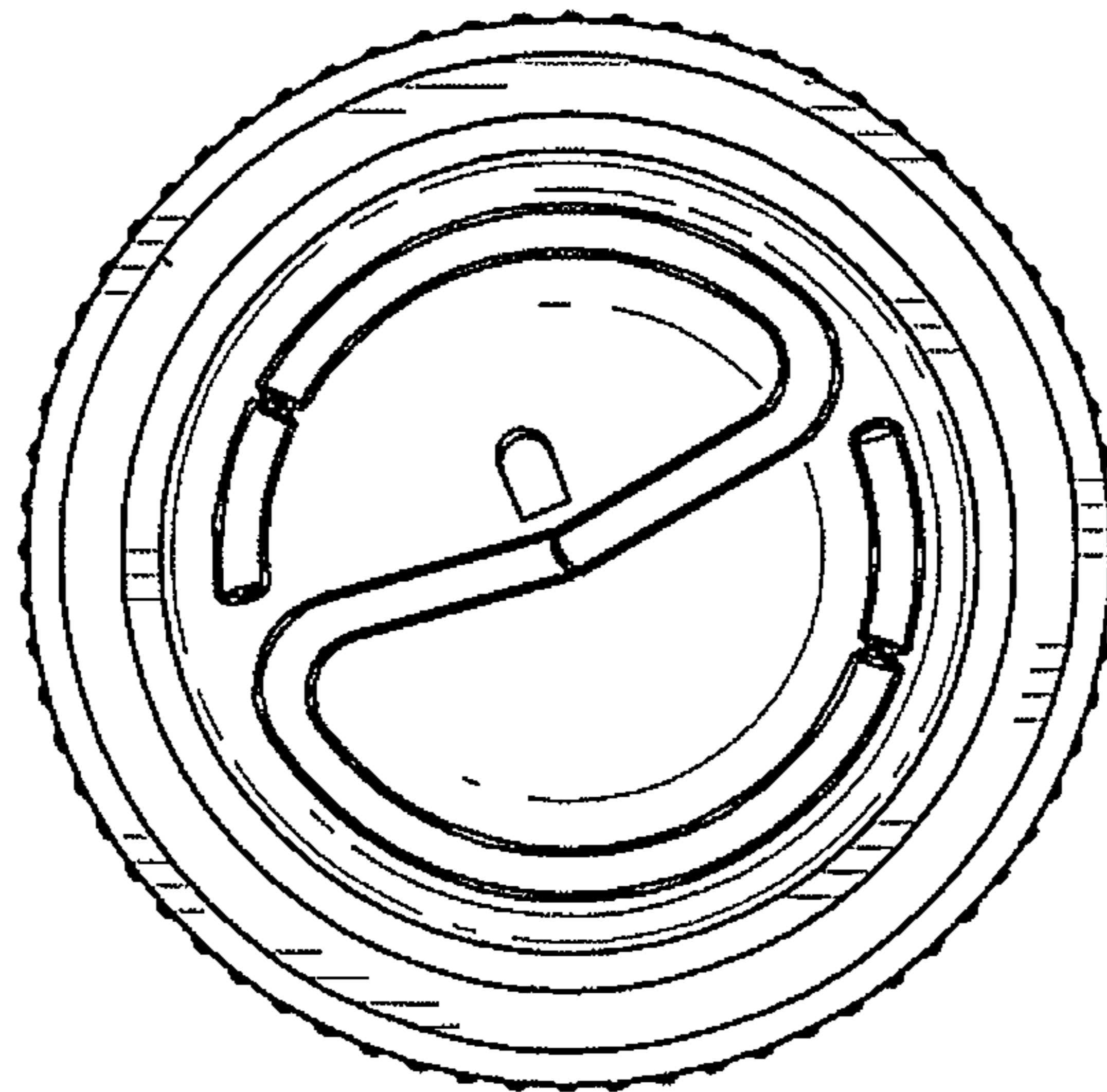


FIG. 8

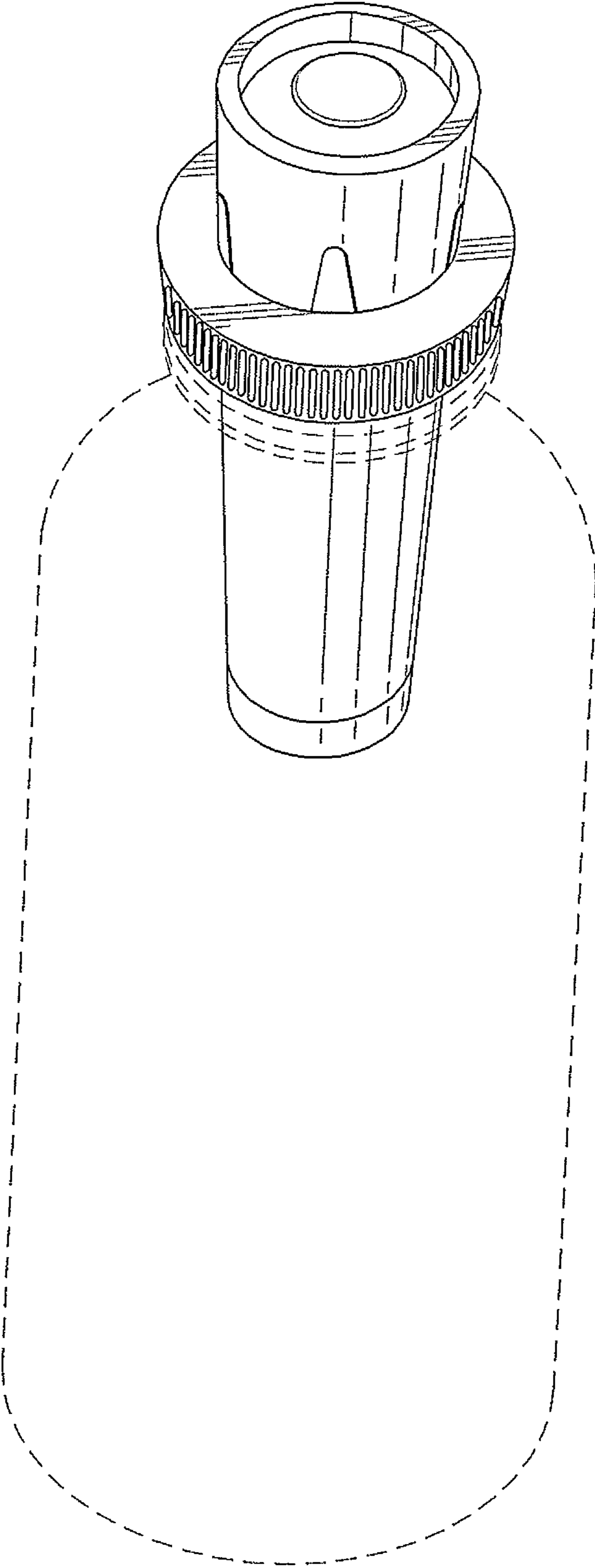


FIG. 9