



US00D721953S

(12) **United States Design Patent**  
**Hasegawa**

(10) **Patent No.:** **US D721,953 S**  
(45) **Date of Patent:** **\*\* Feb. 3, 2015**

(54) **STAY FOR FURNITURE**

(71) Applicant: **Manabu Hasegawa**, Chiyoda-ku (JP)

(72) Inventor: **Manabu Hasegawa**, Chiyoda-ku (JP)

(73) Assignee: **Sugatsune Kogyo Co., Ltd.**,  
Chiyoda-Ku (JP)

(\*\*) Term: **14 Years**

(21) Appl. No.: **29/451,484**

(22) Filed: **Apr. 2, 2013**

(30) **Foreign Application Priority Data**

Oct. 31, 2012 (JP) ..... 2012-026588

(51) **LOC (10) Cl.** ..... **08-09**

(52) **U.S. Cl.**  
USPC ..... **D8/402**

(58) **Field of Classification Search**

CPC . E05D 7/0407; E05D 2003/166; E05D 5/065;  
E05D 7/123; E05Y 2900/20

USPC ..... D8/323, 325, 336, 338, 400, 402;  
D16/334; 16/309, 235, 275, 379, 390,  
16/241, 238, 245, 236, 243, 242, 385, 225,  
16/286; 49/381

See application file for complete search history.

(56) **References Cited**

**U.S. PATENT DOCUMENTS**

D533,447 S \* 12/2006 Irie ..... D8/402  
D611,336 S \* 3/2010 Hasegawa ..... D8/402

(Continued)

**FOREIGN PATENT DOCUMENTS**

JP D1455273 S 11/2012  
JP D1455274 S 11/2012  
JP D1455275 S 11/2012

*Primary Examiner* — Deanna L Pratt

*Assistant Examiner* — Lilyana Bekic

(74) *Attorney, Agent, or Firm* — Masuvalley & Partners

(57) **CLAIM**

The ornamental design for a stay for furniture, as shown and described.

**DESCRIPTION**

FIG. 1 is a perspective view seen from above the front and left side of a stay for furniture embodying my new design;

FIG. 2 is a perspective view of the stay for furniture of FIG. 1 seen from above the rear and right side;

FIG. 3 is a perspective view of the stay for furniture of FIG. 1 seen from below the front and left side;

FIG. 4 is a perspective view of the stay for furniture of FIG. 1 seen from below the rear and right side;

FIG. 5 is a front elevation view of the stay for furniture of FIG. 1;

FIG. 6 is a rear elevation view of the stay for furniture of FIG. 1;

FIG. 7 is a right side elevation view of the stay for furniture of FIG. 1;

FIG. 8 is a left side elevation view of the stay for furniture of FIG. 1;

FIG. 9 is a top plan view of the stay for furniture of FIG. 1;

FIG. 10 is a bottom plan view of the stay for furniture of FIG. 1;

FIG. 11 is a partially enlarged view of the stay for furniture through portion 11-11 shown in FIG. 9;

FIG. 12 is a partially enlarged view of the stay for furniture through portion 12-12 shown in FIG. 10;

FIG. 13 is a front elevation view of the stay for furniture of FIG. 1 in a state where the arm portion is moved;

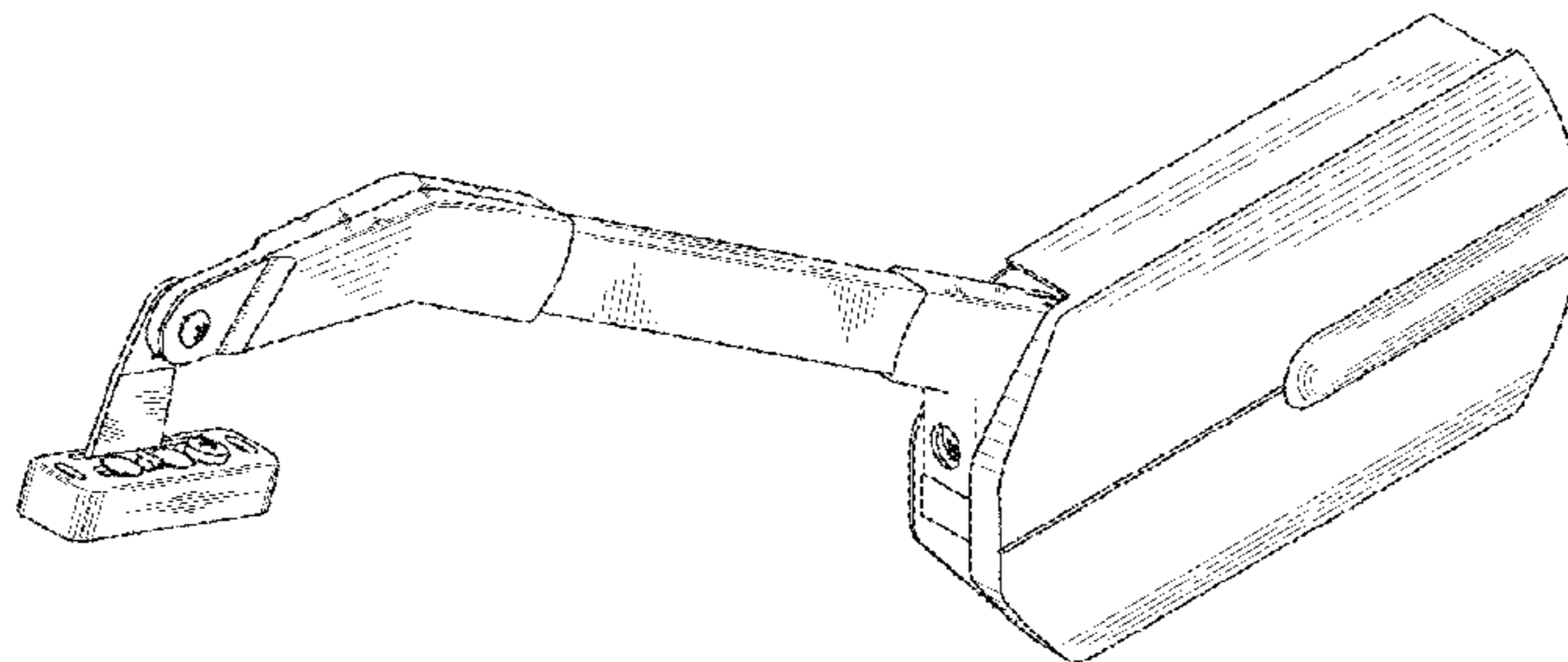
FIG. 14 is a perspective view thereof, in a position of use;

FIG. 15 is a front elevation view thereof, in a position of use; and,

FIG. 16 is a front elevation view thereof, in another position of use.

The broken line showing of the furniture in FIGS. 14-16 illustrates the environment of the claimed design and forms no part thereof.

**1 Claim, 16 Drawing Sheets**



# US D721,953 S

Page 2

---

(56)

## References Cited

### U.S. PATENT DOCUMENTS

D611,337 S \* 3/2010 Hasegawa ..... D8/402  
D611,338 S \* 3/2010 Suzuki et al. .... D8/402  
D633,366 S \* 3/2011 Hasegawa et al. .... D8/329

8,468,653 B2 \* 6/2013 Tumler ..... 16/286  
2012/0000130 A1 \* 1/2012 Kashiwaguma ..... 49/348  
2013/0026114 A1 \* 1/2013 Kashiwaguma ..... 211/27  
2013/0026318 A1 \* 1/2013 Kashiwaguma ..... 248/213.2  
2013/0031746 A1 \* 2/2013 Hasegawa et al. .... 16/50

\* cited by examiner

FIG. 1

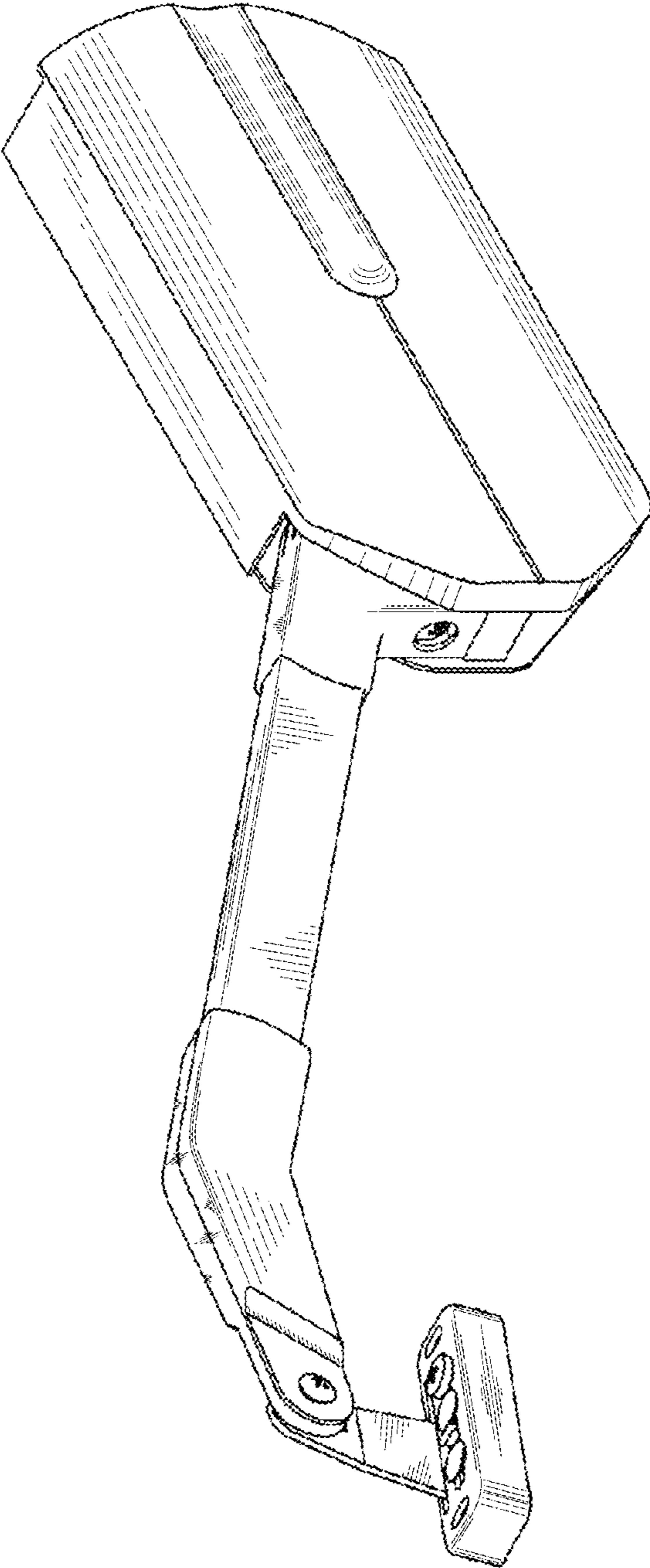


FIG. 2

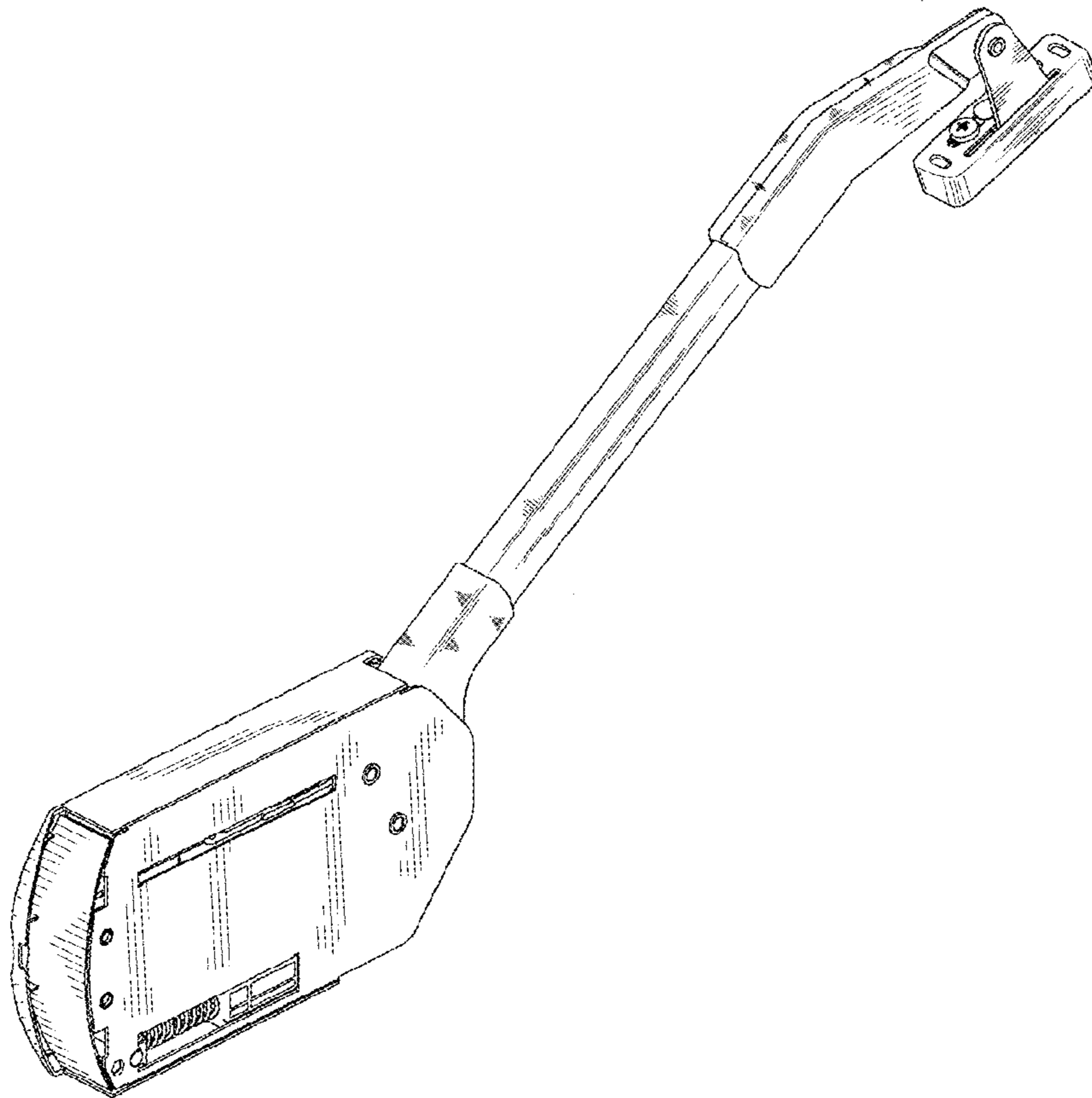


FIG. 3

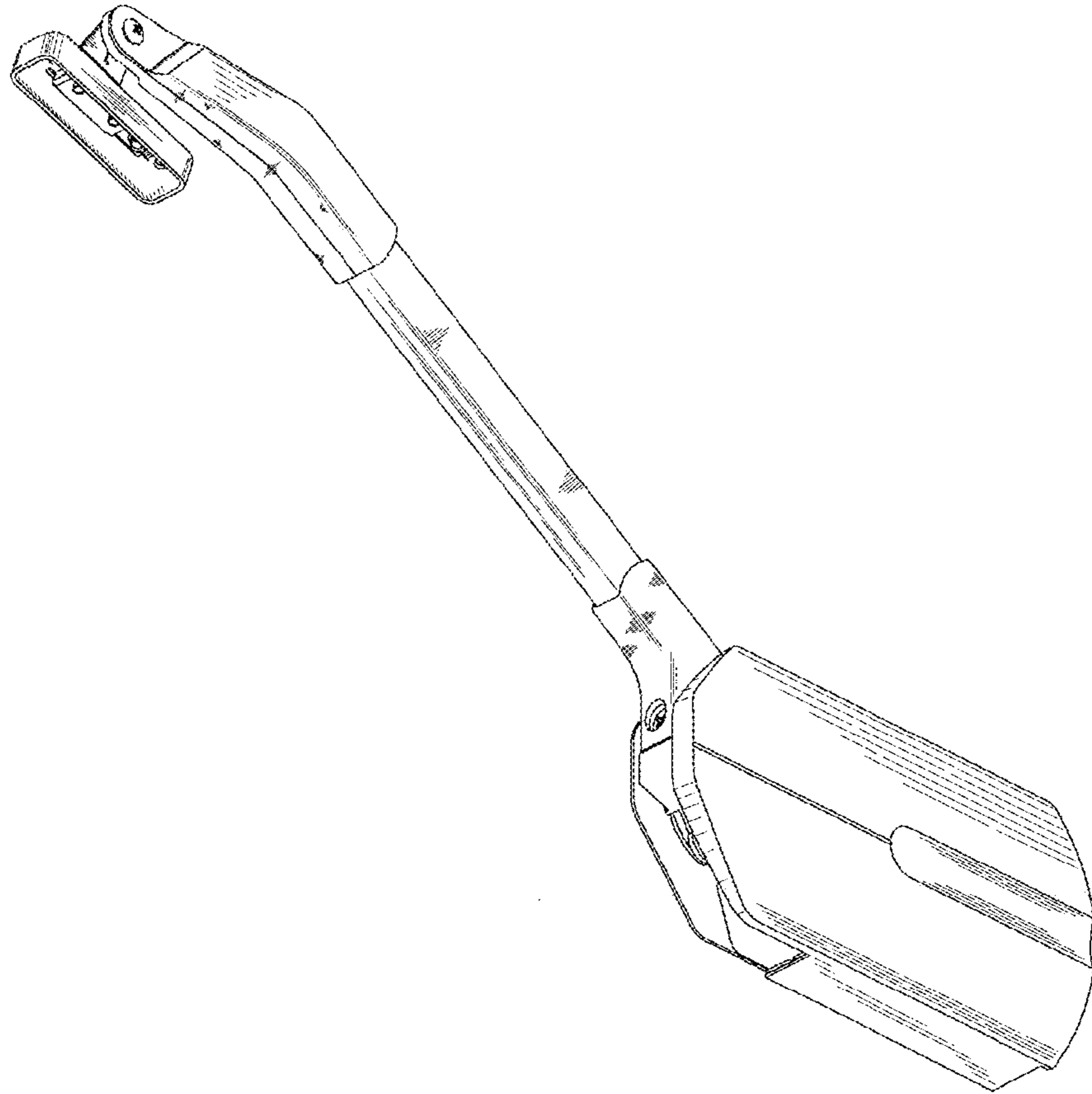




FIG. 4

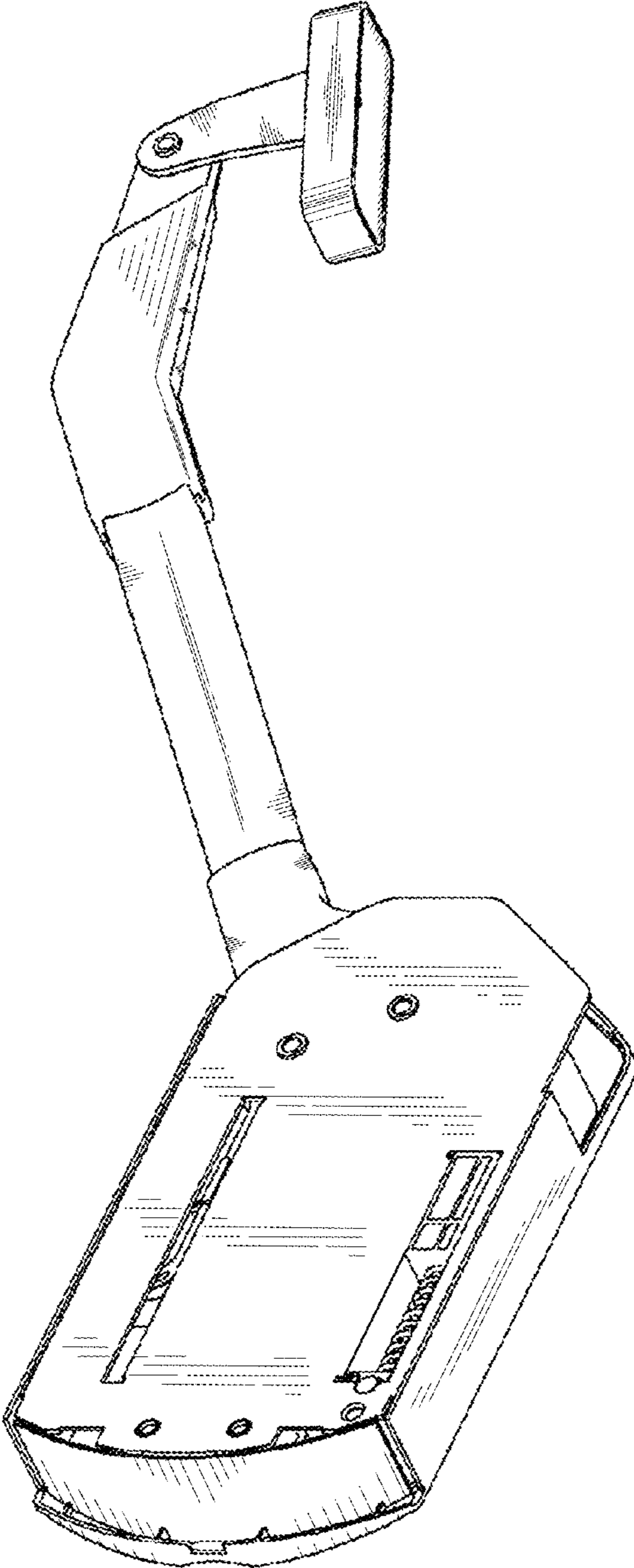


FIG. 5

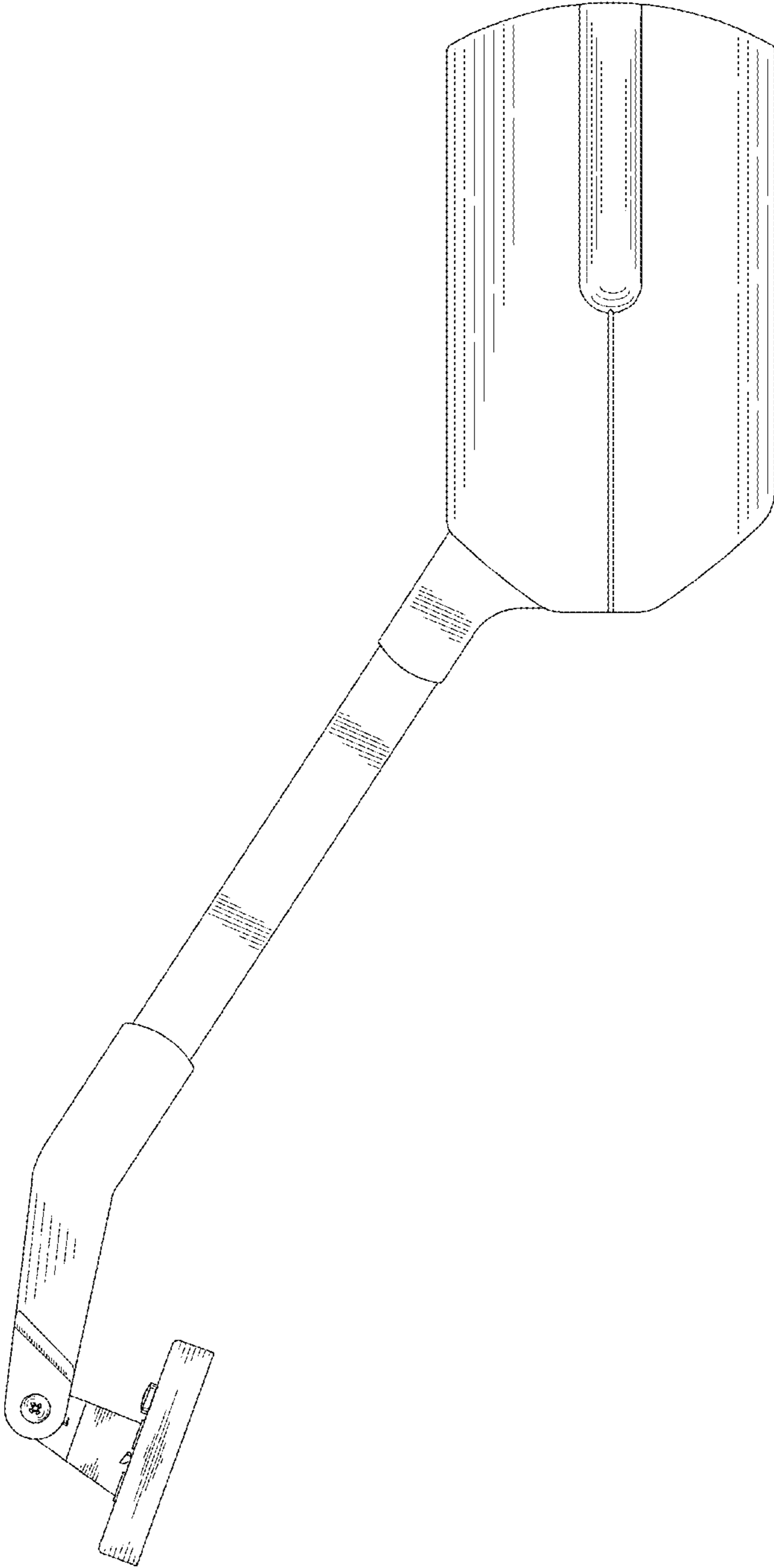


FIG. 6

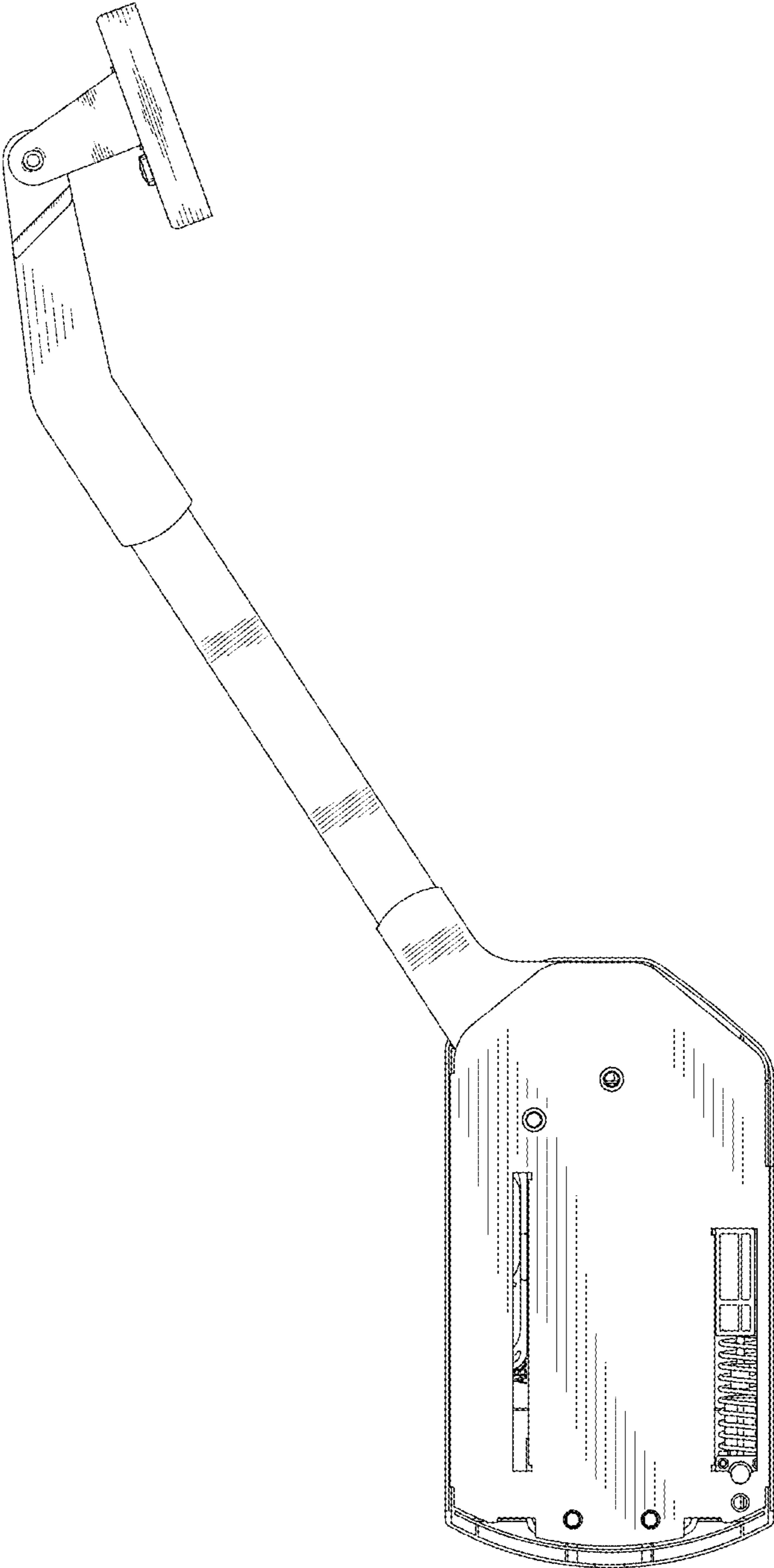




FIG. 7

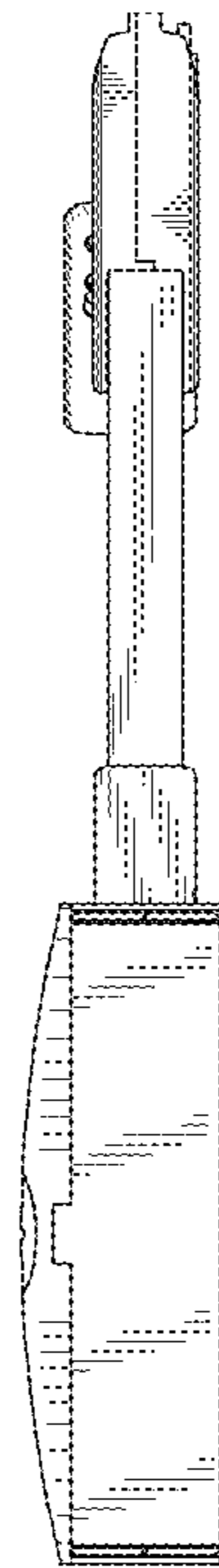


FIG. 8

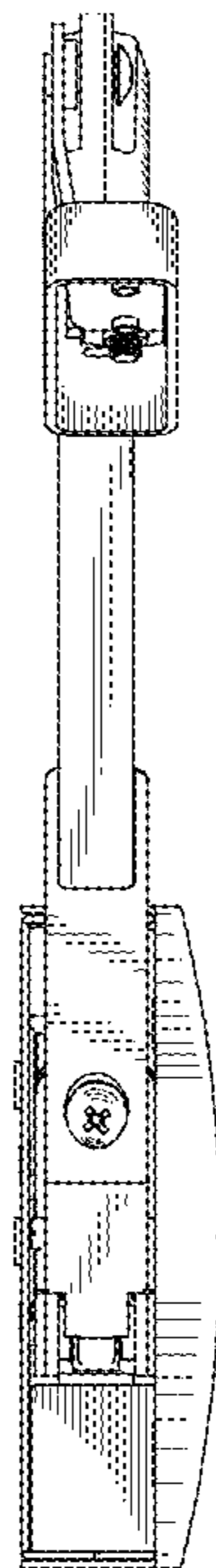


FIG. 9

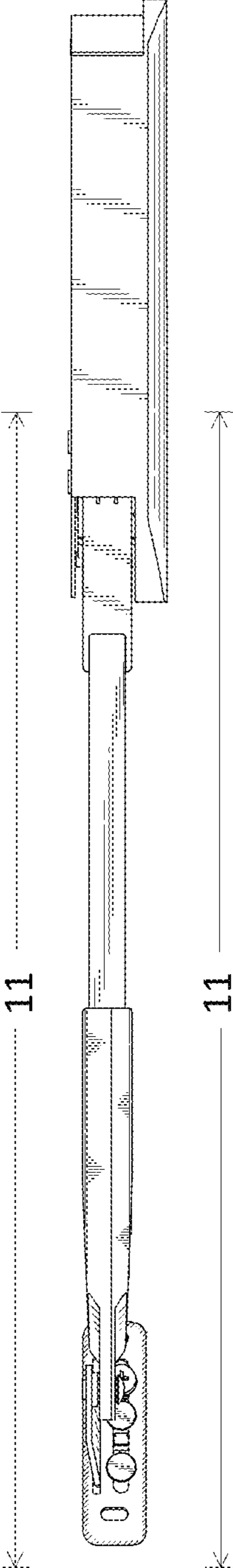


FIG. 10

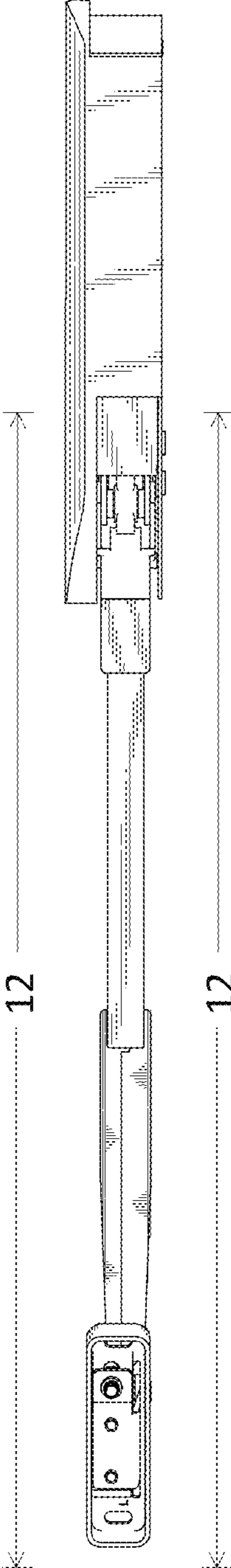


FIG. 11

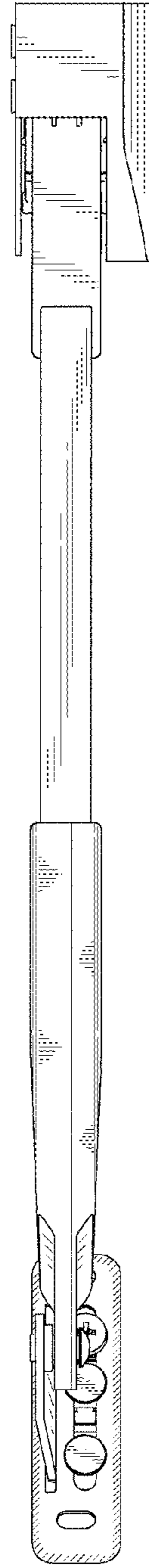


FIG. 12

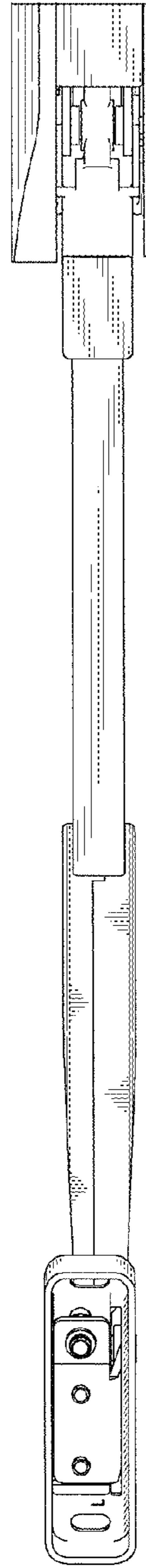




FIG. 13

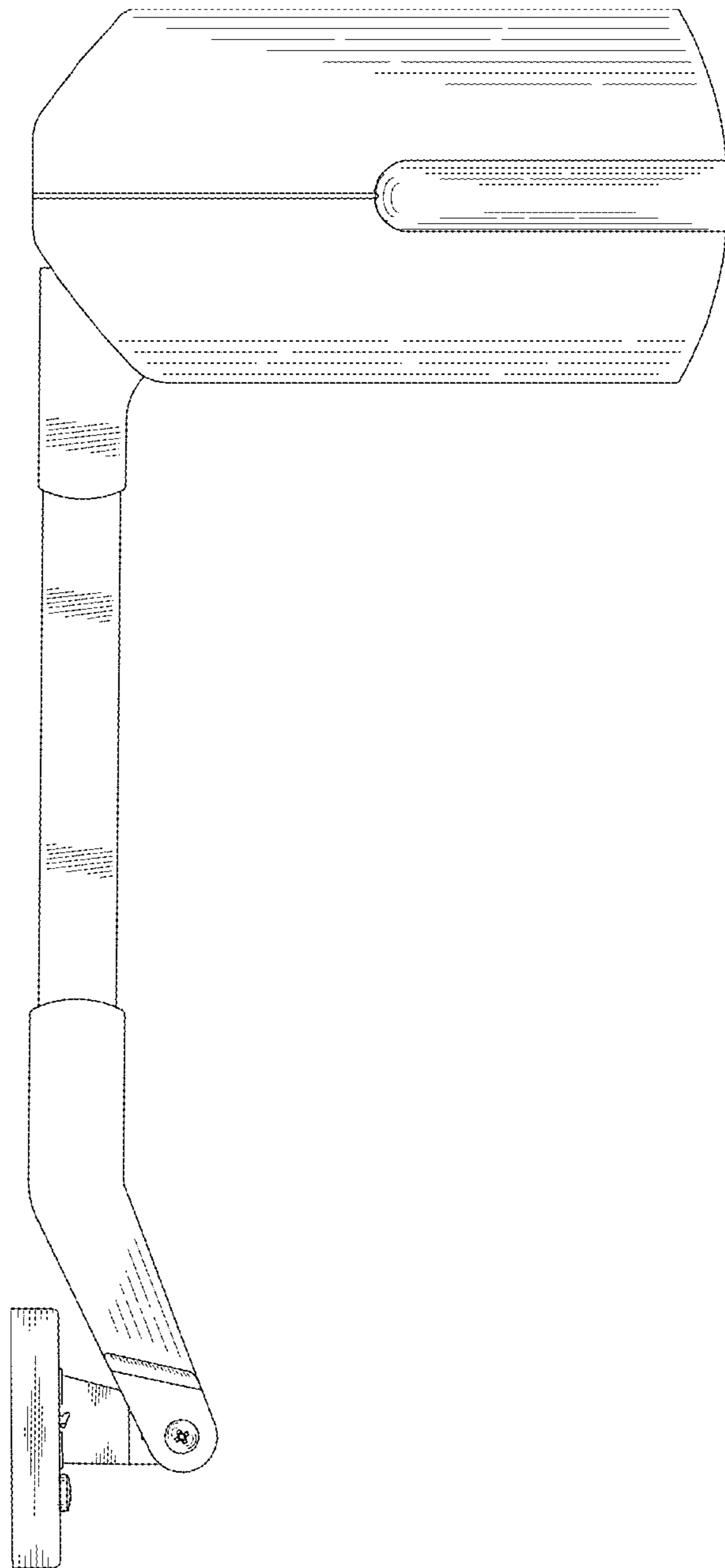


FIG. 14

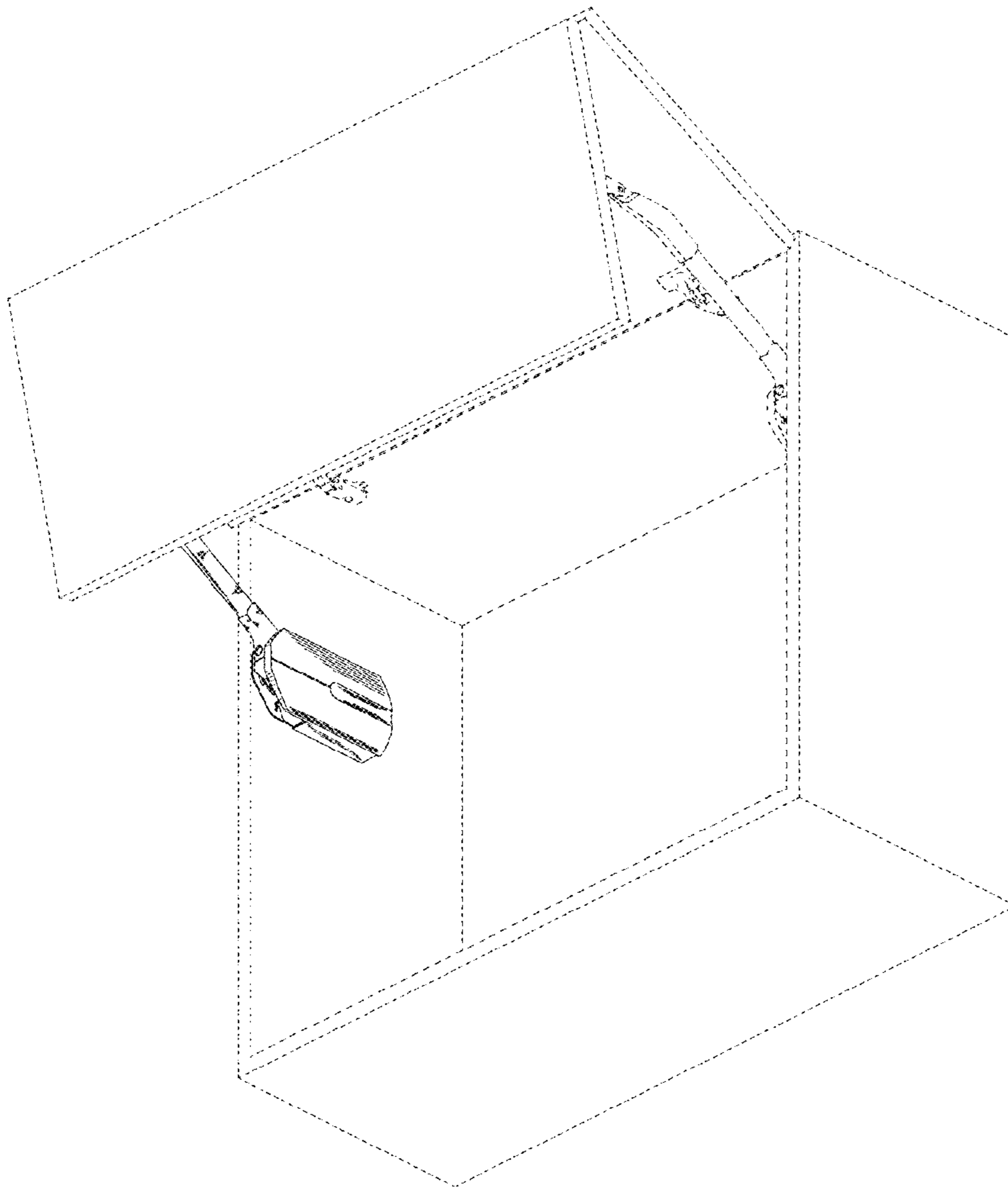


FIG. 15

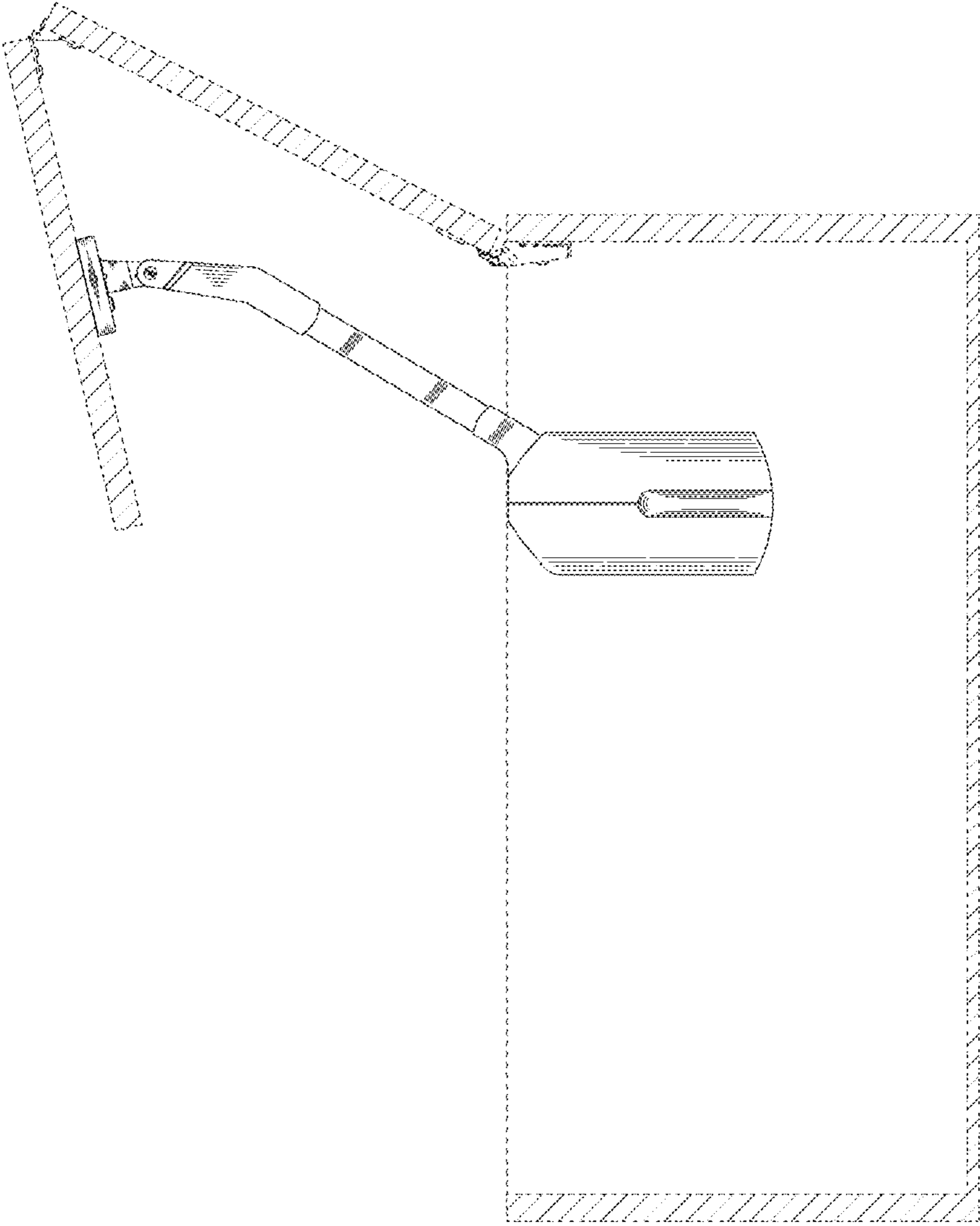


FIG. 16

