



US00D721952S

(12) **United States Design Patent**
Parthibhan et al.

(10) **Patent No.:** **US D721,952 S**
(45) **Date of Patent:** **** Feb. 3, 2015**

- (54) **CONE AND CHANNEL NUT**
- (71) Applicant: **Thomas & Betts International LLC**,
Wilmington, DE (US)
- (72) Inventors: **Suresh Kumar Parthibhan**, Tamil Nadu
(IN); **Christine S. Reagan**,
Germantown, TN (US)
- (73) Assignee: **Thomas & Betts International LLC**,
Wilmington, DE (US)
- (**) Term: **14 Years**
- (21) Appl. No.: **29/482,487**
- (22) Filed: **Feb. 19, 2014**
- (51) **LOC (10) Cl.** **08-08**
- (52) **U.S. Cl.**
USPC **D8/397**
- (58) **Field of Classification Search**
USPC D8/397, 394, 382, 399; 439/501;
16/2.1; D13/151, 133; 411/337, 427,
411/436, 9, 303, 280, 302; D23/262
See application file for complete search history.

- 5,503,511 A 4/1996 Flamme
- 5,624,217 A 4/1997 Hungerford, Jr.
- 5,628,598 A 5/1997 Hofle
- 5,655,865 A * 8/1997 Plank et al. 411/85

(Continued)

FOREIGN PATENT DOCUMENTS

IN 251822 2/2013
Primary Examiner — Cynthia Underwood
(74) *Attorney, Agent, or Firm* — Robbie Webb

(57) **CLAIM**
The ornamental design for a cone and channel nut, as shown and described.

DESCRIPTION

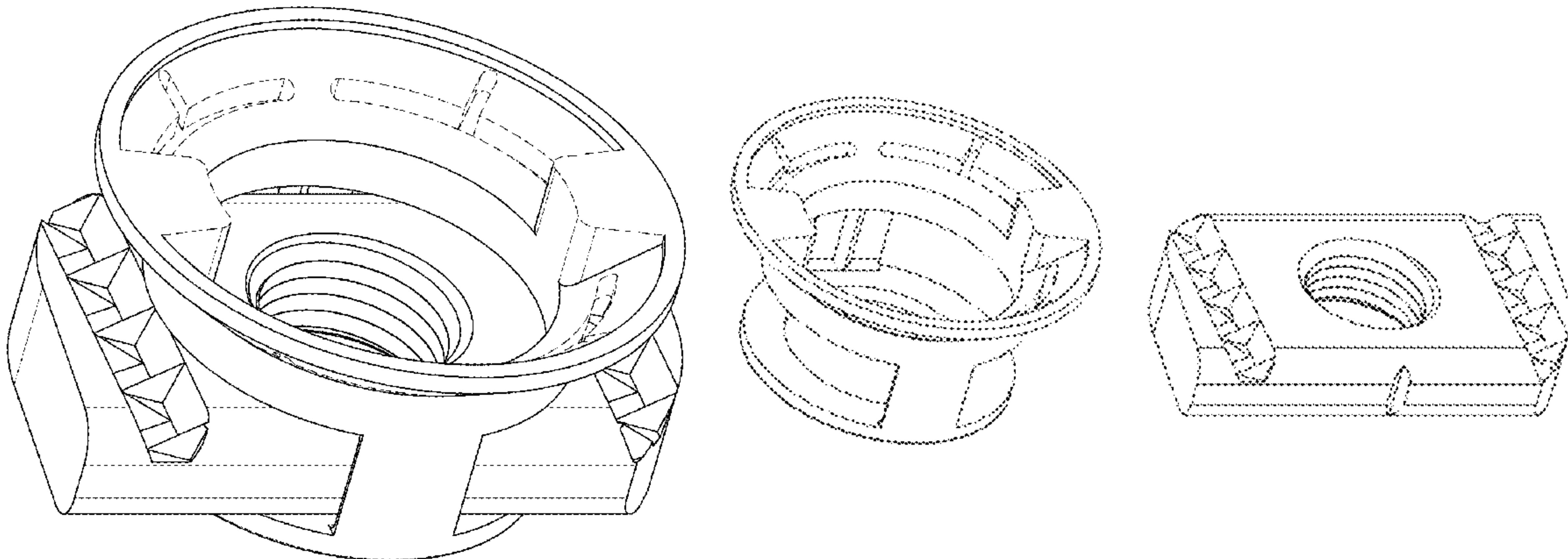
FIG. 1 is a front perspective view of a cone and channel nut of the present invention;
FIG. 2 is a front perspective exploded view of a cone nut of the present invention showing the cone and channel nut separated;
FIG. 3 is a top plan view of a cone and channel nut of the present invention;
FIG. 4 is a side elevation view of a cone and channel nut of the present invention;
FIG. 5 is a side elevation view of the cone separated from the channel nut of a cone nut of the present invention;
FIG. 6 is a front elevation view of the cone separated from the channel nut of a cone nut of the present invention;
FIG. 7 is a top perspective view of the cone separated from the channel nut of a cone nut of the present invention;
FIG. 8 is a top plan view of the channel nut separated from the cone of a cone nut of the present invention; and,
FIG. 9 is a top perspective view of the channel nut separated from the cone of a cone nut of the present invention.
No claim is made to the parts of the drawings shown in broken lines.

(56) **References Cited**

U.S. PATENT DOCUMENTS

- D29,517 S * 10/1898 Larew D8/399
- 3,483,910 A 12/1969 La Londe et al.
- 3,493,025 A 2/1970 La Londe et al.
- 3,646,982 A * 3/1972 Cushman 411/82.5
- D229,610 S * 12/1973 Shinjo D8/397
- 4,486,133 A 12/1984 Pletcher
- 4,545,697 A * 10/1985 Verdenne et al. 403/230
- 4,645,393 A 2/1987 Pletcher
- 5,209,619 A 5/1993 Rinderer
- 5,271,586 A 12/1993 Schmidt
- 5,375,798 A * 12/1994 Hungerford, Jr. 248/58
- 5,411,356 A 5/1995 Travis et al.
- 5,489,173 A 2/1996 Hofle

1 Claim, 6 Drawing Sheets



(56)

References Cited

U.S. PATENT DOCUMENTS

5,820,322	A	10/1998	Hermann et al.	7,101,131	B2 *	9/2006	Herb	411/84
6,386,809	B2	5/2002	Ikuta	7,326,017	B2	2/2008	Winker	
6,582,170	B2	6/2003	Dinh et al.	D632,165	S *	2/2011	Daniel et al.	D8/382
6,872,038	B2	3/2005	Westlake	7,905,694	B2 *	3/2011	van Walraven	411/85
D512,302	S *	12/2005	Velten	8,353,649	B2 *	1/2013	Csik et al.	411/111
				2002/0071735	A1	6/2002	Dinh et al.	
				2004/0234356	A1 *	11/2004	Parker et al.	411/181
				2005/0013679	A1 *	1/2005	Ladoucer et al.	411/180

* cited by examiner

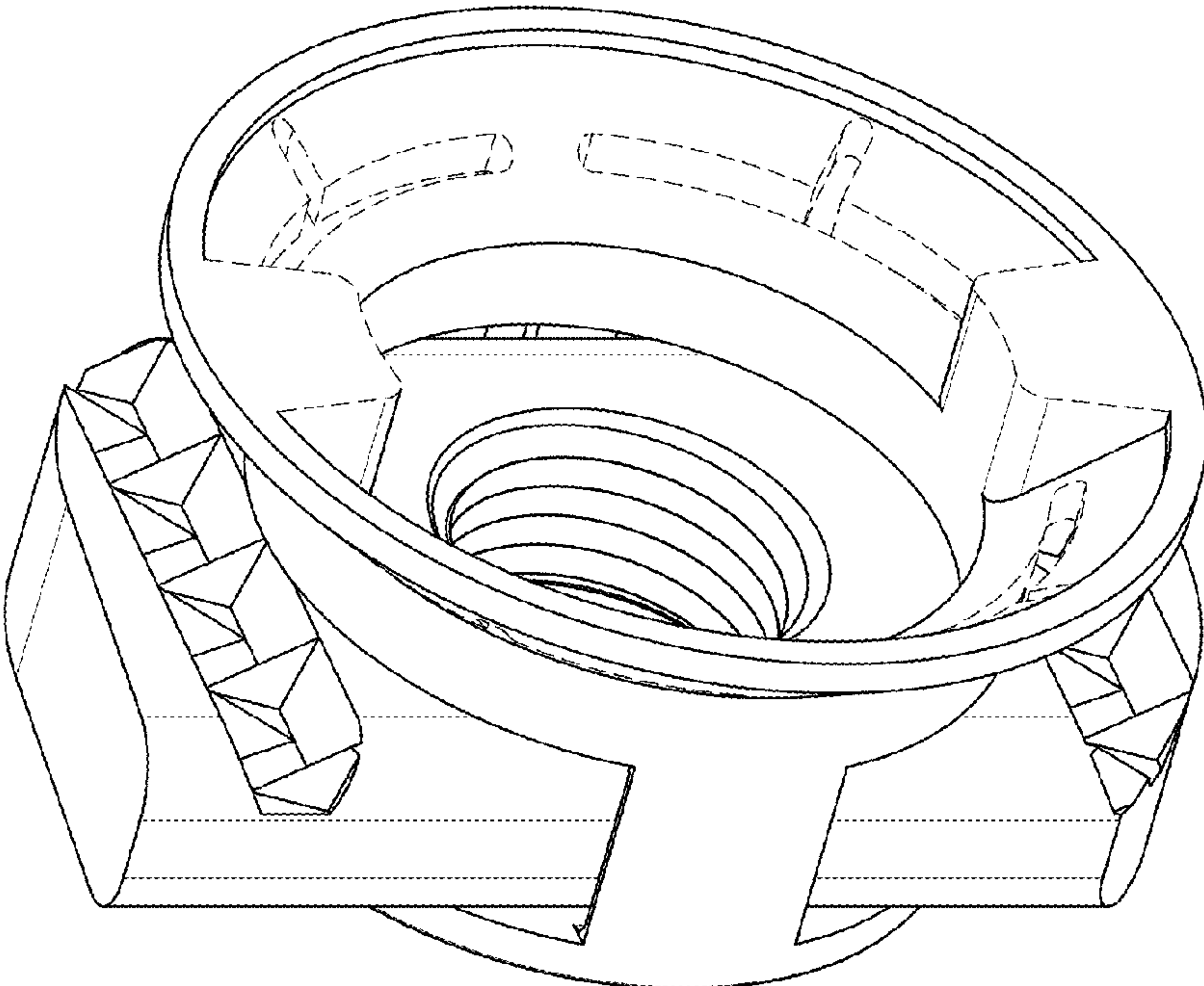


FIG. 1

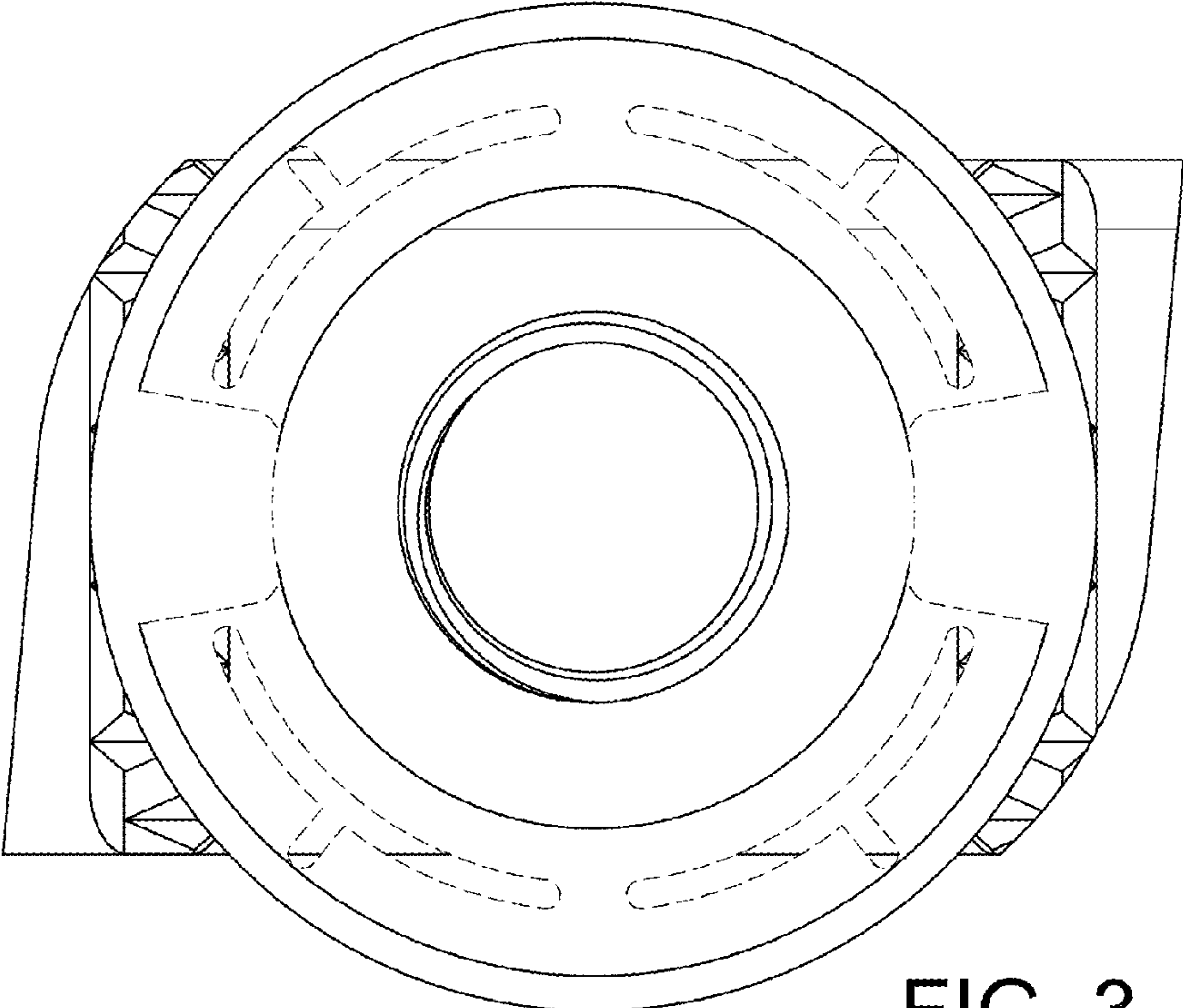


FIG. 3

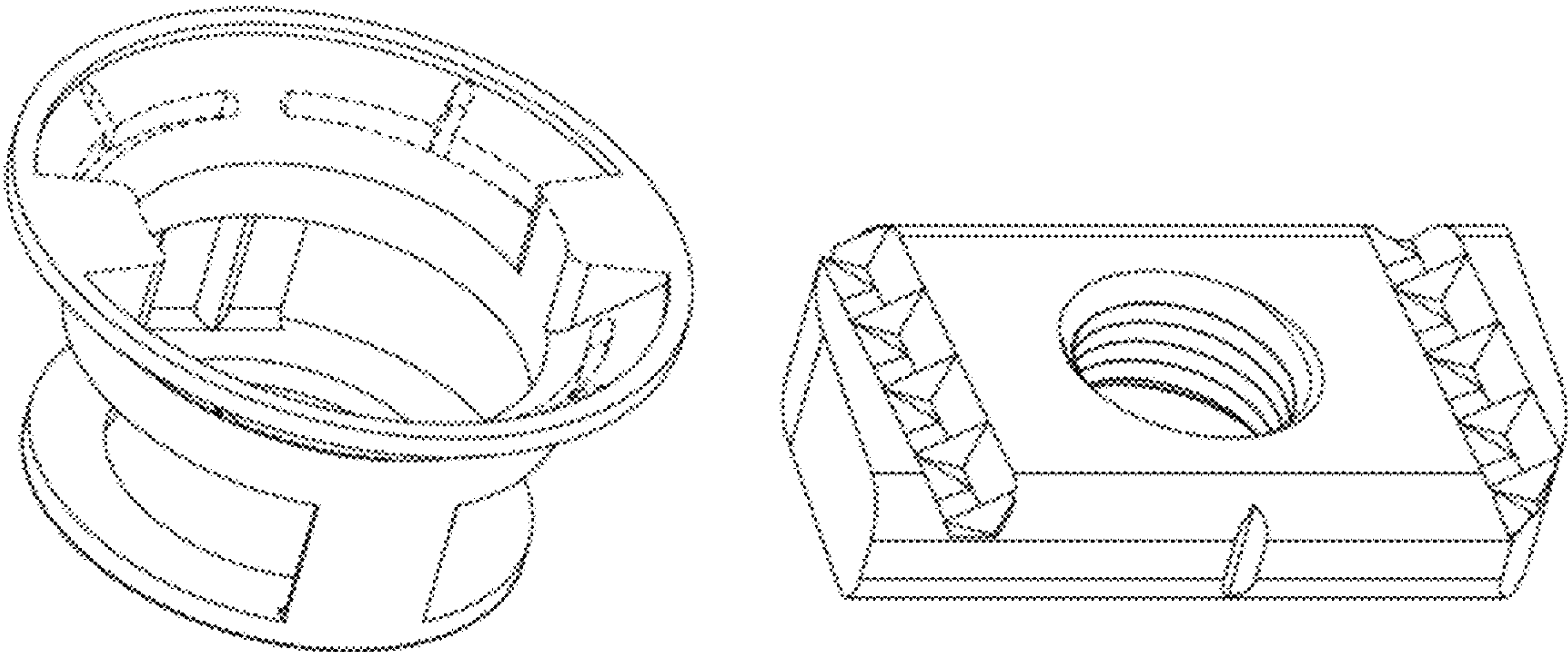


FIG. 2

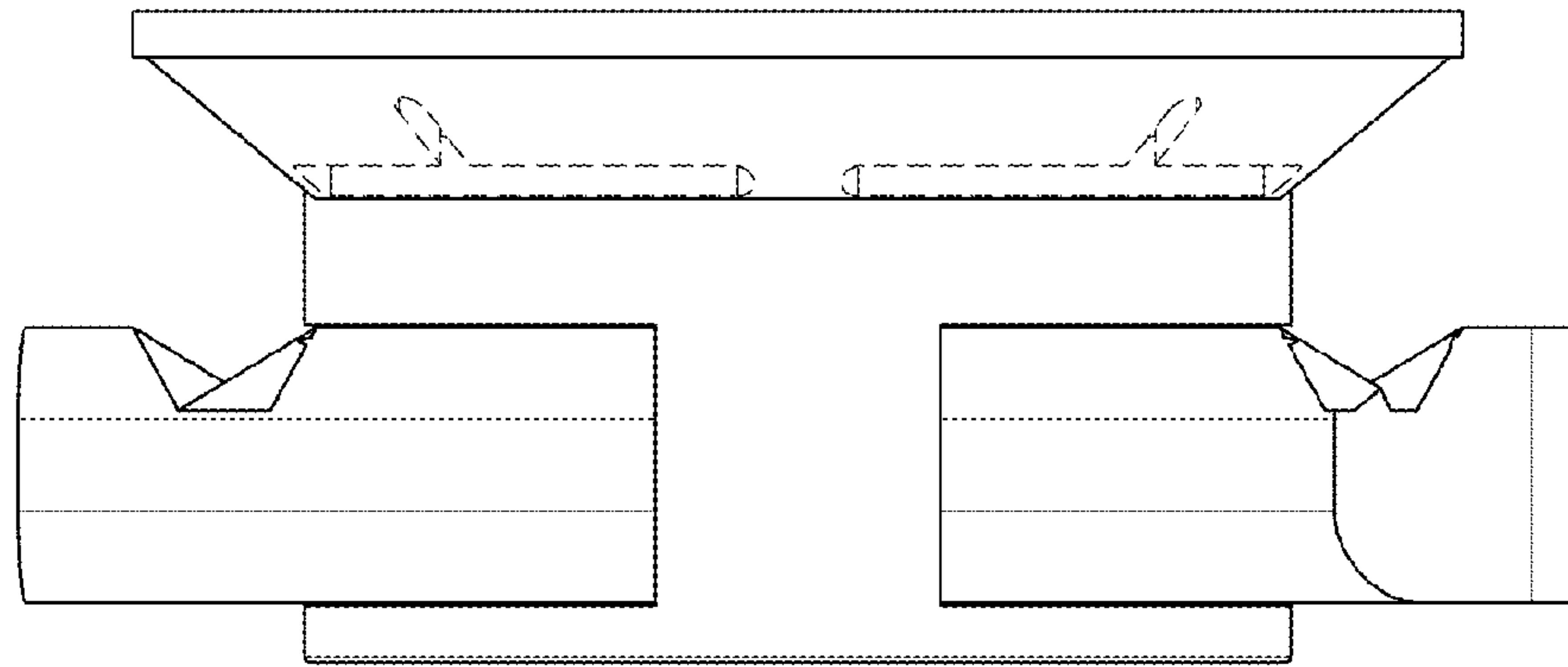


FIG. 4

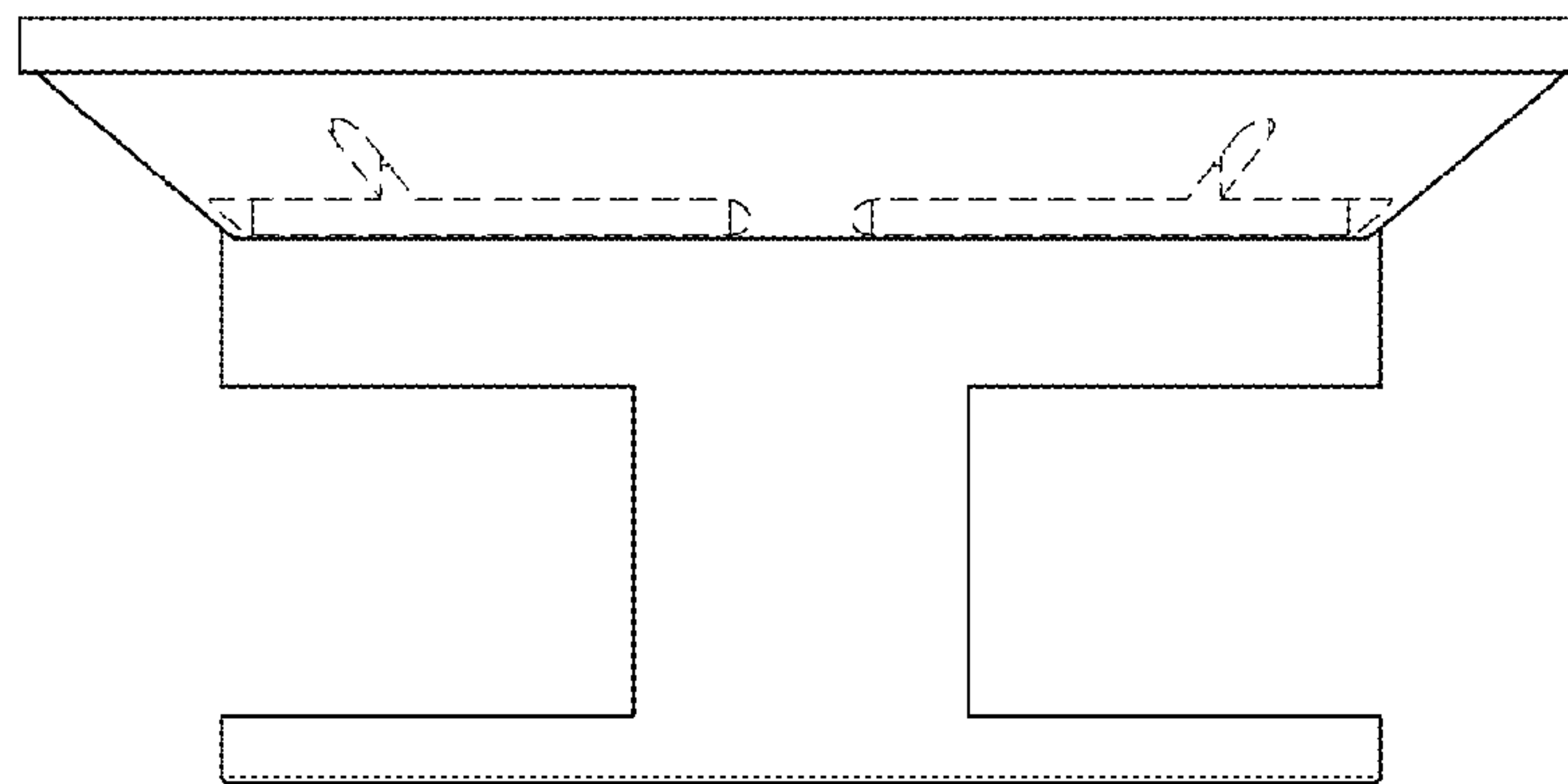


FIG. 5

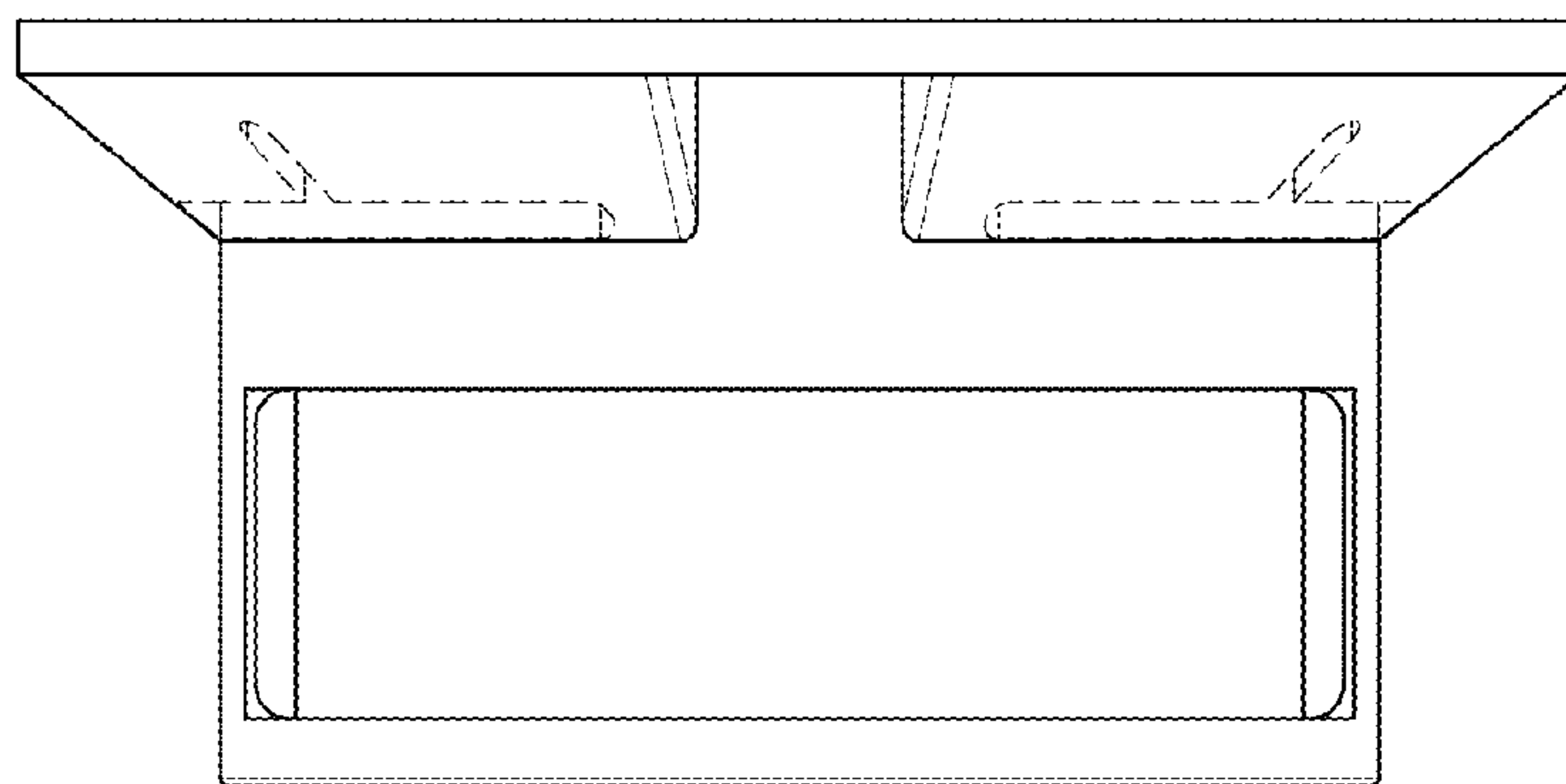


FIG. 6

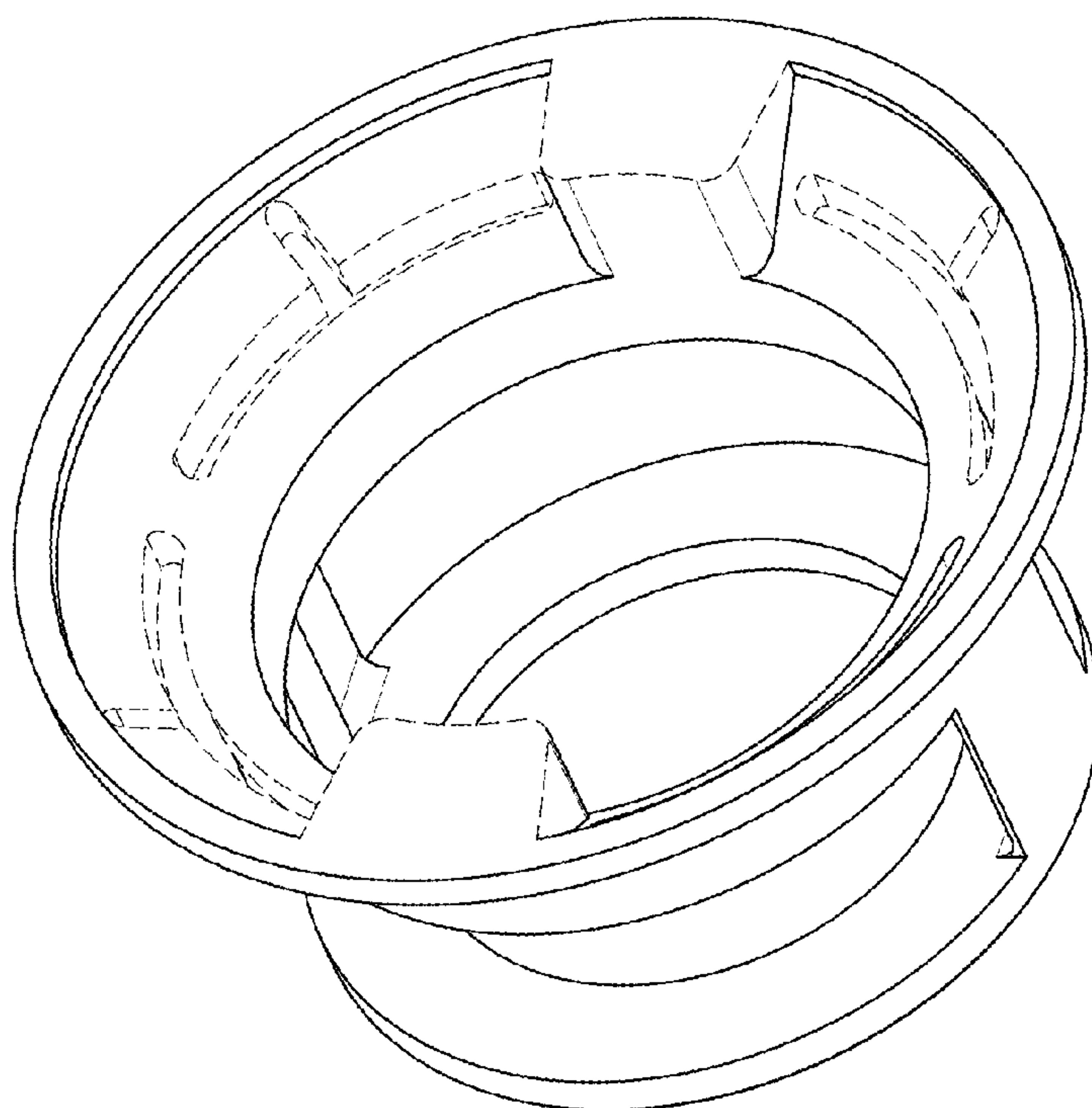


FIG. 7

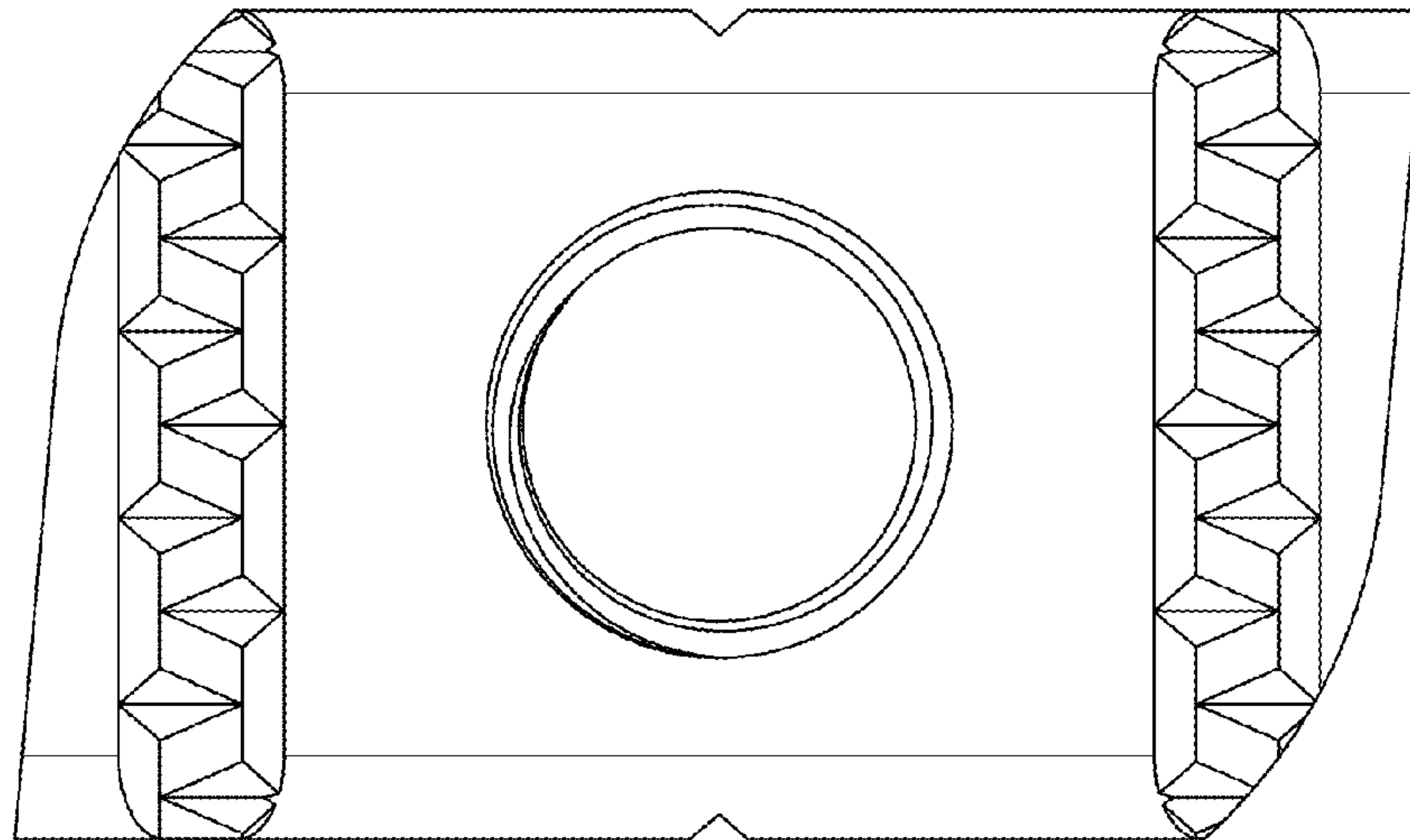


FIG. 8

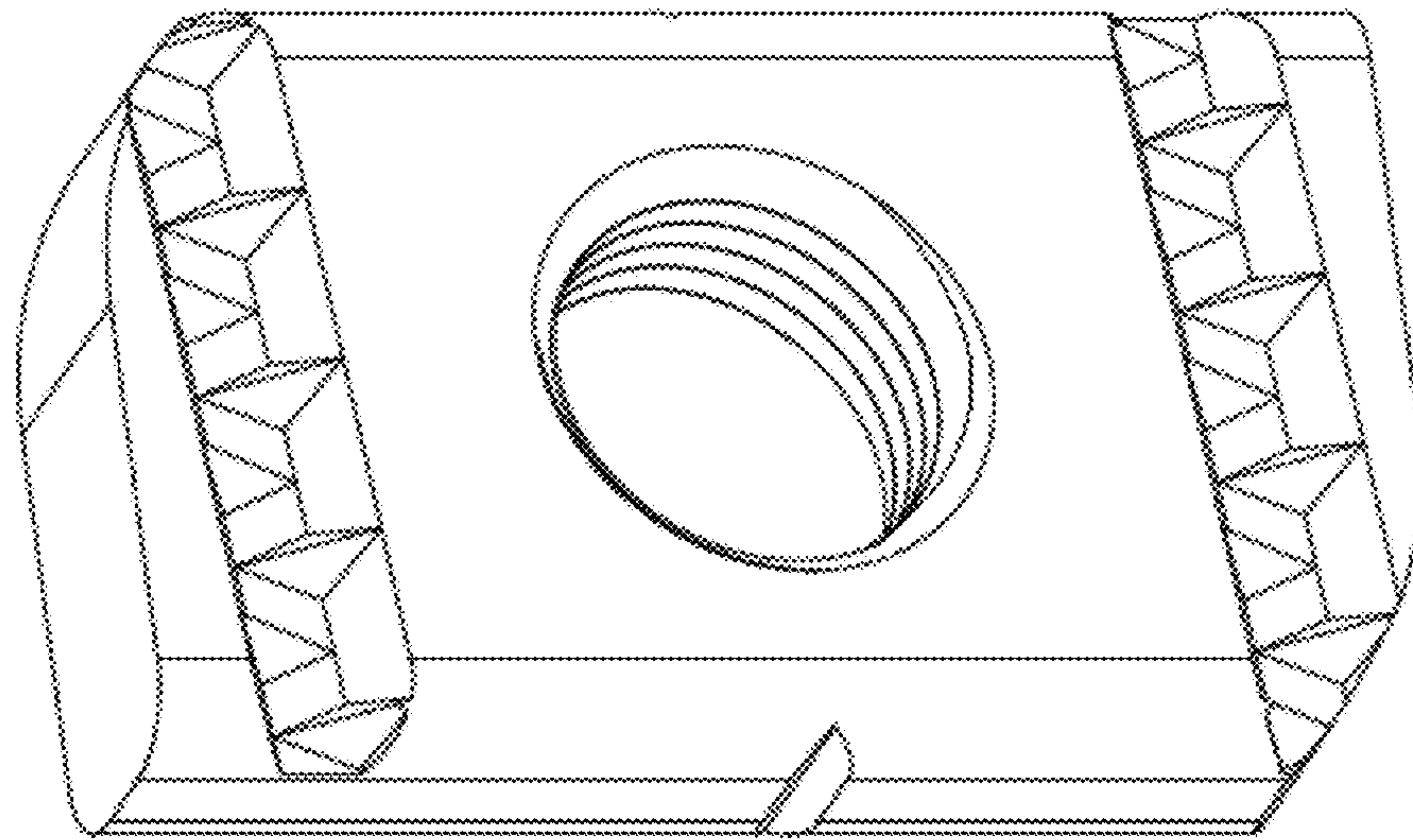


FIG. 9