



US00D721950S

(12) **United States Design Patent**
Quinlan et al.

(10) **Patent No.:** **US D721,950 S**

(45) **Date of Patent:** **** Feb. 3, 2015**

(54) **POLE CLAMP**

(75) Inventors: **David Quinlan**, Plantsville, CT (US);
Kai Hirsch, Cologne (DE)

(73) Assignee: **Unger Marketing International**,
Bridgeport, CT (US)

(**) Term: **14 Years**

(21) Appl. No.: **29/418,388**

(22) Filed: **Apr. 16, 2012**

(51) **LOC (10) Cl.** **08-08**

(52) **U.S. Cl.**
USPC **D8/396**

(58) **Field of Classification Search**
USPC D8/396; D23/265; 24/274 R, 279, 276;
285/252, 253, 410, 364, 407
See application file for complete search history.

(56) **References Cited**

U.S. PATENT DOCUMENTS

6,672,631	B1 *	1/2004	Weinhold	285/409
6,708,377	B2 *	3/2004	Maunder	24/279
D536,607	S *	2/2007	Bekkevold	D8/396
D577,423	S *	9/2008	Dole	D23/265
D661,981	S *	6/2012	Melino et al.	D8/396
8,196,971	B2 *	6/2012	Hansen	285/367
D672,229	S *	12/2012	Reid	D8/396

D700,835	S *	3/2014	Langlois et al.	D8/396
2002/0109355	A1 *	8/2002	Elliott	285/410
2005/0205722	A1 *	9/2005	Krueger	248/62

* cited by examiner

Primary Examiner — John Windmuller

(74) *Attorney, Agent, or Firm* — Ohlandt, Greeley, Ruggiero & Perle LLP

(57) **CLAIM**

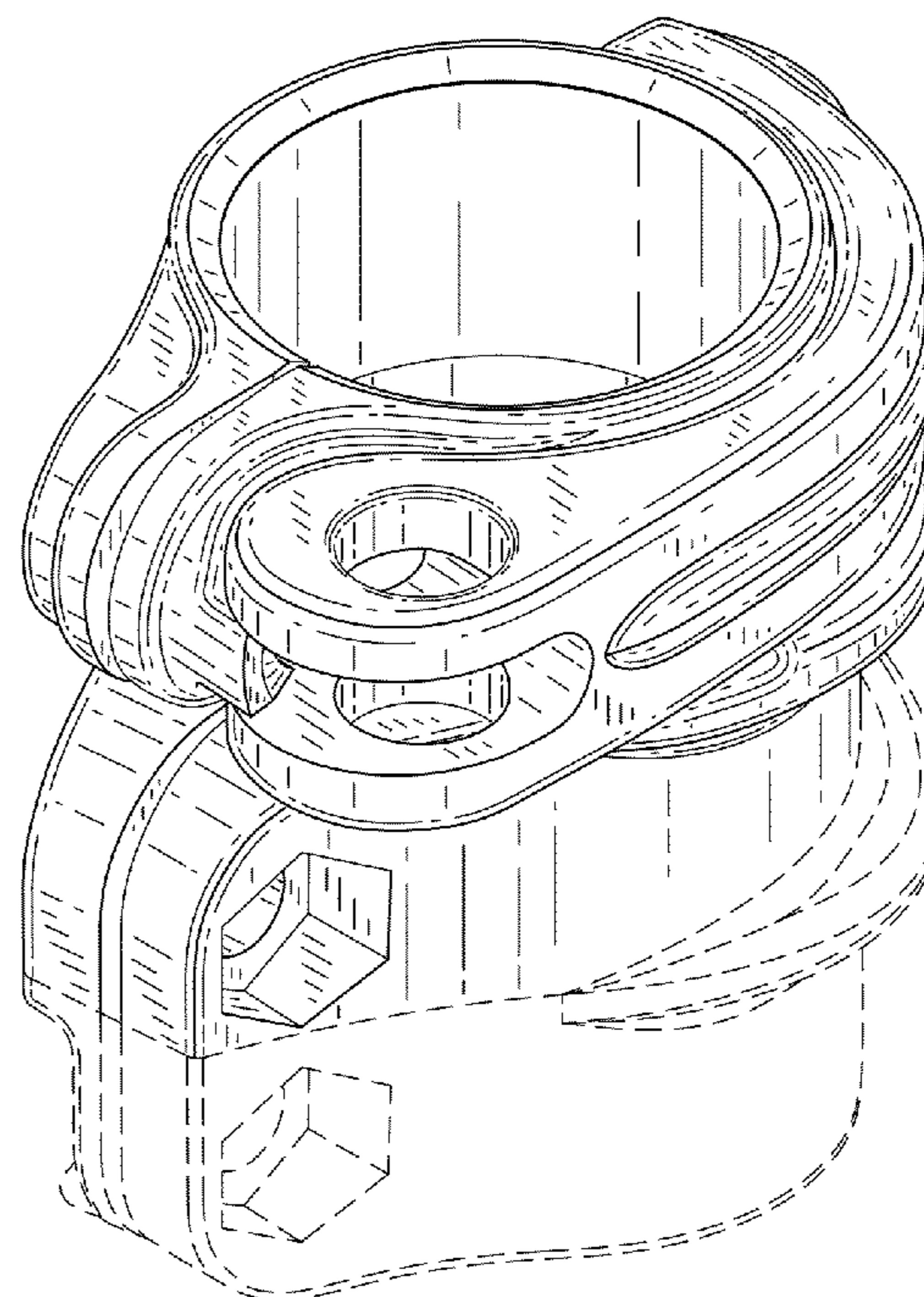
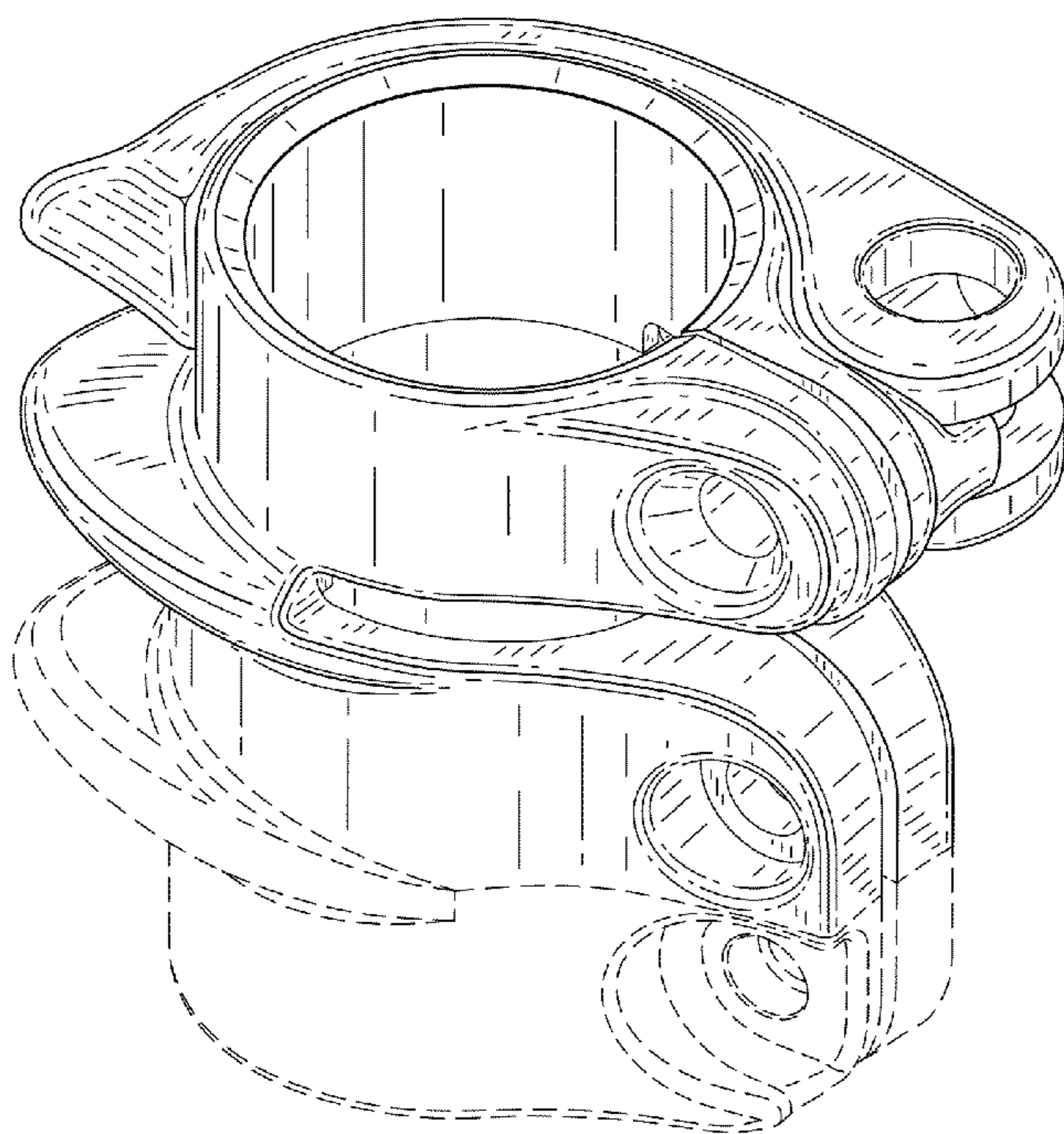
The ornamental design for the pole clamp, as shown and described.

DESCRIPTION

FIG. 1 is a top, front perspective view of a pole clamp according to the present disclosure;
FIG. 2 is another top, front perspective view of the pole clamp of FIG. 1;
FIG. 3 is a top, rear perspective view of the pole clamp of FIG. 2;
FIG. 4 is a front view of the pole clamp of FIG. 2;
FIG. 5 is a rear view of the pole clamp of FIG. 2;
FIG. 6 is a first side view of the pole clamp of FIG. 2;
FIG. 7 is a second side view of the pole clamp of FIG. 2; and,
FIG. 8 is a top view of the pole clamp of FIG. 2.

The broken lines in the drawings illustrating environmental structure or boundaries that form no part of the claimed design.

1 Claim, 6 Drawing Sheets



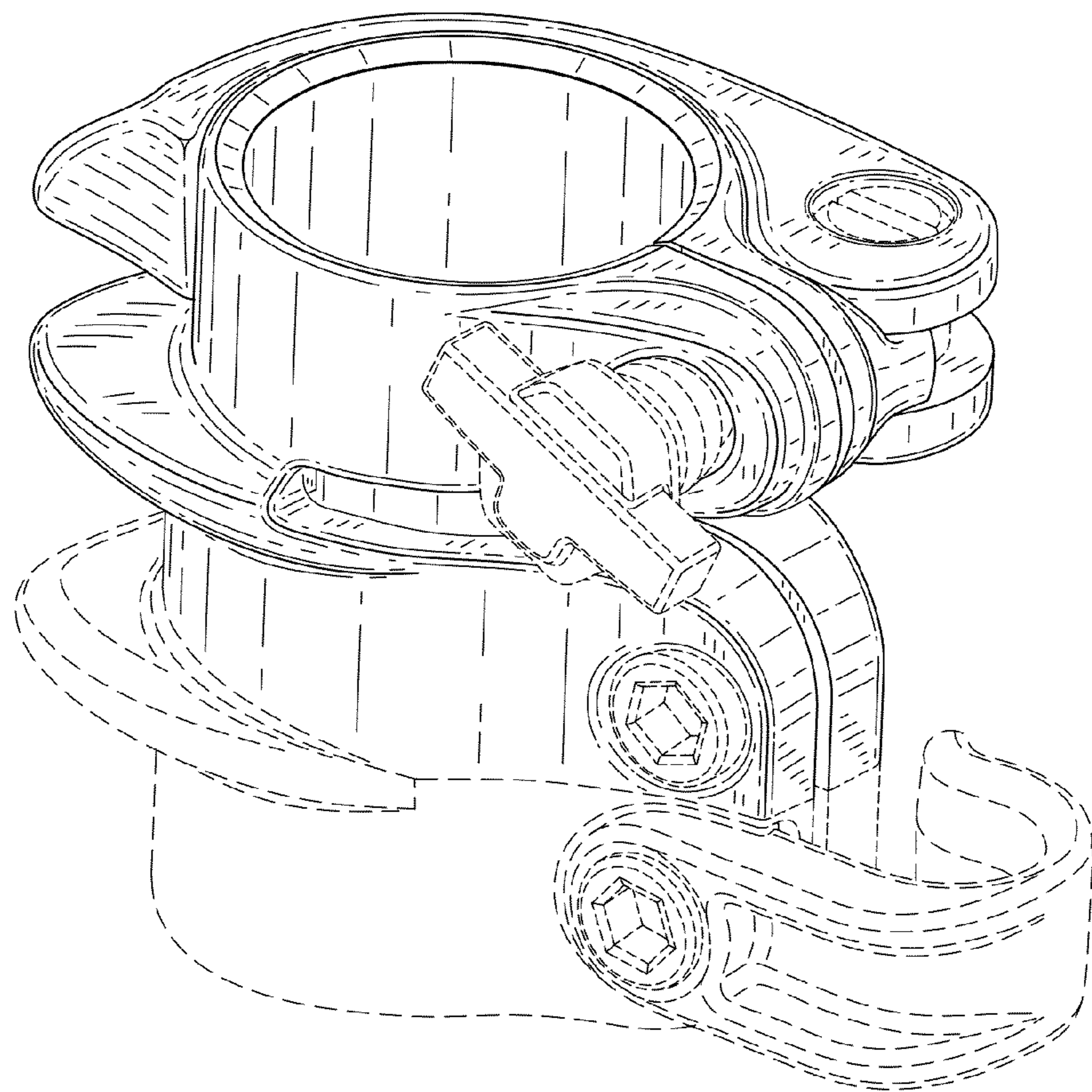


FIG. 1

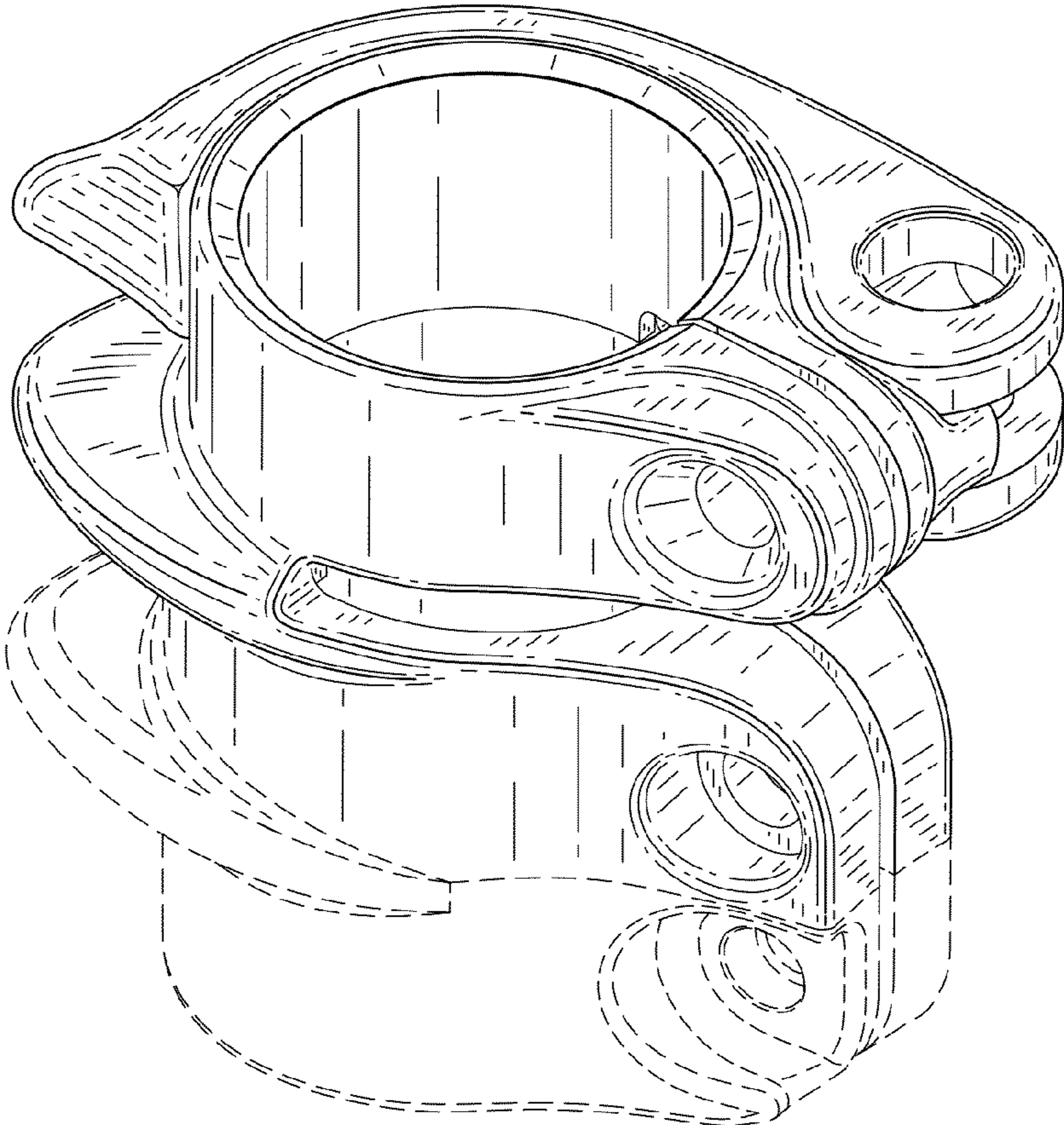


FIG. 2

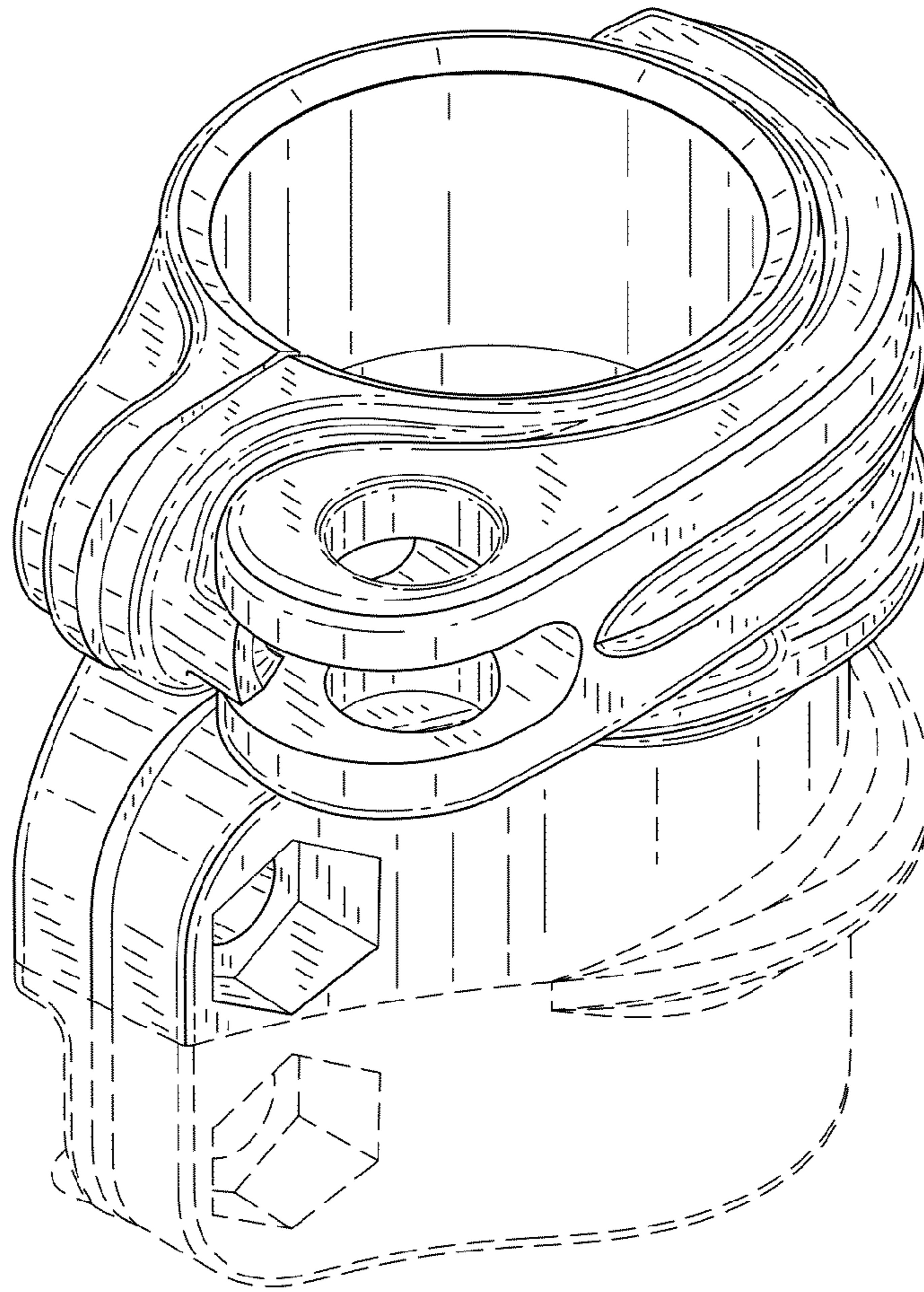


FIG. 3

FIG. 4

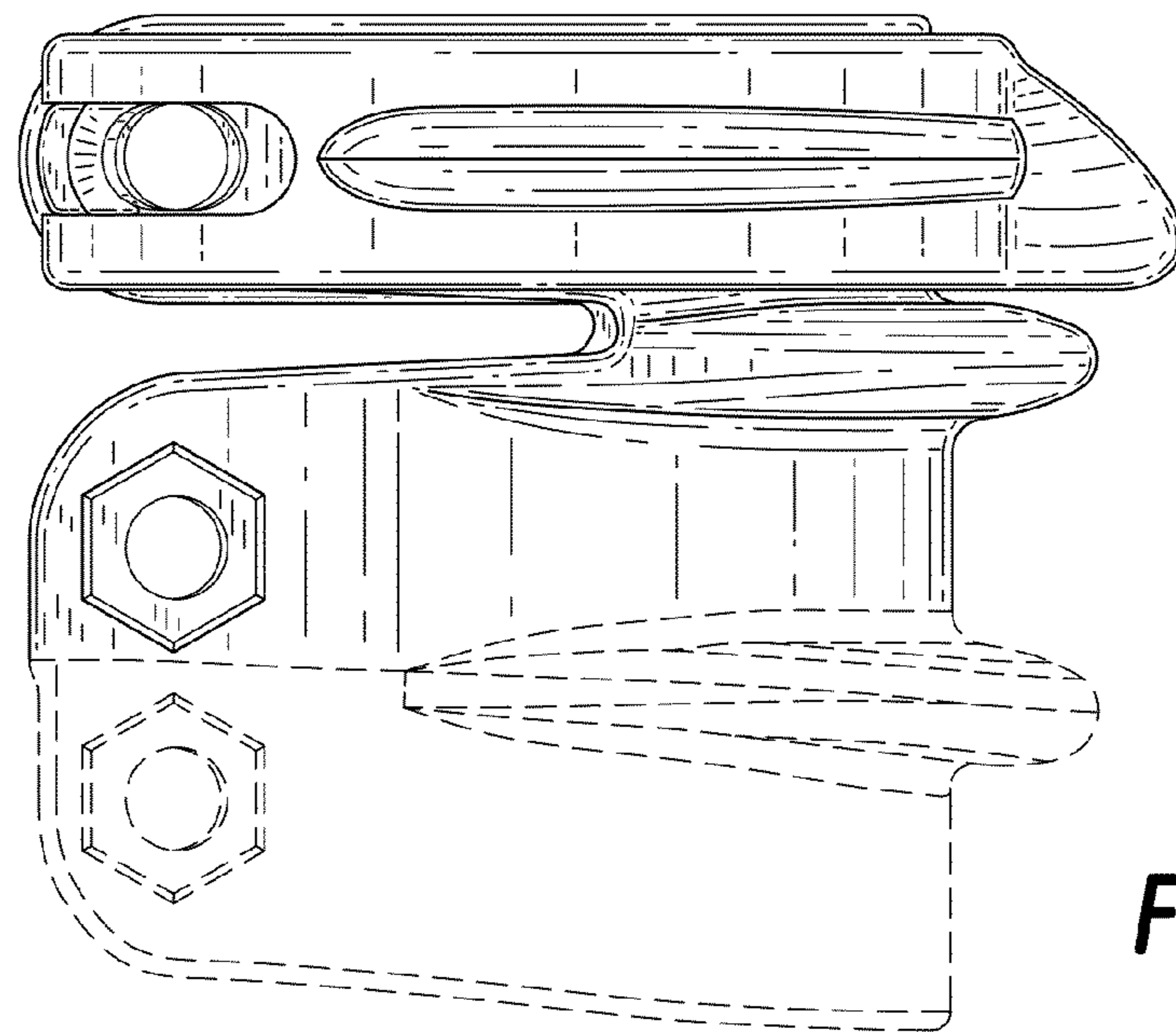
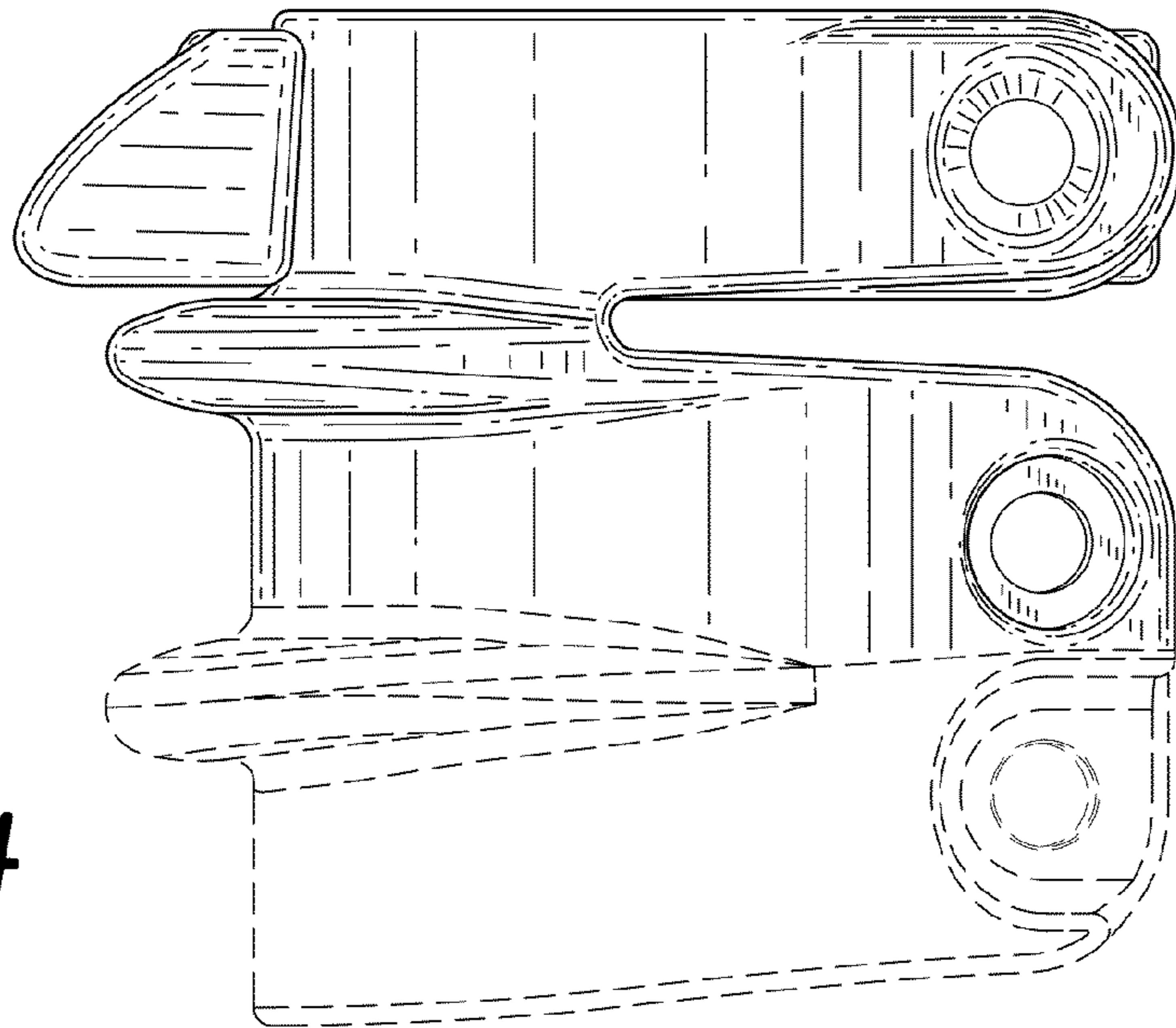


FIG. 5

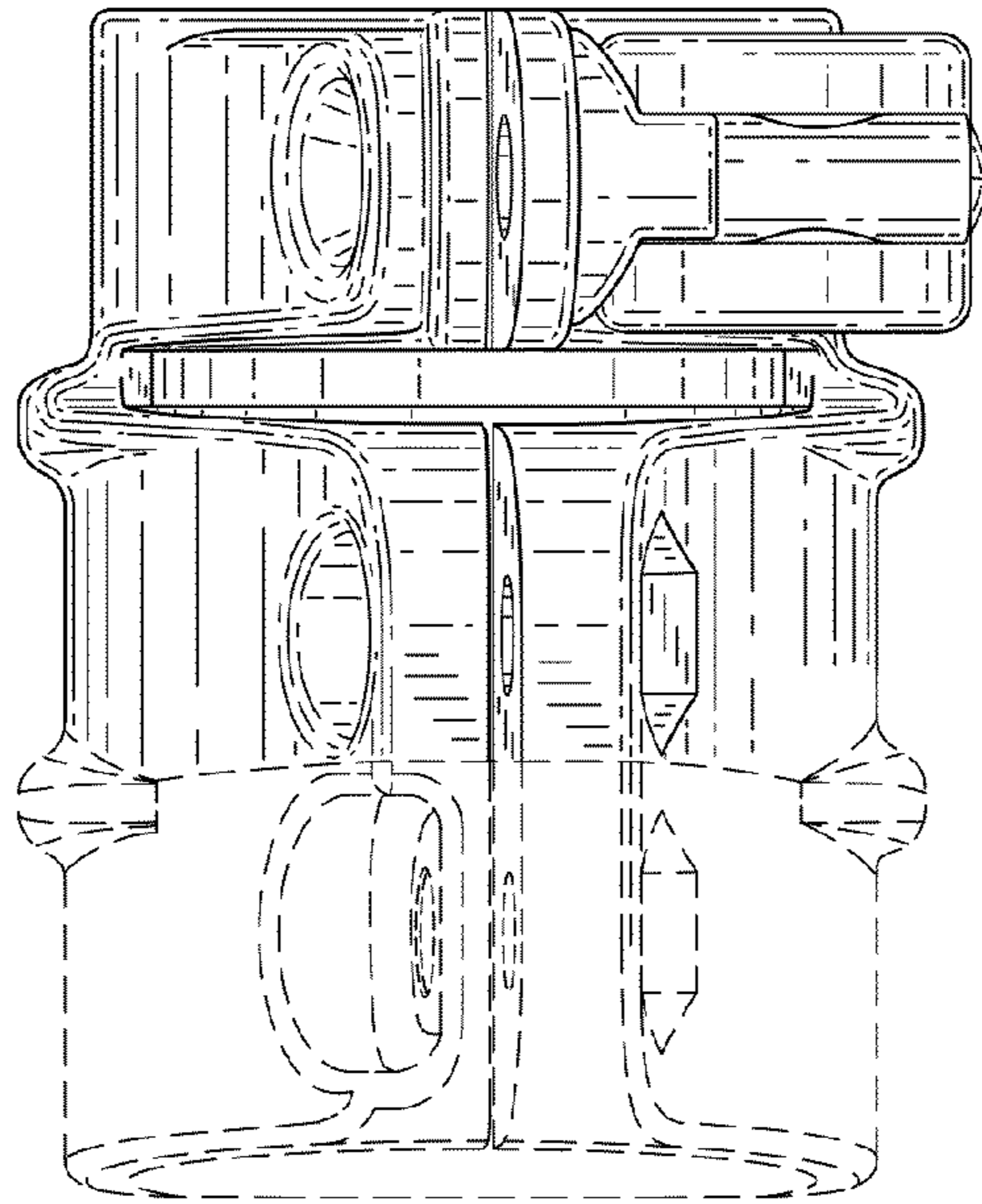


FIG. 6

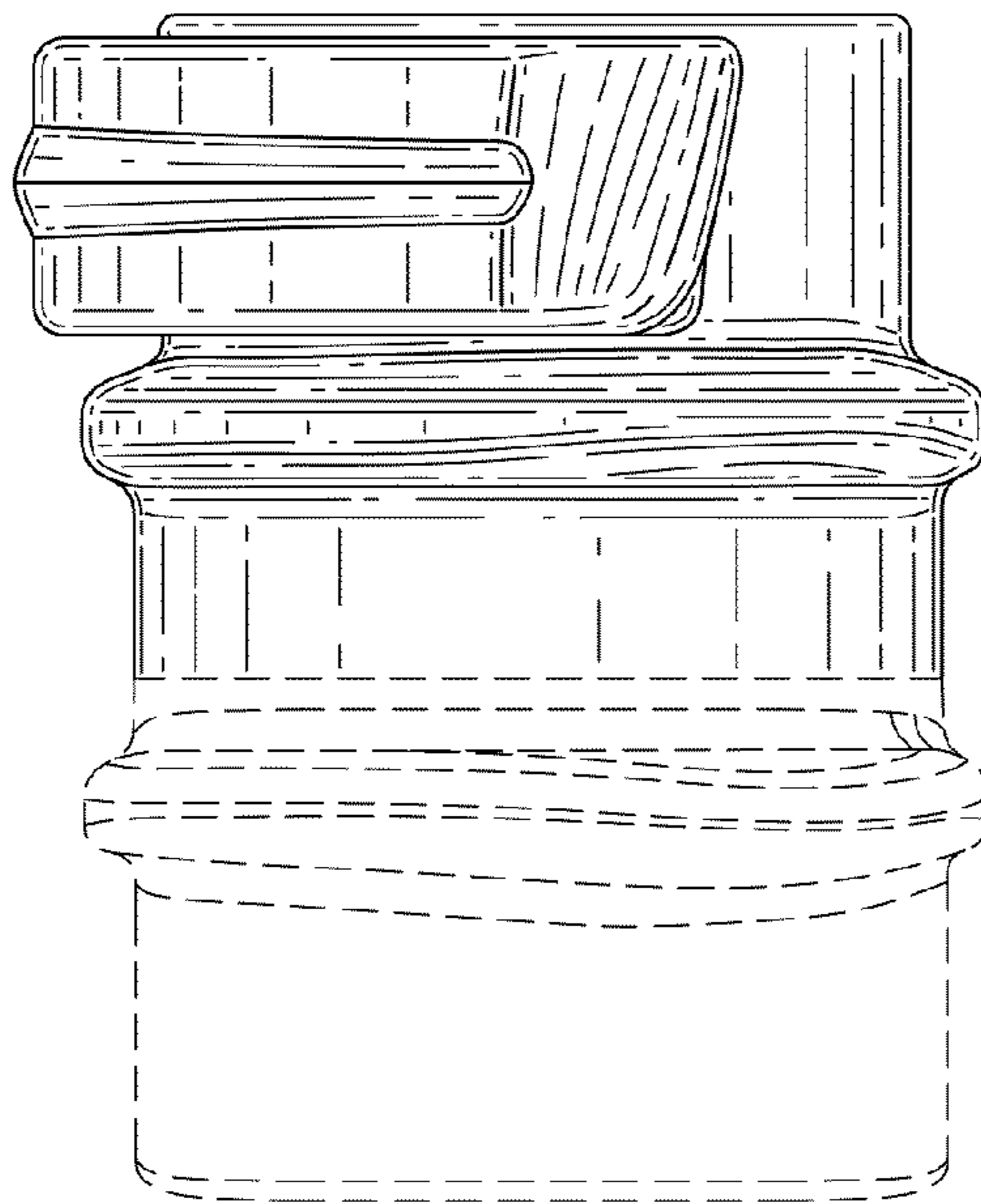


FIG. 7

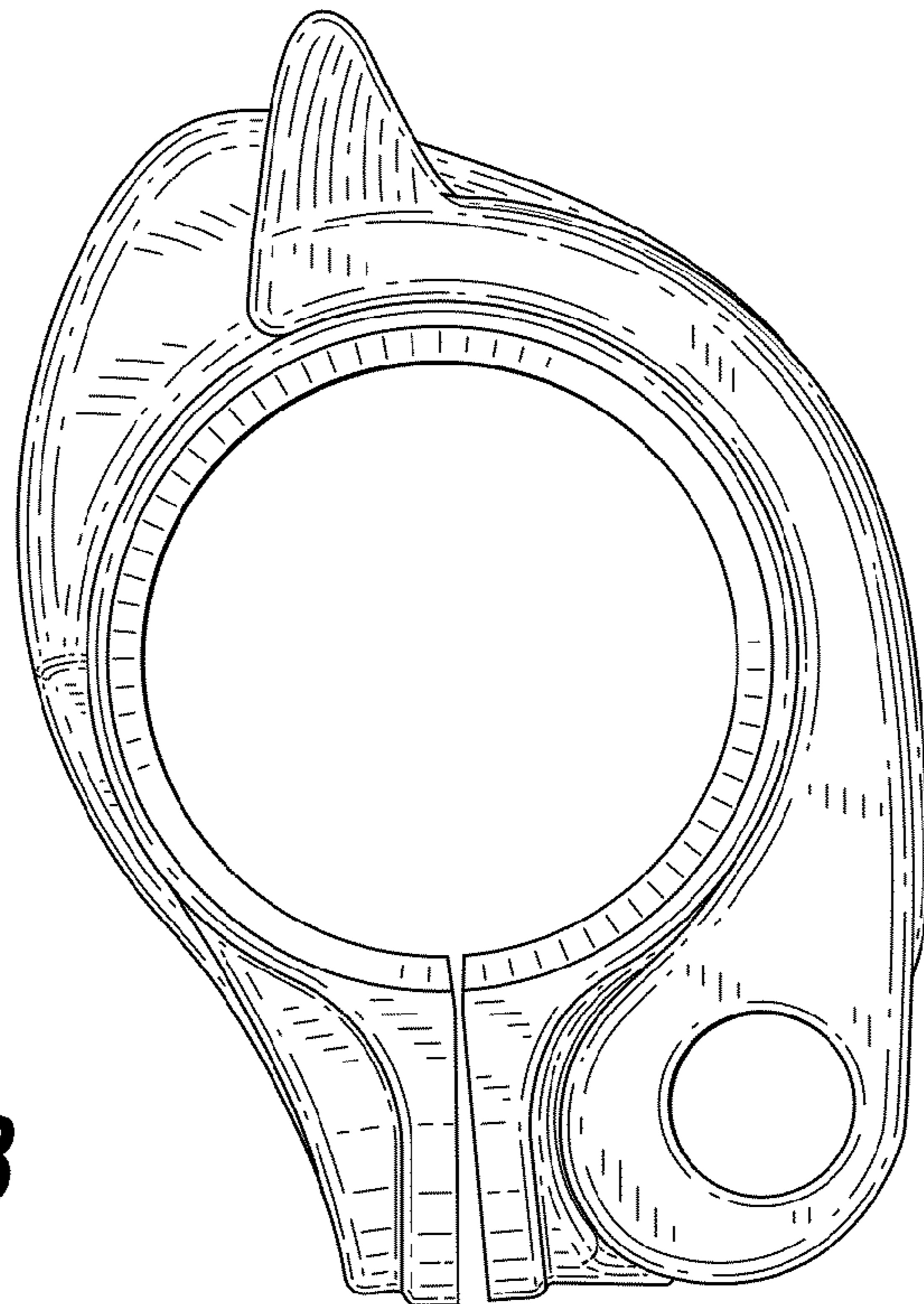


FIG. 8