



US00D721949S

(12) **United States Design Patent**
Kim et al.

(10) **Patent No.:** **US D721,949 S**

(45) **Date of Patent:** **** Feb. 3, 2015**

(54) **CLIP FOR CIRCUIT BOARD**

(56) **References Cited**

(71) Applicant: **Samsung Electronics Co., Ltd.**,
Suwon-si, Gyeonggi-do (KR)

(72) Inventors: **Keith Kim**, Hwaseong-si (KR);
Yeon-Woo Kim, Suwon-si (KR);
Gyu-Sub Kim, Seoul (KR); **Se-Hyun**
Park, Suwon-si (KR); **Jin-Woo Jung**,
Seoul (KR); **Brian Cheon**, Ulsan (KR)

(73) Assignee: **Samsung Electronics Co., Ltd.** (KR)

(**) Term: **14 Years**

U.S. PATENT DOCUMENTS

D264,682	S	*	6/1982	Van Doren	D8/354
4,646,395	A	*	3/1987	Mayszak	24/135 R
D309,893	S	*	8/1990	Endo et al.	D13/156
4,998,277	A	*	3/1991	Rioux, Jr.	379/454
D317,299	S	*	6/1991	Sugiyama et al.	D13/154
5,343,547	A	*	8/1994	Palecek et al.	385/76
D383,380	S	*	9/1997	Kempf et al.	D8/395
D432,404	S	*	10/2000	Garfinkle	D8/395
7,131,170	B2	*	11/2006	Weaver	24/545
D547,170	S	*	7/2007	Cox et al.	D8/395
D603,781	S	*	11/2009	Jimenez	D12/223
7,793,390	B2	*	9/2010	Mills et al.	24/129 R
D637,900	S	*	5/2011	Paik	D8/395
D653,941	S	*	2/2012	Yasher	D8/395
D654,782	S	*	2/2012	Peng	D8/367
D696,106	S	*	12/2013	Tachibana	D8/395

(21) Appl. No.: **29/490,402**

* cited by examiner

(22) Filed: **May 9, 2014**

Primary Examiner — John Windmuller

(30) **Foreign Application Priority Data**

(74) *Attorney, Agent, or Firm* — Cantor Colburn LLP

Jan. 3, 2014 (KR) 30-2014-0000293

(57) **CLAIM**

We claim, the ornamental design for a clip for circuit board, as shown and described.

(51) **LOC (10) Cl.** **08-08**

DESCRIPTION

(52) **U.S. Cl.**
USPC **D8/395**

FIG. 1 is a front perspective view of a clip for circuit board showing our new design;
FIG. 2 is a front view thereof;
FIG. 3 is a rear view thereof;
FIG. 4 is a side view thereof;
FIG. 5 is another side view thereof;
FIG. 6 is a top view thereof;
FIG. 7 is a bottom view thereof; and,
FIG. 8 is another front perspective view thereof.

(58) **Field of Classification Search**
USPC D8/354, 356, 371, 394–396; D19/65,
D19/86; D24/128; 248/74.2, 215, 227.1, 49,
248/300, 301, 316.7, 51, 489; 24/570, 3.12;
D32/61; D11/78.1; D3/215

See application file for complete search history.

1 Claim, 4 Drawing Sheets

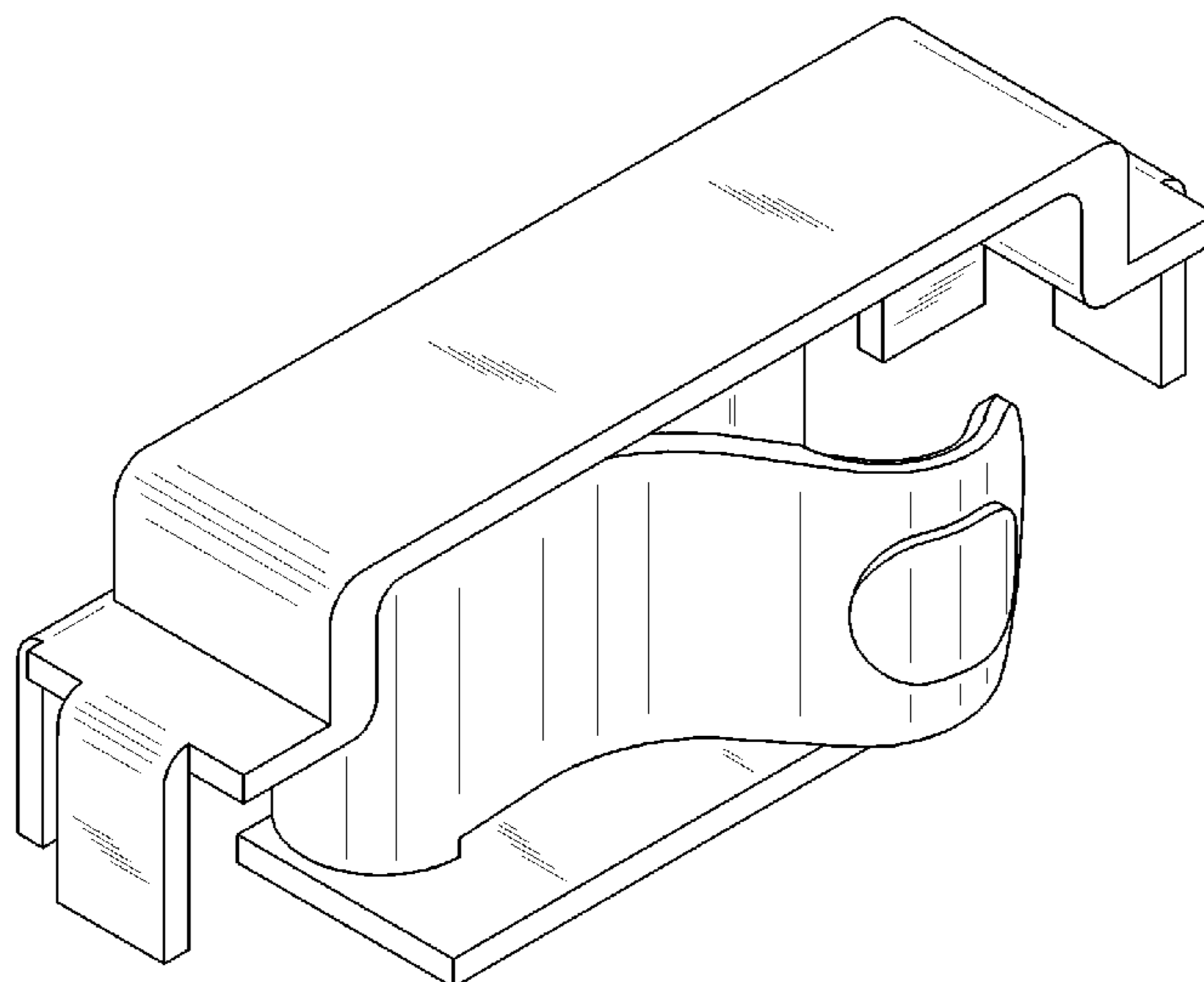


FIG.1

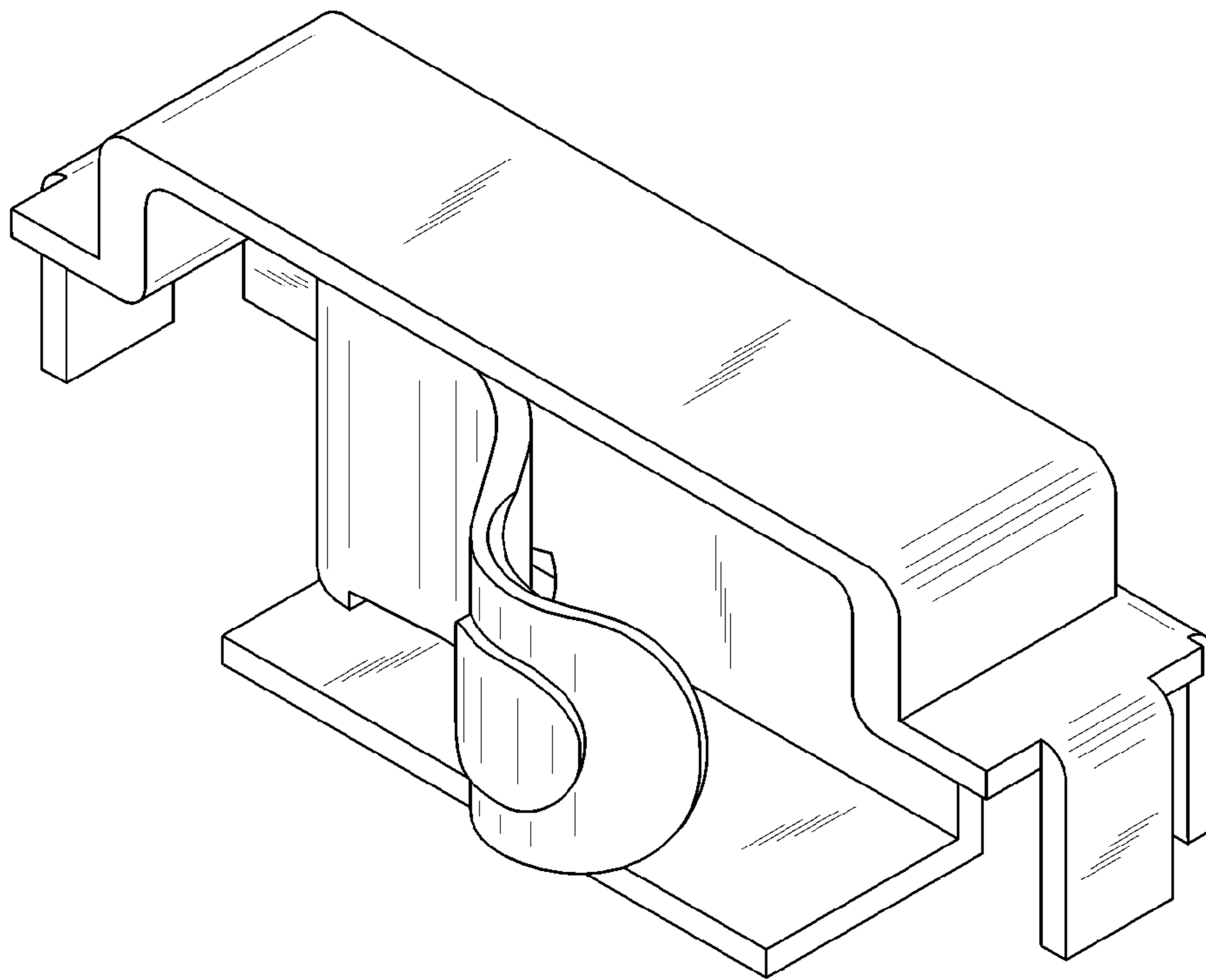


FIG.2

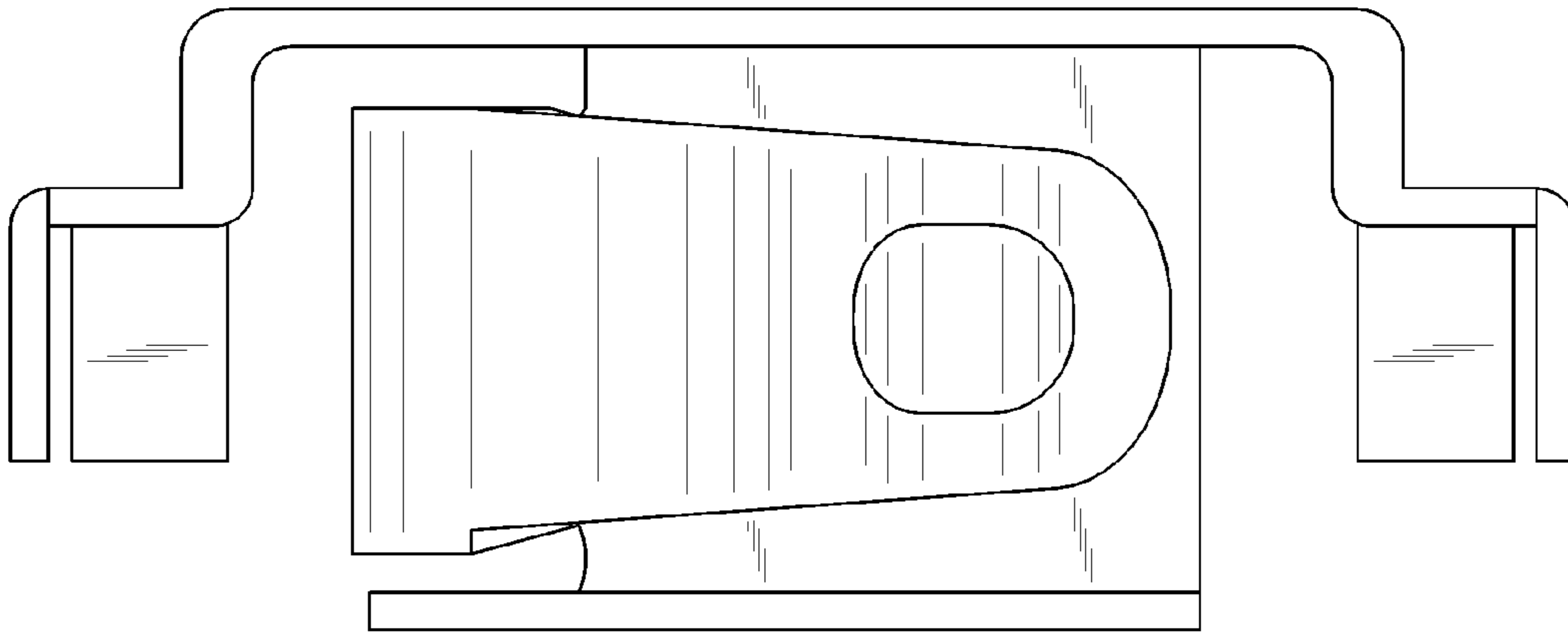


FIG.3

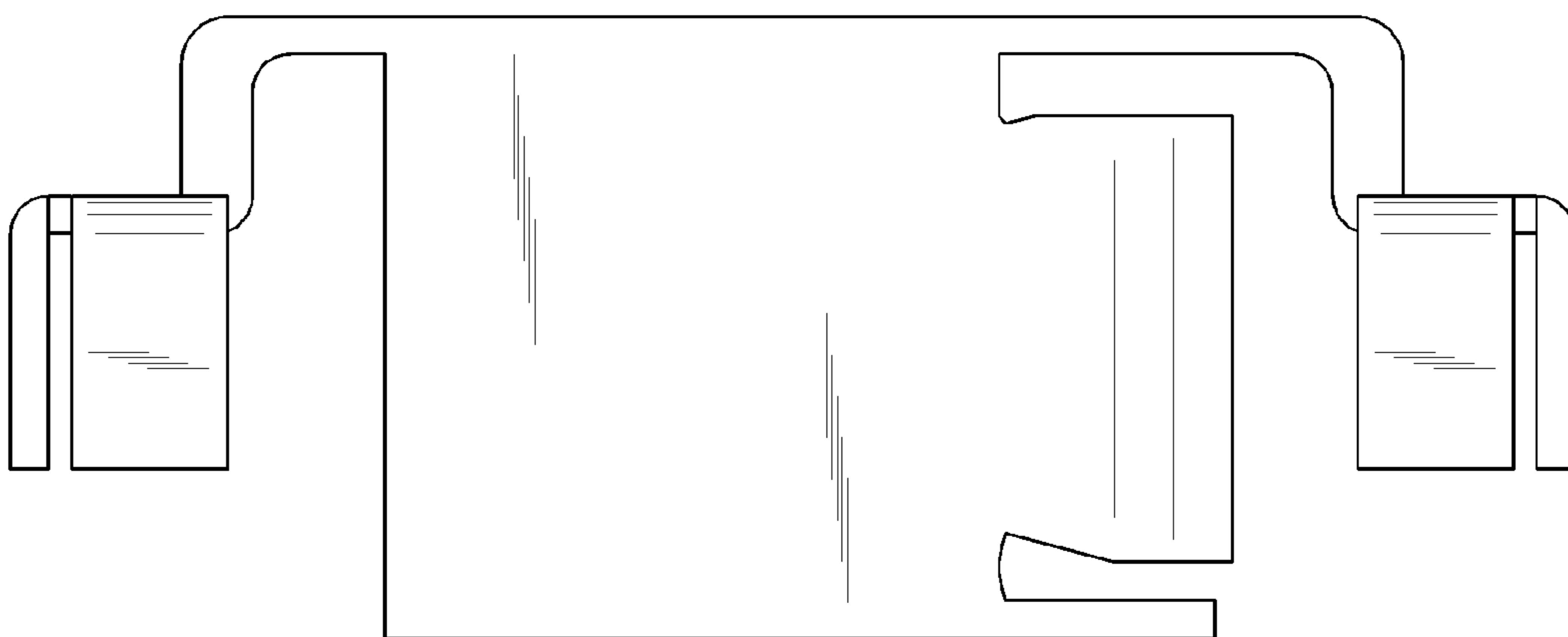


FIG.4

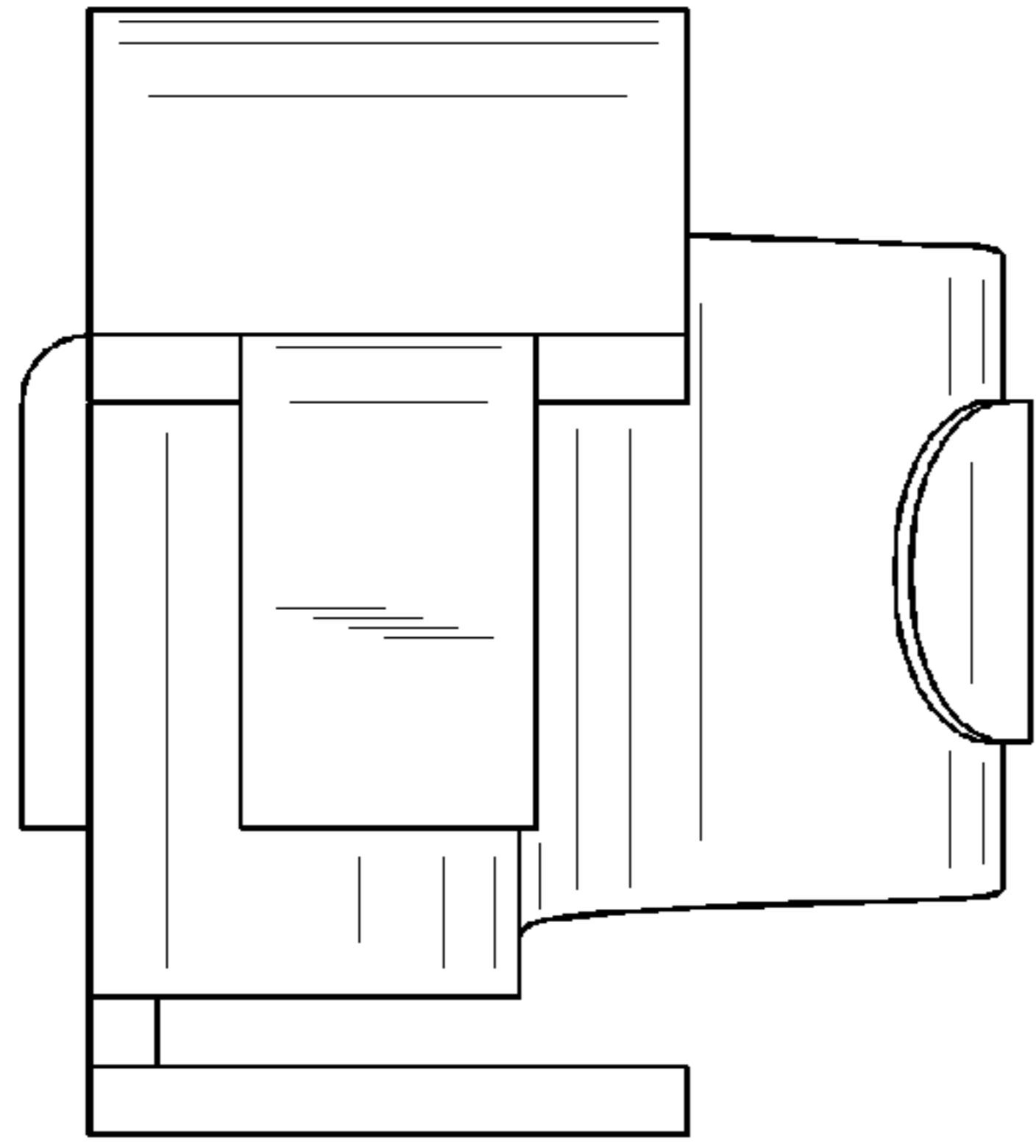


FIG.5

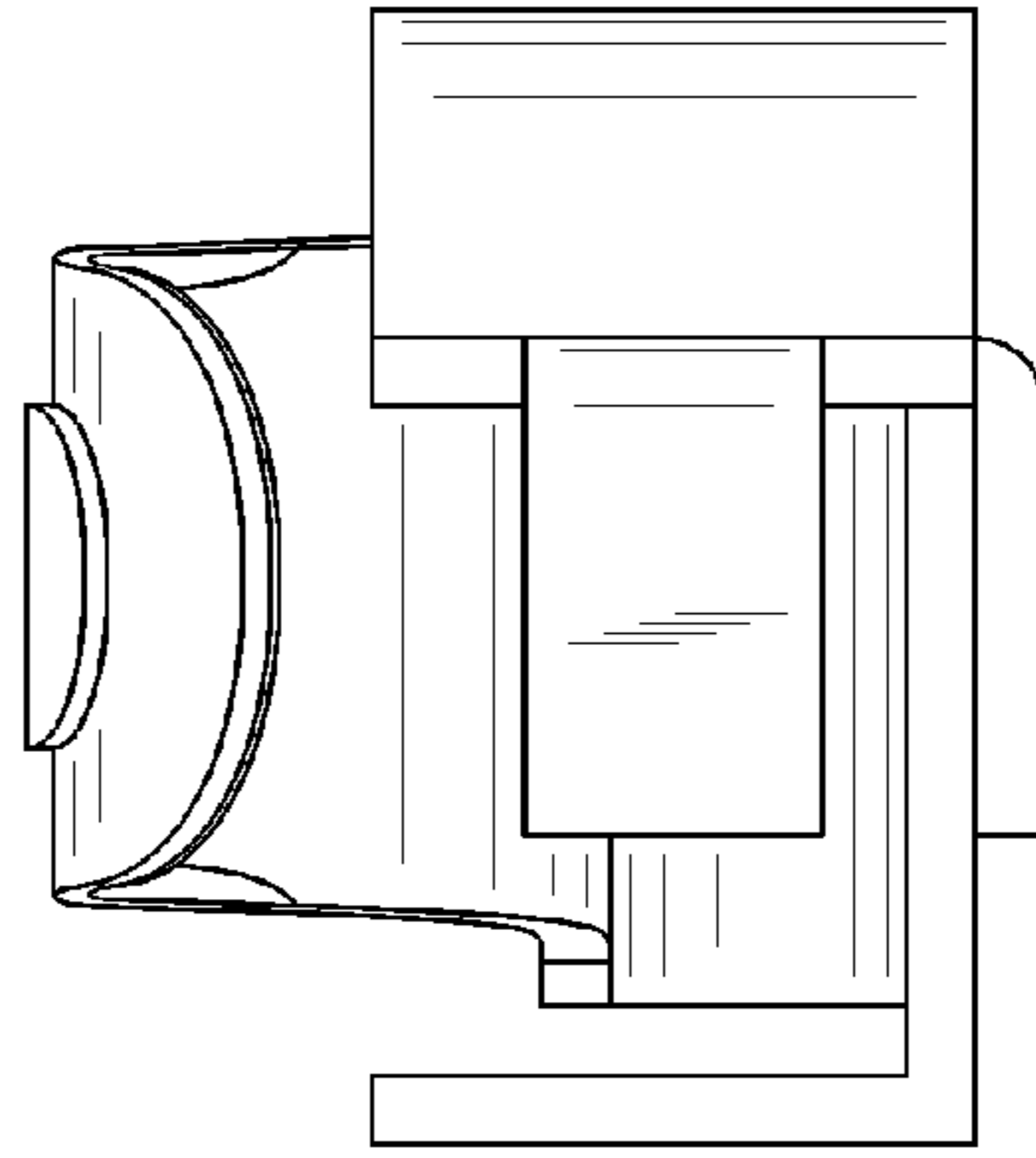


FIG.6

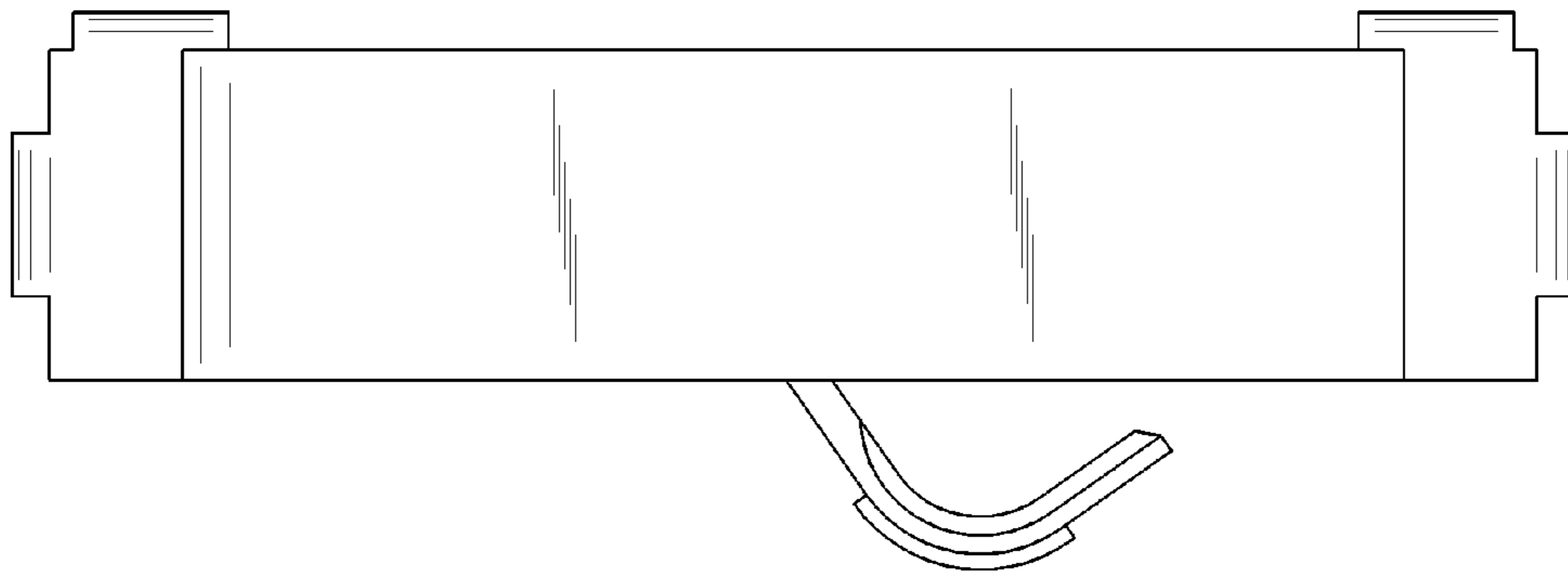


FIG.7

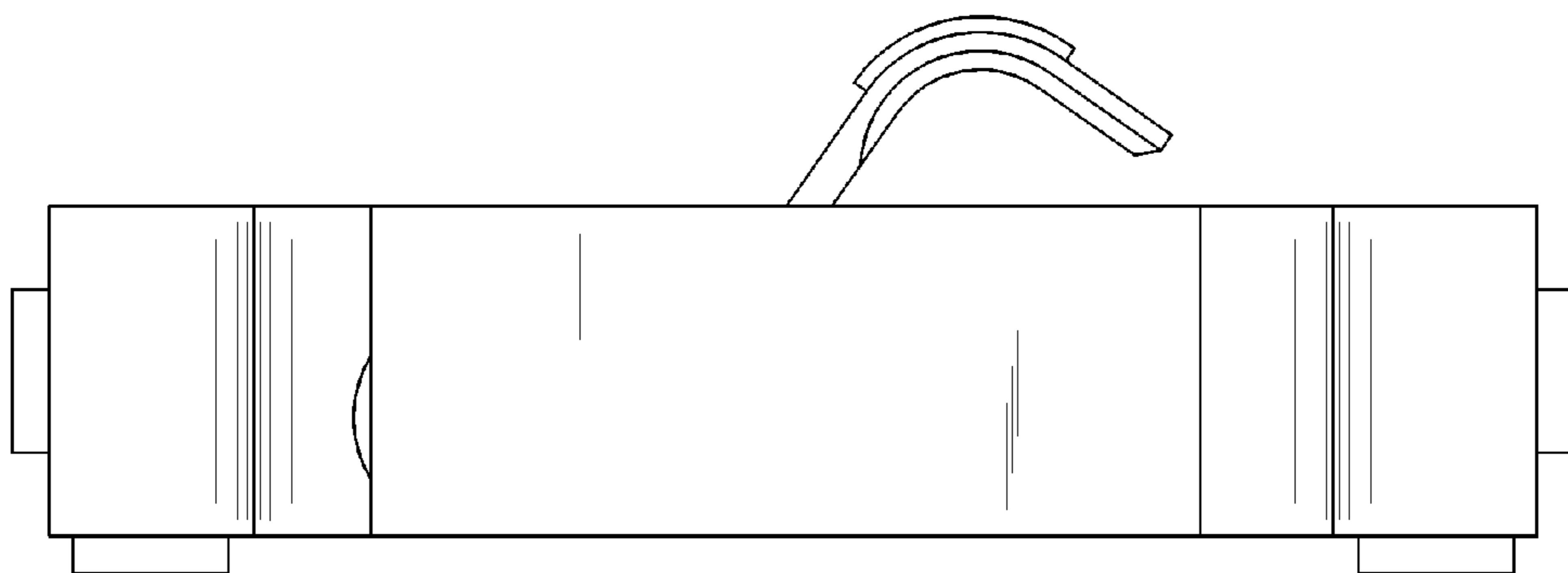


FIG.8

