



US00D721947S

(12) **United States Design Patent**
Wendt

(10) **Patent No.:** **US D721,947 S**
(45) **Date of Patent:** **** Feb. 3, 2015**

- (54) **CONNECTING ELEMENT**
- (71) Applicant: **PilePro LLC**, Austin, TX (US)
- (72) Inventor: **Roberto Redondo Wendt**, Austin, TX (US)
- (73) Assignee: **PilePro LLC**, Austin, TX (US)
- (**) Term: **14 Years**
- (21) Appl. No.: **29/470,500**
- (22) Filed: **Oct. 22, 2013**

D527,619 S	9/2006	Heindl et al.	
D541,638 S	5/2007	Heindl	
D542,633 S	5/2007	Heindl	
D542,643 S	5/2007	Heindl	
D543,097 S	5/2007	Heindl	
D543,100 S	5/2007	Heindl	
D543,101 S	5/2007	Heindl	
D621,248 S	8/2010	Heindl	
D626,828 S *	11/2010	Austro	D8/382
D640,534 S	6/2011	Austro	
8,047,745 B2 *	11/2011	Heindl	405/279
D681,425 S *	5/2013	Heindl	D8/382
D689,205 S *	9/2013	Guertin	D25/121
2005/0238443 A1	10/2005	Heindl et al.	

* cited by examiner

- (30) **Foreign Application Priority Data**
- Apr. 22, 2013 (DE) 40 2013 001 869
- (51) **LOC (10) Cl.** **08-08**
- (52) **U.S. Cl.**
- USPC **D8/382**
- (58) **Field of Classification Search**
- USPC D8/382, 394-395; D25/121, 119, 61;
405/274, 277, 278-279; 24/370, 346,
24/573.09
- See application file for complete search history.

Primary Examiner — Sheryl Lane

(74) *Attorney, Agent, or Firm* — Merchant & Gould P.C.

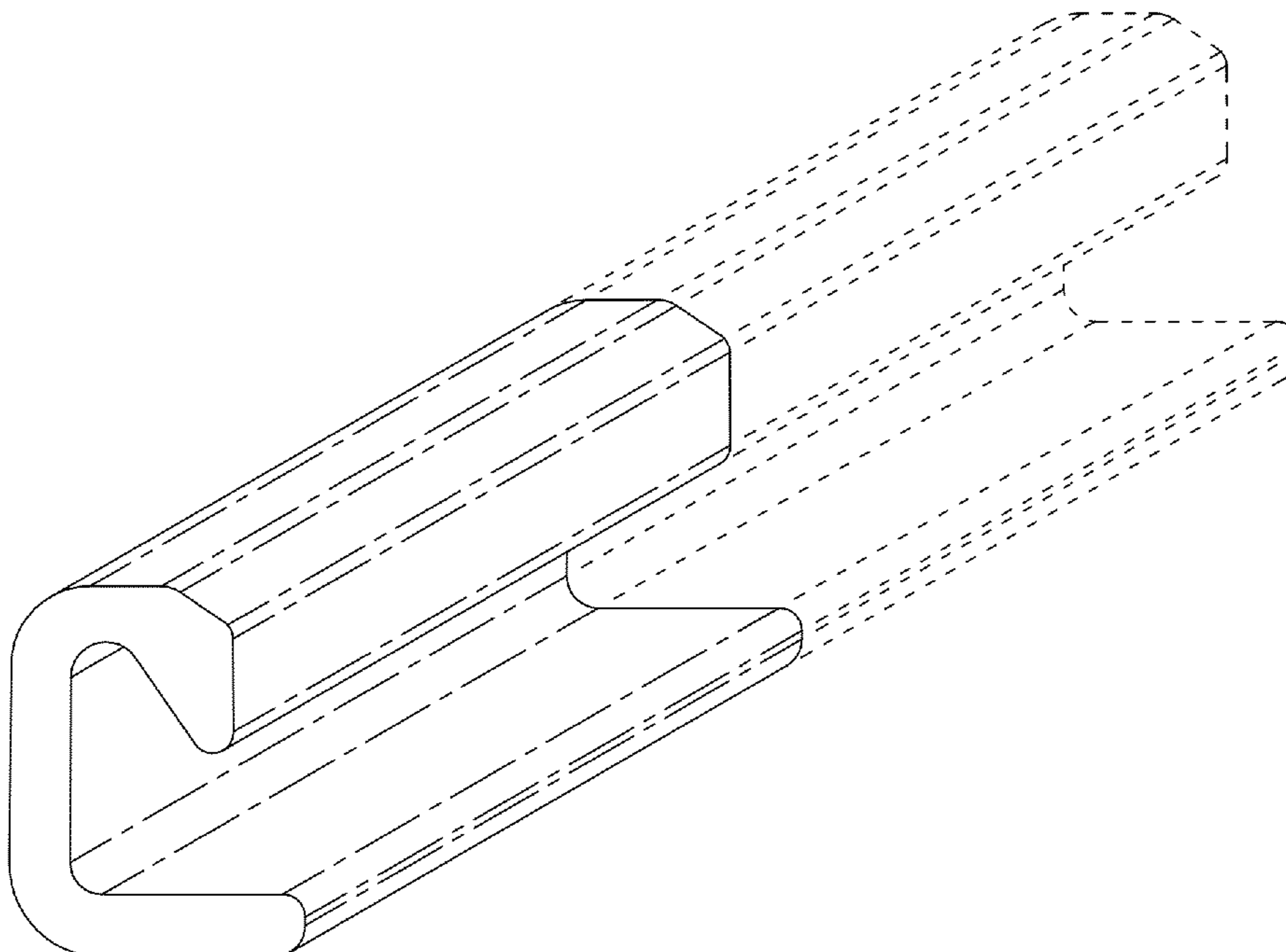
(57) **CLAIM**
The ornamental design for connecting element, as shown and described.

DESCRIPTION

FIG. 1 is a perspective view of showing my design thereof; FIG. 2 is an end view, the opposite end view being a mirror image; FIG. 3 is a front view; FIG. 4 is a rear view; FIG. 5 is a top view; and, FIG. 6 bottom view of thereof. The broken lines represent environment and form no part of the claimed design.

- (56) **References Cited**
- U.S. PATENT DOCUMENTS
- D465,288 S 11/2002 Wall
- D471,793 S 3/2003 Wall
- D526,888 S 8/2006 Heindl

1 Claim, 6 Drawing Sheets



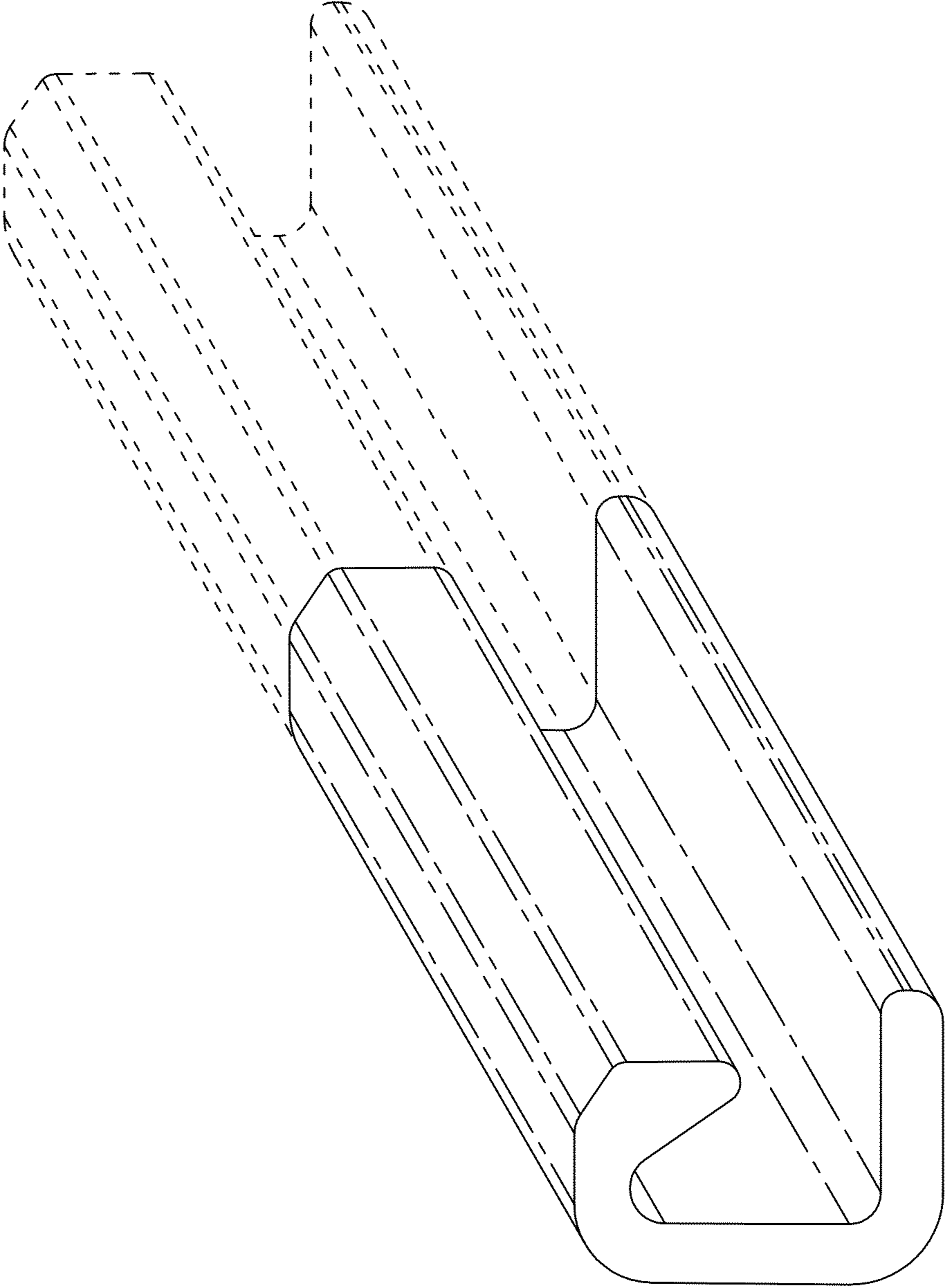


FIG. 1

FIG. 2

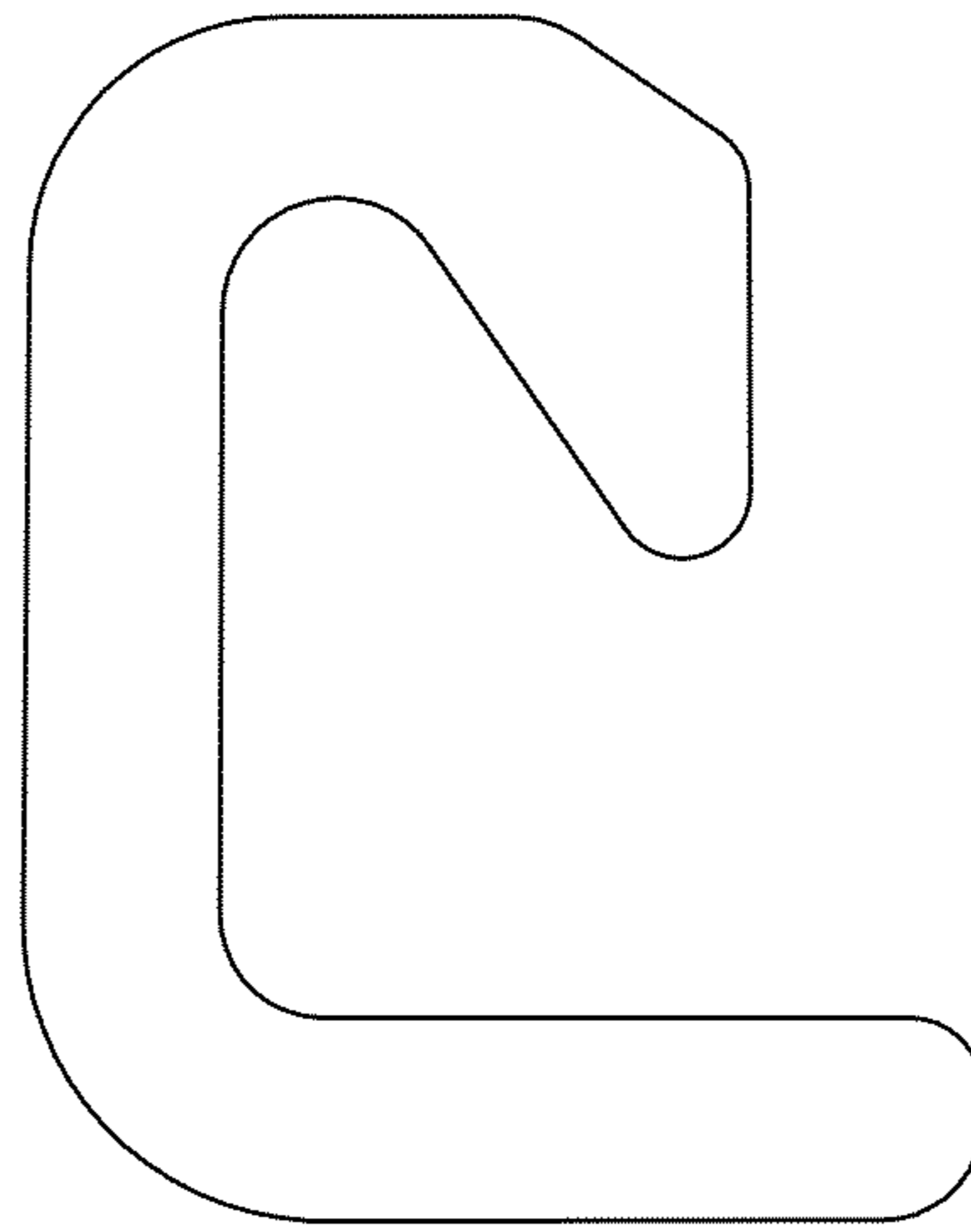
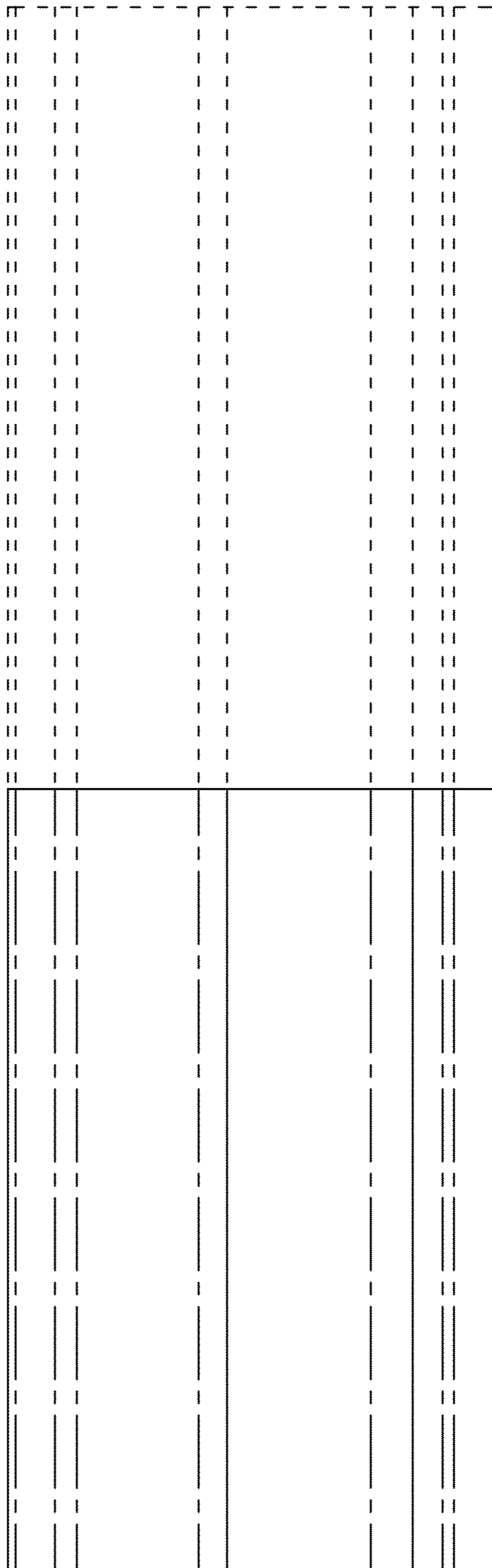


FIG. 3



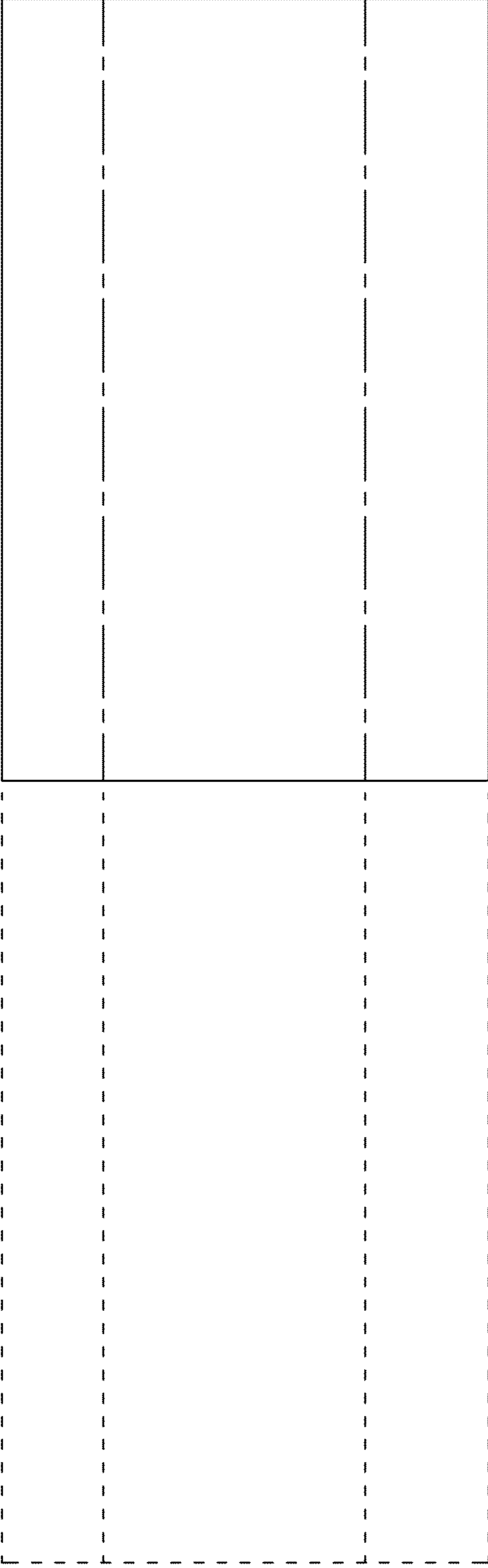


FIG. 4

FIG. 5

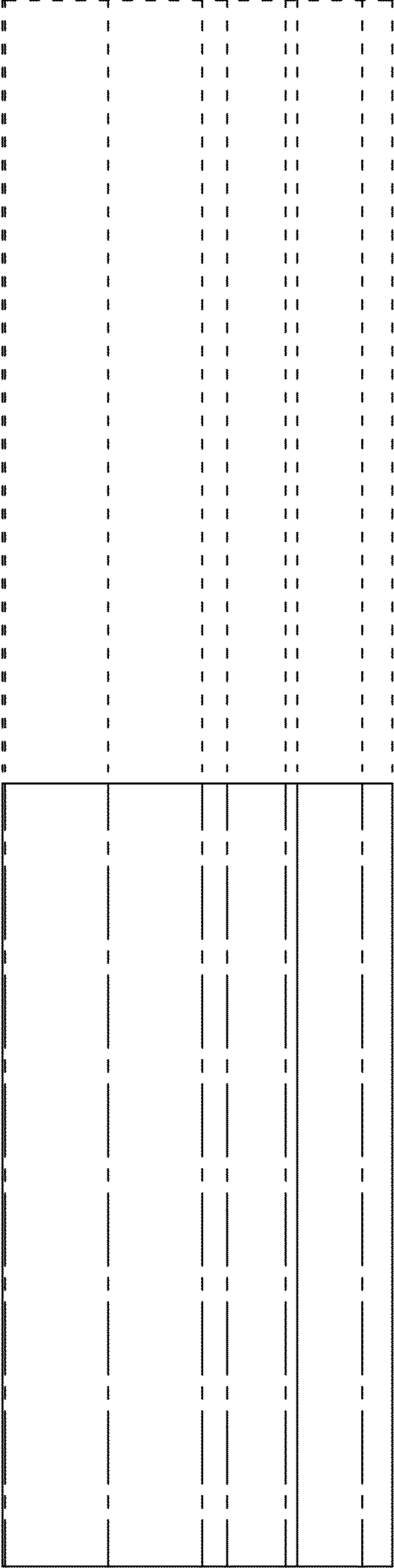


FIG. 6

