



US00D721946S

(12) **United States Design Patent**
Wendt

(10) **Patent No.:** **US D721,946 S**
(45) **Date of Patent:** **** Feb. 3, 2015**

(54) **CONNECTING ELEMENT**

(71) Applicant: **PilePro LLC**, Creedmoor, Austin, TX
(US)

(72) Inventor: **Roberto Redondo Wendt**, Austin, TX
(US)

(73) Assignee: **PilePro LLC**, Austin, TX (US)

(**) Term: **14 Years**

(21) Appl. No.: **29/470,498**

(22) Filed: **Oct. 22, 2013**

(30) **Foreign Application Priority Data**

Apr. 22, 2013 (DE) 40 2013 001 869

(51) **LOC (10) Cl.** **08-08**

(52) **U.S. Cl.**
USPC **D8/382**

(58) **Field of Classification Search**
USPC D8/382, 394-395; D25/121, 119, 61;
405/274, 277, 278-279; 24/370, 346,
24/573.09

See application file for complete search history.

(56) **References Cited**

U.S. PATENT DOCUMENTS

D465,288 S *	11/2002	Wall	D25/61
D621,247 S	8/2010	Heindl		
D621,248 S	8/2010	Heindl		
D622,579 S	8/2010	Heindl		
D626,828 S *	11/2010	Austro	D8/382
D649,443 S	11/2011	Heindl		
8,047,745 B2 *	11/2011	Heindl	405/279
D665,659 S	8/2012	Heindl		
D681,425 S *	5/2013	Heindl	D8/382
D689,205 S *	9/2013	Guertin	D25/121
D697,390 S	1/2014	Petry		

* cited by examiner

Primary Examiner — Sheryl Lane

(74) *Attorney, Agent, or Firm* — Merchant & Gould P.C.

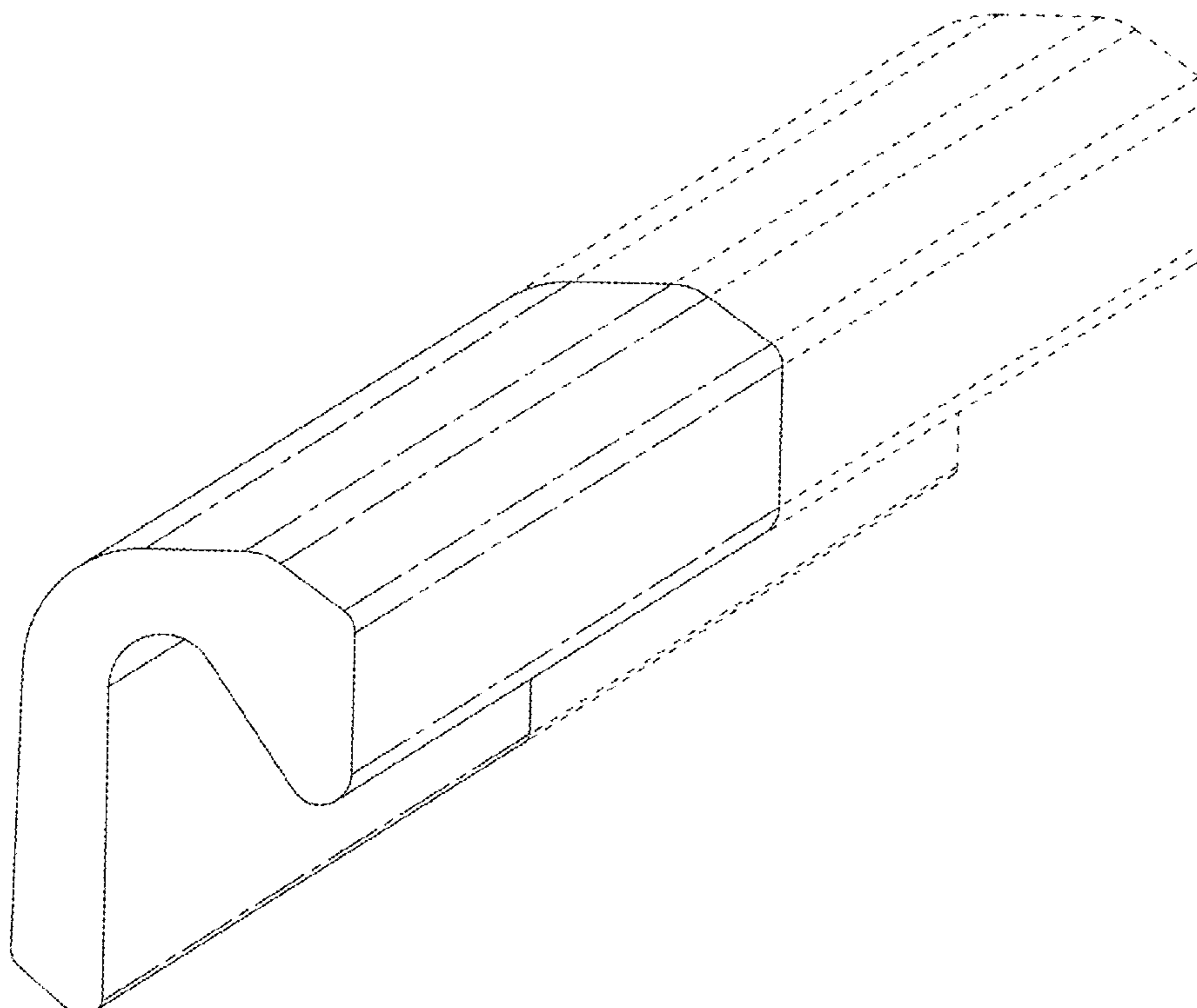
(57) **CLAIM**

The ornamental design for connecting element, as shown and described.

DESCRIPTION

FIG. 1 is a perspective view of showing my design thereof;
FIG. 2 is an end view, the opposite view being a mirror image;
FIG. 3 is a front view;
FIG. 4 is a rear view;
FIG. 5 is a top view; and,
FIG. 6 bottom view of thereof.
The broken lines represent environment and form no part of
the claimed design.

1 Claim, 6 Drawing Sheets



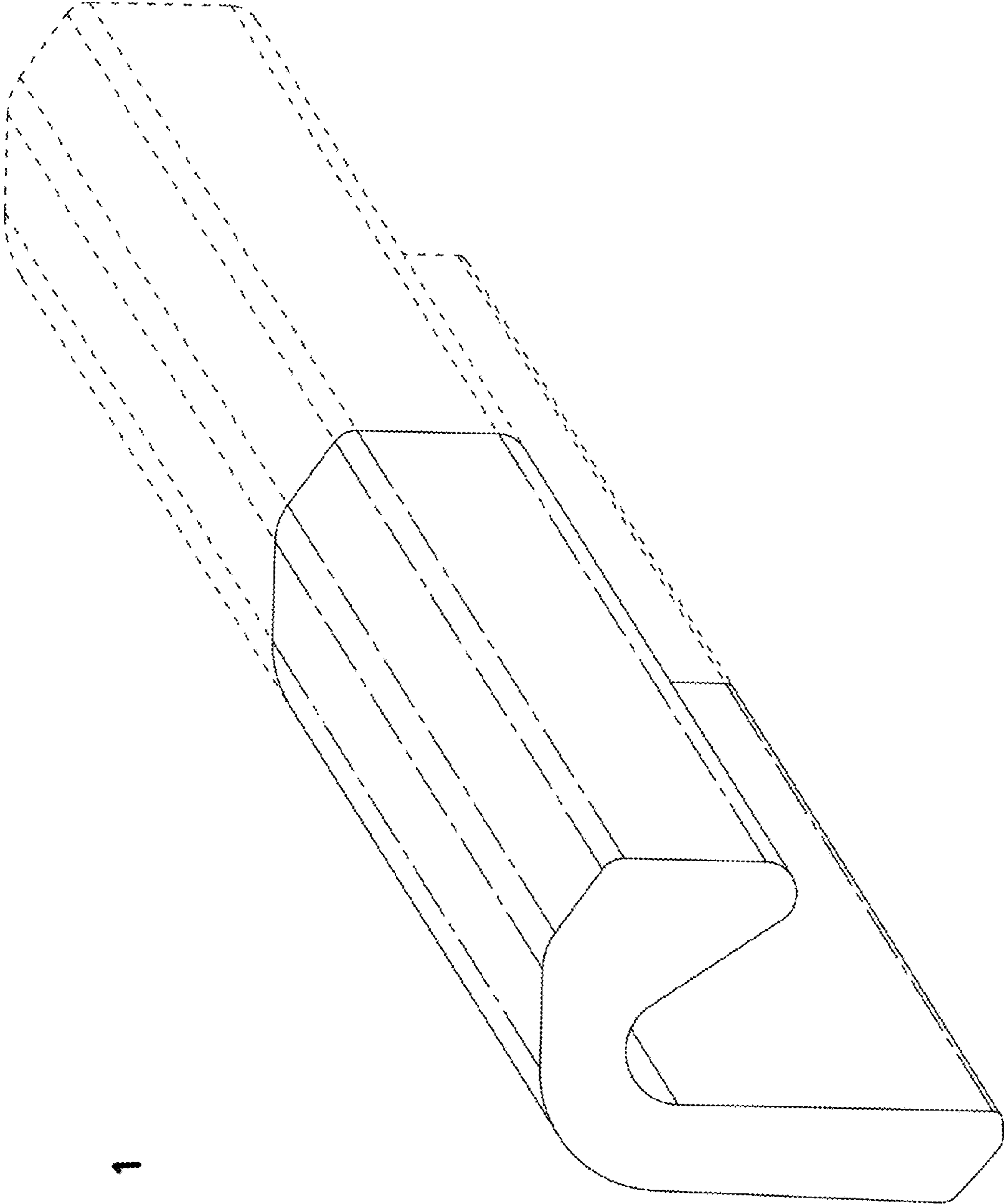


FIG. 1

FIG. 2

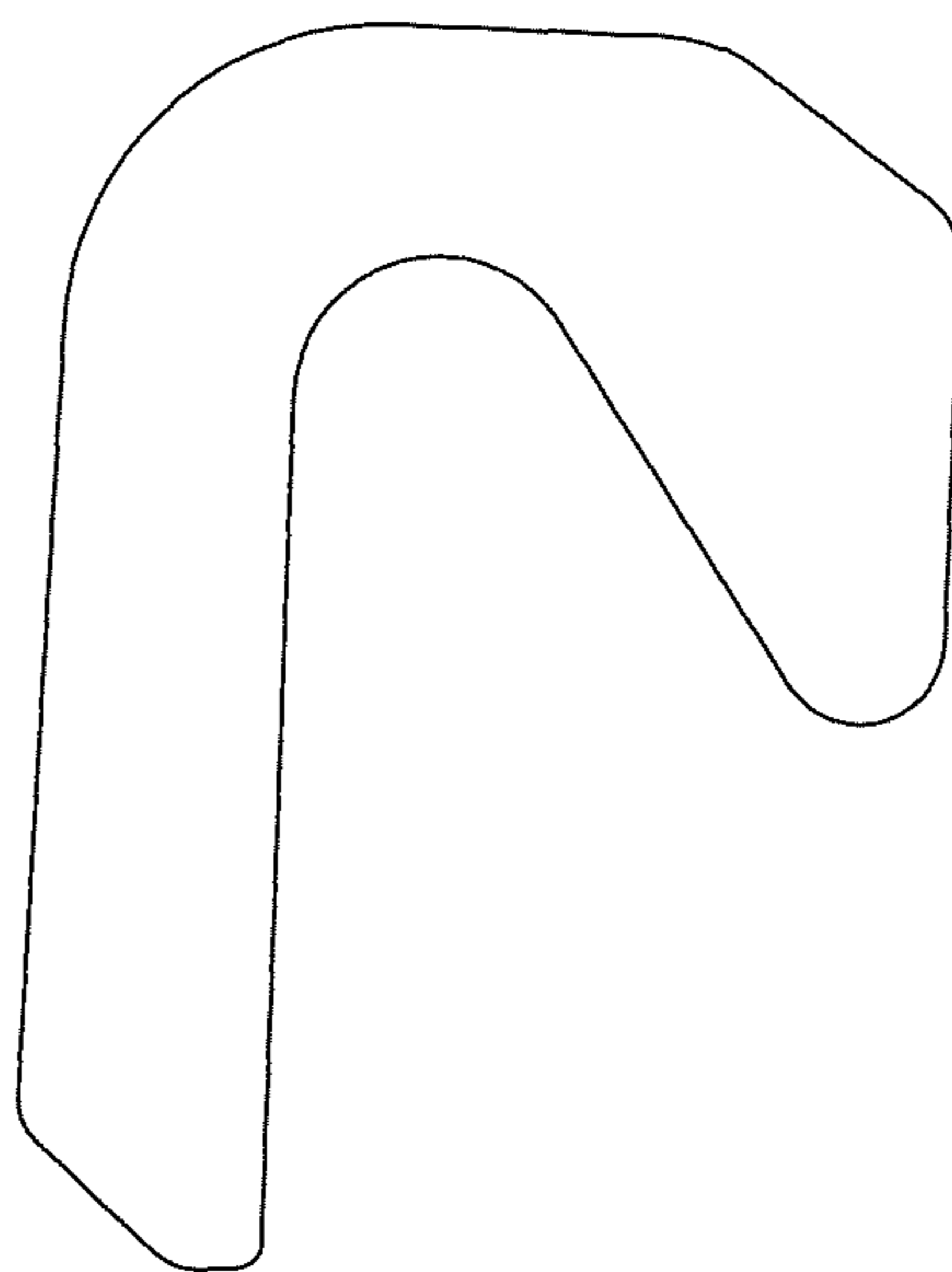
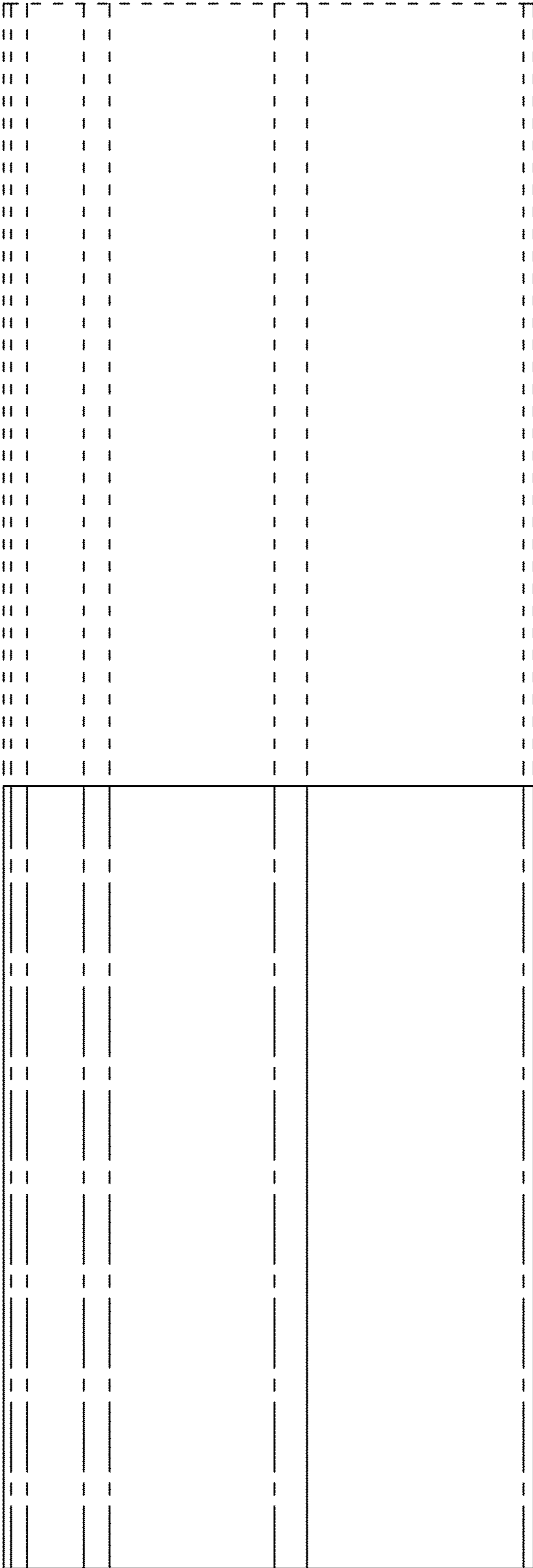


FIG. 3



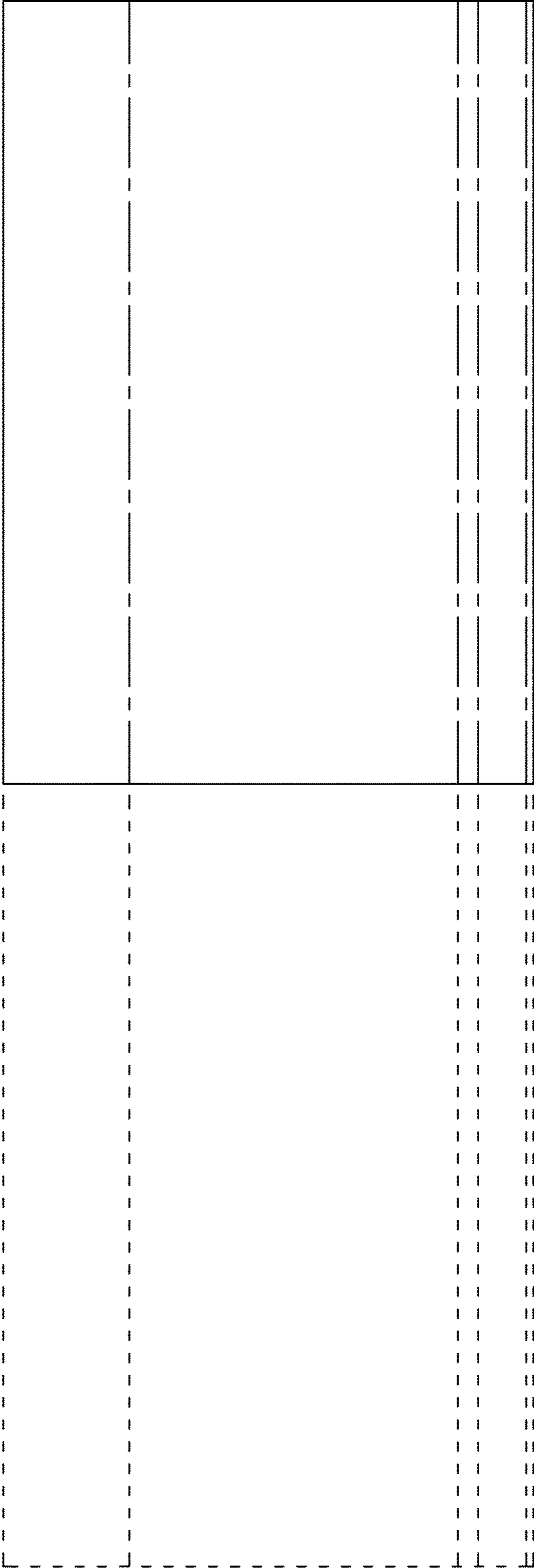


FIG. 4

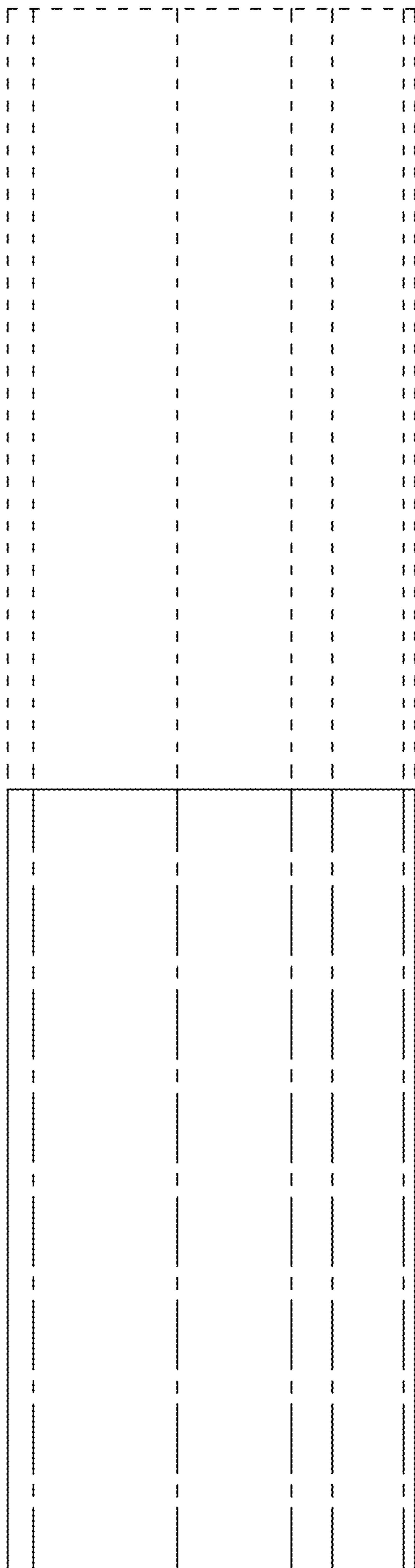


FIG. 5

FIG. 6

