



US00D721945S

(12) **United States Design Patent**
Underkofler et al.

(10) **Patent No.:** **US D721,945 S**
(45) **Date of Patent:** **** Feb. 3, 2015**

(54) **GRID TEE SUPPORTING CLIP**
(71) Applicant: **USG Interiors, LLC**, Chicago, IL (US)
(72) Inventors: **Abraham M. Underkofler**, Waukegan, IL (US); **Peder J. Gulbrandsen**, Aurora, IL (US); **Robert W. Gross**, Noblesville, IN (US); **Mark R. Paulsen**, Beach Park, IL (US)

(73) Assignee: **USG Interiors, LLC**, Chicago, IL (US)

(**) Term: **14 Years**

(21) Appl. No.: **29/452,469**

(22) Filed: **Apr. 17, 2013**

(51) **LOC (10) Cl.** **08-08**

(52) **U.S. Cl.**
USPC **D8/382**

(58) **Field of Classification Search**
CPC .. E04G 17/04; E04F 13/0805; E04F 13/0821;
E04F 13/0841; E04F 13/045; E04C
2003/0439; E04B 9/068
USPC D8/382, 349, 354, 394; D12/223;
248/466, 300, 247; 52/649.8, 285.3,
52/713, 282.2, 715, 362, 355, 702;
249/194

See application file for complete search history.

(56) **References Cited**

U.S. PATENT DOCUMENTS

1,492,469 A * 4/1924 Kangieser 52/362
2,025,794 A * 12/1935 Venzie 52/355
D173,148 S * 10/1954 Emmite D8/382

3,257,767 A * 6/1966 Lassy 52/649.8
D280,595 S * 9/1985 Wilk D8/354
D437,282 S * 2/2001 Joll D12/223
6,443,411 B1 * 9/2002 Merriweather, Jr. 248/300
6,536,179 B2 * 3/2003 Little 52/702
6,739,562 B2 * 5/2004 Rice 248/247
D654,350 S * 2/2012 Preda D8/354
8,540,201 B2 * 9/2013 Gadd et al. 248/300

* cited by examiner

Primary Examiner — Sheryl Lane

Assistant Examiner — Nicole Shiflet

(74) *Attorney, Agent, or Firm* — Pearne & Gordon LLP

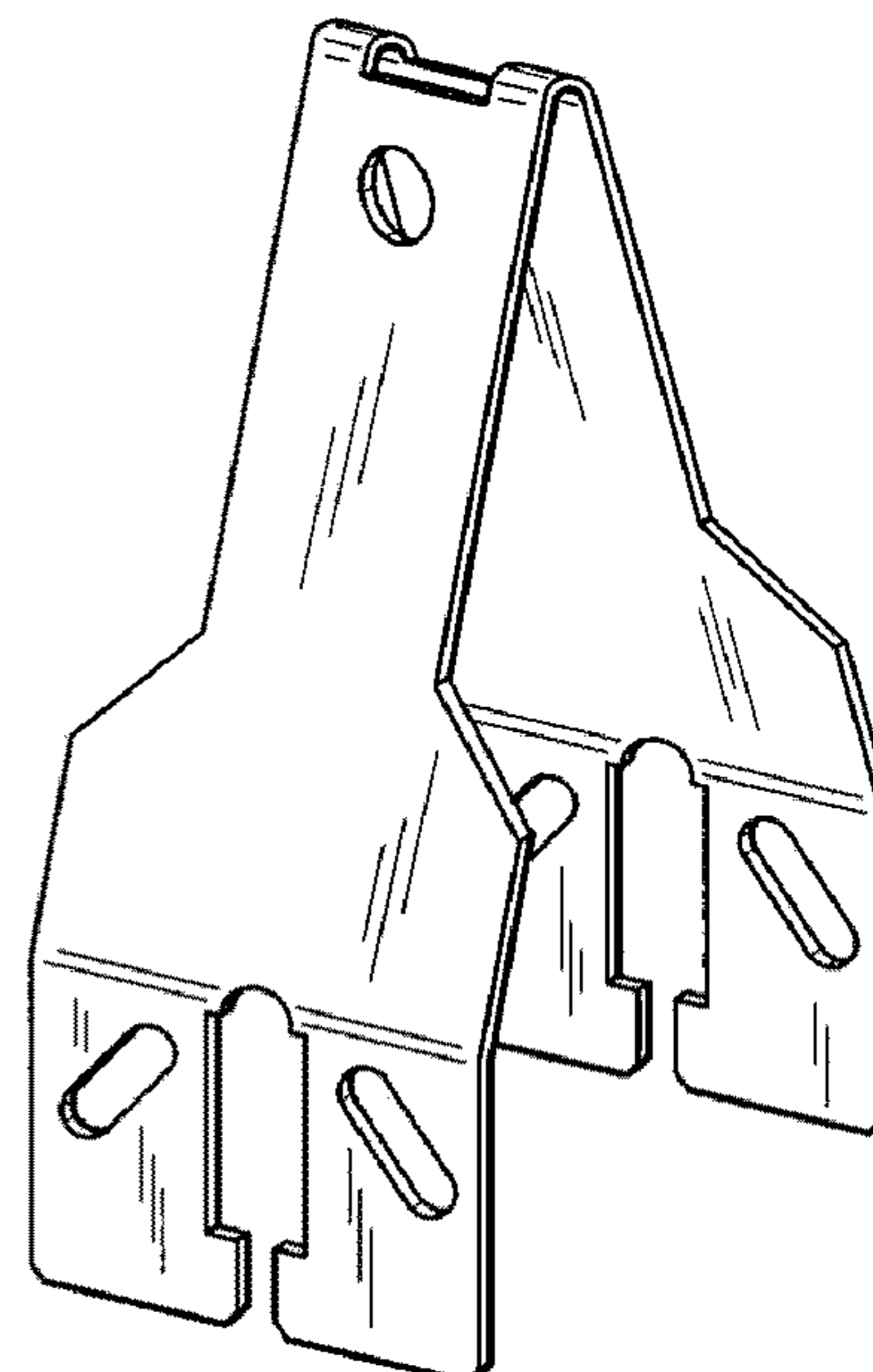
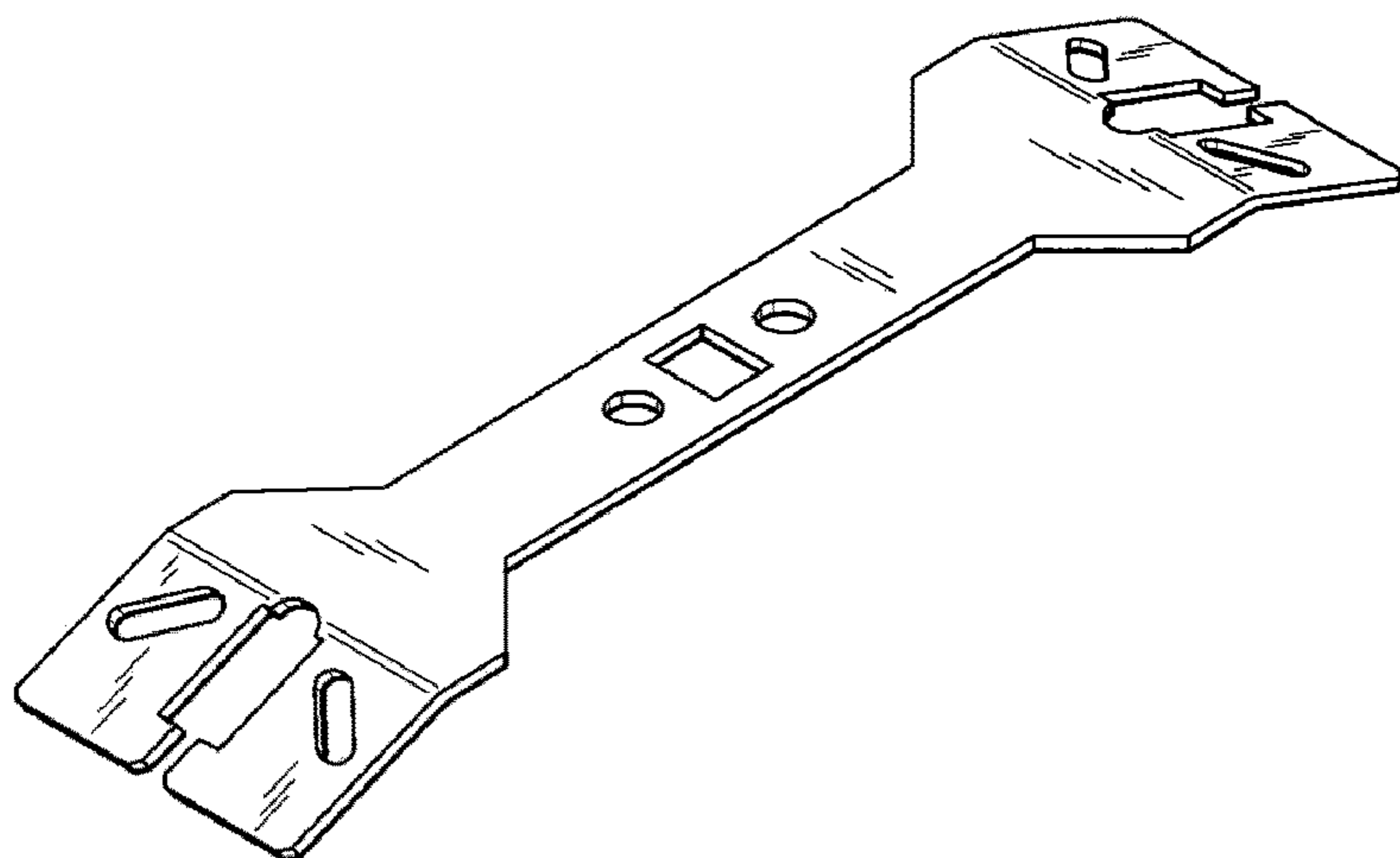
(57) **CLAIM**

The ornamental design for a grid tee supporting clip, as shown and described.

DESCRIPTION

FIG. 1 is an isometric view of a grid tee supporting clip showing our new design in a shipping configuration;
FIG. 2 is a top view thereof;
FIG. 3 is a side view thereof;
FIG. 4 is an end view thereof, the opposite end view being identical;
FIG. 5 is a bottom view thereof;
FIG. 6 is an isometric view of the grid tee supporting clip of FIG. 1 in ready to use configuration;
FIG. 7 is a top view thereof;
FIG. 8 is a side view thereof;
FIG. 9 is an end view thereof, the opposite end view being identical; and,
FIG. 10 is a bottom view thereof.

1 Claim, 2 Drawing Sheets



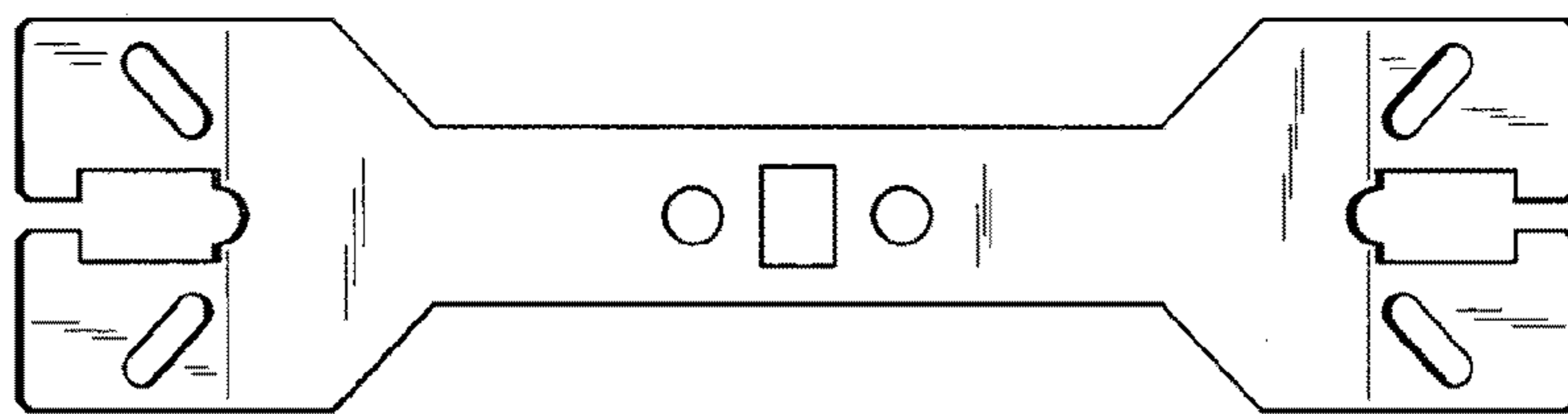
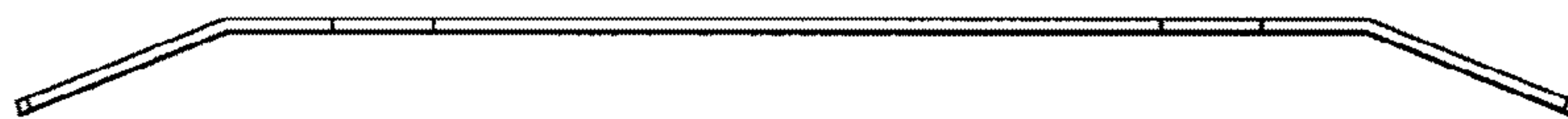
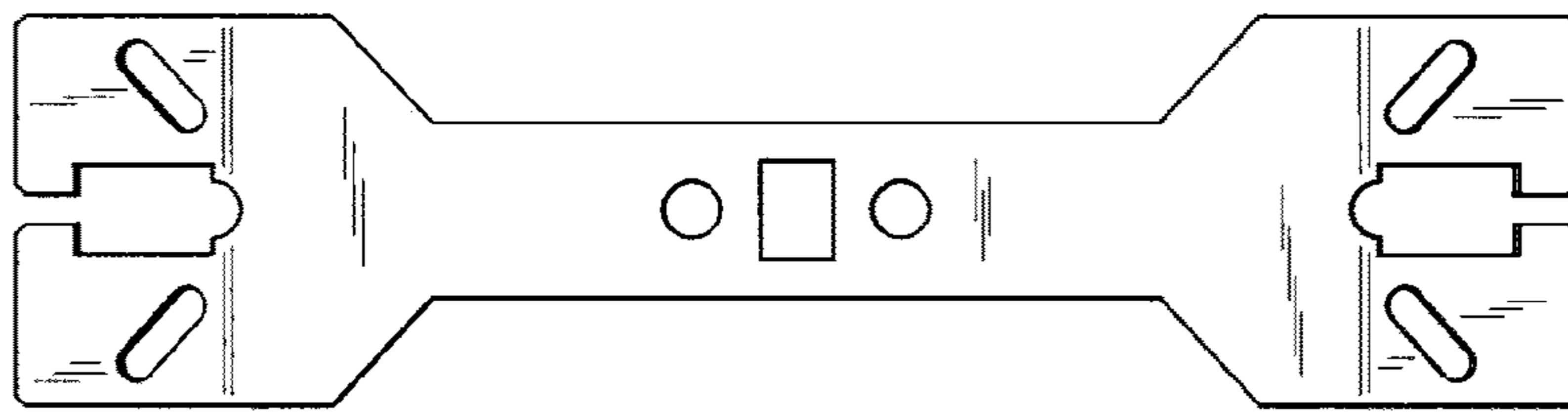
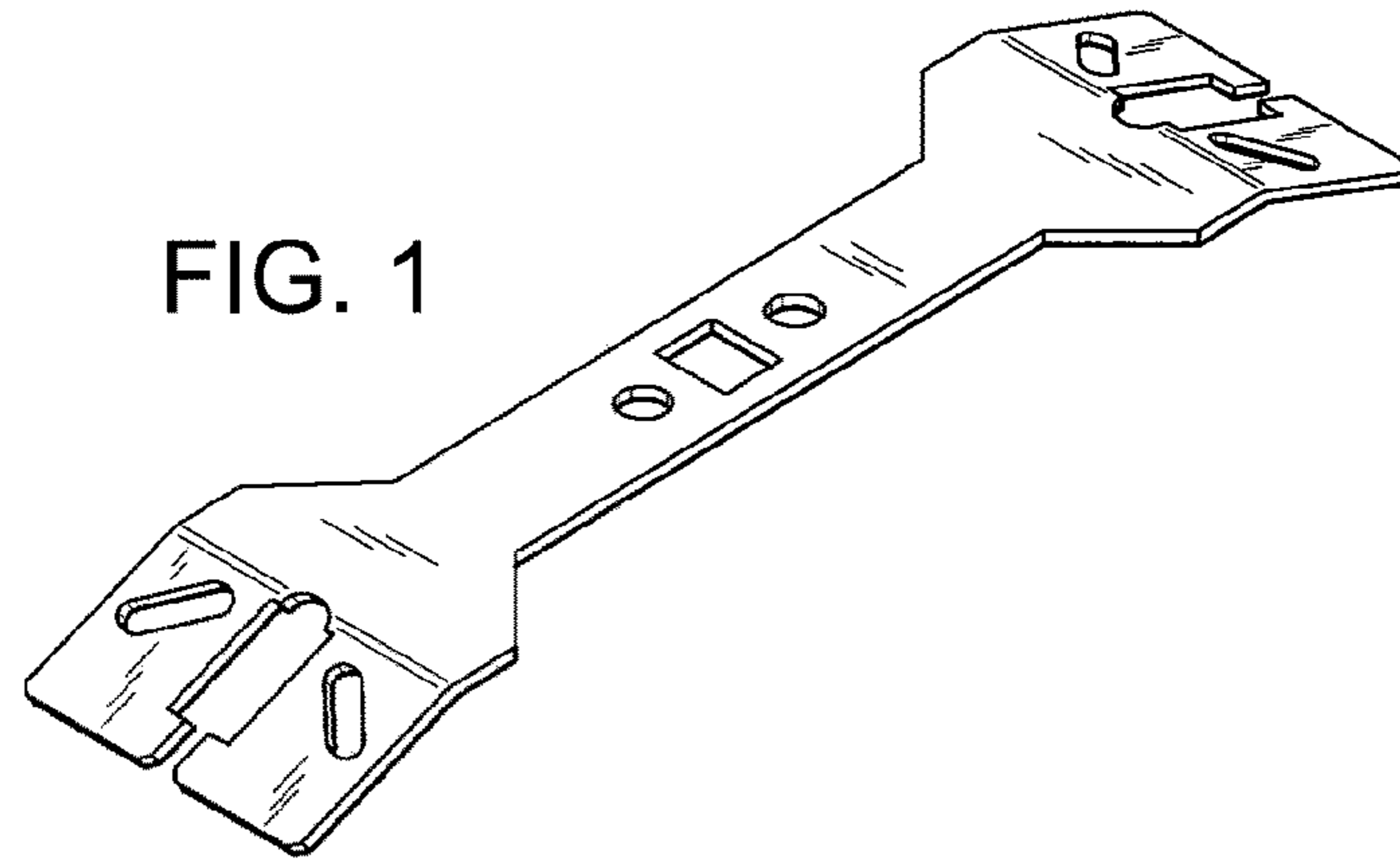


FIG. 6

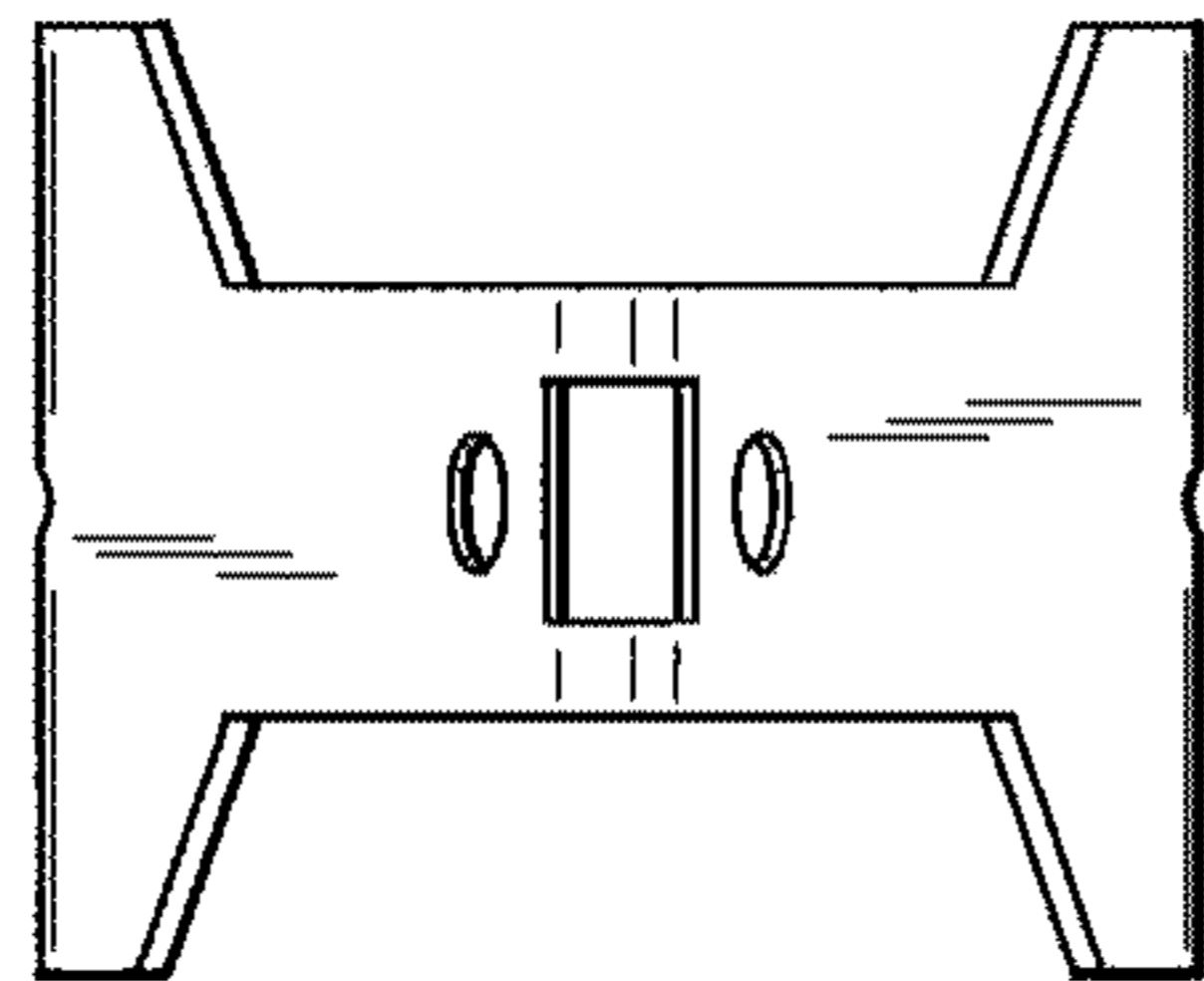
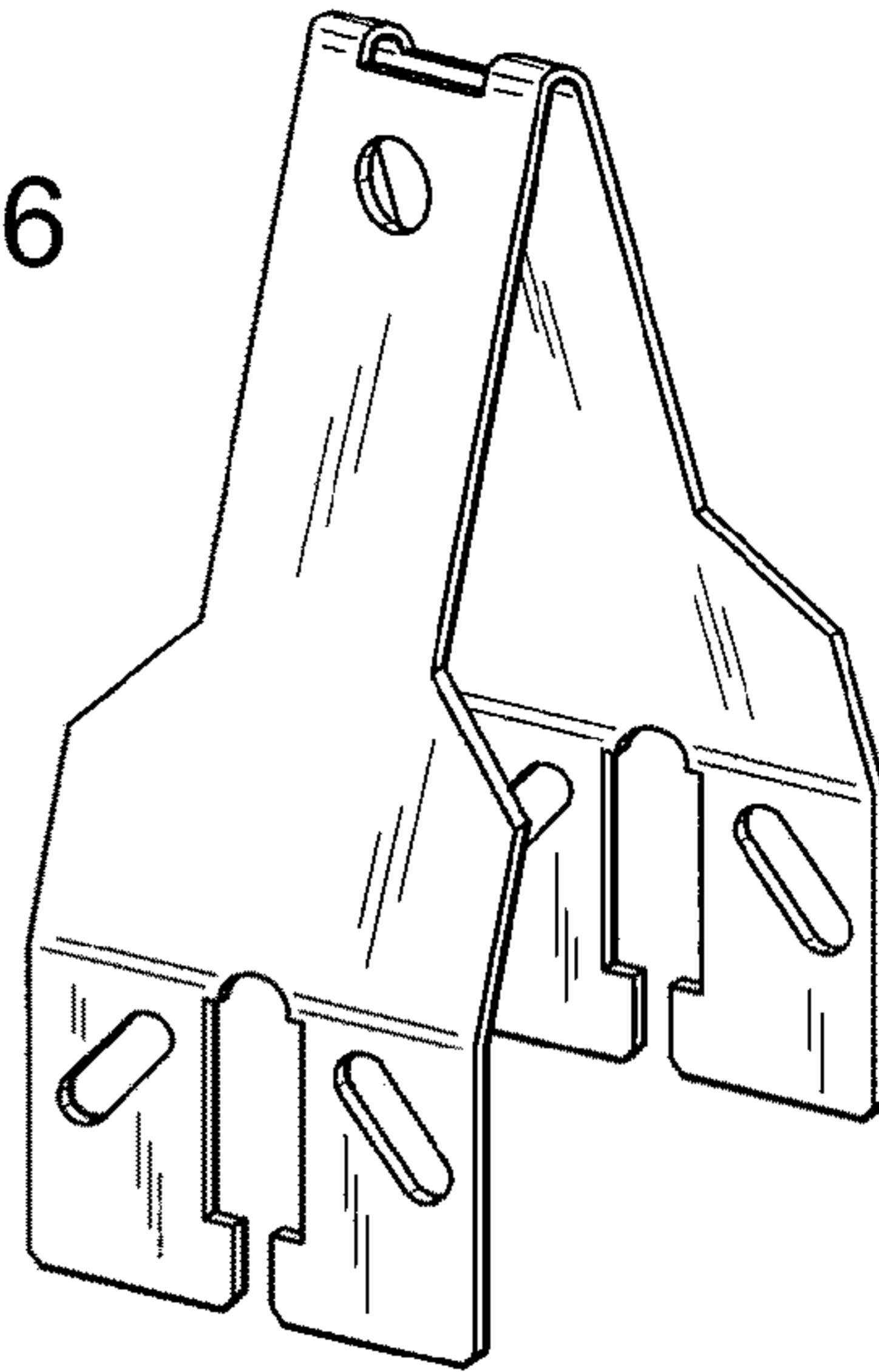


FIG. 7

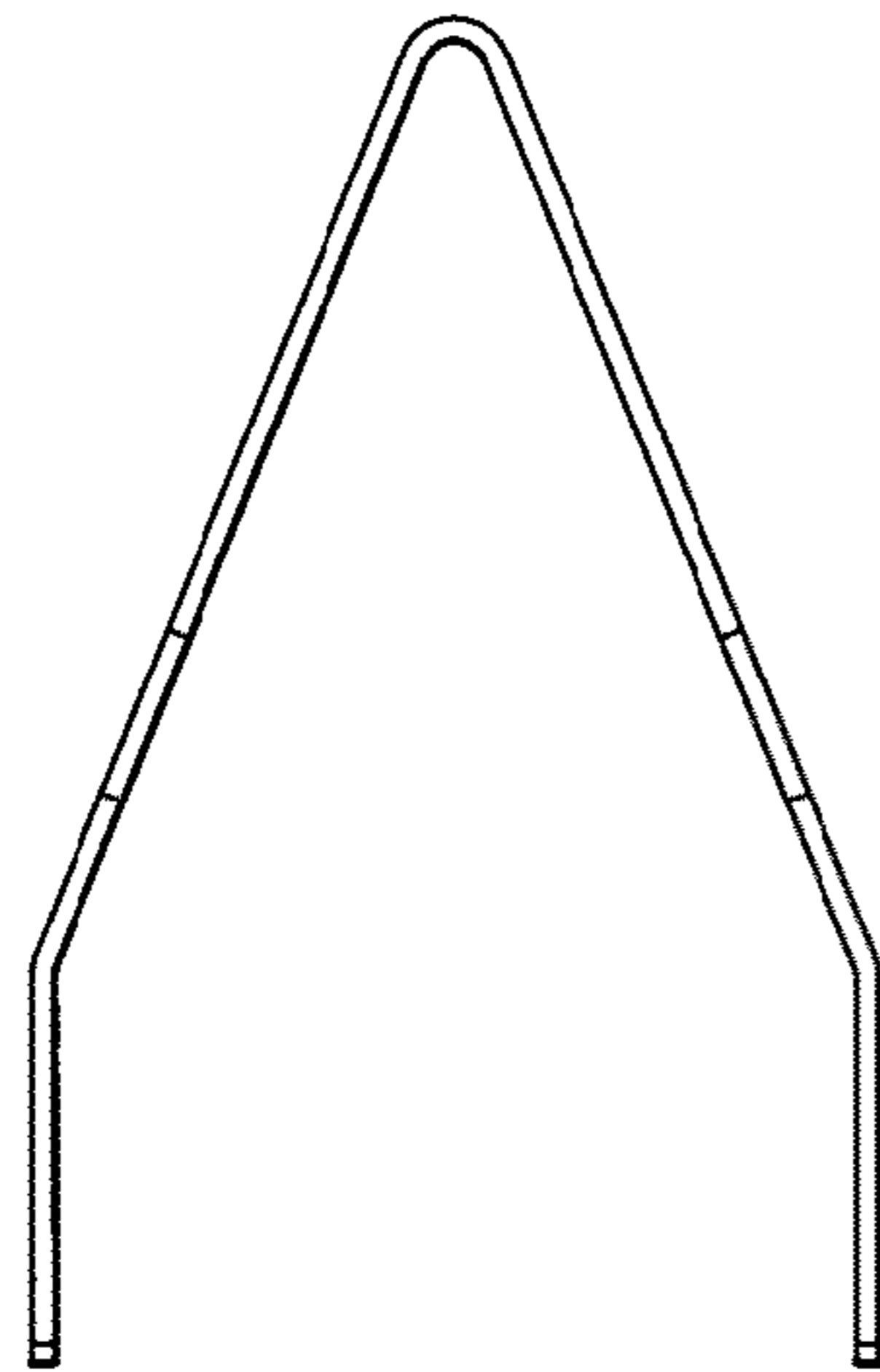


FIG. 8

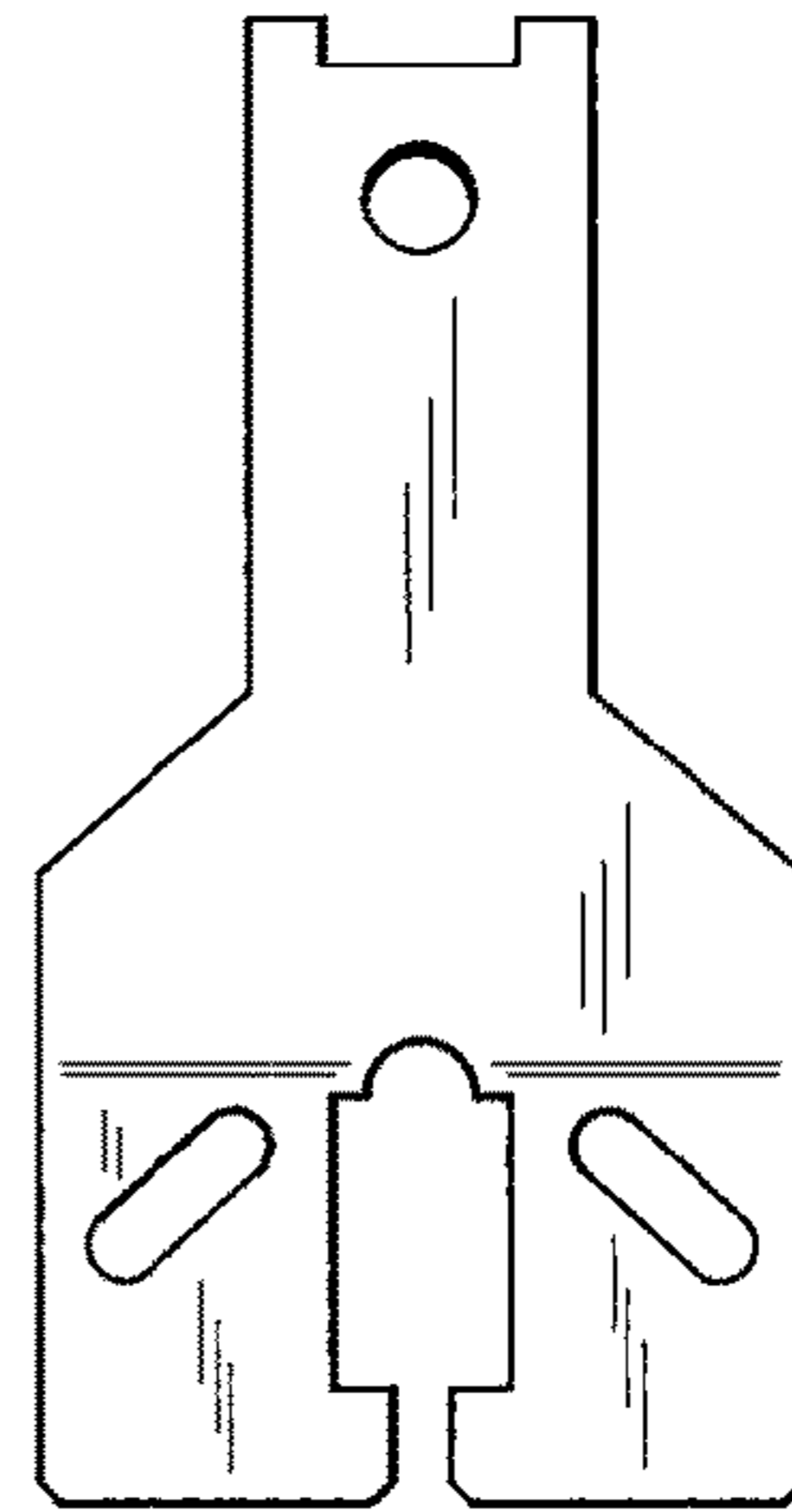


FIG. 9

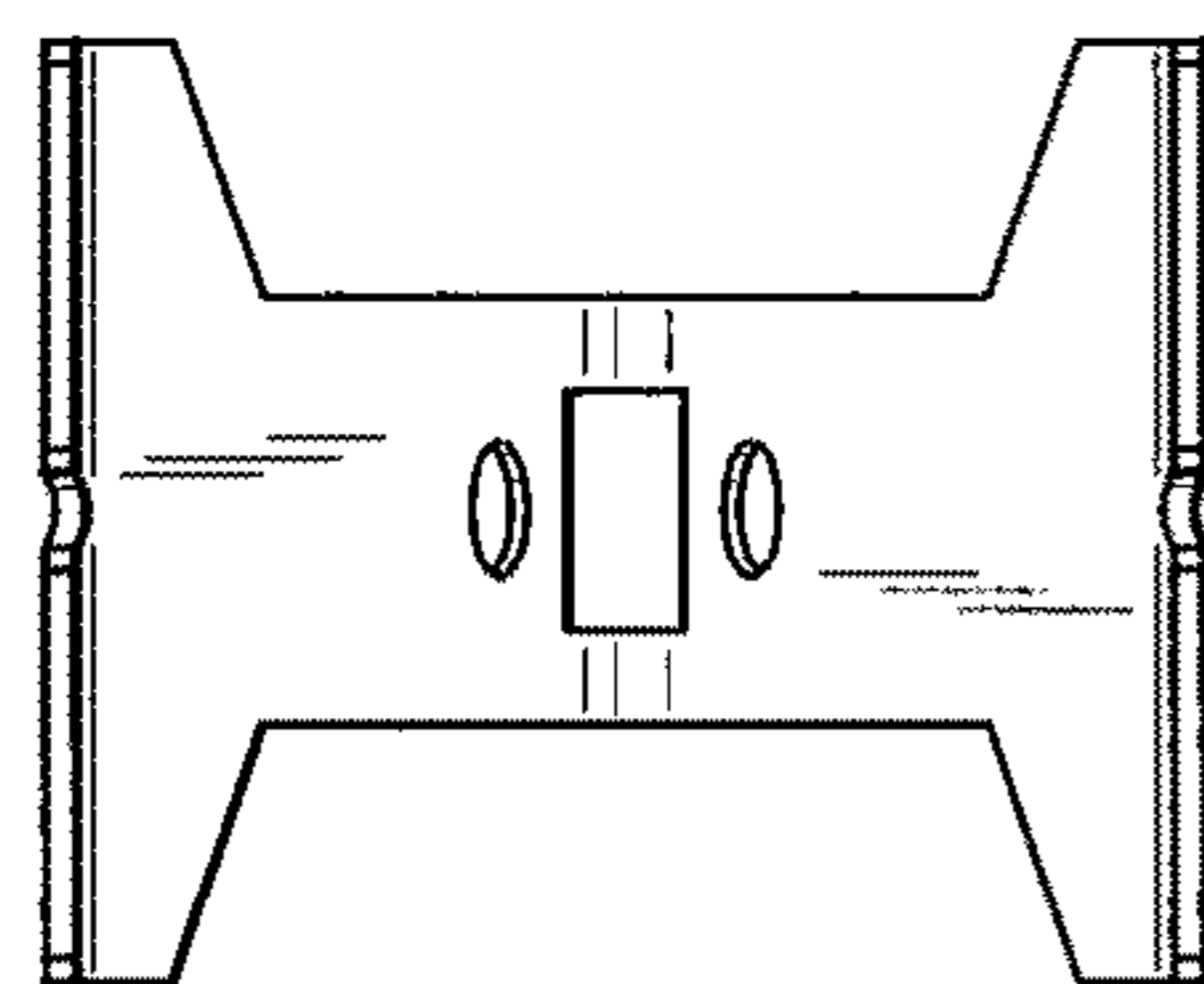


FIG. 10