



US00D721943S

(12) **United States Design Patent**
Kaplan

(10) **Patent No.:** **US D721,943 S**
(45) **Date of Patent:** **** Feb. 3, 2015**

- (54) **SPRINKLER SPRAY DEFLECTOR**
- (71) Applicant: **Michael Paul Kaplan**, Plano, TX (US)
- (72) Inventor: **Michael Paul Kaplan**, Plano, TX (US)
- (**) Term: **14 Years**
- (21) Appl. No.: **29/491,169**
- (22) Filed: **May 19, 2014**

Related U.S. Application Data

- (63) Continuation-in-part of application No. 29/419,336, filed on Apr. 26, 2012, now Pat. No. Des. 708,504.
- (51) **LOC (10) Cl.** **08-05**
- (52) **U.S. Cl.**
USPC **D8/354**; D23/214
- (58) **Field of Classification Search**
USPC D8/349, 354, 380, 382, 356; D25/133;
248/519, 300, 237, 309.1; 174/45 R,
174/46, 40 R, 45 TD, 40 CCC, 43, 493;
220/251, 284; 362/431; 411/402;
52/188, 182, 191, 702, 712, 745.06,
52/189, 506.5, 586.1; 29/428, 525.01,
29/464; 249/14, 205, 208; 403/167, 169;
239/231, 505; D23/213-221, 227, 229,
D23/230

See application file for complete search history.

(56) **References Cited**

U.S. PATENT DOCUMENTS

598,895	A *	2/1898	Bell	108/141
2,639,191	A *	5/1953	Hruby, Jr.	239/231
4,039,744	A *	8/1977	Seaquist	174/169
D251,128	S *	2/1979	Groos et al.	D23/214
4,432,435	A *	2/1984	Anderson	182/82
4,461,423	A *	7/1984	Davis	239/231
4,524,912	A *	6/1985	Jones	239/150
4,815,688	A *	3/1989	Wood	248/230.2
D311,364	S *	10/1990	Wood	D12/133

D311,436	S *	10/1990	Whitehead	D23/214
D335,254	S *	5/1993	Carter	D8/354
5,421,060	A *	6/1995	Miller et al.	16/427
D383,967	S *	9/1997	DeMars	D8/354
D418,577	S *	1/2000	Davis	D23/227
D484,399	S *	12/2003	Arthur	D8/394
6,866,154	B2 *	3/2005	Hartman et al.	211/26
D560,471	S *	1/2008	Short et al.	D8/354
D569,230	S *	5/2008	Terada et al.	D8/354
7,448,590	B1 *	11/2008	Holton	248/534
7,455,268	B2 *	11/2008	Heath	248/74.1
D587,096	S *	2/2009	Smith	D8/354
D587,097	S *	2/2009	Smith	D8/354
D602,763	S *	10/2009	Peterson et al.	D8/354
D612,450	S *	3/2010	Feenstra	D23/214
D617,415	S *	6/2010	Feenstra	D23/214
D628,460	S *	12/2010	Seitz	D8/354
D632,159	S *	2/2011	Charette	D8/354
D638,689	S *	5/2011	Wormser	D8/354

(Continued)

Primary Examiner — Mark Goodwin

(74) *Attorney, Agent, or Firm* — Jeffrey Roddy

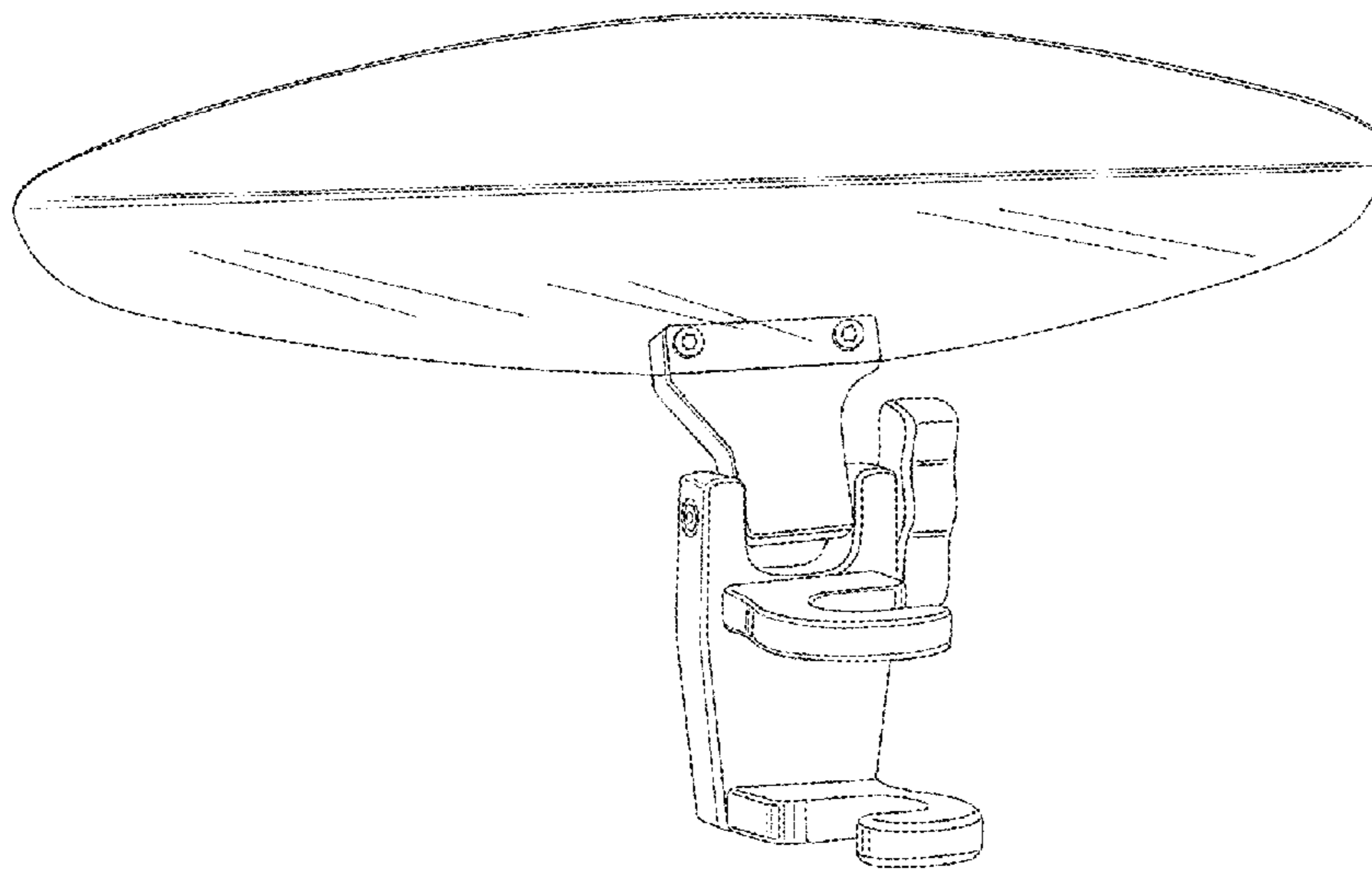
(57) **CLAIM**

The ornamental design for the sprinkler spray deflector, as shown and described.

DESCRIPTION

FIG. 1 is a side, front perspective view of a sprinkler spray deflector showing my new design;
 FIG. 2 is an opposite side, front perspective view thereof;
 FIG. 3 is a front view thereof;
 FIG. 4 bottom plan view thereof;
 FIG. 5 is a cross sectional view thereof taken along lines 5-5 of FIG. 3;
 FIG. 6 is a back view thereof; and,
 FIG. 7 is a front plan view thereof shown in use condition.
 Broken or dashed lines represent environmental elements and form no part of the claimed design. The dashed lines shown in (FIG. 7) represent an unclaimed shrub riser to which the sprinkler spray deflector is typically attached.

1 Claim, 4 Drawing Sheets



US D721,943 S

Page 2

(56)

References Cited

U.S. PATENT DOCUMENTS

8,033,481 B2 *	10/2011	Kim	239/208	D660,132 S *	5/2012	Yoder et al.	D8/354
D658,484 S *	5/2012	Wall	D8/354	8,336,920 B2 *	12/2012	Stempo et al.	285/114
D658,485 S *	5/2012	Wall	D8/354	8,474,199 B2 *	7/2013	Oh	52/220.6
					2014/0001316 A1 *	1/2014	Shelton	248/75

* cited by examiner

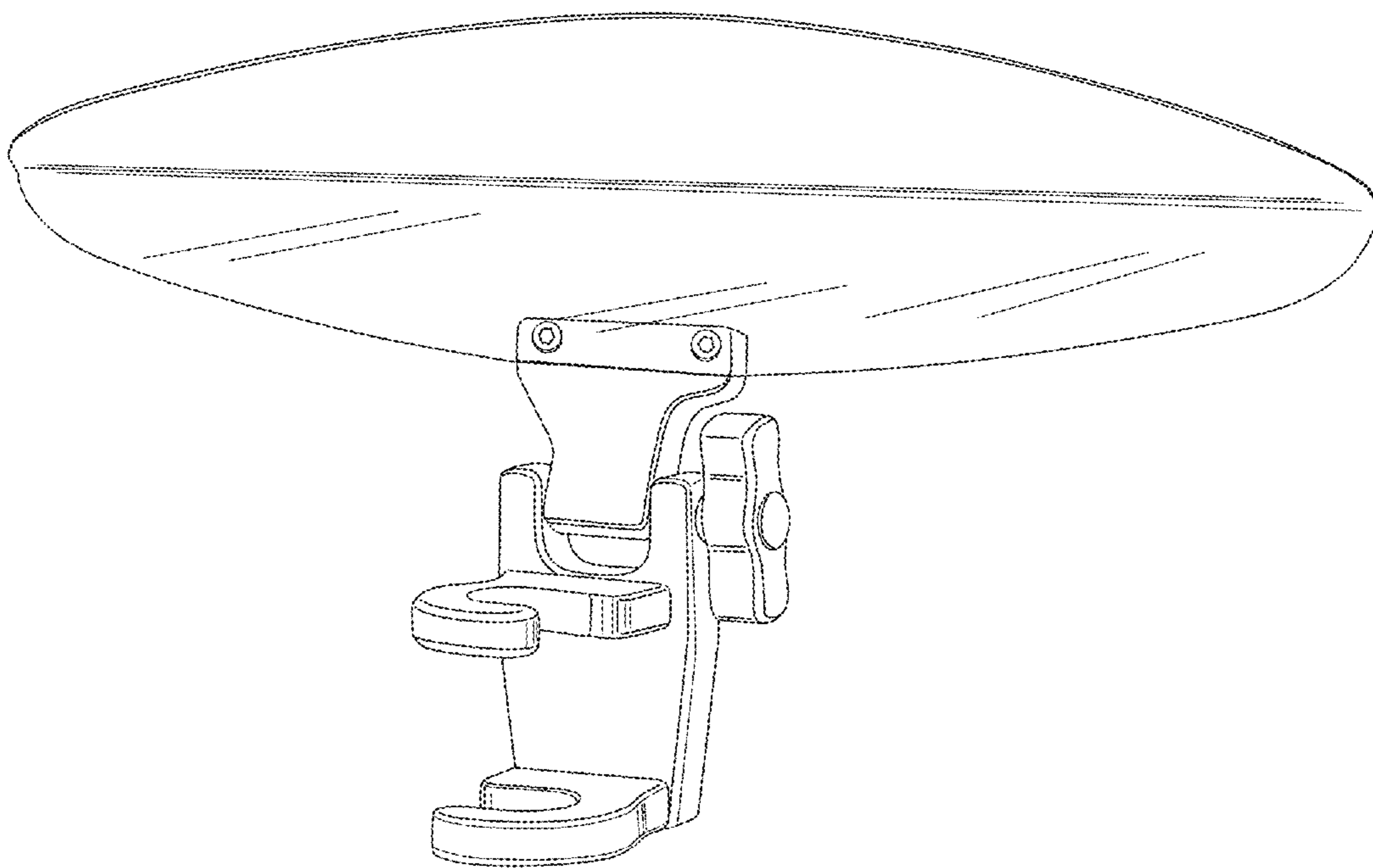


FIG. 1

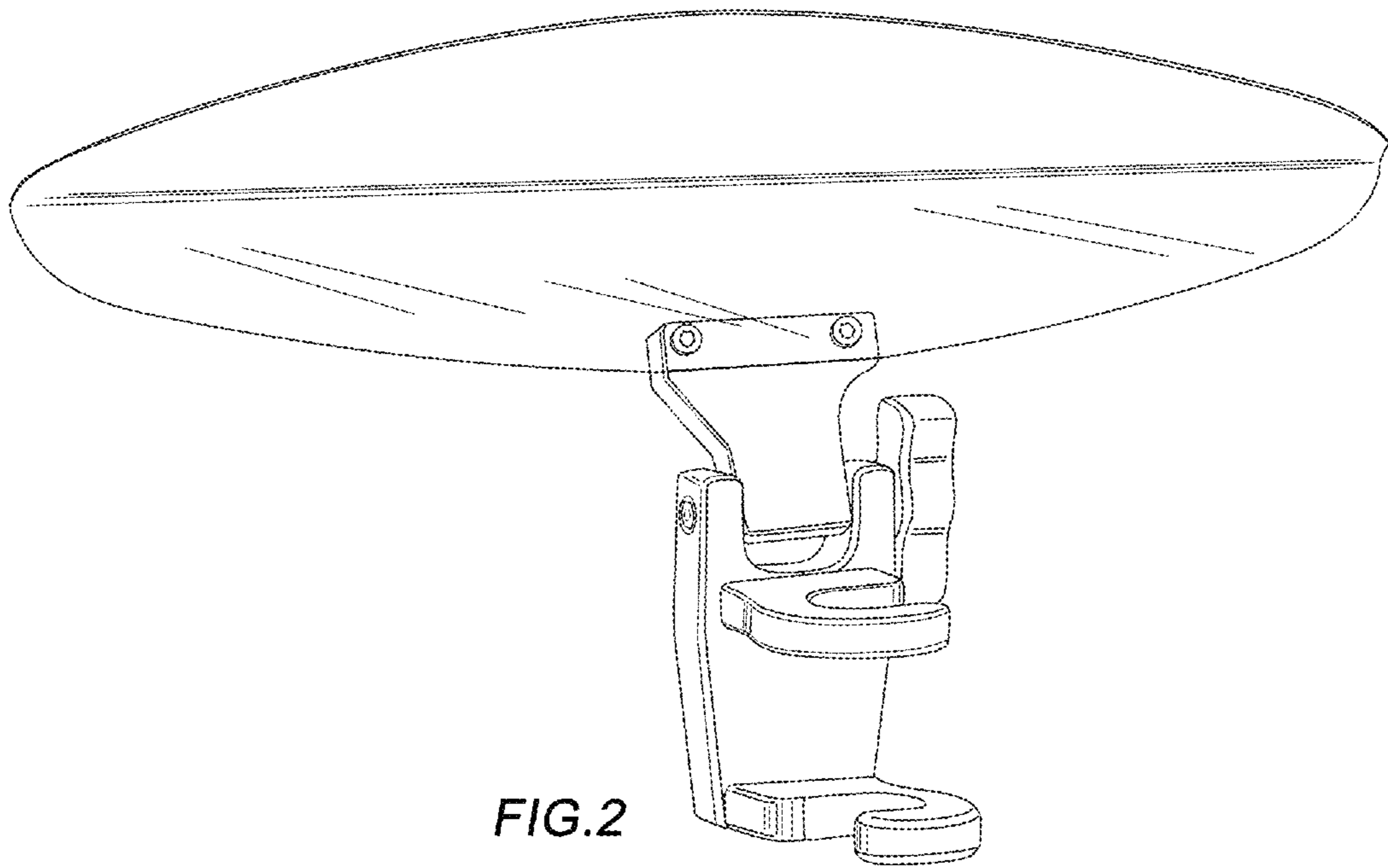


FIG. 2

