



US00D721942S

(12) **United States Design Patent**  
**Liang et al.**

(10) **Patent No.:** **US D721,942 S**  
(45) **Date of Patent:** **\*\* Feb. 3, 2015**

- (54) **SASH LOCK AND KEEPER**
- (71) Applicants: **Luke Liang**, South Plainfield, NJ (US);  
**Tong Liang**, Guangzhou (CN); **David Chen**, Guangzhou (CN)
- (72) Inventors: **Luke Liang**, South Plainfield, NJ (US);  
**Tong Liang**, Guangzhou (CN); **David Chen**, Guangzhou (CN)
- (73) Assignee: **Vision Industries, Inc.**

D418,737	S	*	1/2000	Libby et al.	.....	D8/337
6,116,665	A	*	9/2000	Subliskey	.....	292/241
6,347,820	B2	*	2/2002	Subliskey	.....	292/346
6,568,723	B2	*	5/2003	Murphy et al.	.....	292/241
6,871,886	B2	*	3/2005	Coleman et al.	.....	292/241
6,969,096	B2	*	11/2005	Subliskey	.....	292/340
D527,613	S	*	9/2006	Omangi et al.	.....	D8/331
D536,950	S	*	2/2007	Liang et al.	.....	D8/331
D562,149	S	*	2/2008	Crombie	.....	D9/601
D571,635	S	*	6/2008	Liang et al.	.....	D8/331
7,699,365	B2	*	4/2010	Liang et al.	.....	292/240

(\*\*) Term: **14 Years**

(21) Appl. No.: **29/469,147**

(22) Filed: **Oct. 8, 2013**

(51) **LOC (10) Cl.** ..... **08-07**

(52) **U.S. Cl.**  
USPC ..... **D8/337**

(58) **Field of Classification Search**  
CPC ..... E05B 55/00; E05B 63/0017; E05C 17/48;  
E05C 19/028; B62D 33/037; B62D 55/02;  
B65F 1/615  
USPC ..... D8/330, 331, 335, 339, 302, 343;  
70/141, 208, 448, 206, 210; 292/336.3,  
292/169, 358, 359, 170, 175, 165, 224,  
292/140-145, 240-242, DIG. 14, DIG. 30,  
292/DIG. 31, DIG. 4, 173, DIG. 51, 337  
See application file for complete search history.

(56) **References Cited**

**U.S. PATENT DOCUMENTS**

D369,290	S	*	4/1996	Subliskey	.....	D8/337
D380,957	S	*	7/1997	Evans et al.	.....	D8/337

\* cited by examiner

*Primary Examiner* — Prabhakar Deshmukh  
(74) *Attorney, Agent, or Firm* — Thomas A. O'Rourke;  
Bodner & O'Rourke, LLP

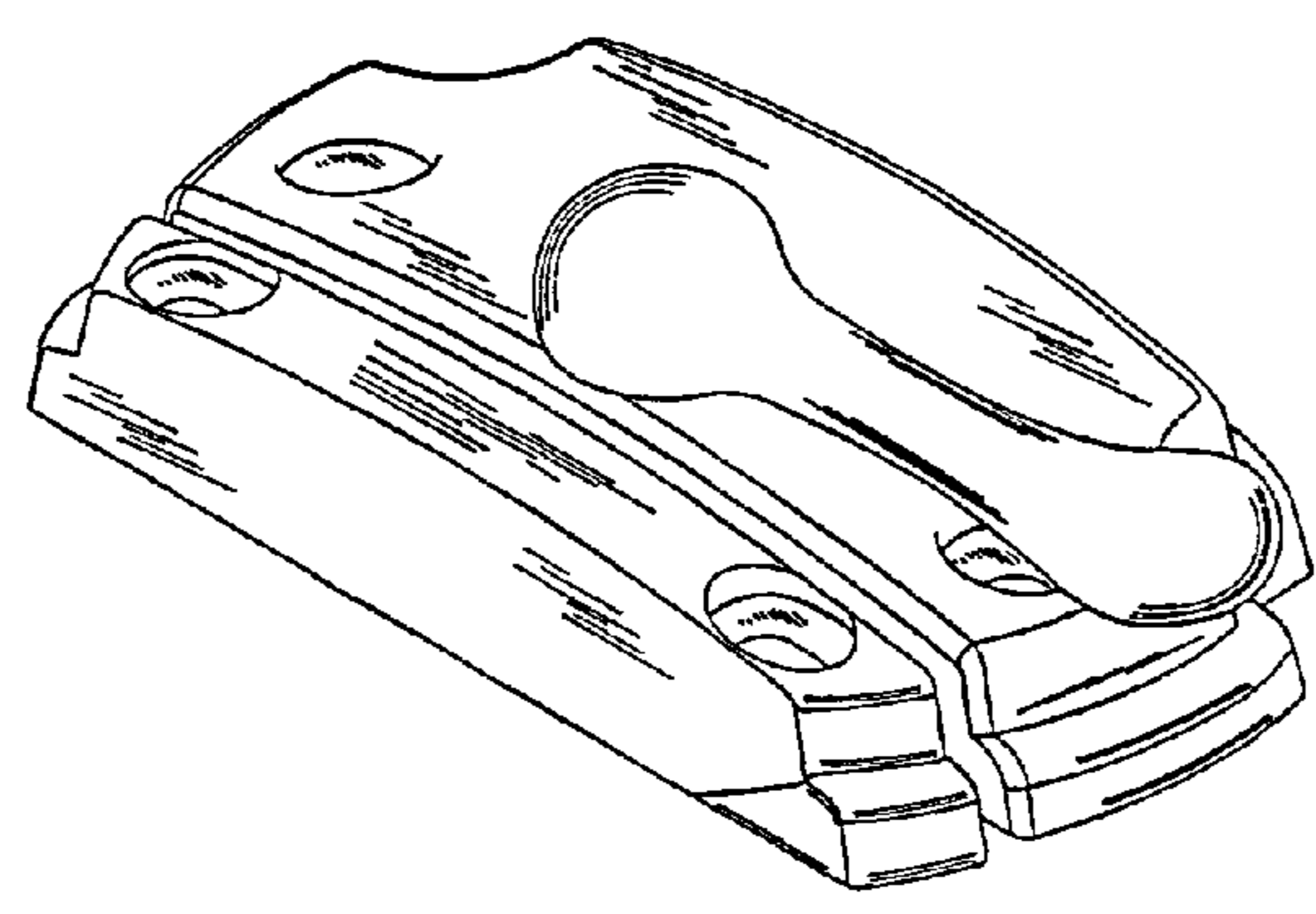
(57) **CLAIM**

The ornamental design for a sash lock and keeper, as shown and described.

**DESCRIPTION**

FIG. 1 is a top perspective view of a sash lock and keeper showing our new design, taken from the keeper side; FIG. 2 is another top perspective view thereof, taken from the sash lock side; FIG. 3 is a front elevation view thereof; FIG. 4 is a rear elevation view thereof; FIG. 5 is a top plan view thereof; FIG. 6 is a right side view thereof; and, FIG. 7 is a left side view thereof.

**1 Claim, 4 Drawing Sheets**



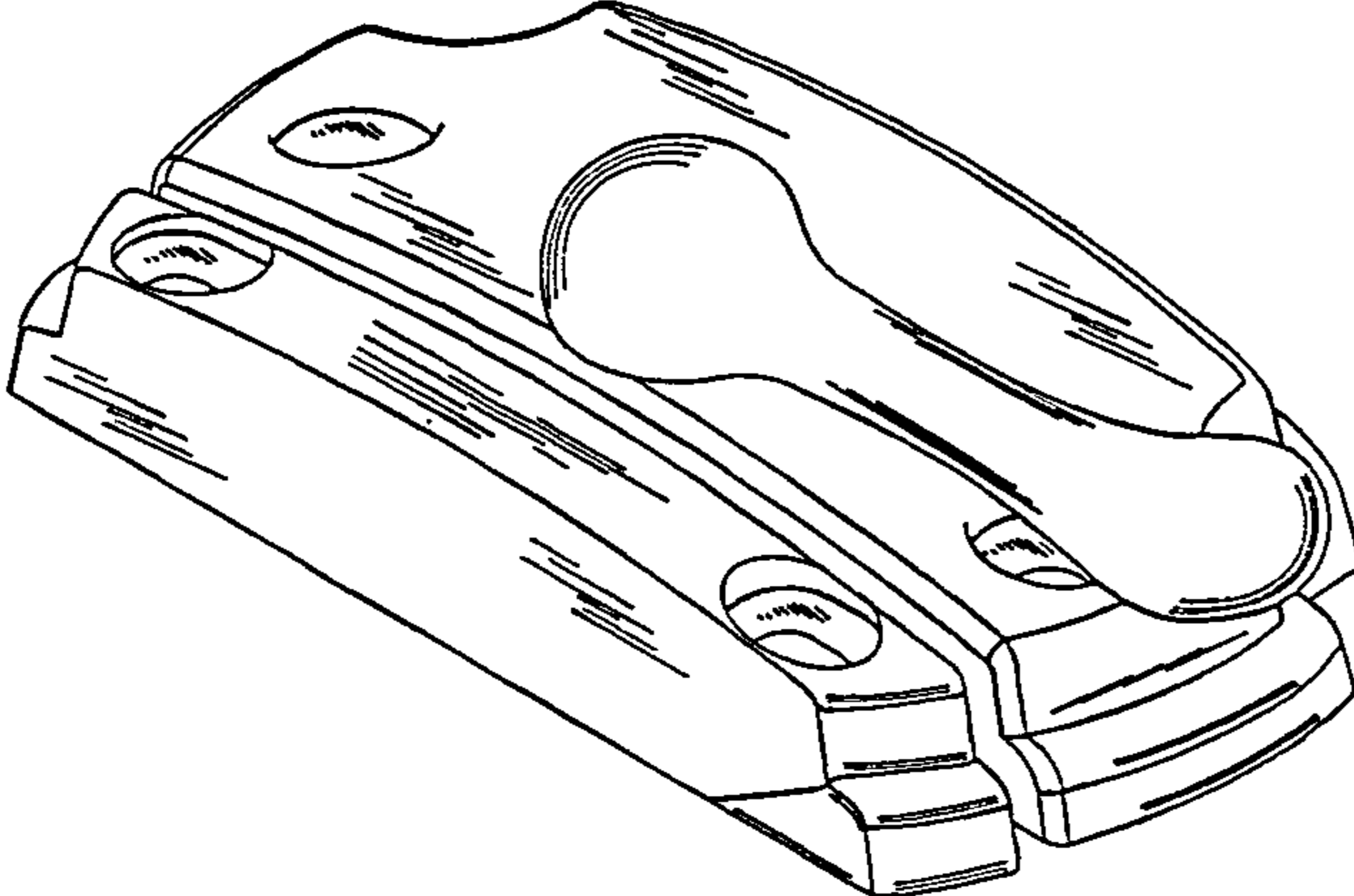


FIG. 1

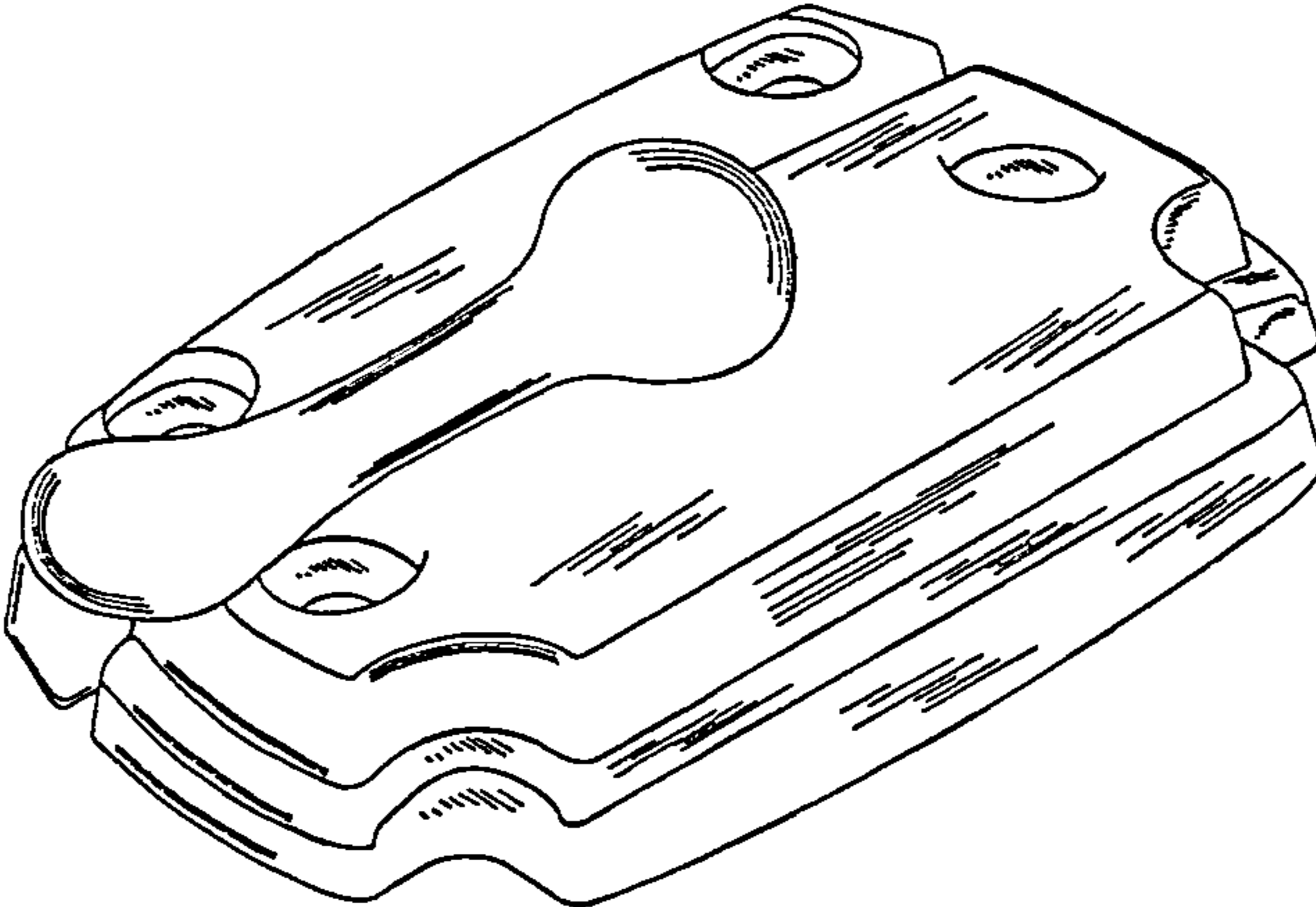


FIG. 2

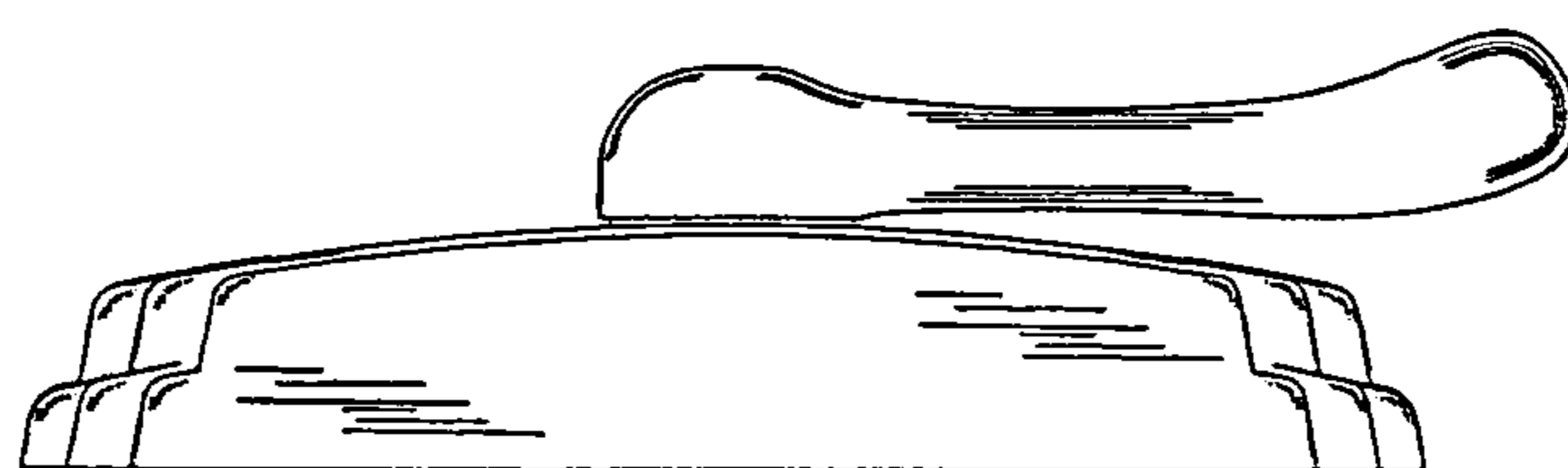


FIG. 3

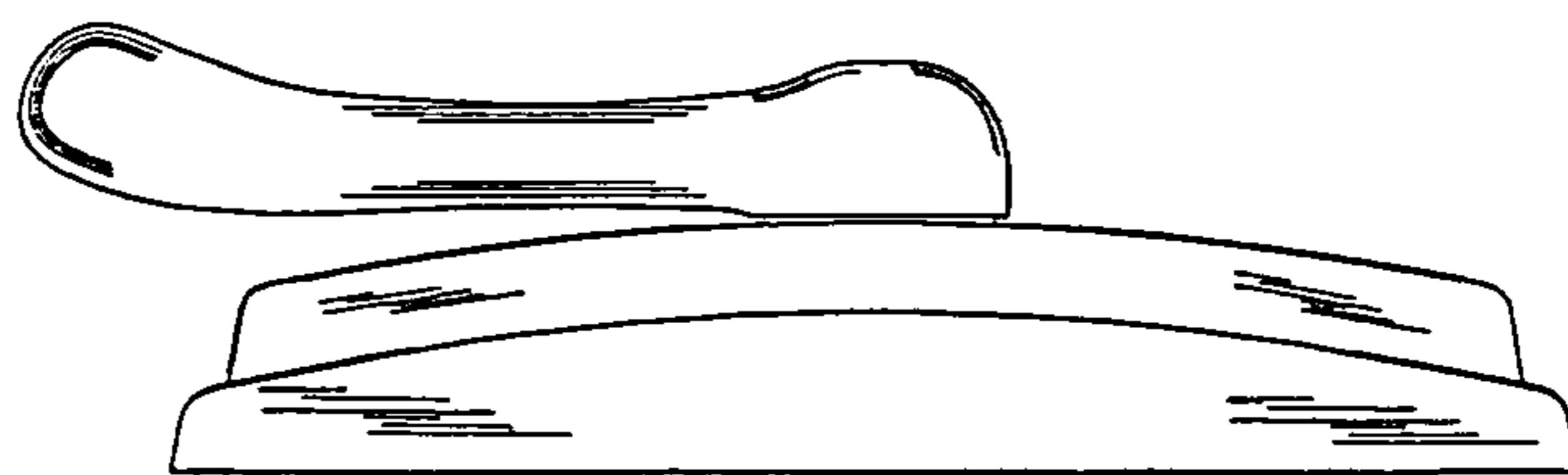


FIG. 4

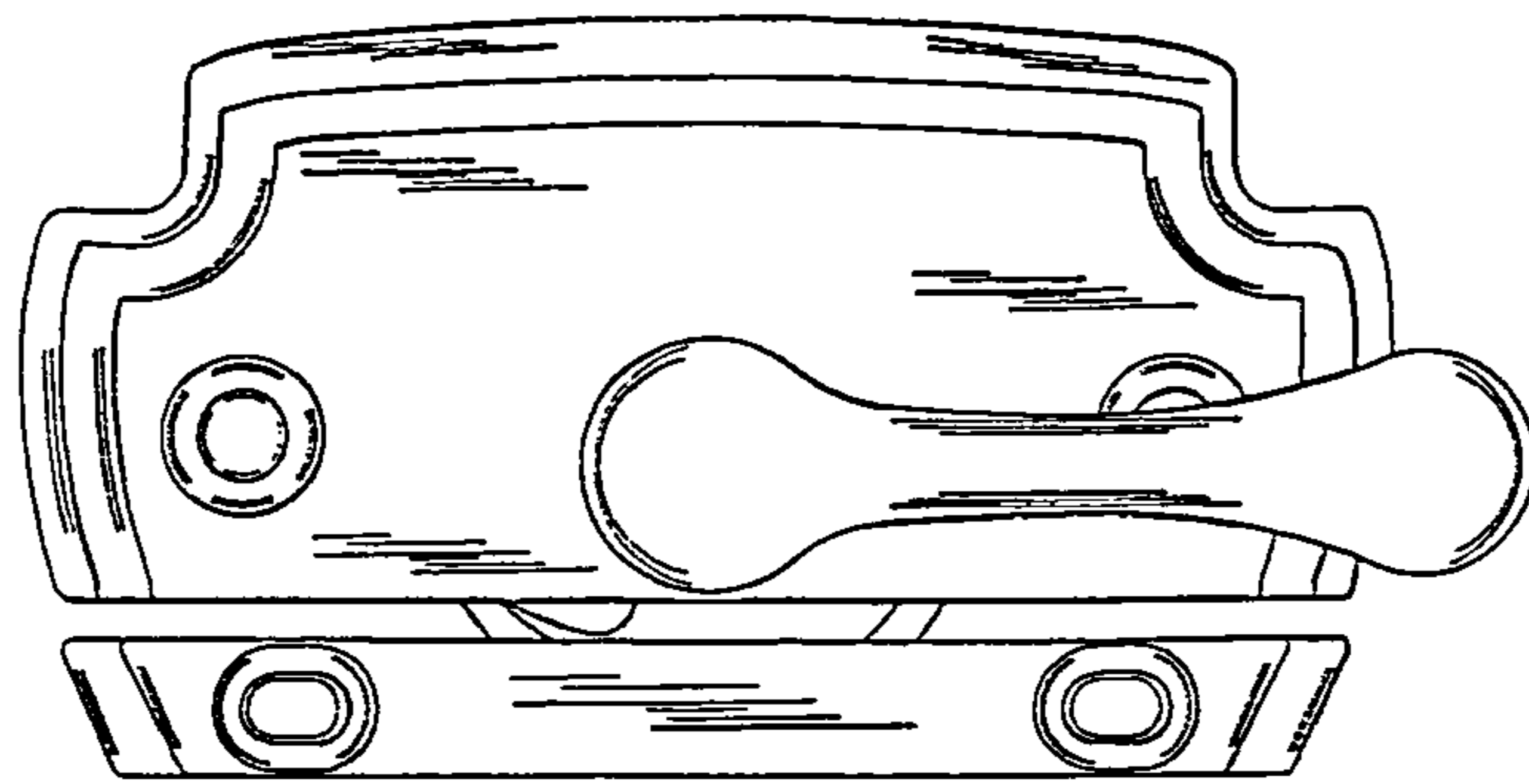


FIG. 5

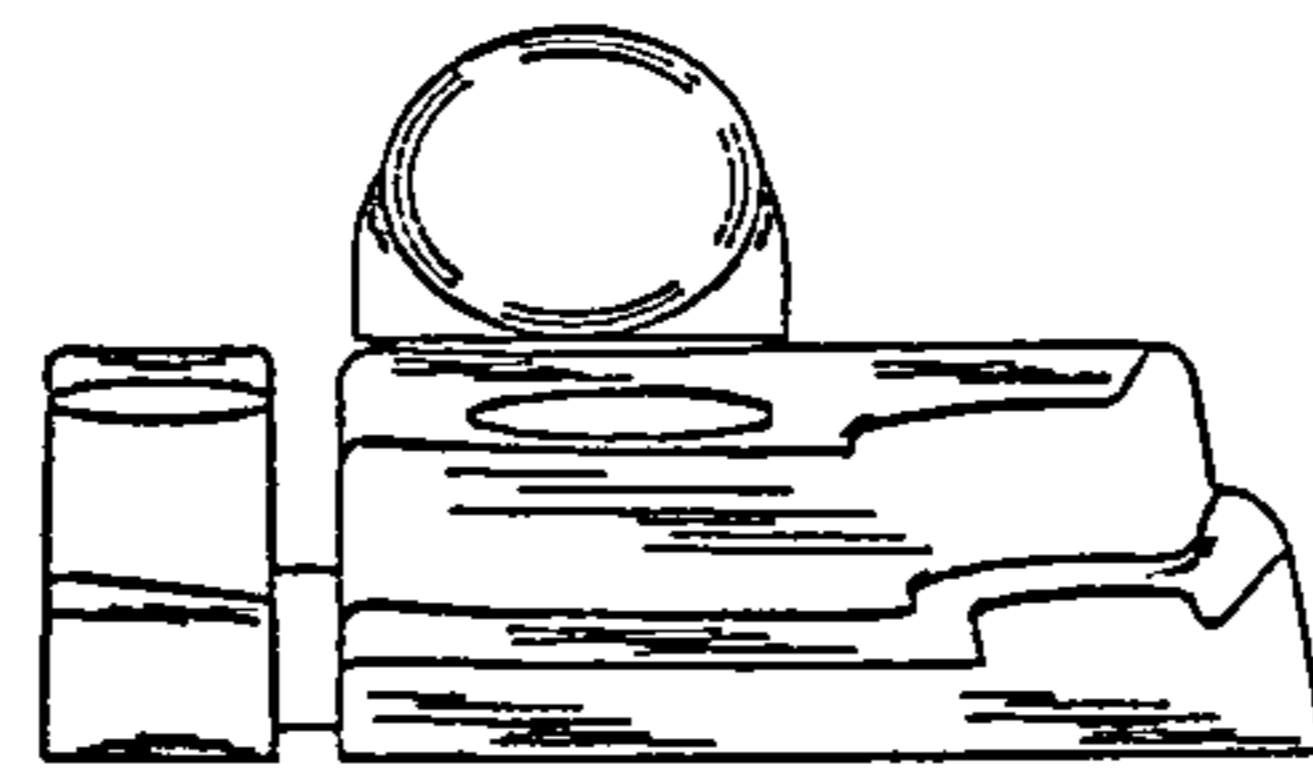


FIG. 6

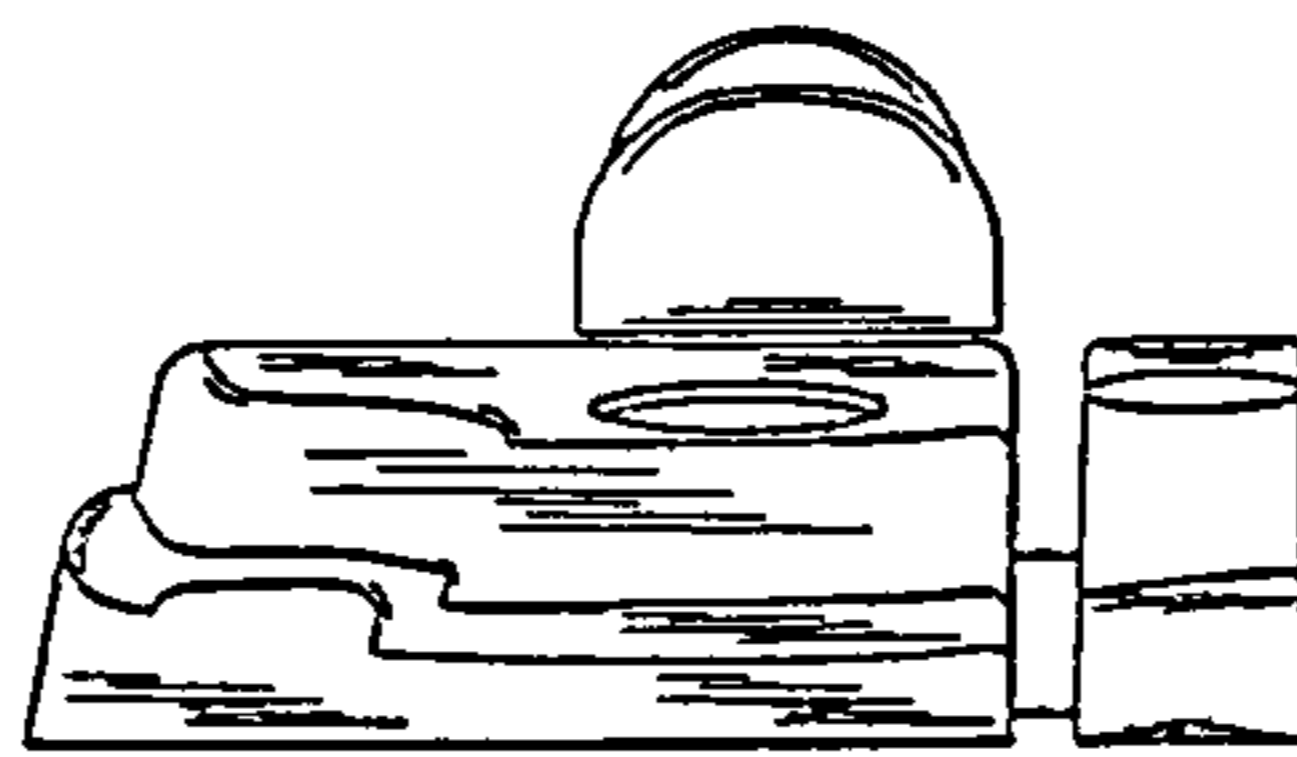


FIG. 7