



US00D721941S

(12) **United States Design Patent**
Han

(10) **Patent No.:** **US D721,941 S**

(45) **Date of Patent:** **** *Feb. 3, 2015**

(54) **CABINET KNOB**

(71) Applicant: **Hardware Resources, Inc.**, Bossier City, LA (US)

(72) Inventor: **Kukjin Han**, High Point, NC (US)

(73) Assignee: **Hardware Resources, Inc.**, Bossier City, LA (US)

(*) Notice: This patent is subject to a terminal disclaimer.

(**) Term: **14 Years**

(21) Appl. No.: **29/456,902**

(22) Filed: **Jun. 5, 2013**

(51) **LOC (10) Cl.** **08-06**

(52) **U.S. Cl.**
USPC **D8/307**

(58) **Field of Classification Search**
CPC A47B 95/02
USPC D8/300, 307, 305, DIG. 1, DIG. 2;
D23/250, 254; 16/110.1, 430, 431,
16/417, 415; 292/347; 40/331; D7/393;
D11/222

See application file for complete search history.

(56) **References Cited**

U.S. PATENT DOCUMENTS

D64,095 S *	2/1924	Yates	D8/307
1,496,435 A *	6/1924	Soreng	292/347
1,918,243 A *	7/1933	Bergaud	40/311
2,190,192 A *	2/1940	Raymond	16/417

2,679,913 A *	6/1954	Scott	403/273
2,796,627 A *	6/1957	Heyer	16/417
D271,464 S *	11/1983	Carlson	D8/301
D431,442 S *	10/2000	Short	D8/307
D540,141 S *	4/2007	Berberet	D8/307
D542,622 S *	5/2007	Ricereto	D8/307
D549,544 S *	8/2007	Mattson et al.	D8/307
D579,746 S *	11/2008	Krumpe	D8/307
D588,896 S *	3/2009	Ricereto	D8/307
D598,267 S *	8/2009	Menzies	D8/307
D606,381 S *	12/2009	Menzies	D8/307
D643,276 S *	8/2011	Roe et al.	D8/307
D645,723 S *	9/2011	Roe et al.	D8/307
D649,426 S *	11/2011	Roe et al.	D8/307
D649,856 S *	12/2011	Mattson	D8/307
D707,098 S *	6/2014	Han	D8/307
D708,040 S *	7/2014	Han	D8/307

* cited by examiner

Primary Examiner — Paula Greene

(74) *Attorney, Agent, or Firm* — Schultz & Associates, P.C.

(57) **CLAIM**

The ornamental design for a cabinet knob, as shown and described.

DESCRIPTION

FIG. 1 is a perspective view of a cabinet knob showing my new design;

FIG. 2 is a side elevation view thereof;

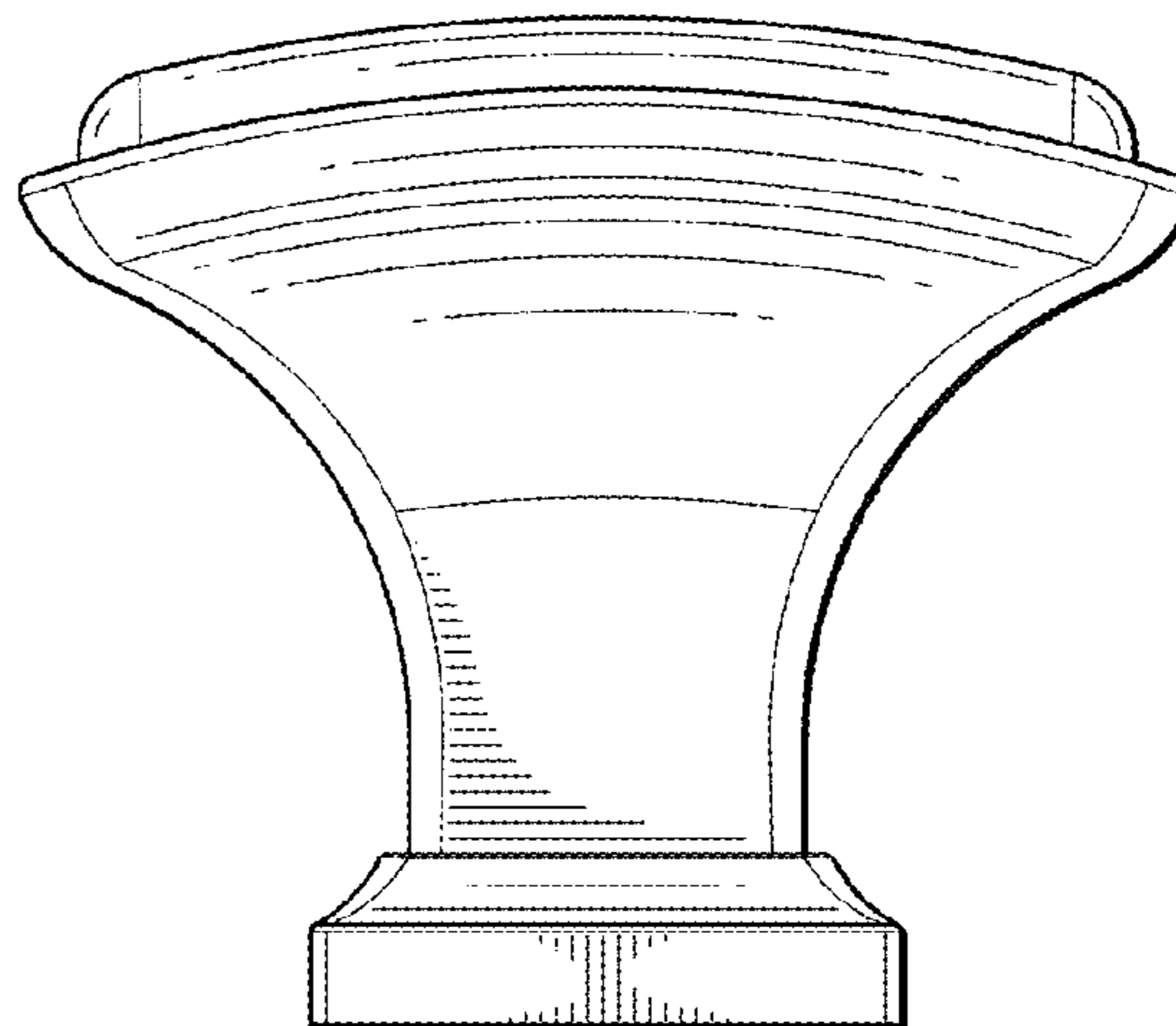
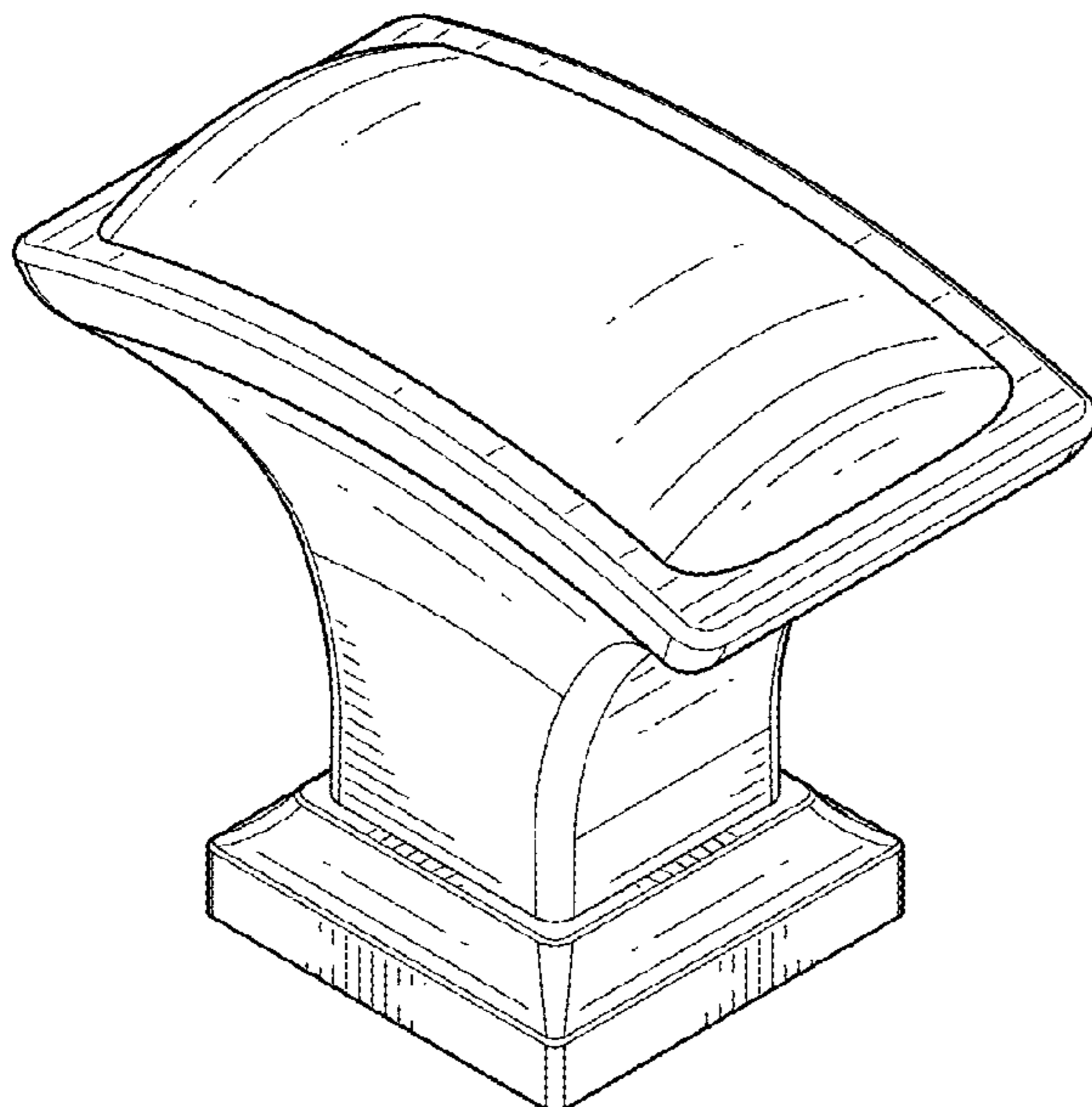
FIG. 3 is a side elevation view thereof;

FIG. 4 is a top plan view thereof; and,

FIG. 5 is a bottom plan view thereof.

The broken lines shown represent unclaimed subject matter and form no part of the claimed design.

1 Claim, 2 Drawing Sheets



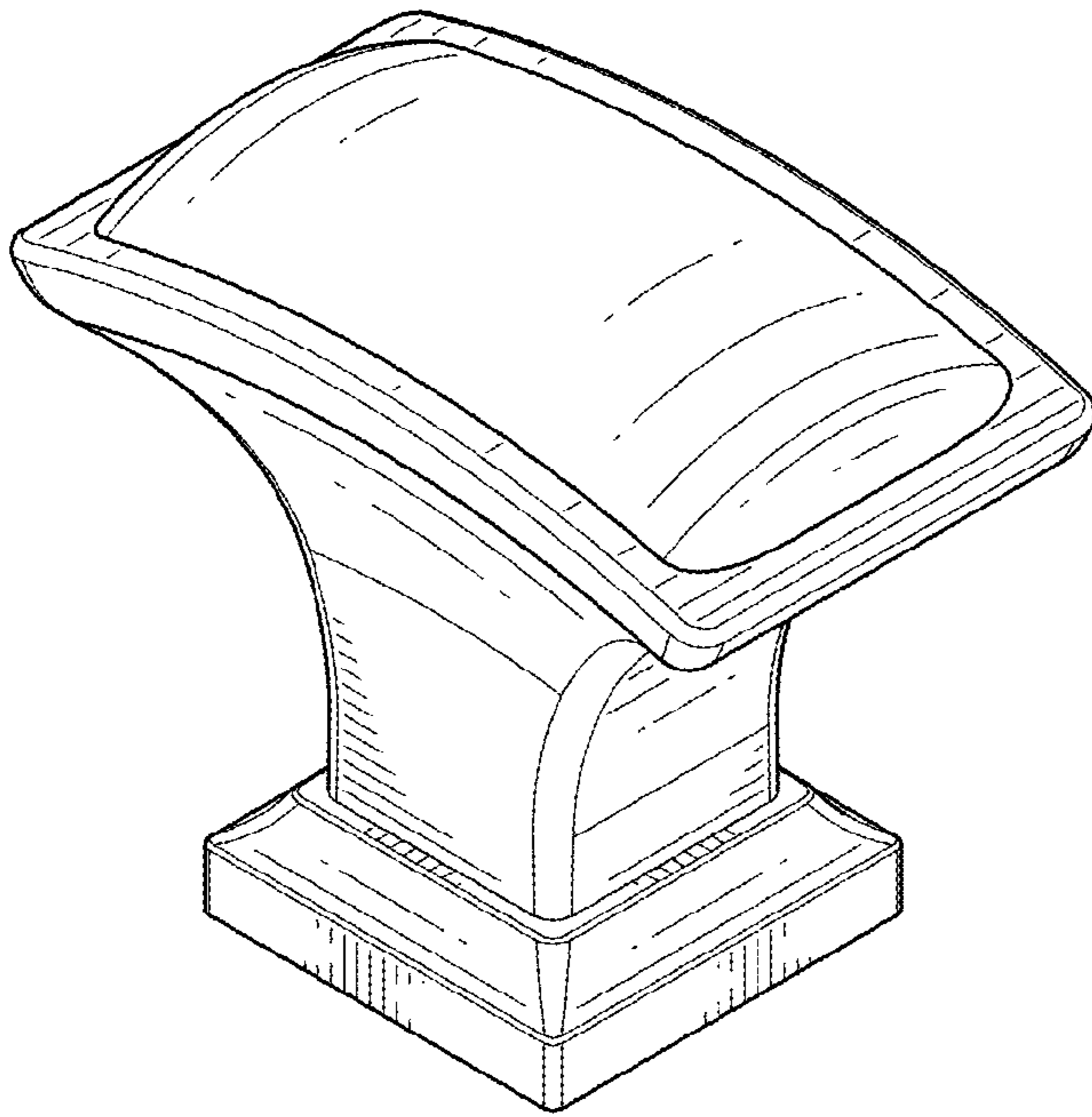


FIG. 1

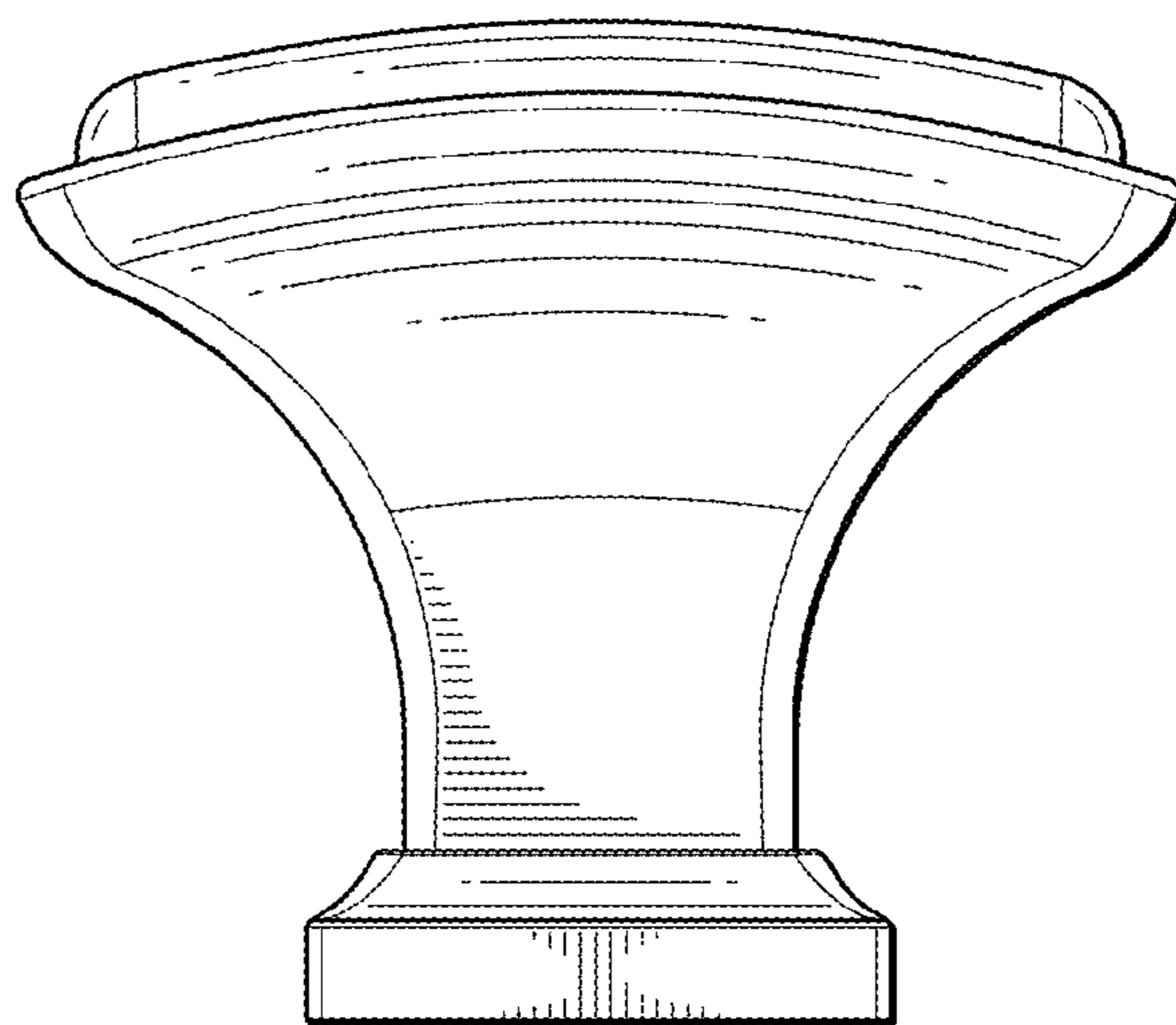


FIG. 2

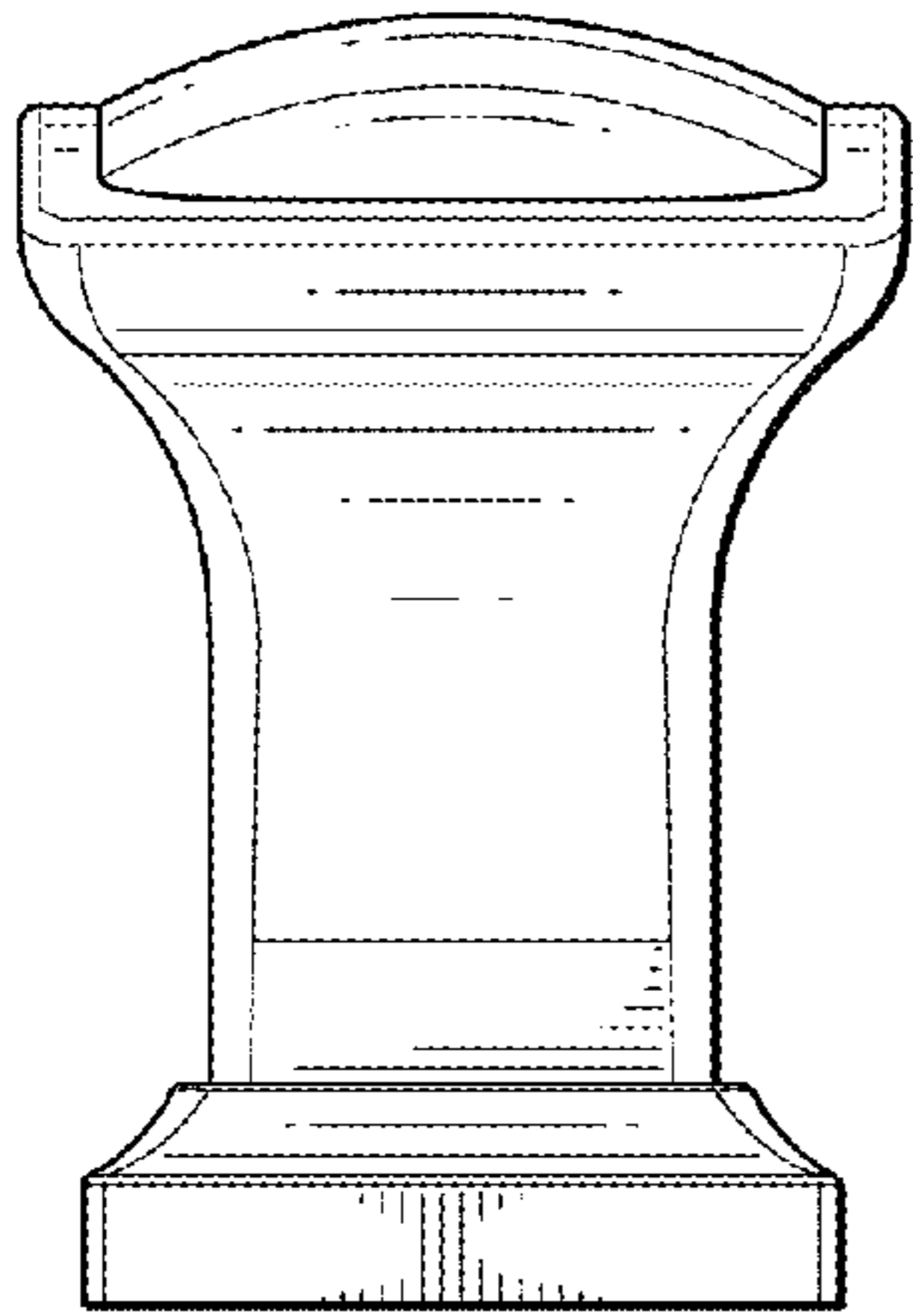


FIG. 3

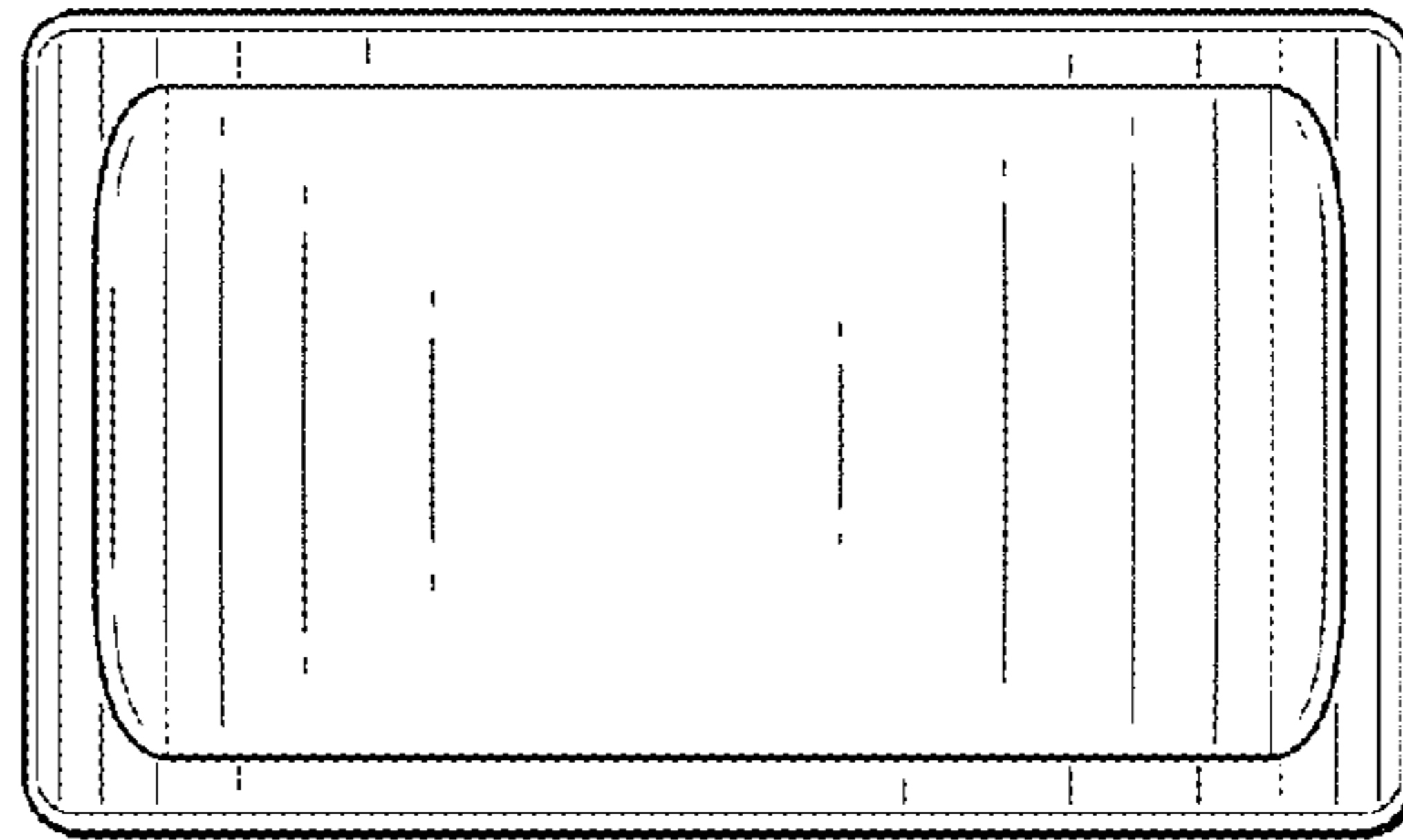


FIG. 4

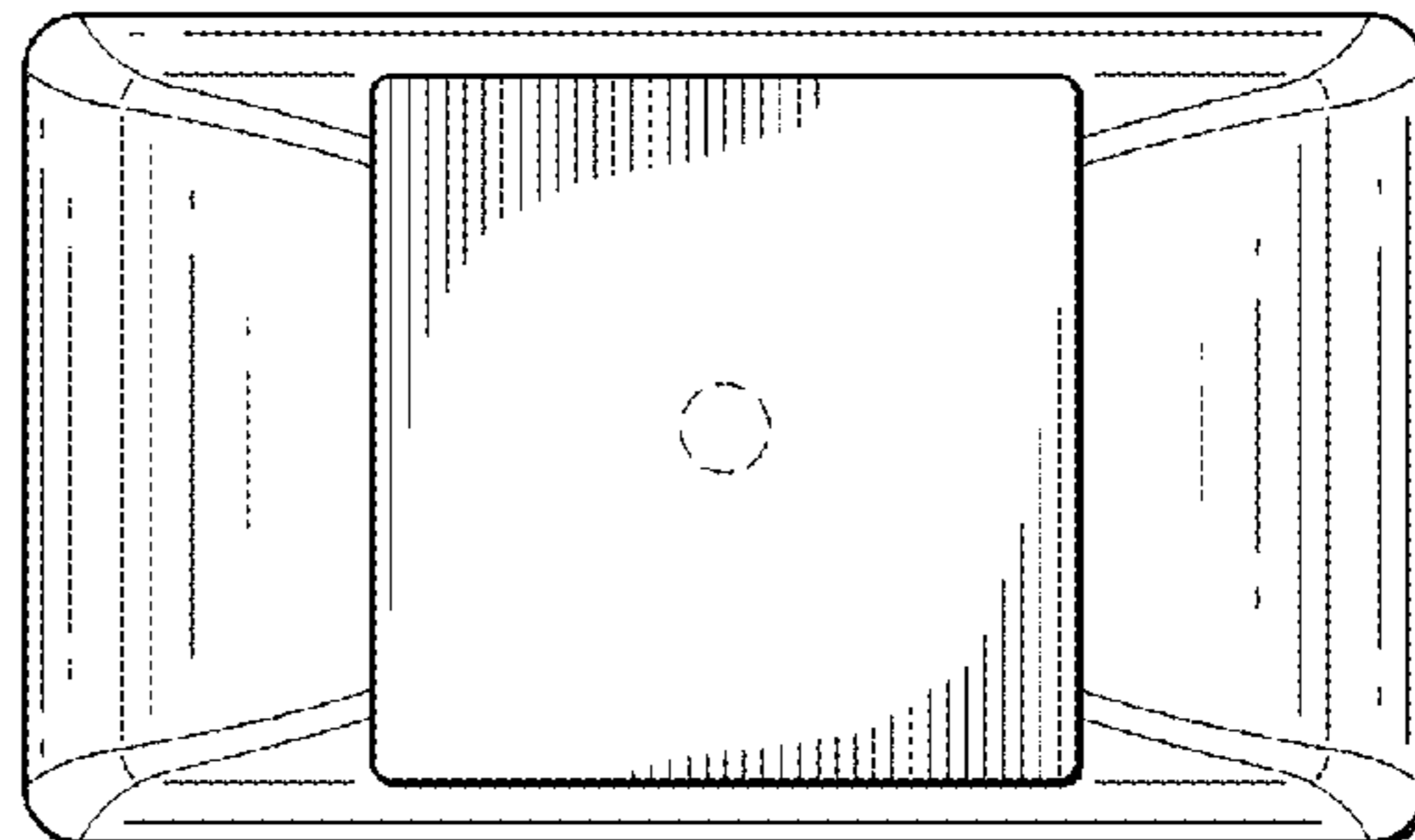


FIG. 5