



US00D721940S

(12) **United States Design Patent**
Vanderbeek

(10) **Patent No.:** **US D721,940 S**
(45) **Date of Patent:** **** Feb. 3, 2015**

- (54) **HACKSAW**
- (71) Applicant: **Stanley Black & Decker, Inc.**, New Britain, CT (US)
- (72) Inventor: **Karl Vanderbeek**, Germantown, OH (US)
- (73) Assignee: **Stanley Black & Decker Inc.**, New Britain, CT (US)
- (**) Term: **14 Years**
- (21) Appl. No.: **29/462,893**
- (22) Filed: **Aug. 9, 2013**
- (51) **LOC (10) Cl.** **08-03**
- (52) **U.S. Cl.**
USPC **D8/96**
- (58) **Field of Classification Search**
USPC D8/95, 96, 97, 98, 99; 30/506, 507, 30/510-517
See application file for complete search history.

D477,519 S *	7/2003	Seloron	D8/96
6,772,522 B1 *	8/2004	Huang et al.	30/513
D504,802 S *	5/2005	Heneen et al.	D8/96
D513,473 S *	1/2006	Huang	D8/96
D514,418 S *	2/2006	Critelli et al.	D8/97
D536,230 S *	2/2007	Dufour	D8/96
7,254,893 B1 *	8/2007	Huang	30/512
D551,048 S *	9/2007	Huang	D8/96
D551,532 S *	9/2007	Huang	D8/96
7,644,501 B2 *	1/2010	Chao	30/512

* cited by examiner

Primary Examiner — Phillip S Hyder
(74) *Attorney, Agent, or Firm* — Gabriel A. Haboubi

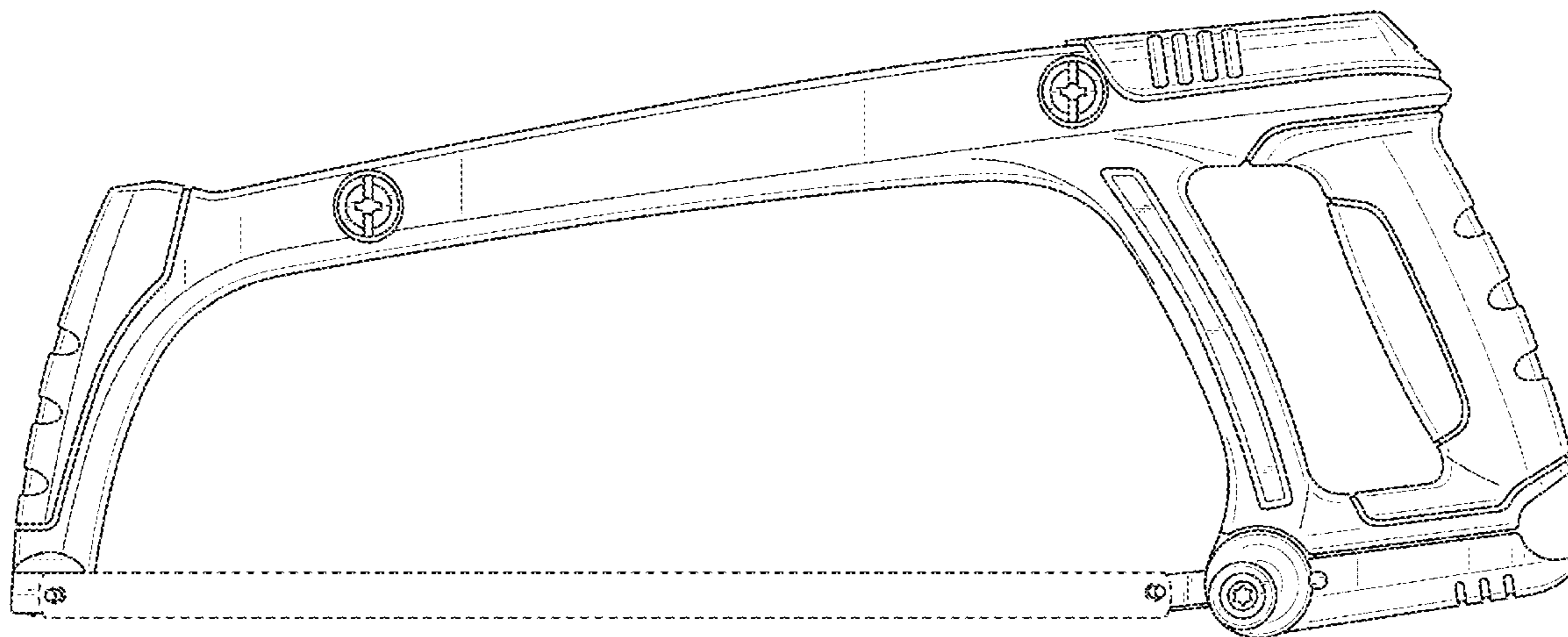
(57) **CLAIM**
The ornamental design for a hacksaw, as shown and described.

DESCRIPTION

FIG. 1 is a left/rear perspective view of a hacksaw.
FIG. 2 is a front view thereof.
FIG. 3 is a rear view thereof.
FIG. 4 is a right side view thereof.
FIG. 5 is a left side view thereof.
FIG. 6 is a top view thereof; and,
FIG. 7 is a bottom view thereof.
The broken lines showing the hacksaw blade is included for the purpose of illustrating environmental structure that forms no part of the claimed design.

1 Claim, 5 Drawing Sheets

- (56) **References Cited**
U.S. PATENT DOCUMENTS
D370,610 S * 6/1996 Neyton D8/96
D472,445 S * 4/2003 Juhlin et al. D8/96



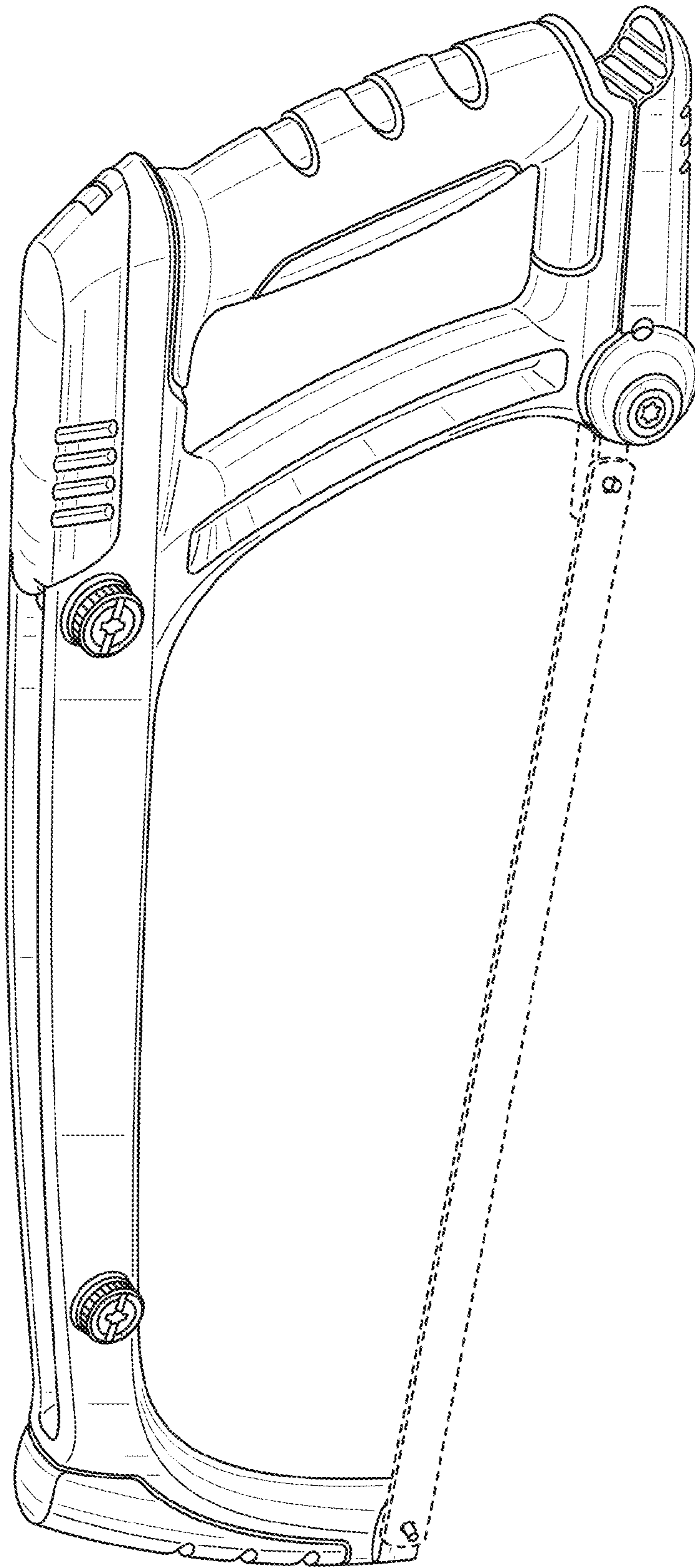


FIG. 1

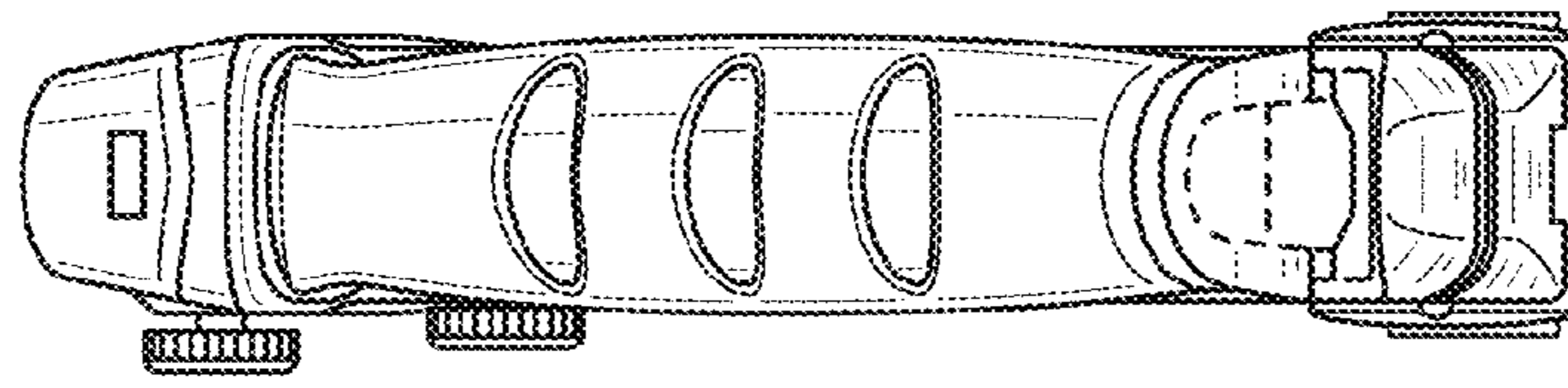


FIG. 3

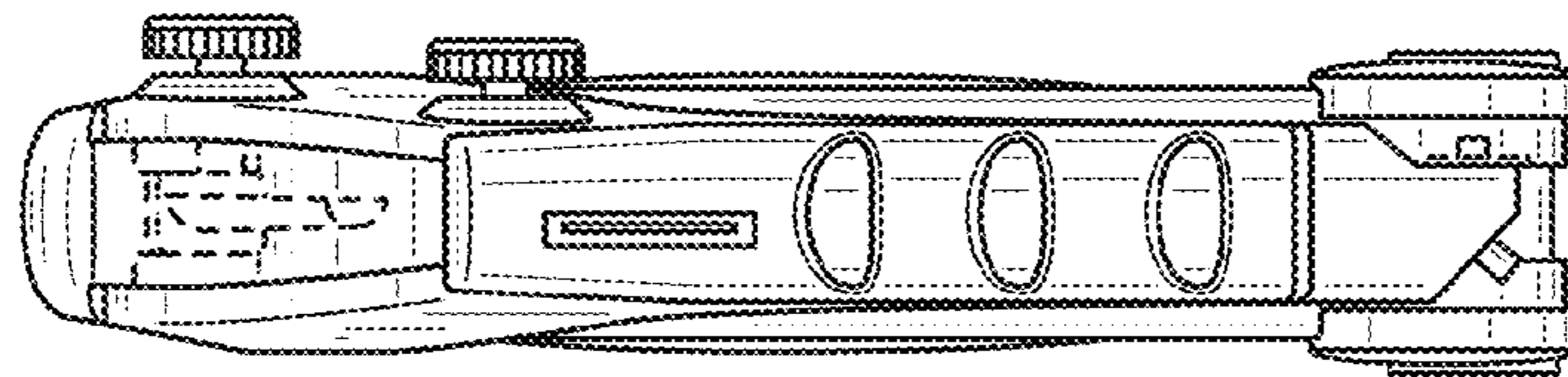


FIG. 2

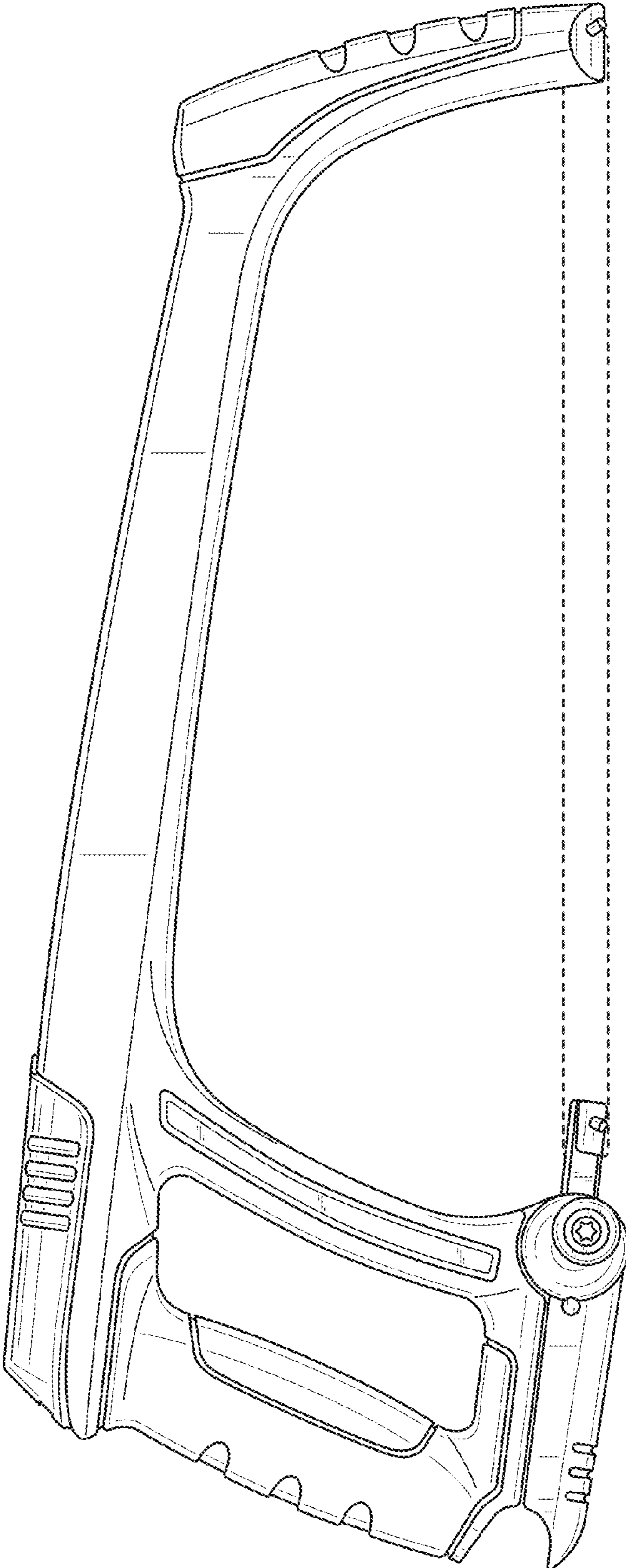


FIG. 4

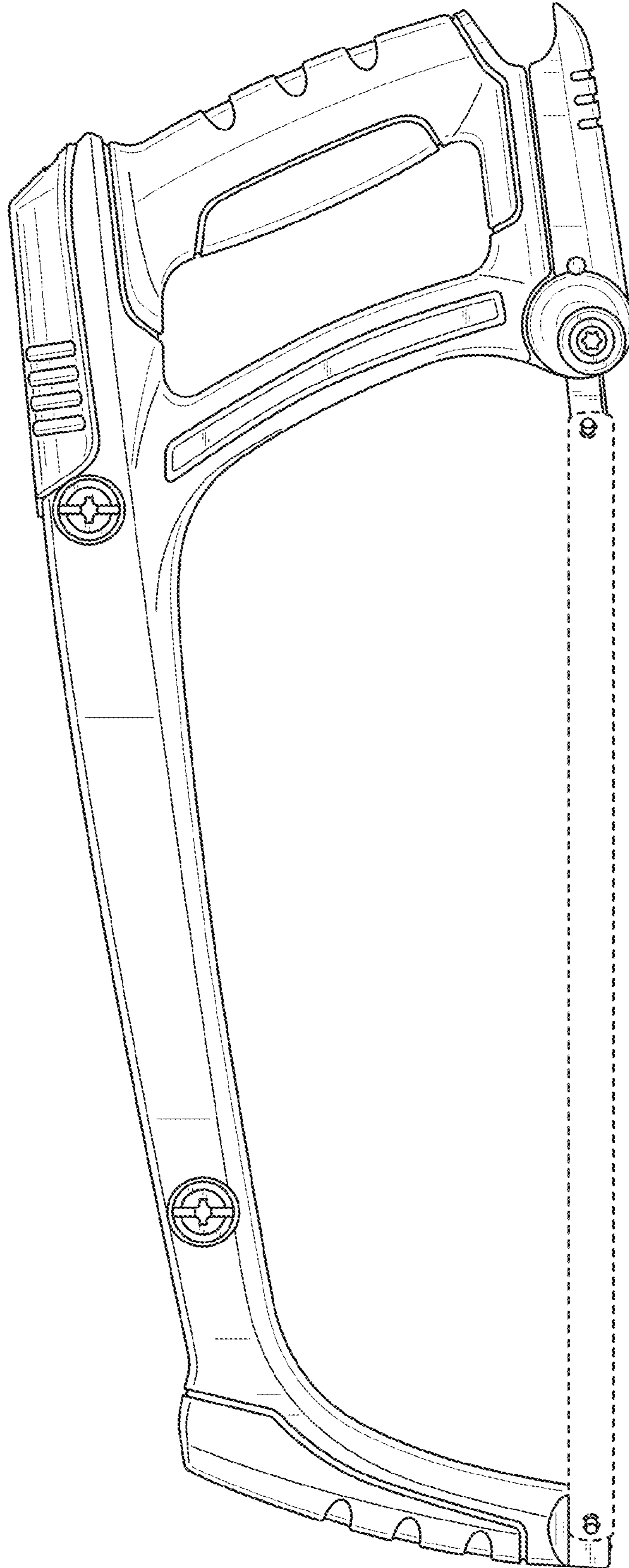


FIG. 5

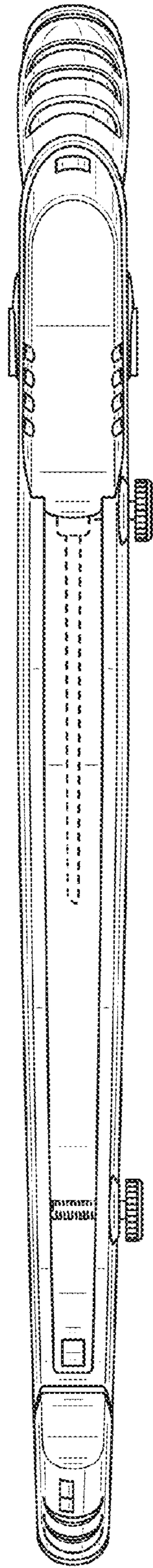


FIG. 6

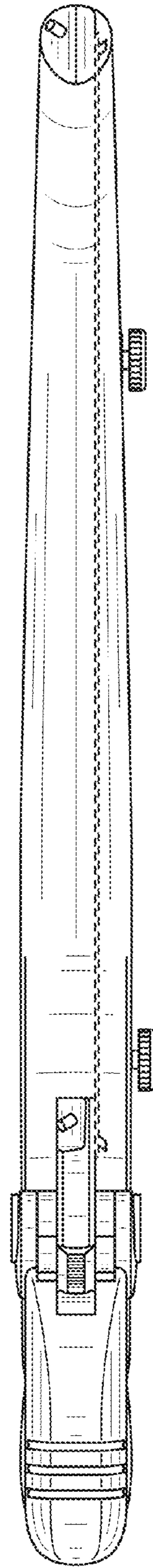


FIG. 7