



US00D721939S

(12) **United States Design Patent**  
**McRoberts et al.**

(10) **Patent No.:** **US D721,939 S**  
(45) **Date of Patent:** **\*\* Feb. 3, 2015**

- (54) **POWER TOOL ATTACHMENT HEAD**
- (71) Applicant: **Black & Decker Inc.**, Newark, DE (US)
- (72) Inventors: **Jason McRoberts**, Windsor, PA (US);  
**Steven McClaskey**, North Las Vegas,  
NV (US); **Thomas W. Murray**,  
Baltimore, MD (US)
- (73) Assignee: **Black & Decker Inc.**, Newark, DE (US)
- (\*\*) Term: **14 Years**
- (21) Appl. No.: **29/468,969**
- (22) Filed: **Oct. 4, 2013**

6,206,107	B1	3/2001	Wadge
6,263,980	B1	7/2001	Wadge
D447,037	S	8/2001	Netzler
D447,038	S	8/2001	Netzler
6,286,611	B1	9/2001	Bone
6,553,642	B2	4/2003	Driessen
6,634,439	B2	10/2003	Driessen
6,641,467	B1	11/2003	Robson et al.
6,675,911	B2	1/2004	Driessen
D587,978	S	3/2009	Aglassinger
D626,395	S	11/2010	Lau et al.
D627,204	S	11/2010	Harrison et al.
D683,605	S	6/2013	Keith et al.
D683,606	S	6/2013	Keith et al.
2013/0049272	A1*	2/2013	Marx et al. .... 267/141.2
2013/0118767	A1*	5/2013	Cannaliato et al. .... 173/29

\* cited by examiner

**Related U.S. Application Data**

- (63) Continuation of application No. 29/426,951, filed on Jul. 12, 2012, now Pat. No. Des. 692,741, which is a continuation of application No. 29/412,685, filed on Feb. 7, 2012, now Pat. No. Des. 665,645, which is a continuation of application No. 29/406,315, filed on Nov. 11, 2011, now Pat. No. Des. 665,644.
- (51) **LOC (10) Cl.** ..... **08-05**
- (52) **U.S. Cl.**  
USPC ..... **D8/70**
- (58) **Field of Classification Search**  
USPC ..... D8/70; 7/158; 29/453, 525, 560;  
30/500, DIG. 1; 173/29, 170, 171, 216,  
173/217; 200/43.16, 20.01, 61.58 R, 334;  
310/50; 408/4, 20, 22, 31; 451/334,  
451/363, 415  
See application file for complete search history.

(56) **References Cited**

**U.S. PATENT DOCUMENTS**

D420,267	S	2/2000	Robson
6,153,838	A	11/2000	Wadge
6,170,579	B1	1/2001	Wadge
6,176,322	B1	1/2001	Wadge

*Primary Examiner* — Antoine D Davis

(74) *Attorney, Agent, or Firm* — Stephen R. Valancius

(57) **CLAIM**

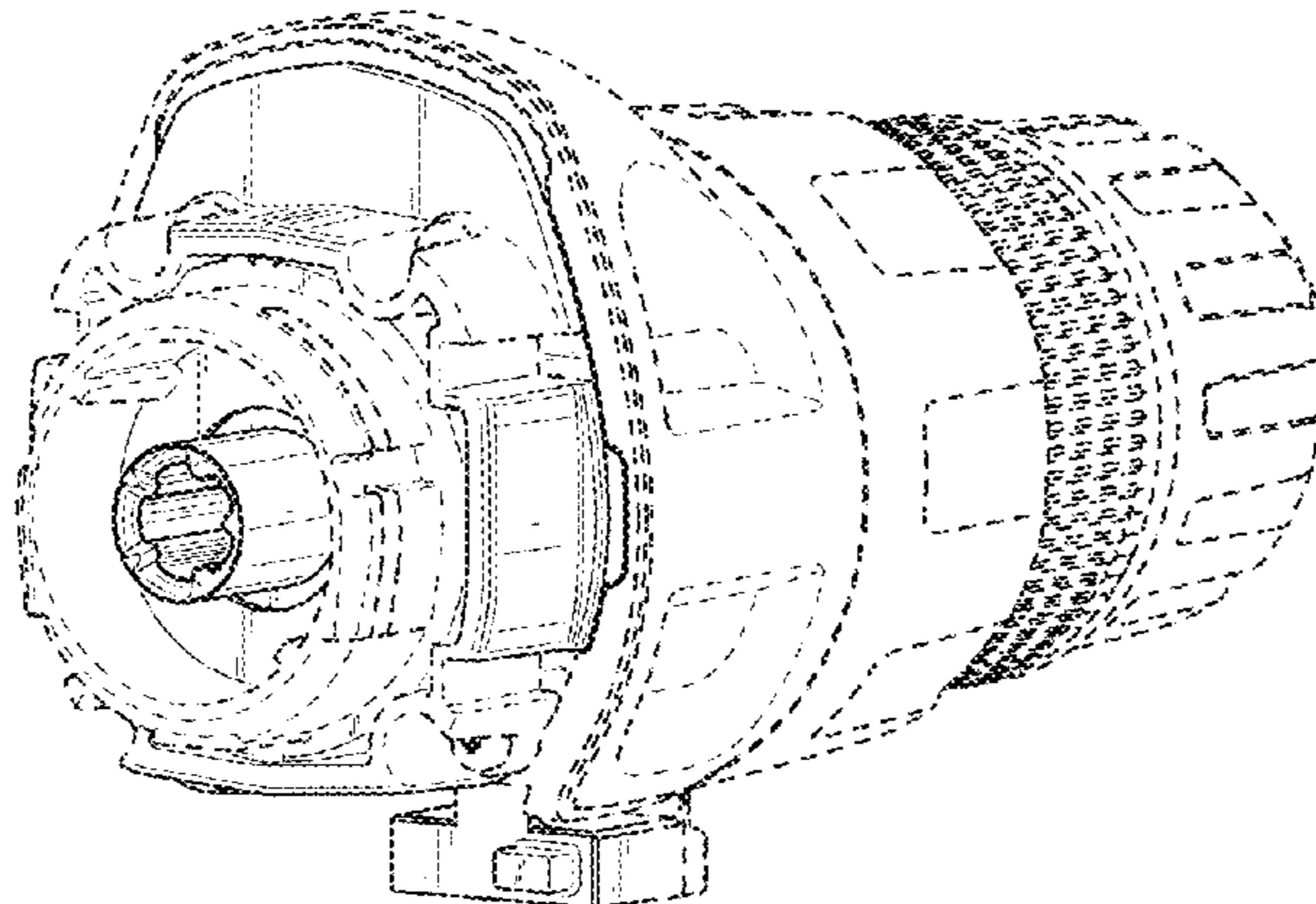
The ornamental design for a power tool attachment head, as shown and described.

**DESCRIPTION**

FIG. 1 is a perspective view of a power tool attachment head according to the present invention;  
 FIG. 2 is a front view of the power tool attachment head of FIG. 1;  
 FIG. 3 is a back view of the power tool attachment head of FIG. 1;  
 FIG. 4 is a right side view of the power tool attachment head of FIG. 1;  
 FIG. 5 is a left side view of the power tool attachment head of FIG. 1;  
 FIG. 6 is a top view of the power tool attachment head of FIG. 1; and,  
 FIG. 7 is a bottom view of the power tool attachment head of FIG. 1.

The broken lines in the figures illustrate features that form no part of the claimed design.

**1 Claim, 6 Drawing Sheets**



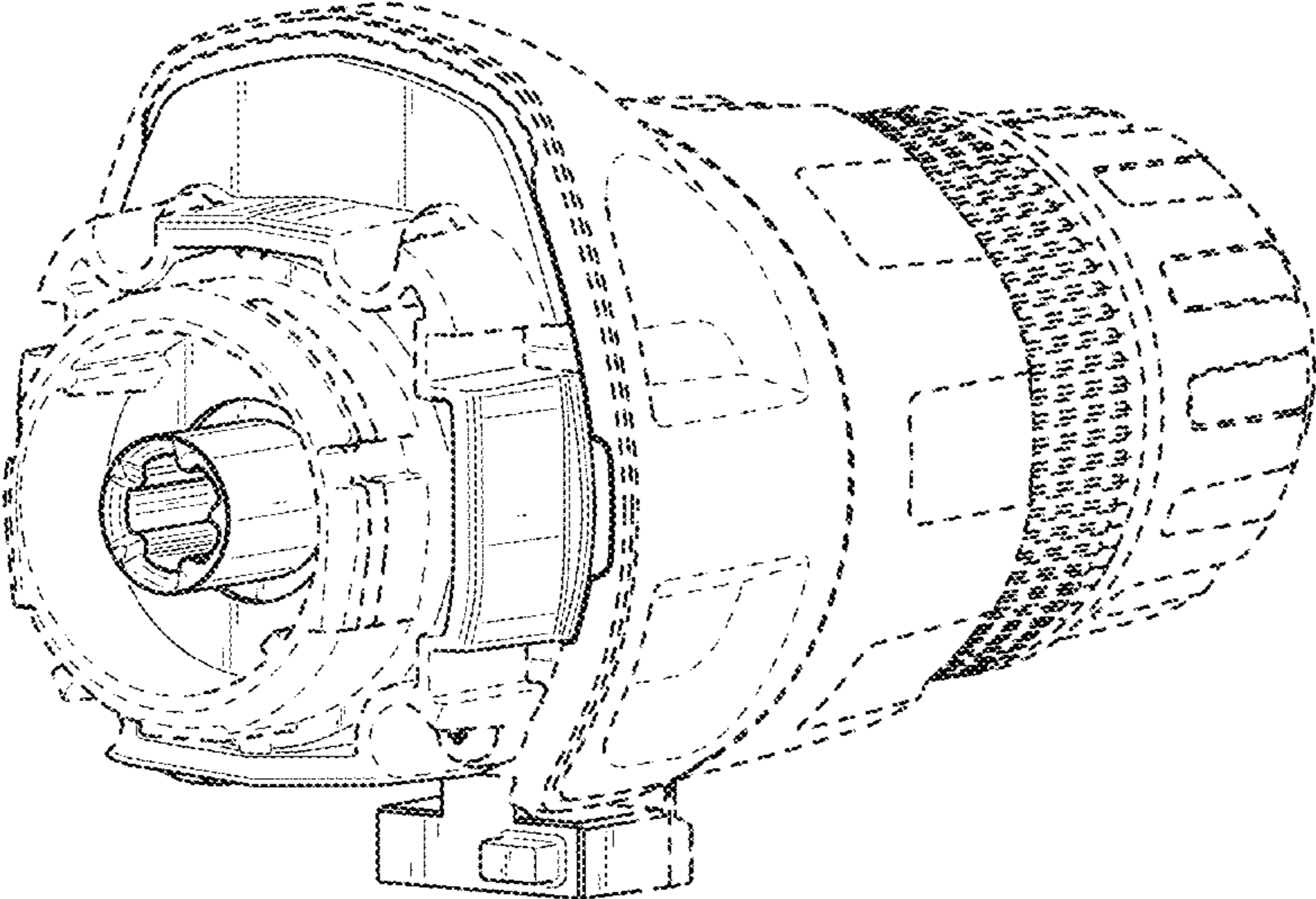


FIG. 1

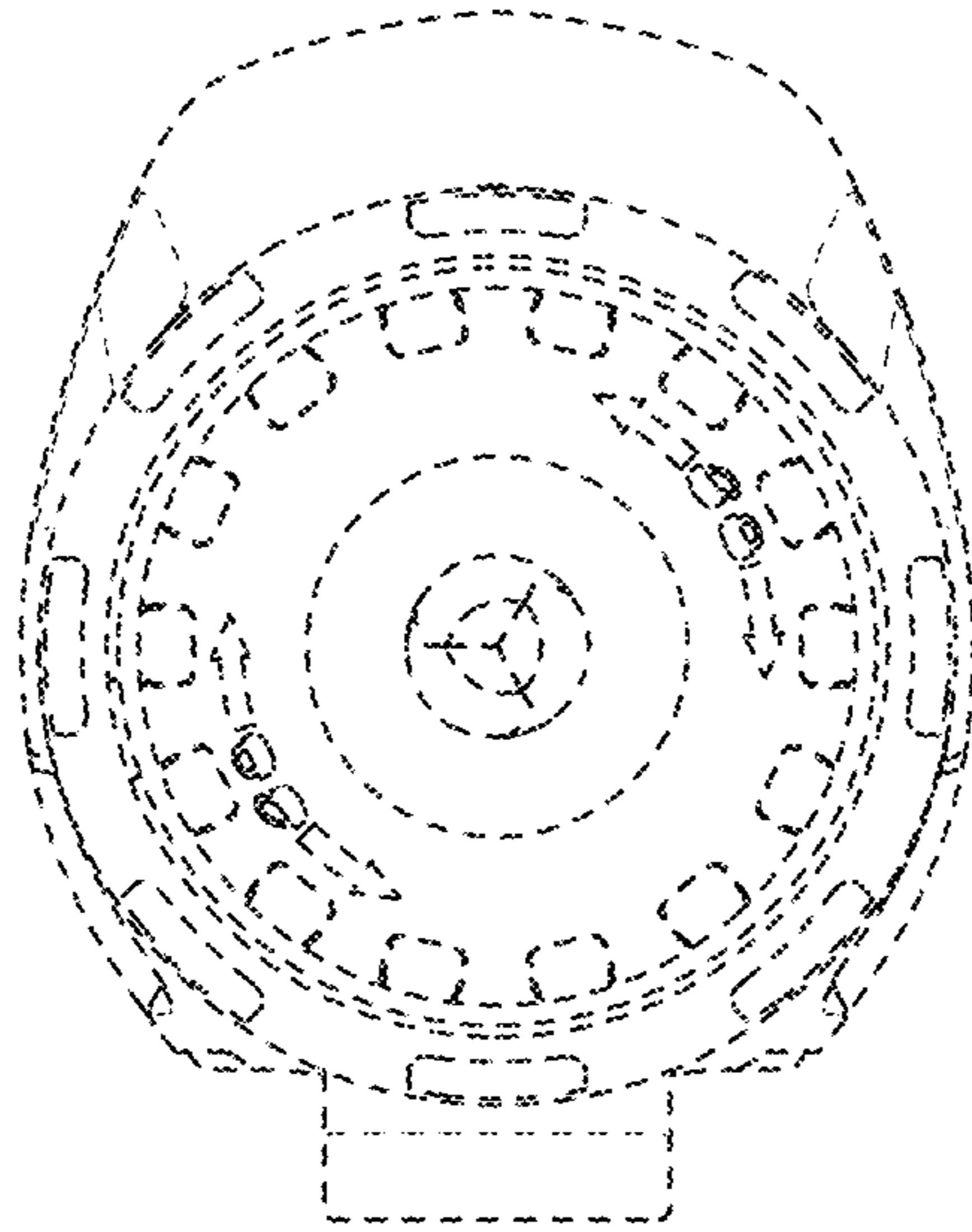


FIG. 2

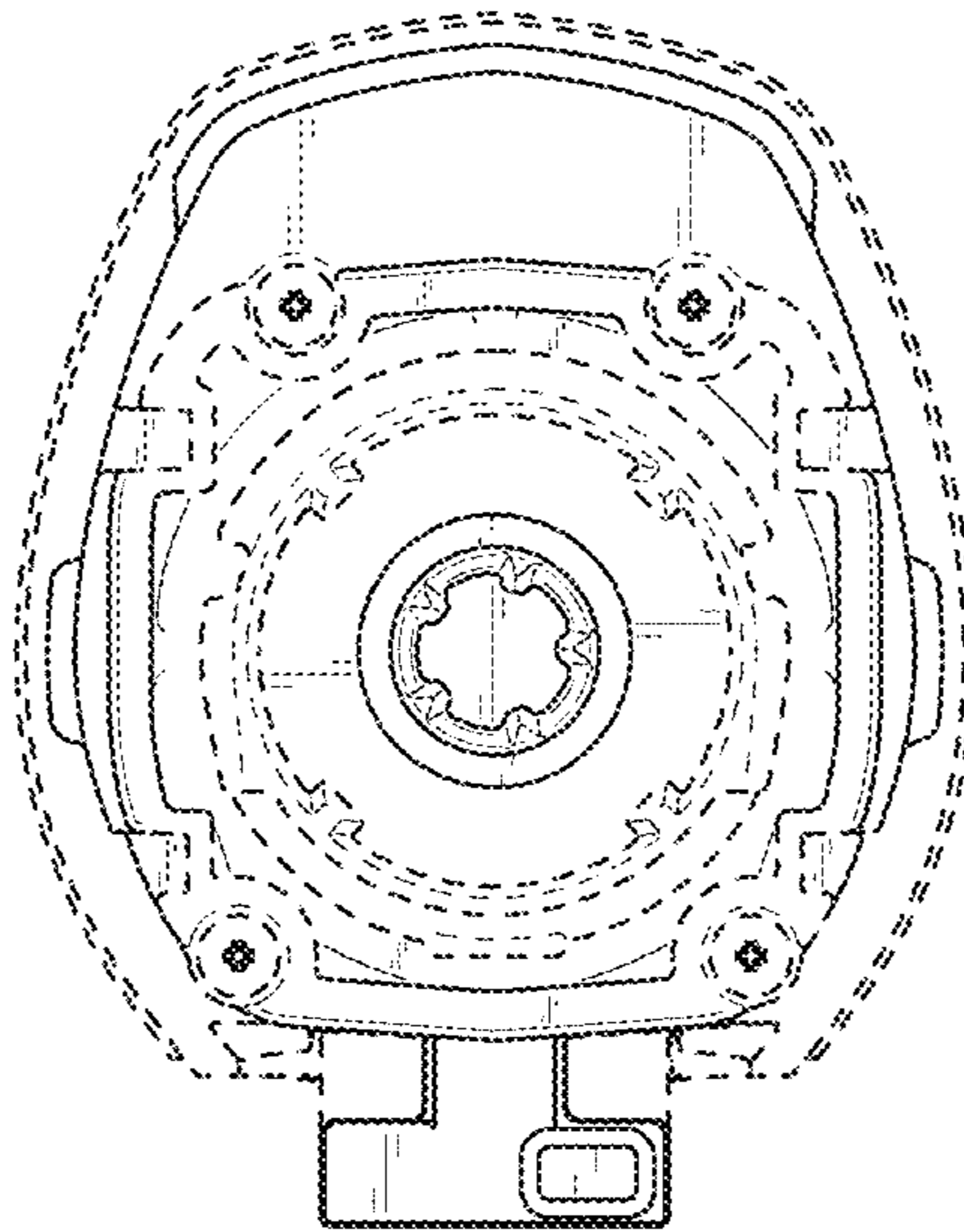


FIG. 3

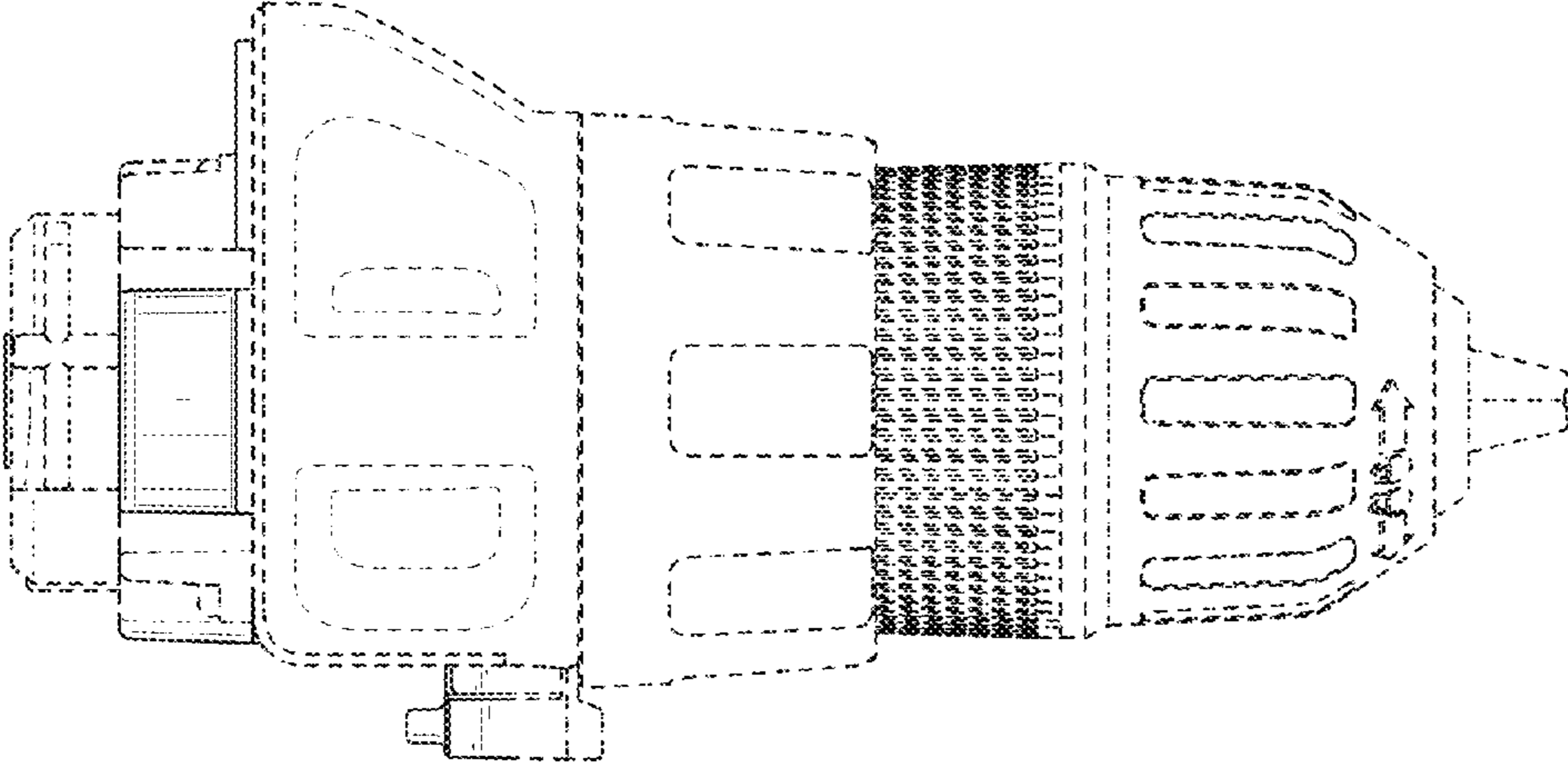


FIG. 4

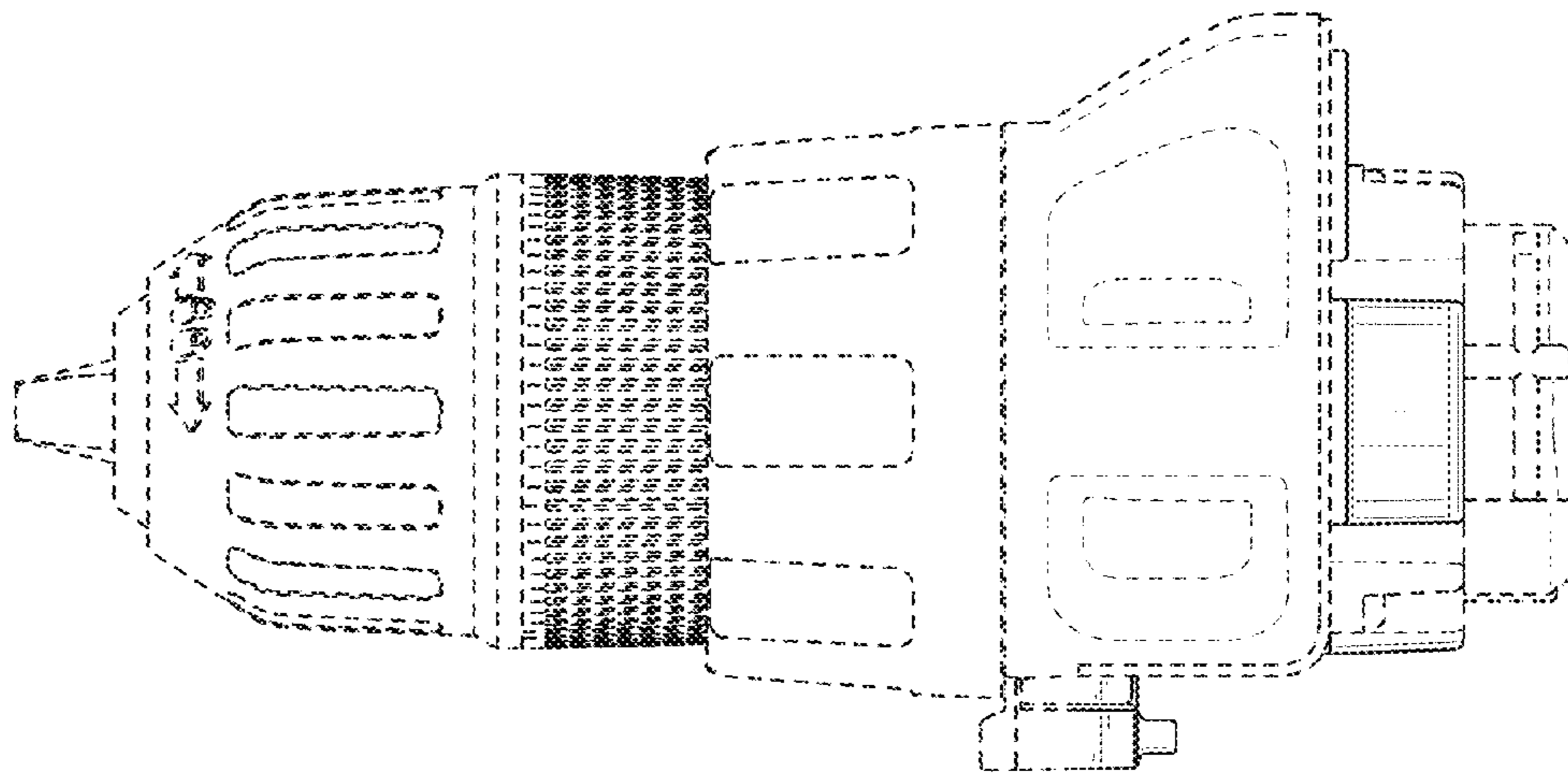


FIG. 5

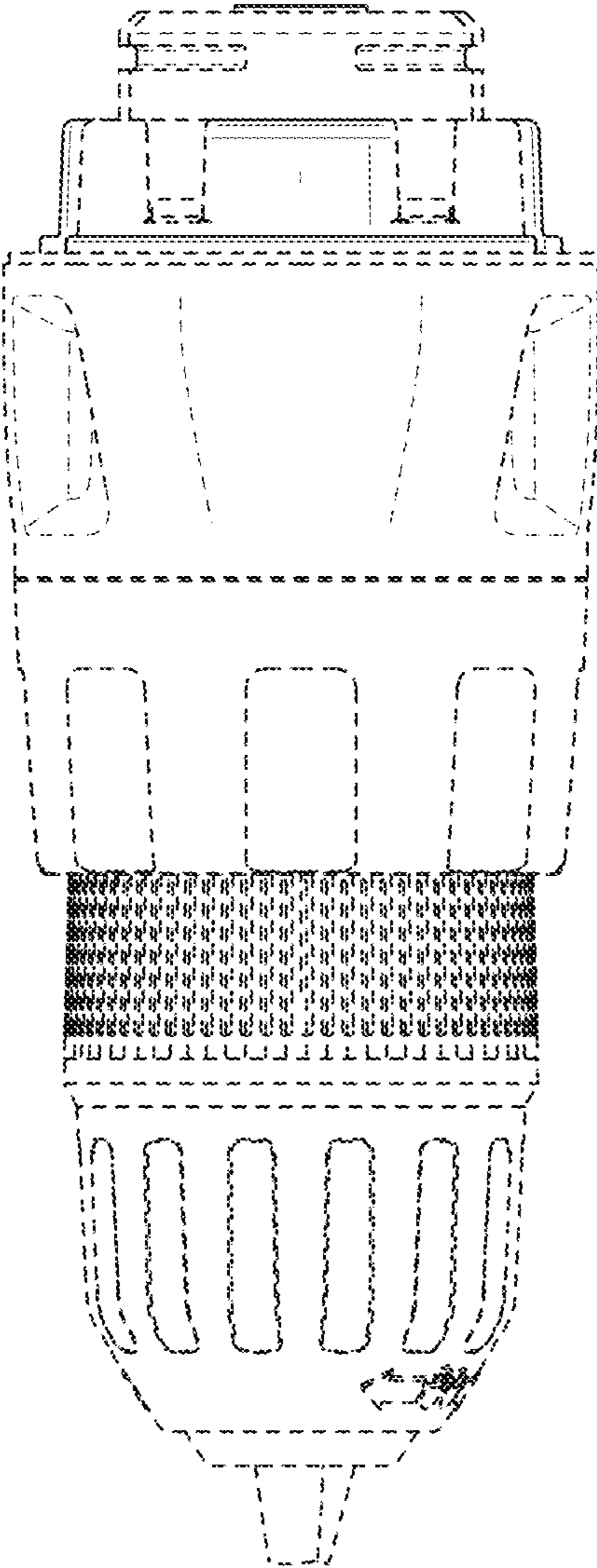


FIG. 6

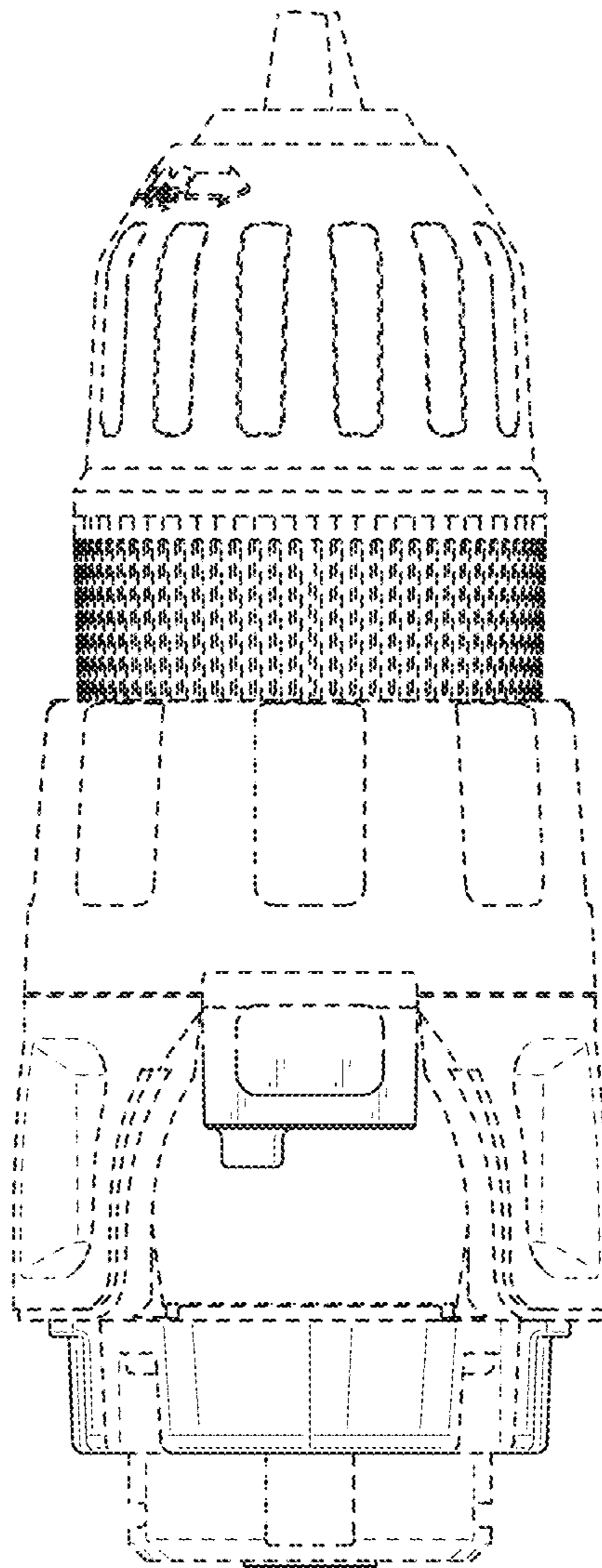


FIG. 7