



US00D721938S

(12) **United States Design Patent**
Aoki et al.

(10) **Patent No.:** **US D721,938 S**
(45) **Date of Patent:** **** Feb. 3, 2015**

(54) **PORTABLE ELECTRIC DRIVER**
(71) Applicant: **Hitachi Koki Co., Ltd.**, Minato-ku,
Tokyo (JP)
(72) Inventors: **Yoshiki Aoki**, Hitachinaka (JP);
Masanori Okada, Hitachinaka (JP);
Hiroyuki Hasegawa, Hitachinaka (JP);
Hiroki Uchida, Hitachinaka (JP)

D565,375	S	*	4/2008	Shi	D8/68
D585,714	S	*	2/2009	Okuda et al.	D8/68
D614,468	S	*	4/2010	Aglassinger	D8/68
D617,622	S	*	6/2010	Lopano	D8/68
D655,994	S	*	3/2012	Schoch	D8/68
D656,804	S	*	4/2012	Murray	D8/68
D672,627	S	*	12/2012	Kawase et al.	D8/68
D691,444	S	*	10/2013	Tirone et al.	D8/68
2006/0102367	A1	*	5/2006	Etter et al.	173/218
2012/0061117	A1	*	3/2012	Nagasaka et al.	173/217

(73) Assignee: **Hitachi Koki Co., Ltd.**, Minato-Ku,
Tokyo (JP)

(**) Term: **14 Years**

(21) Appl. No.: **29/459,018**

(22) Filed: **Jun. 25, 2013**

(30) **Foreign Application Priority Data**

Dec. 26, 2012 (JP) 2012-031655

(51) **LOC (10) Cl.** **08-03**

(52) **U.S. Cl.**
USPC **D8/68**

(58) **Field of Classification Search**

CPC B62D 23/005; B62D 29/00; B62D 29/043;
B62D 31/00; B62D 33/046; B62D 35/00;
B62D 35/001; B60Q 1/0005
USPC D8/61, 67, 68; 81/57.4, 489; 173/48,
173/109, 170, 178, 217; 408/124, 125;
362/119; 475/149

See application file for complete search history.

(56) **References Cited**

U.S. PATENT DOCUMENTS

D505,055	S	*	5/2005	Nagasaka et al.	D8/68
D508,642	S	*	8/2005	Kokawa et al.	D8/68
D534,048	S	*	12/2006	Tsai et al.	D8/68

OTHER PUBLICATIONS

“WH18DBDL 18V Lithium Ion Brushless Impact Driver”. Hitachi.com., Aug. 8, 2013 [online], [retrieved on Mar. 10, 2014]. Retrieved from the Internet <URL: http://www.hitachi-koki.com/powertools/products/catalog/wh14ddl_c.pdf>.*

(Continued)

Primary Examiner — Philip S Hyder

Assistant Examiner — Darlington Ly

(74) *Attorney, Agent, or Firm* — Banner & Witcoff, Ltd.

(57)

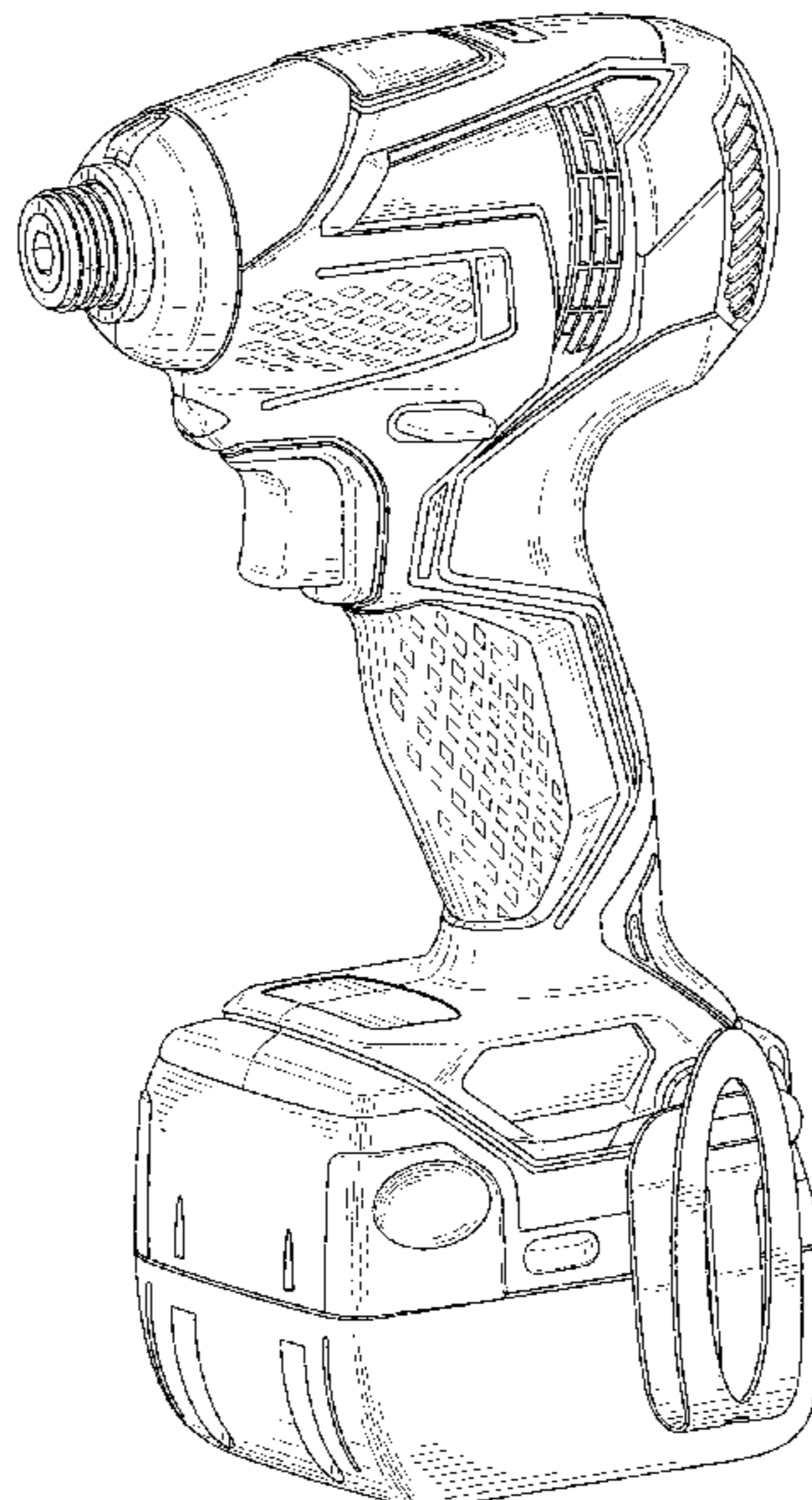
CLAIM

The ornamental design for a portable electric driver, as shown and described.

DESCRIPTION

FIG. 1 is a front perspective view of the portable electric driver showing our new design;
FIG. 2 is a rear perspective view thereof;
FIG. 3 is a front view thereof;
FIG. 4 is a rear view thereof;
FIG. 5 is a left side view thereof;
FIG. 6 is a right side view thereof;
FIG. 7 is a top plan view thereof; and,
FIG. 8 is a bottom plan view thereof.
The broken lines represent the portions of the design that form no part of the claim.

1 Claim, 6 Drawing Sheets



(56)

References Cited

OTHER PUBLICATIONS

“Hitachi Cordless Impact Drivers—WH 14DDL / WH 18DDL”.
Hitachi-koki.com., Sep. 24, 2012 [online], [retrieved on Mar. 10,

2014]. Retrieved from the Internet <URL: <http://www.hitachipowertools.com/index/main-navigation/tools.aspx?d=2,20&p=817>>.*

* cited by examiner

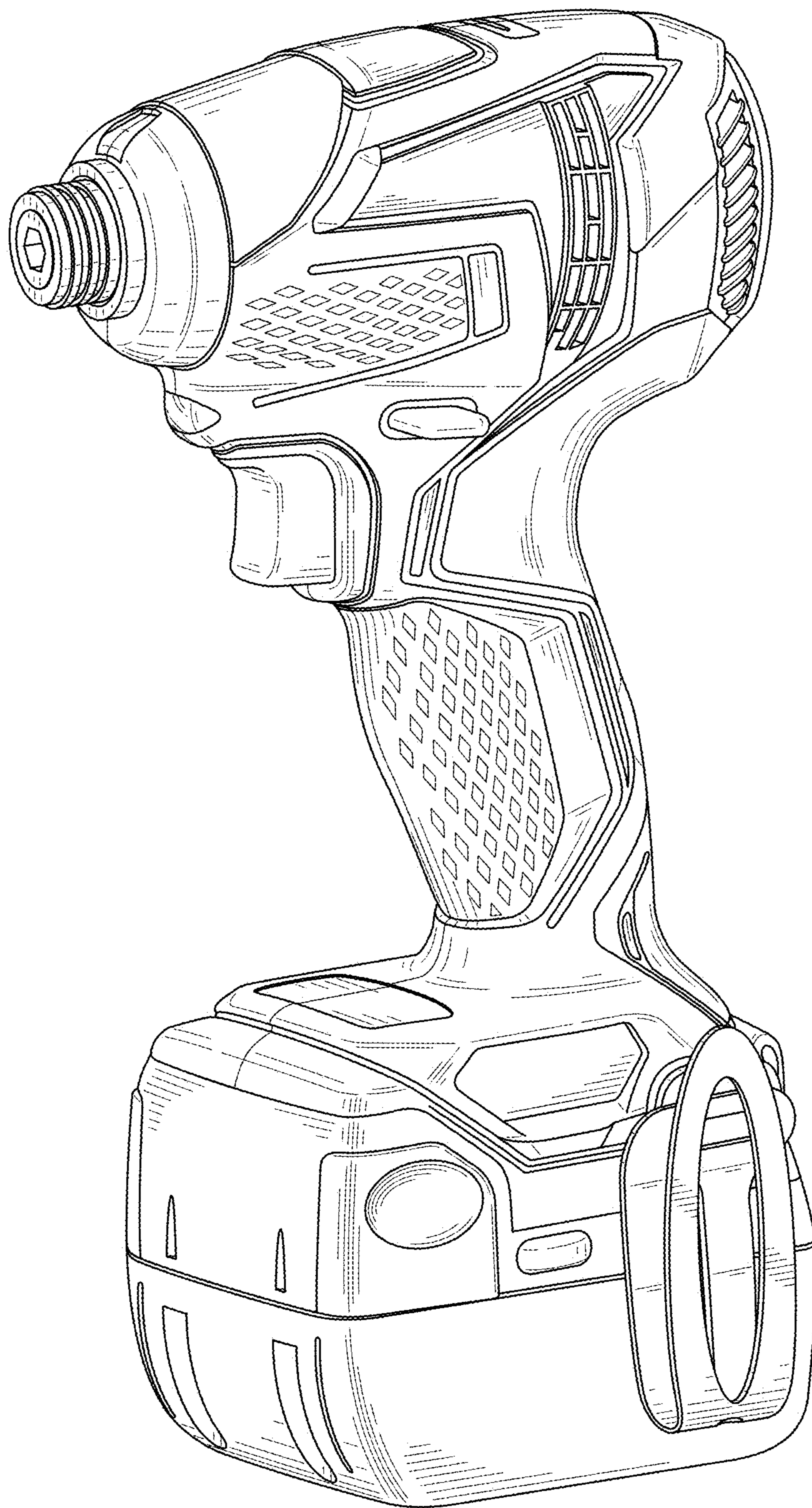


FIG. 1

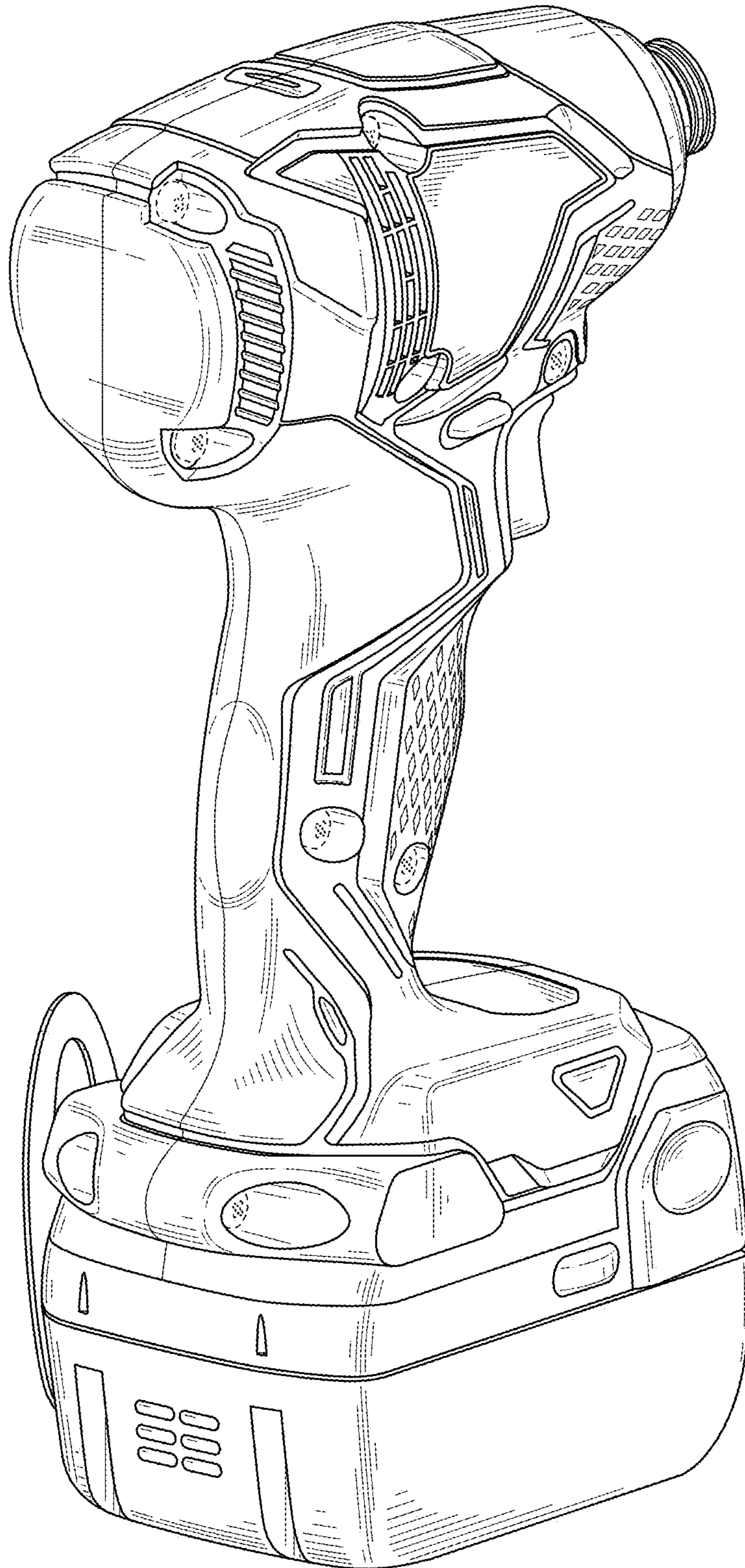


FIG. 2

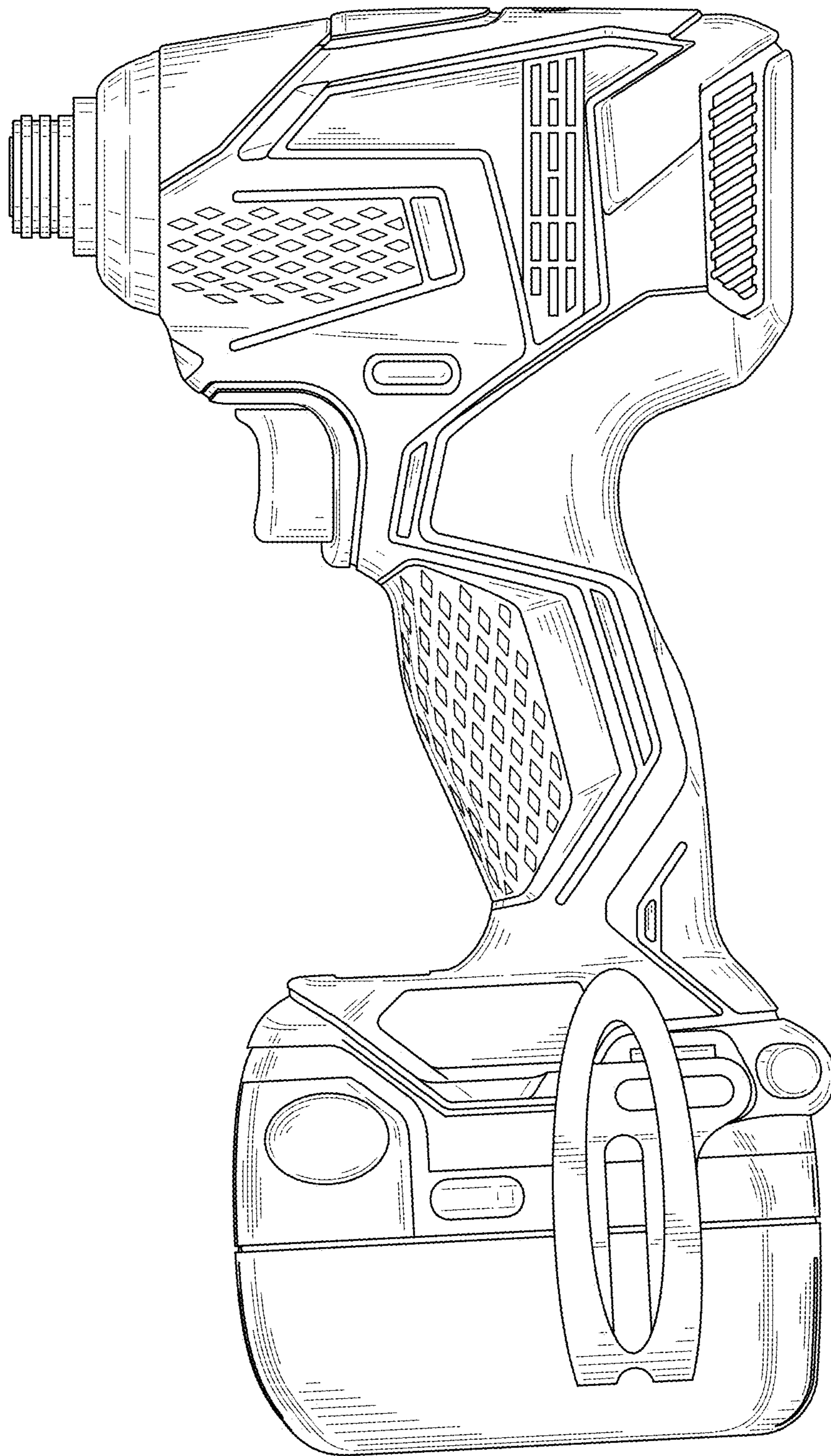


FIG. 3

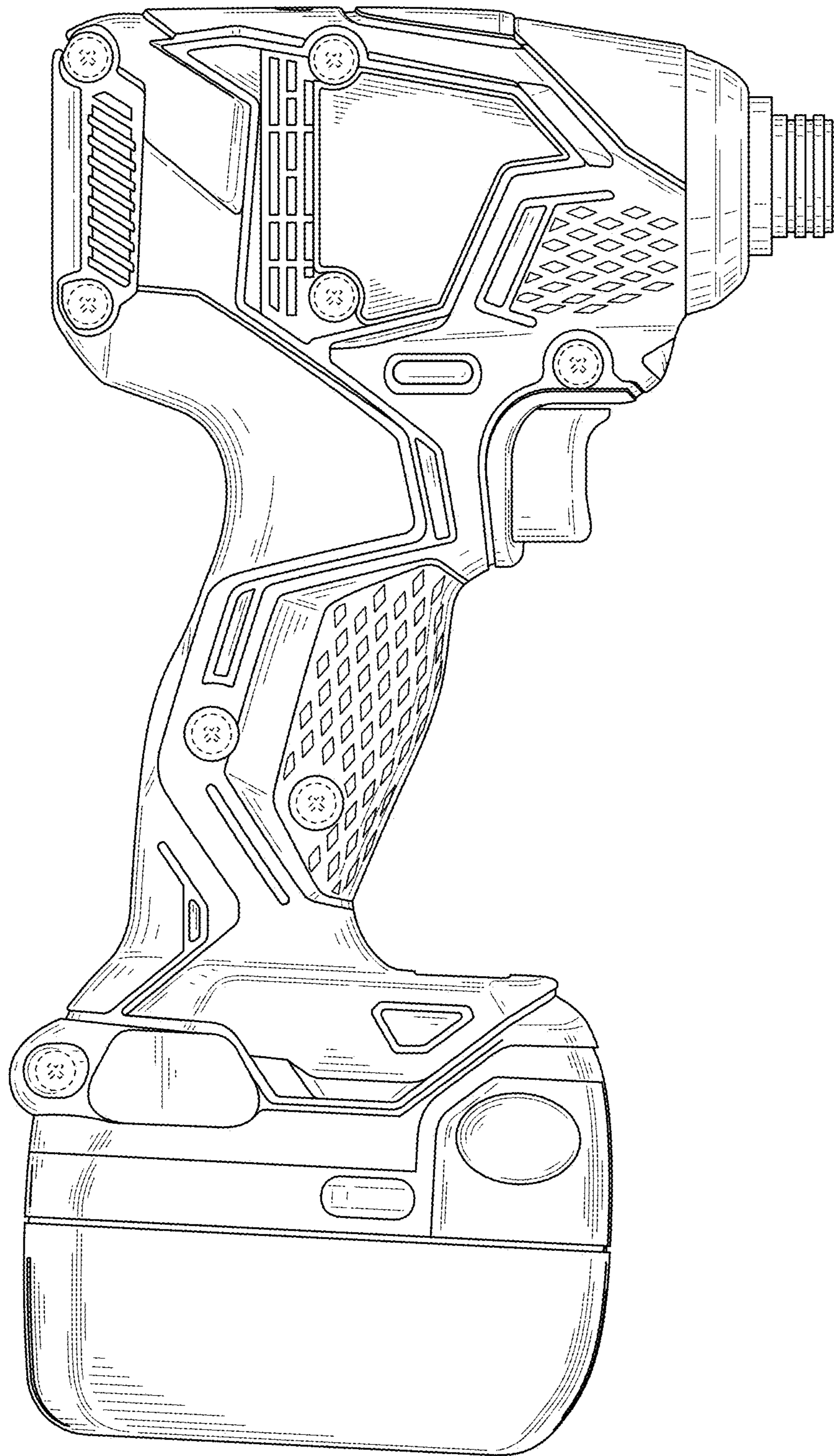


FIG. 4

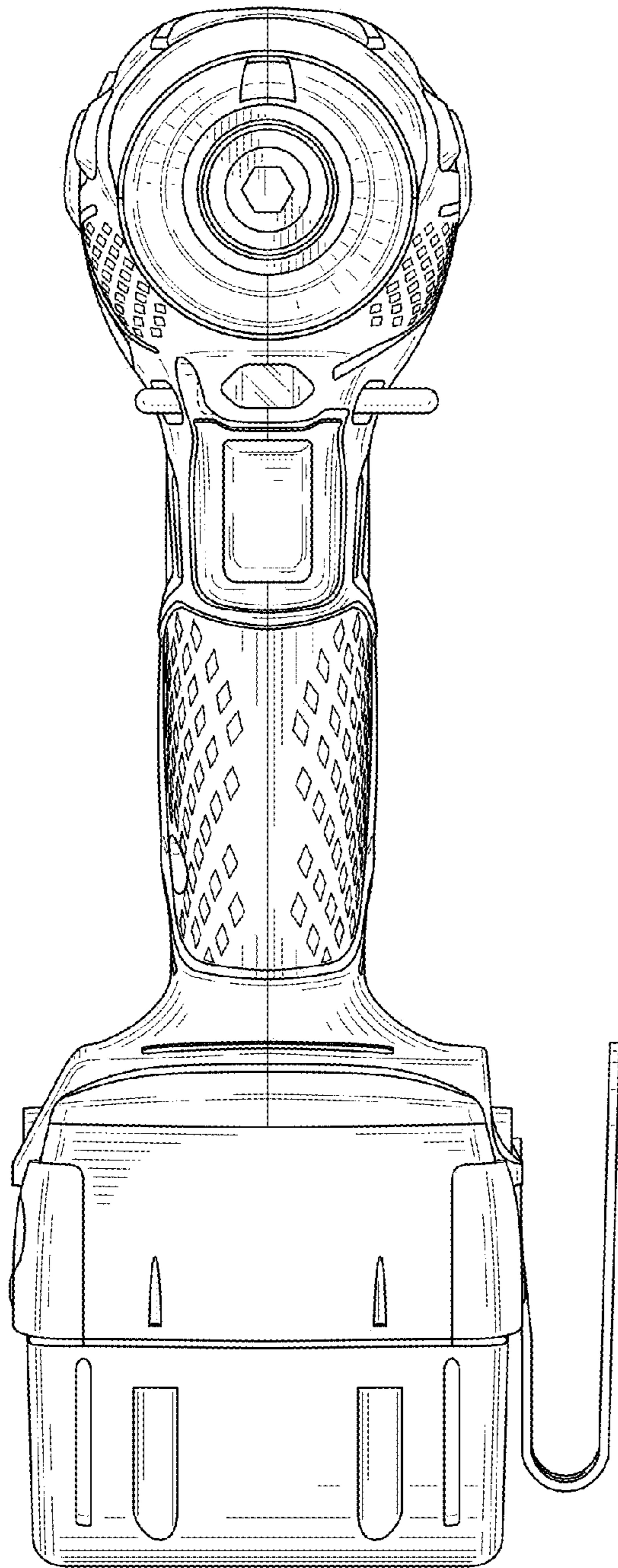


FIG. 5

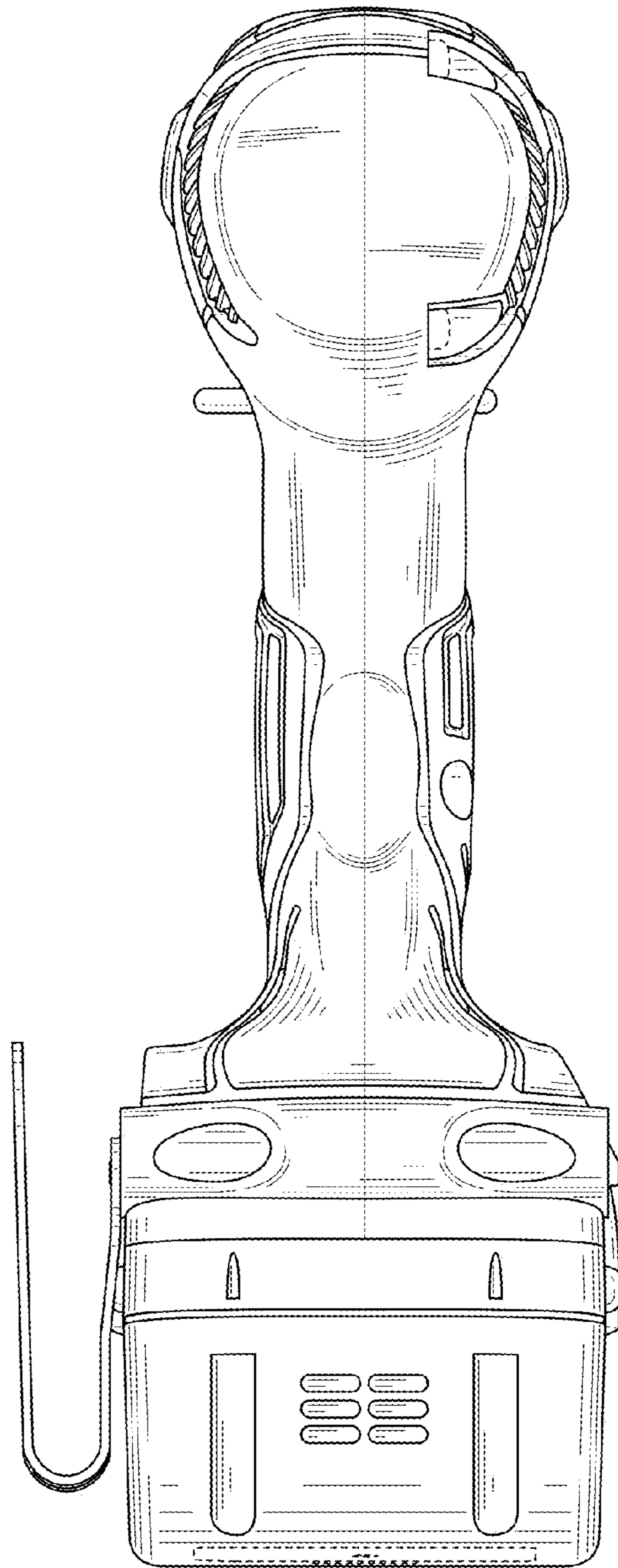


FIG. 6

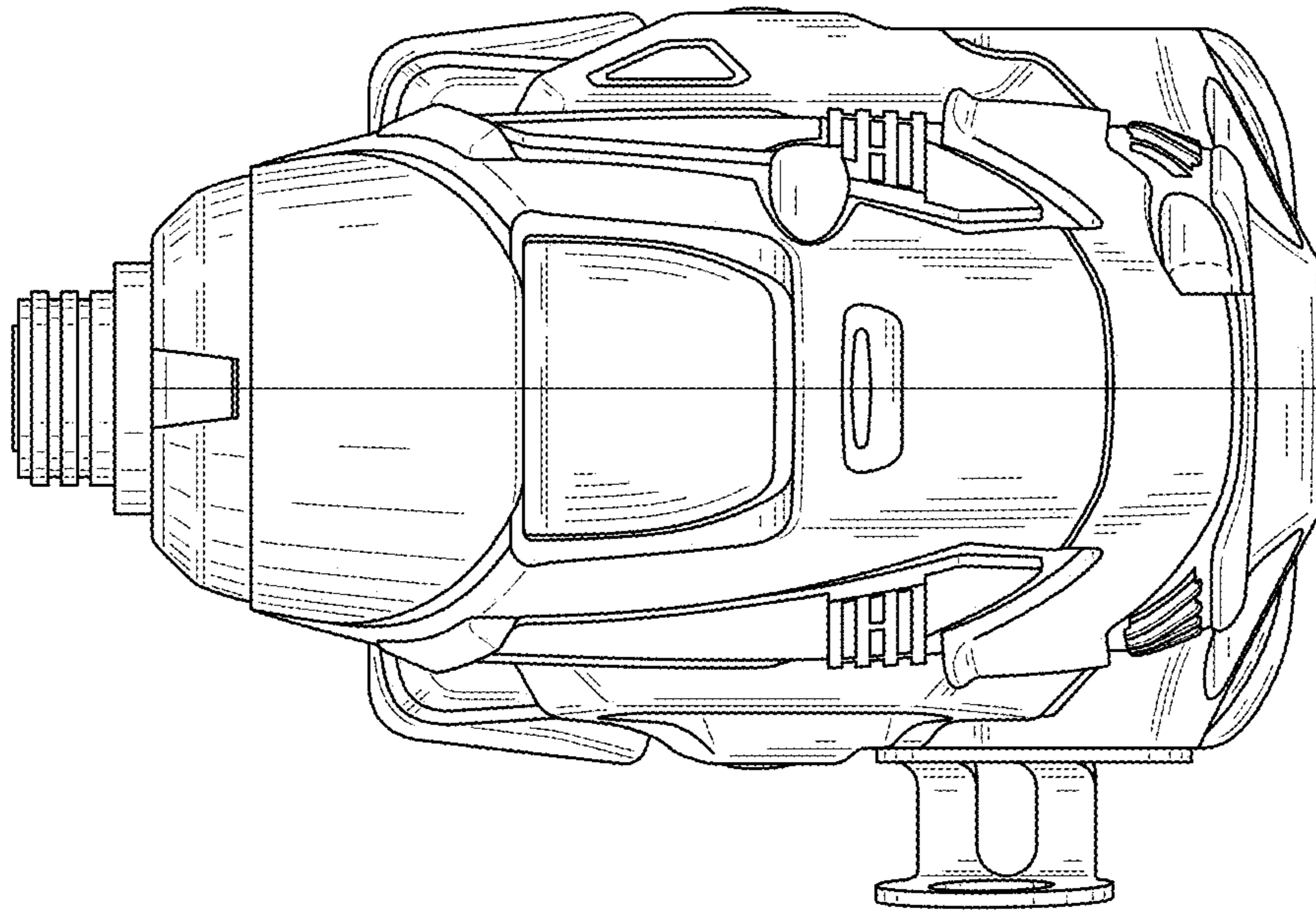


FIG. 7

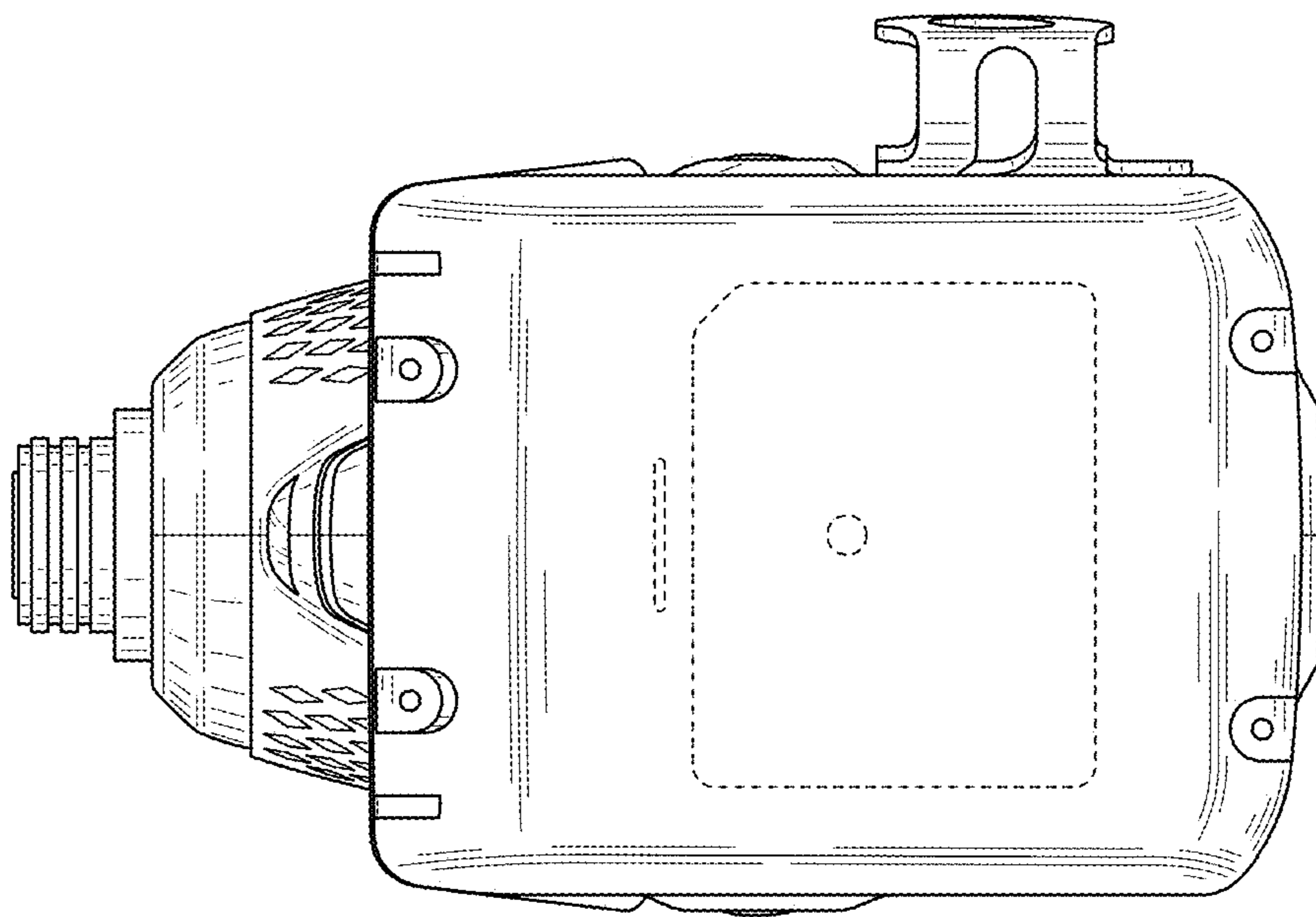


FIG. 8