



US00D721934S

(12) **United States Design Patent**  
**Knirr**

(10) **Patent No.:** **US D721,934 S**  
(45) **Date of Patent:** **\*\* Feb. 3, 2015**

- (54) **WINE BOTTLE OPENER**
- (71) Applicant: **Aaron Knirr**, Eureka, MO (US)
- (72) Inventor: **Aaron Knirr**, Eureka, MO (US)
- (\*\*) Term: **14 Years**
- (21) Appl. No.: **29/486,455**
- (22) Filed: **Mar. 28, 2014**
- (51) **LOC (10) Cl.** ..... **07-99**
- (52) **U.S. Cl.**  
USPC ..... **D8/38**
- (58) **Field of Classification Search**  
CPC ..... A63D 9/00; A63D 5/06; A63D 2005/083  
USPC ..... D8/14, 16, 18, 19, 33-43, 88, 89, 105,  
D8/107; 7/112, 113, 151-156; 81/3.07,  
81/3.09, 3.2, 3.27, 3.29, 3.31, 3.35, 3.37,  
81/3.4, 3.48, 3.49, 3.55; D21/786;  
473/118-124

See application file for complete search history.

(56) **References Cited**

**U.S. PATENT DOCUMENTS**

D130,245 S *	11/1941	Godwin	.....	D11/81
2,395,134 A *	2/1946	McKenzie	.....	473/123
D163,416 S *	5/1951	Punzak	.....	D10/6
2,973,206 A *	2/1961	Sanders	.....	473/124
2,988,359 A *	6/1961	Dettman	.....	473/119
D195,982 S *	8/1963	Hadley	.....	D10/6
4,445,688 A *	5/1984	Frillici et al.	.....	473/123

D287,940 S *	1/1987	DeGroff	.....	D10/6
4,971,322 A *	11/1990	Jager	.....	473/120
5,351,579 A *	10/1994	Metz et al.	.....	81/3.2
5,649,869 A *	7/1997	Infantino et al.	.....	473/118
D414,090 S *	9/1999	Wysopal	.....	D8/38
6,790,401 B2 *	9/2004	Yasuo	.....	264/275
7,052,406 B2 *	5/2006	Suzuki	.....	473/119
D558,545 S *	1/2008	Chan et al.	.....	D8/42
D558,546 S *	1/2008	Chan et al.	.....	D8/42
2003/0109317 A1 *	6/2003	Yasuo	.....	473/119
2004/0180727 A1 *	9/2004	Suzuki	.....	473/118
2009/0221378 A1 *	9/2009	Suzuki	.....	473/119
2011/0244974 A1 *	10/2011	White et al.	.....	473/119

\* cited by examiner

*Primary Examiner* — Elizabeth Albert

(74) *Attorney, Agent, or Firm* — QuickPatents; Kevin Prince

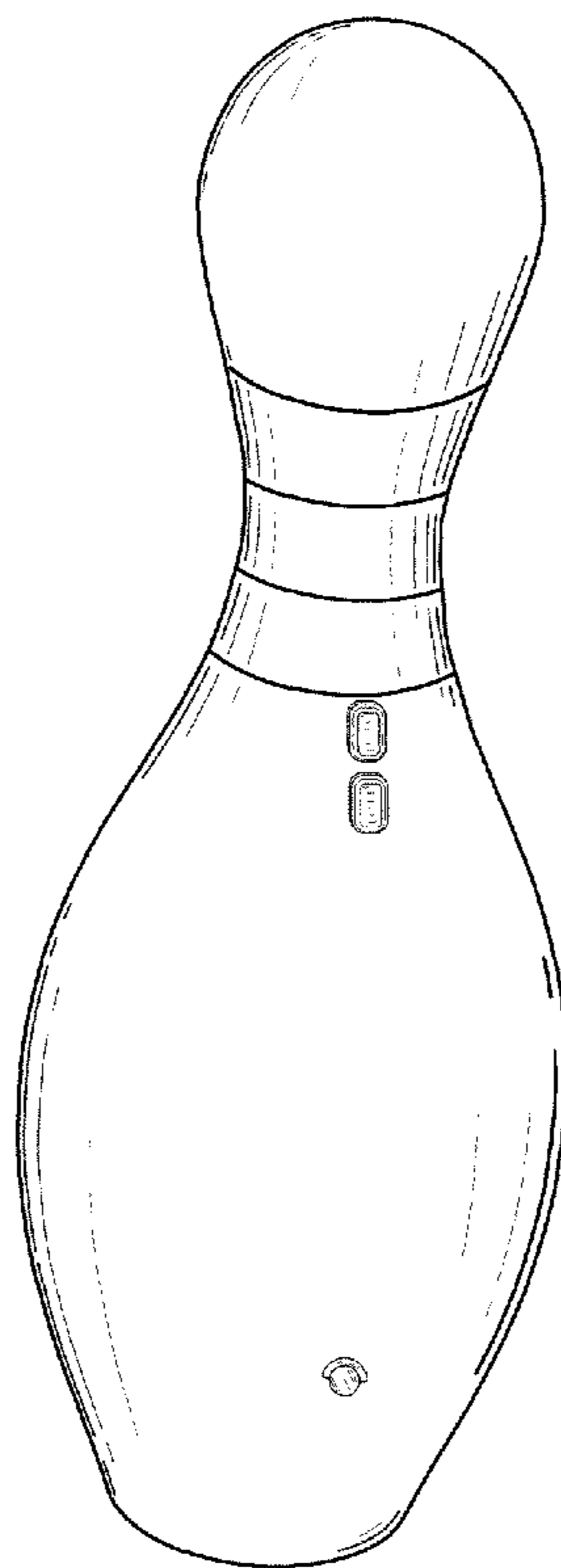
(57) **CLAIM**

I claim the ornamental design for a wine bottle opener, as shown and described.

**DESCRIPTION**

FIG. 1 is a top perspective view of a wine bottle opener, showing my new design;  
 FIG. 2 is a bottom perspective view thereof;  
 FIG. 3 is a right-side elevational view thereof, the left-side elevational view being a mirror image thereof;  
 FIG. 4 is a front elevational view thereof;  
 FIG. 5 is a rear elevational view thereof;  
 FIG. 6 is a top plan view thereof; and,  
 FIG. 7 is a bottom plan view thereof.

**1 Claim, 3 Drawing Sheets**



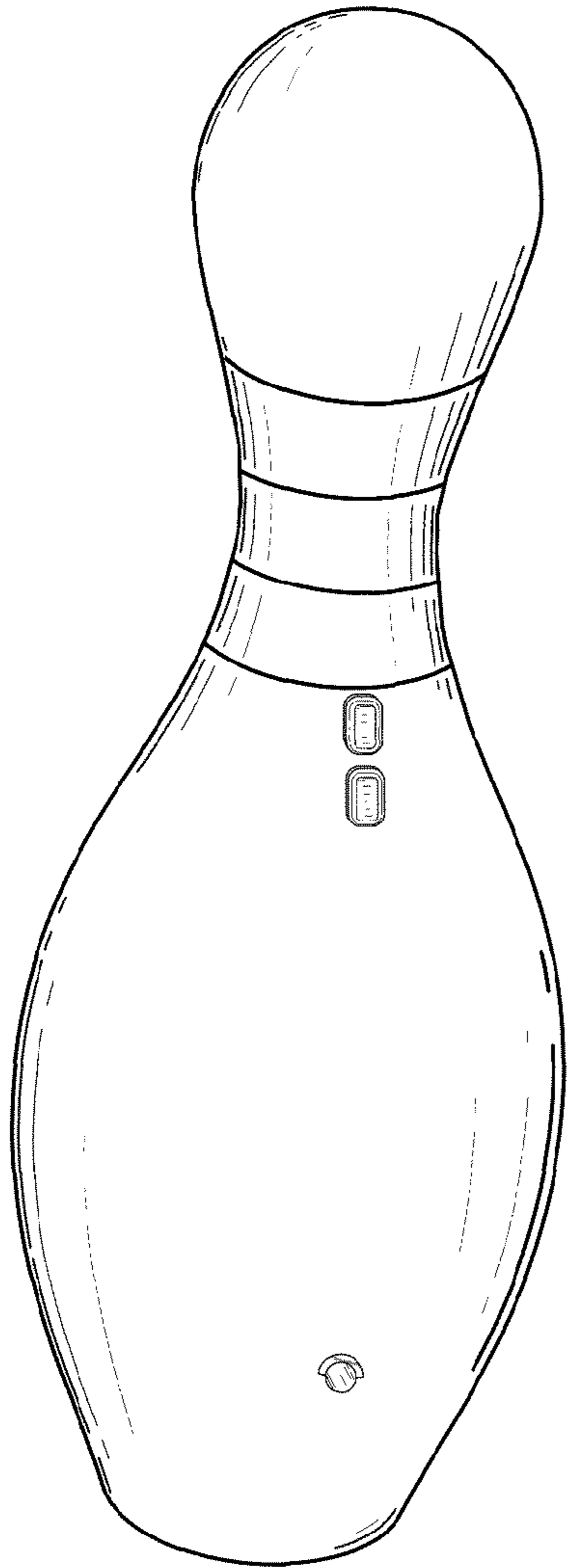


FIG. 1

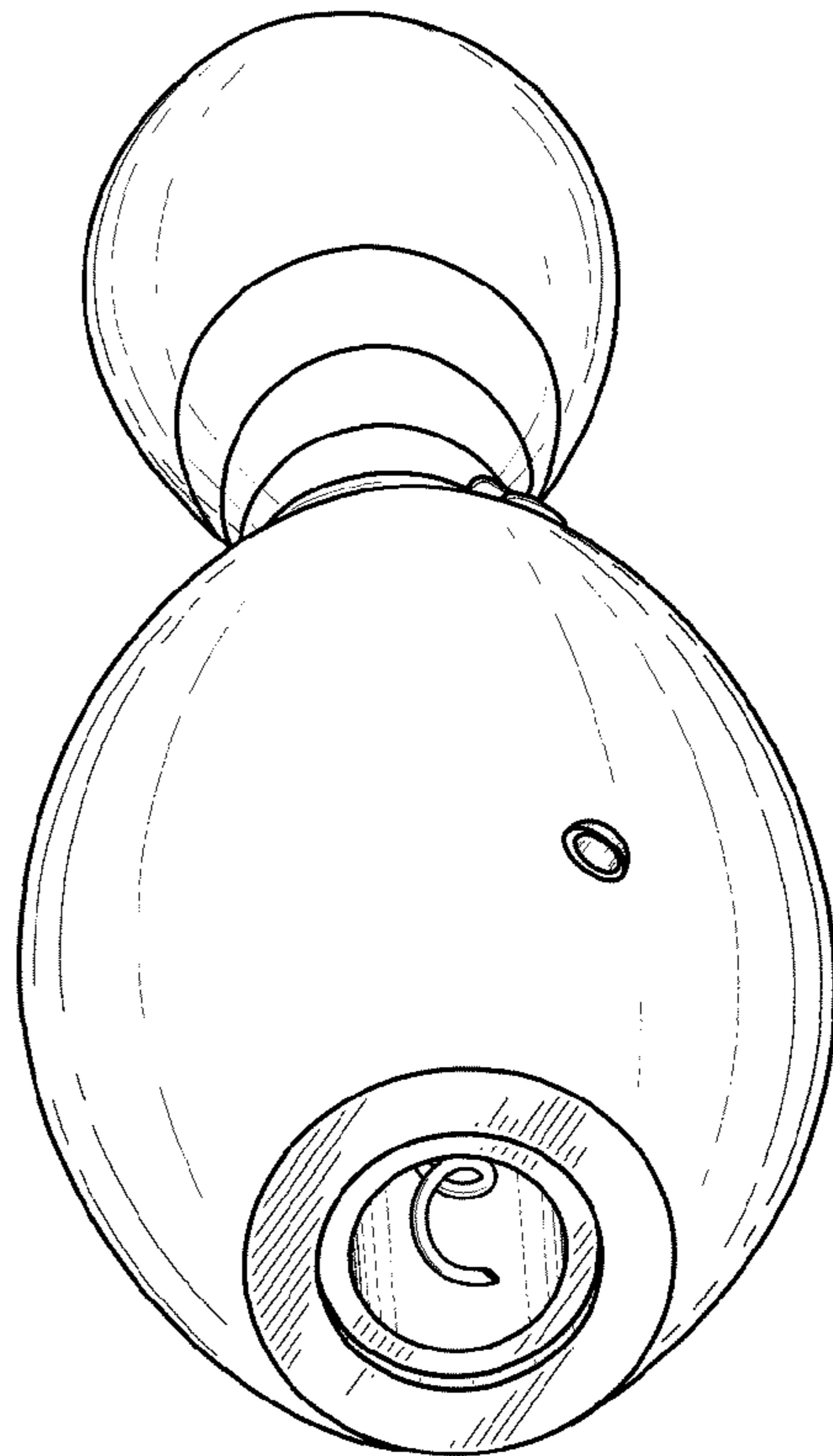


FIG. 2

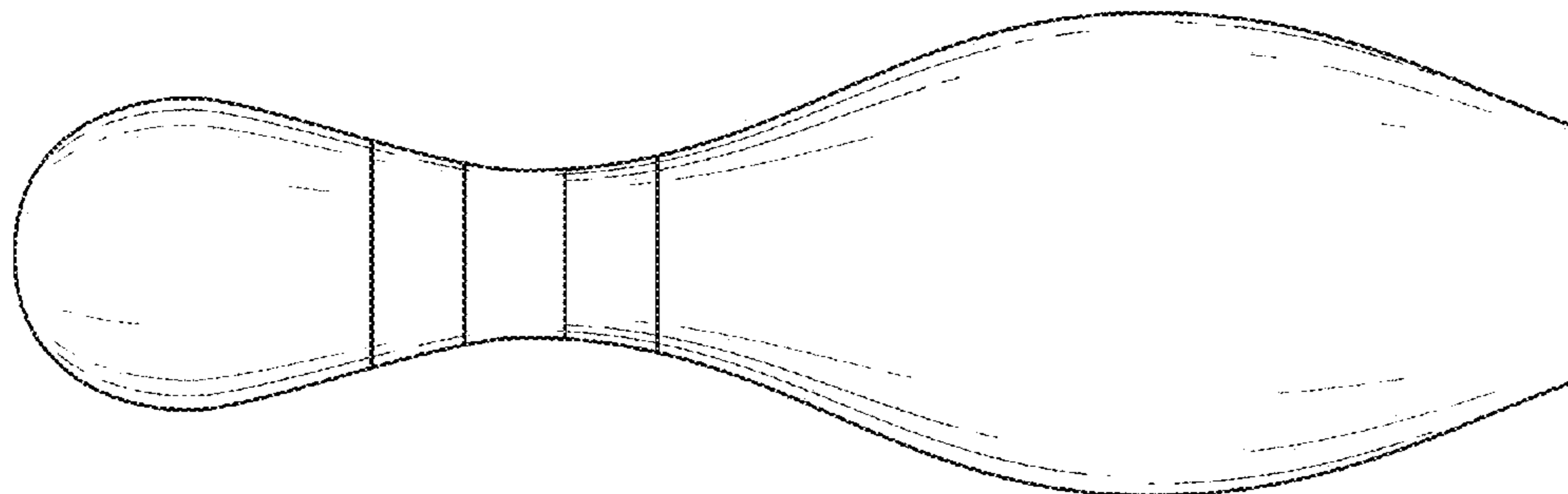


FIG. 5

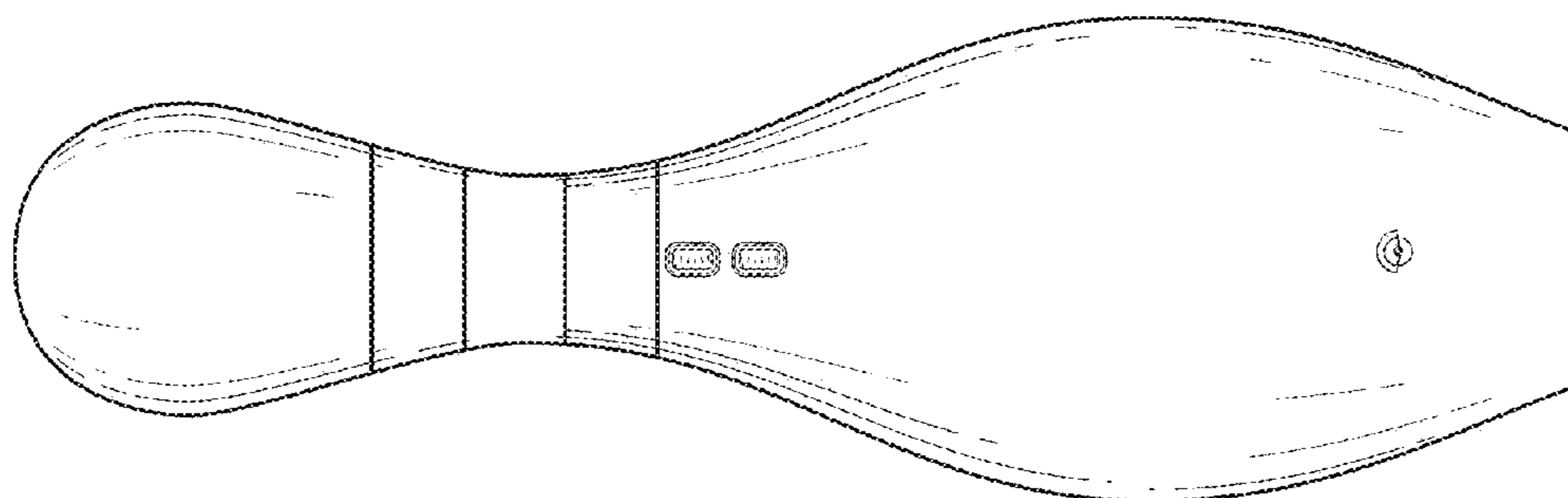


FIG. 4

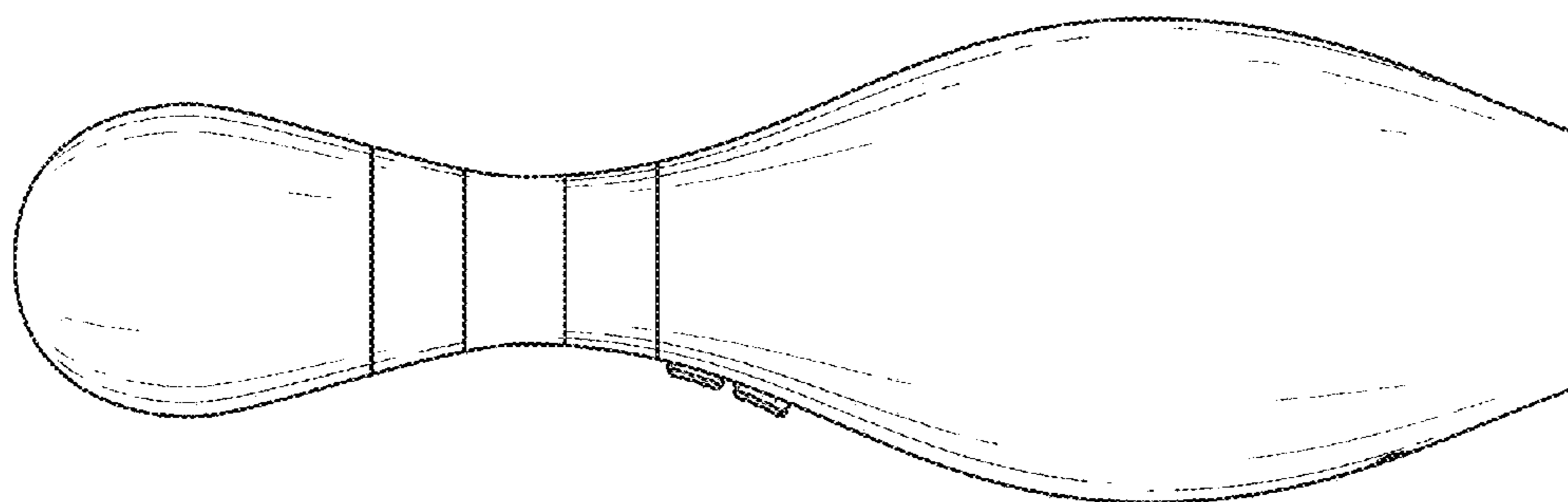


FIG. 3

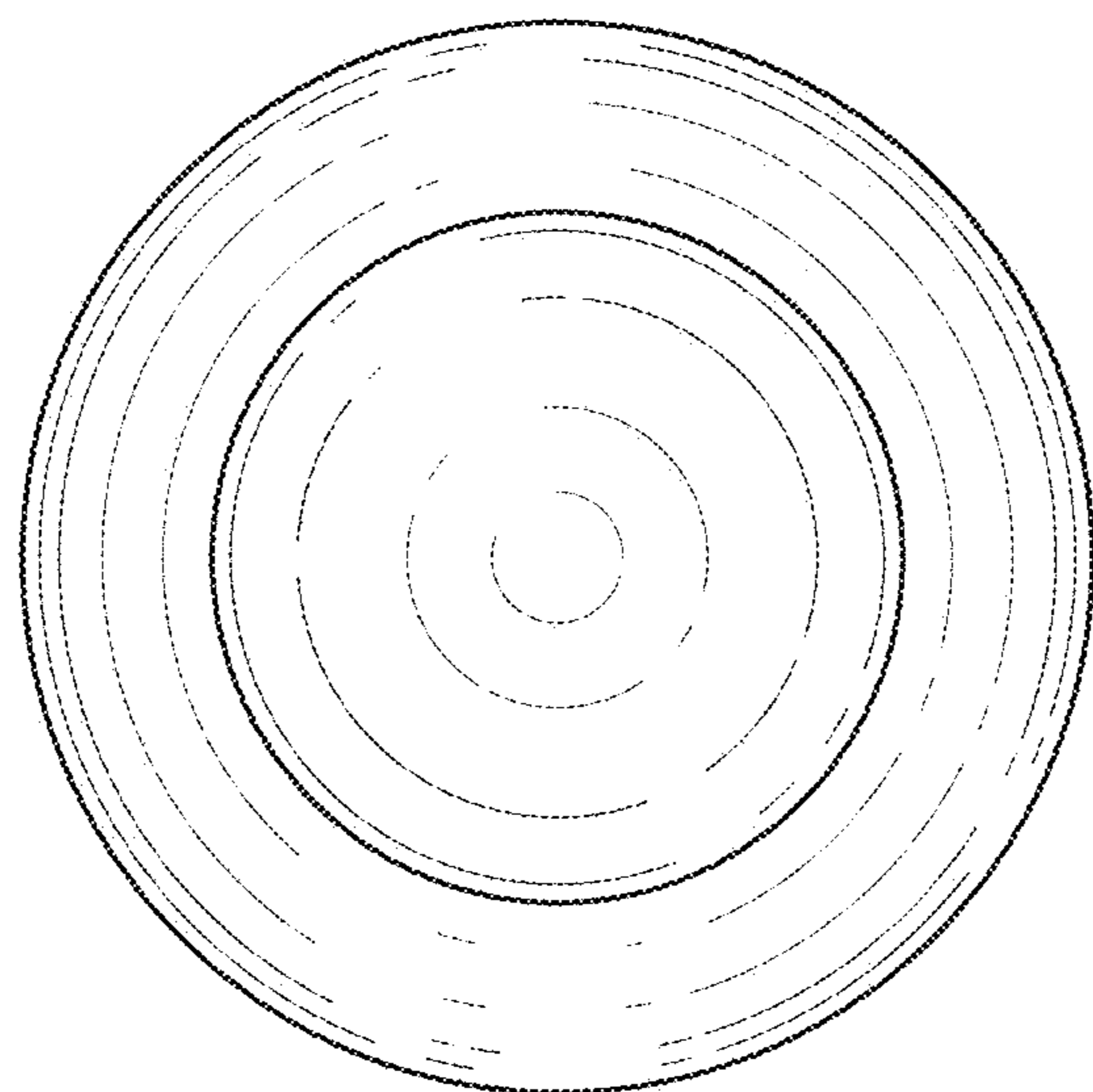


FIG. 6

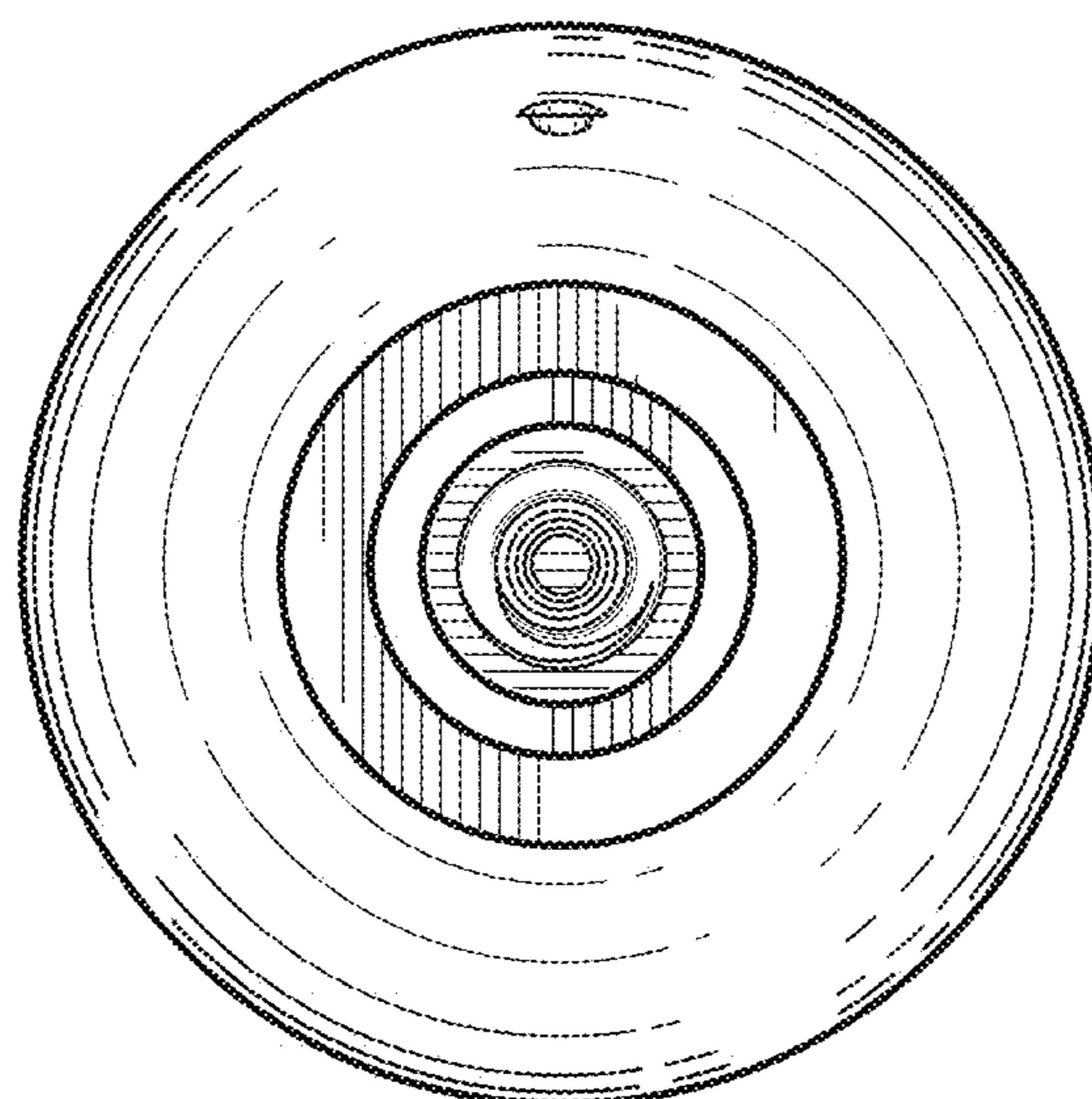


FIG. 7