

US00D721931S

(12) **United States Design Patent**  
**Davis**

(10) **Patent No.:** **US D721,931 S**  
(45) **Date of Patent:** **\*\* Feb. 3, 2015**

(54) **SOIL SETTING GARDENING IMPLEMENT**

(71) Applicant: **Carole Davis**, Tipp City, OH (US)

(72) Inventor: **Eugene Davis**, Tipp City, OH (US)

(\*\*) Term: **14 Years**

(21) Appl. No.: **29/470,880**

(22) Filed: **Oct. 25, 2013**

(51) **LOC (10) Cl.** ..... **08-01**

(52) **U.S. Cl.**  
USPC ..... **D8/1**

(58) **Field of Classification Search**  
USPC ..... D8/1, 11; 56/400.05, 400.15; 172/372,  
172/370, 375; D7/682

See application file for complete search history.

(56) **References Cited**

**U.S. PATENT DOCUMENTS**

1,949,042	A	8/1925	Masters	
1,799,045	A	3/1931	Hall	
3,841,414	A	10/1974	Perkins	
4,177,864	A	12/1979	Donnini	
D270,133	S *	8/1983	Craig	D8/388
D279,540	S *	7/1985	Rodrigues-Quiros	D8/11
D279,541	S *	7/1985	Rodrigues-Quiros et al.	D8/11
D279,542	S *	7/1985	Rodrigues-Quiros	D8/11
5,628,370	A *	5/1997	Chrysler	172/372
D408,696	S *	4/1999	Simpson, Sr.	D8/1

D425,383	S *	5/2000	Rigdon	D8/11
6,470,972	B1	10/2002	Trampe	
D473,113	S *	4/2003	Gelb et al.	D8/1
D531,863	S *	11/2006	Irwin	D8/1
D636,236	S *	4/2011	Telford, Jr.	D8/1
D704,519	S *	5/2014	Costley	D8/1
2003/2035470		12/2003	Gelb et al.	
2010/0319943	A1	12/2010	Holdredge	

\* cited by examiner

*Primary Examiner* — Sheryl Lane

(74) *Attorney, Agent, or Firm* — Donald Grant Kelly

(57) **CLAIM**

The ornamental design for a soil setting gardening implement, as shown and described.

**DESCRIPTION**

FIG. 1 is a top, perspective view of the soil setting gardening implement;

FIG. 2 is a front elevation view thereof;

FIG. 3 is a rear elevation view thereof;

FIG. 4 is a left side elevation view thereof;

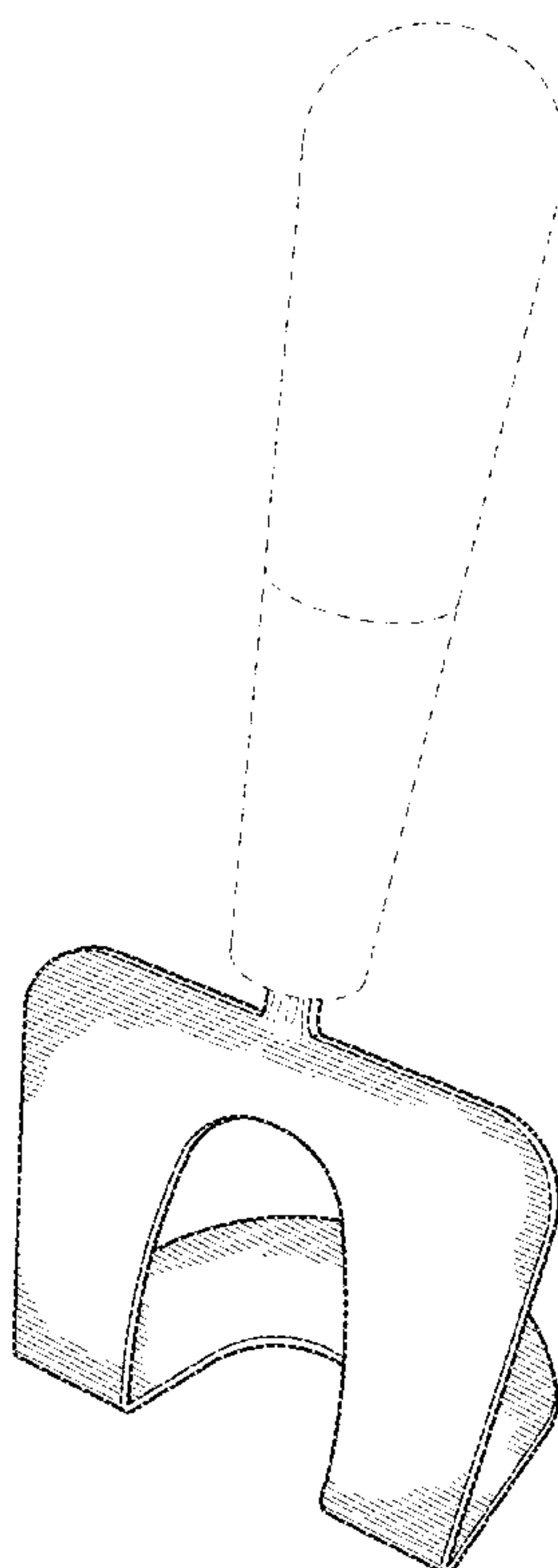
FIG. 5 is a right side elevation view thereof;

FIG. 6 is a top plan view thereof; and,

FIG. 7 is a bottom plan view thereof.

The broken lines represent portions of the article and form no part of the claimed design.

**1 Claim, 7 Drawing Sheets**



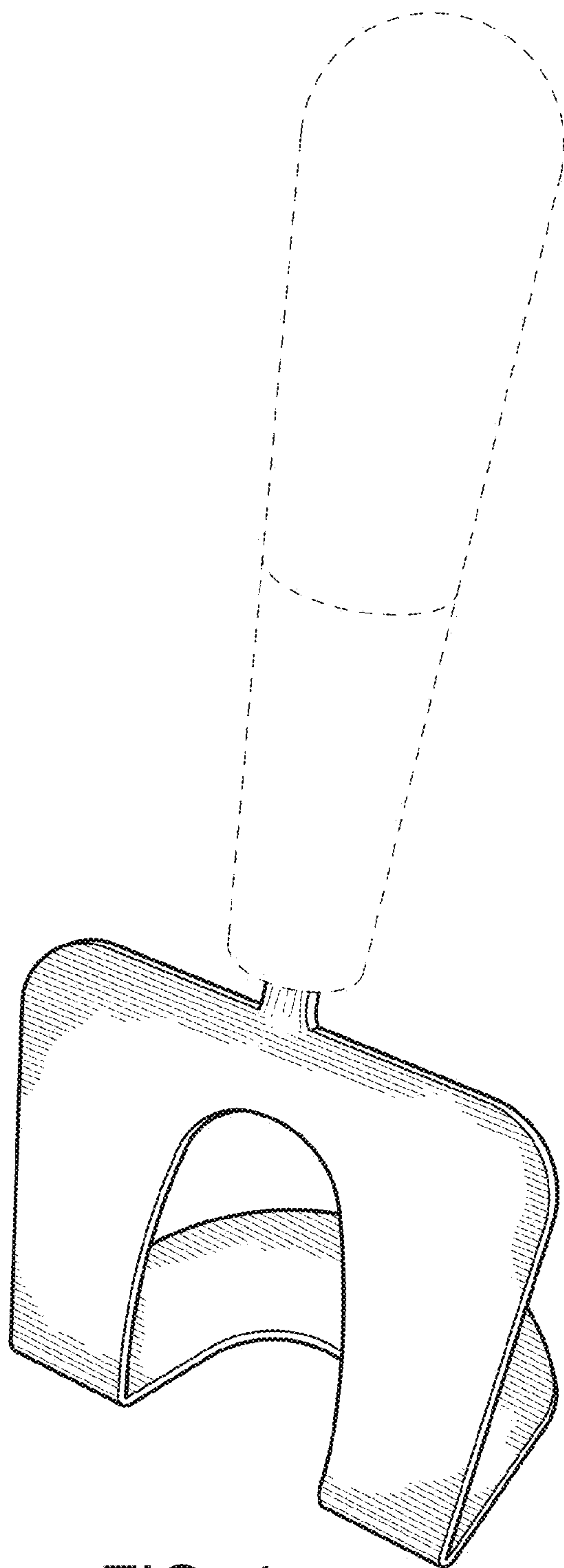


FIG. 1

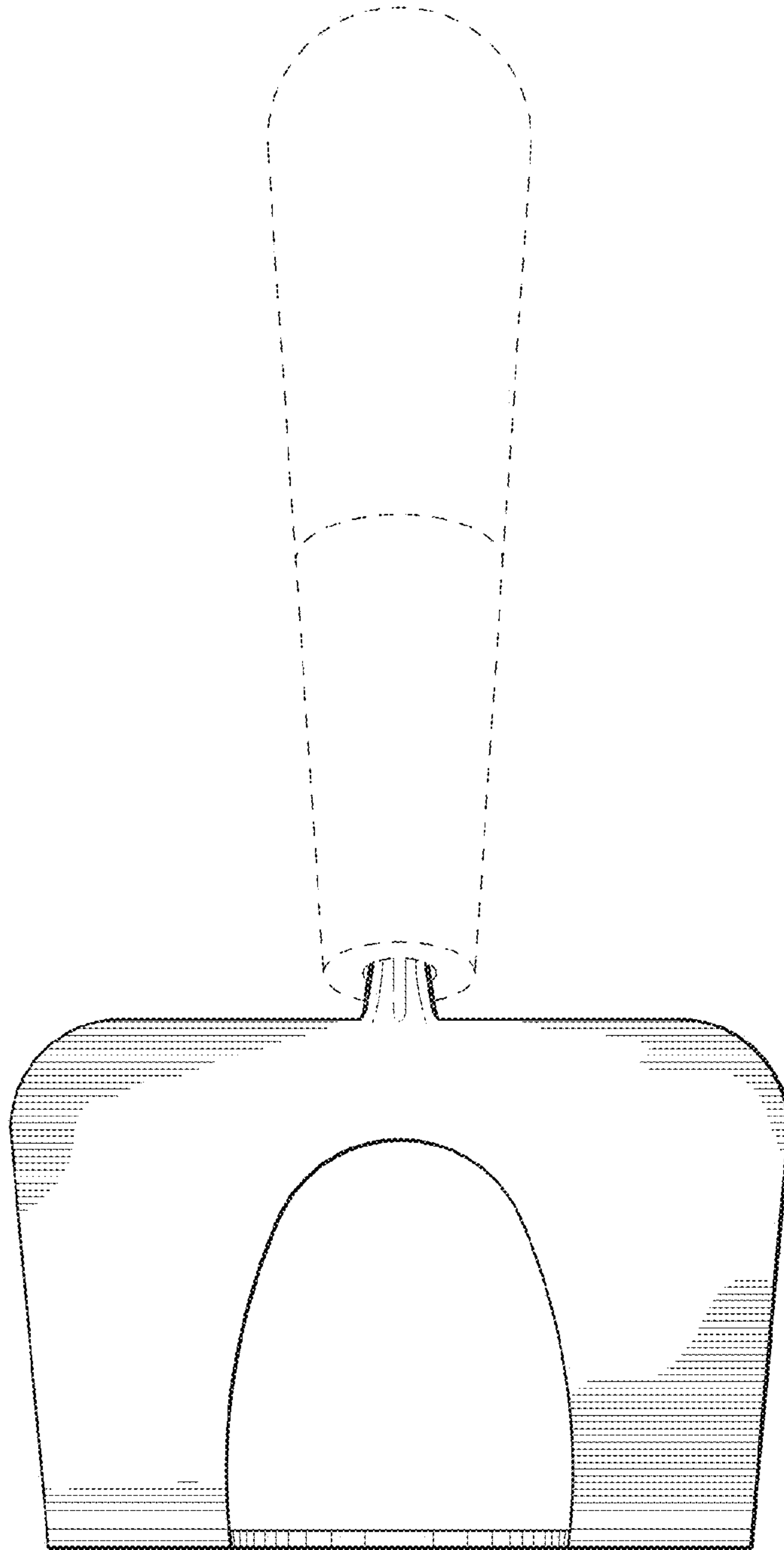


FIG. 2

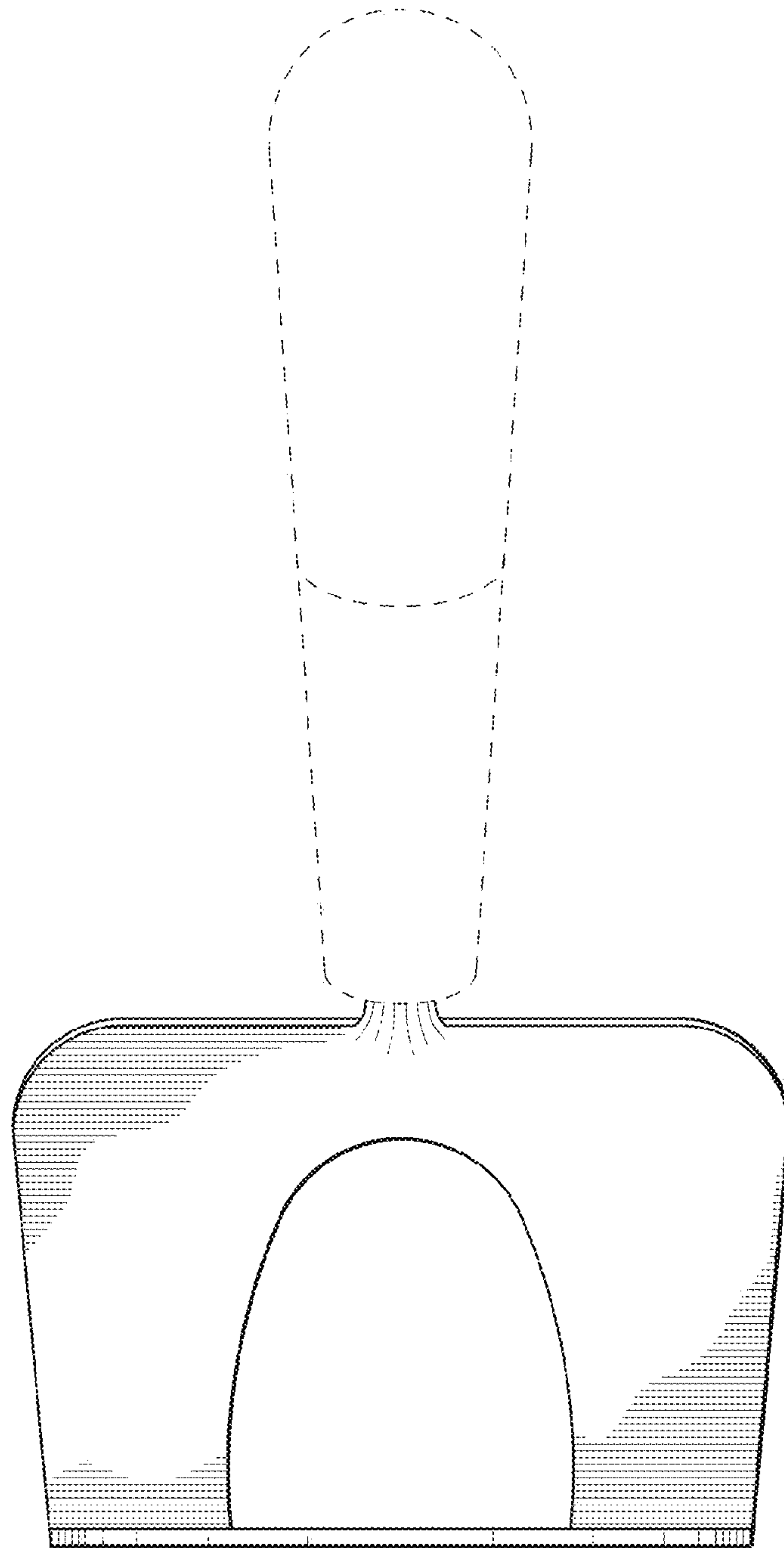


FIG. 3

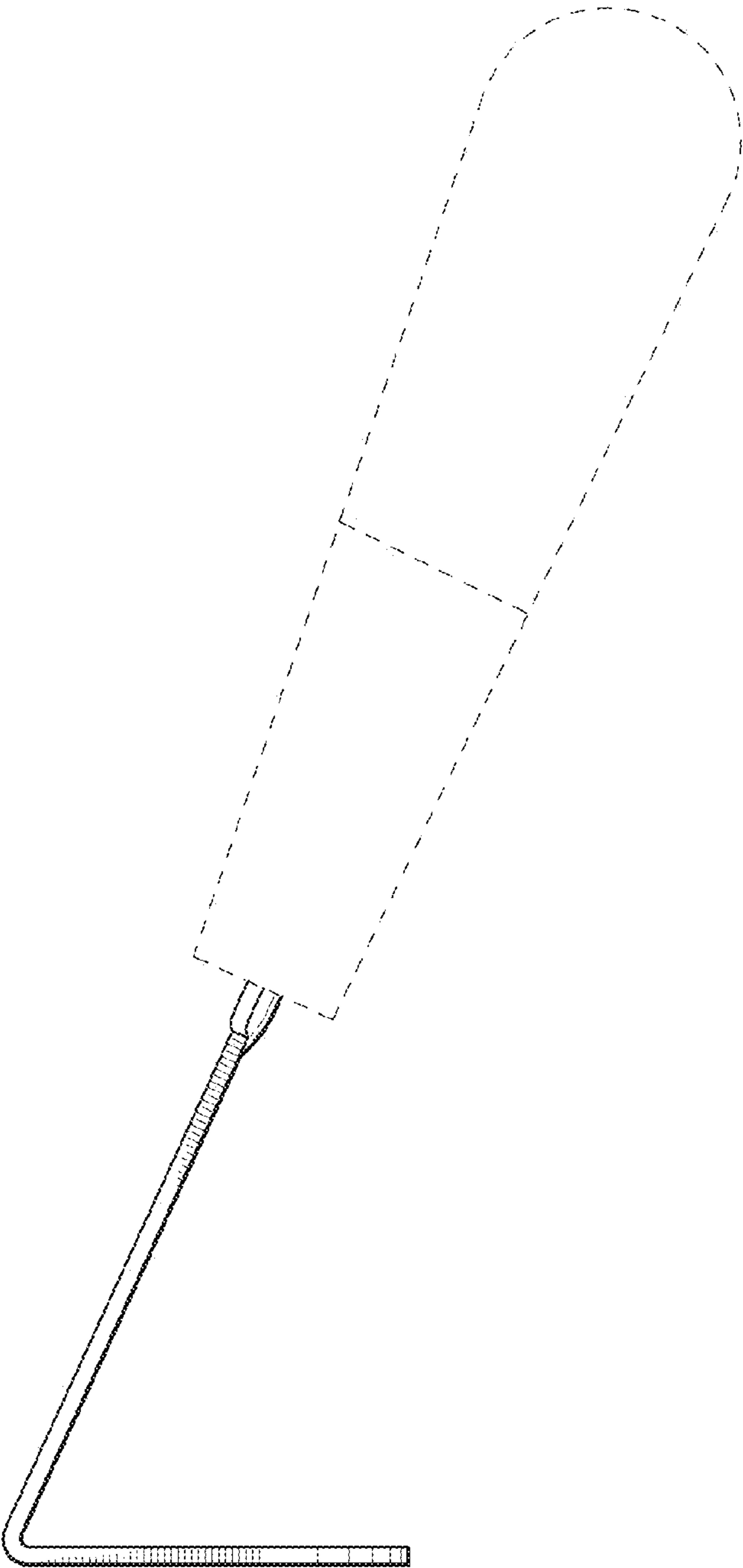


FIG. 4

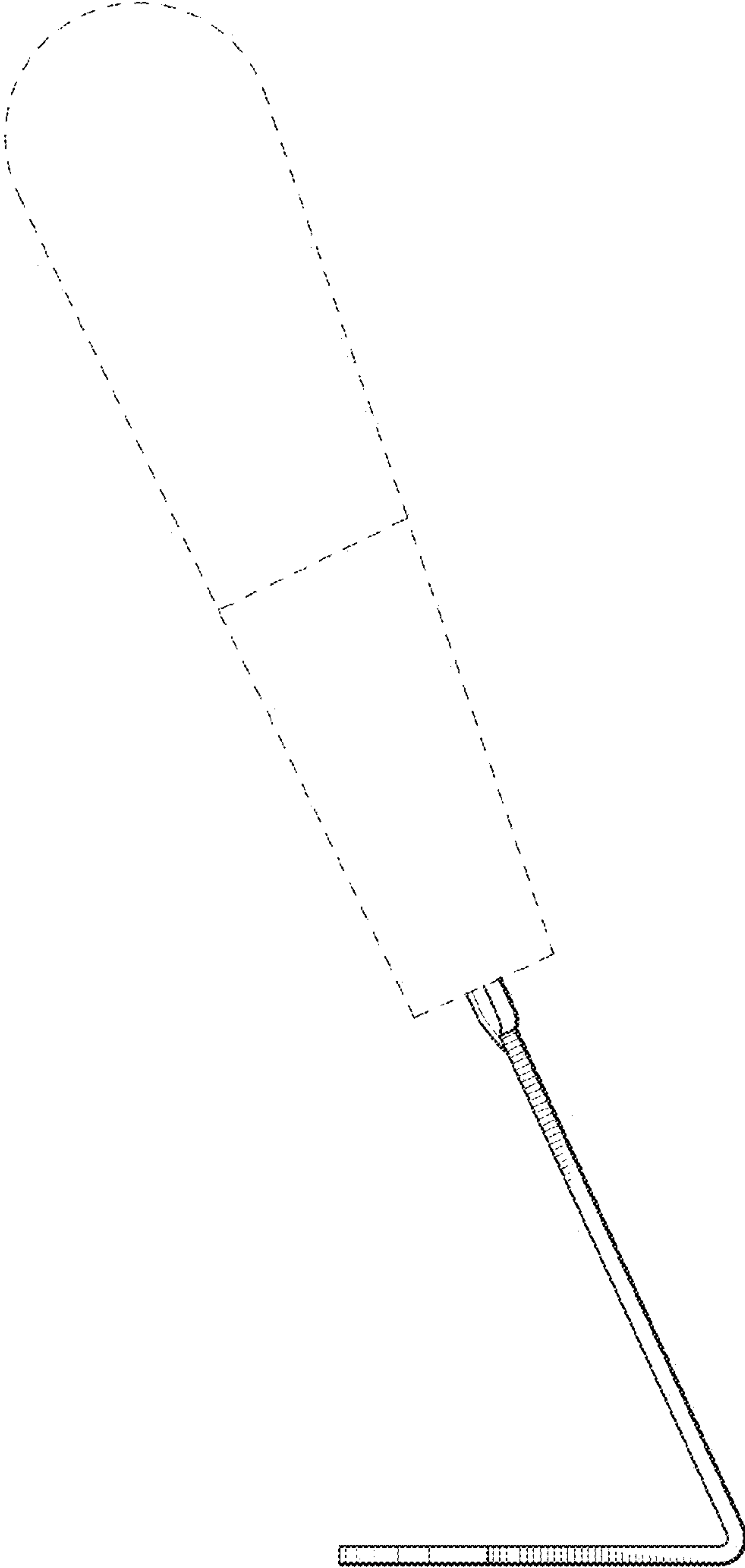


FIG. 5

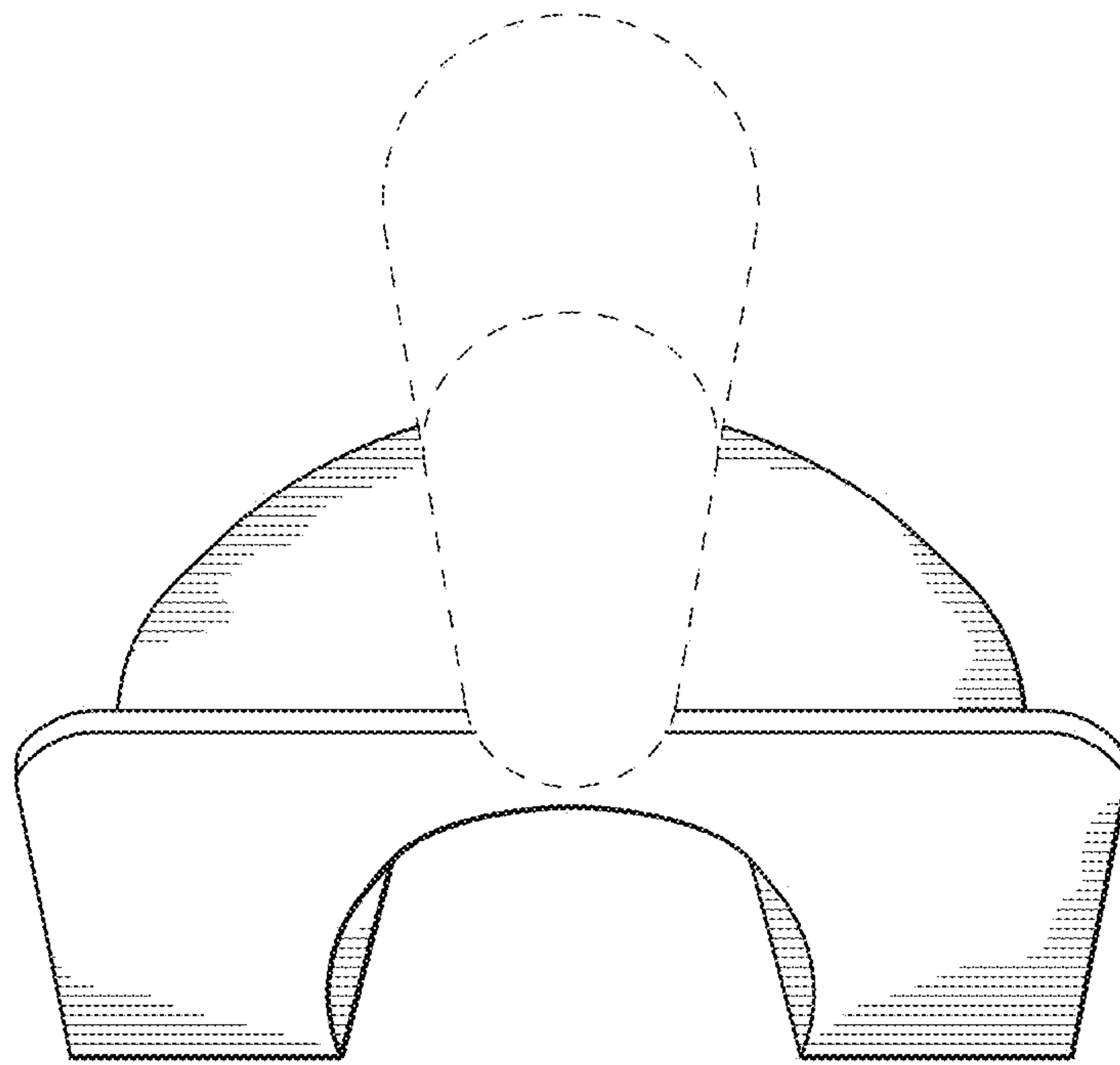


FIG. 6

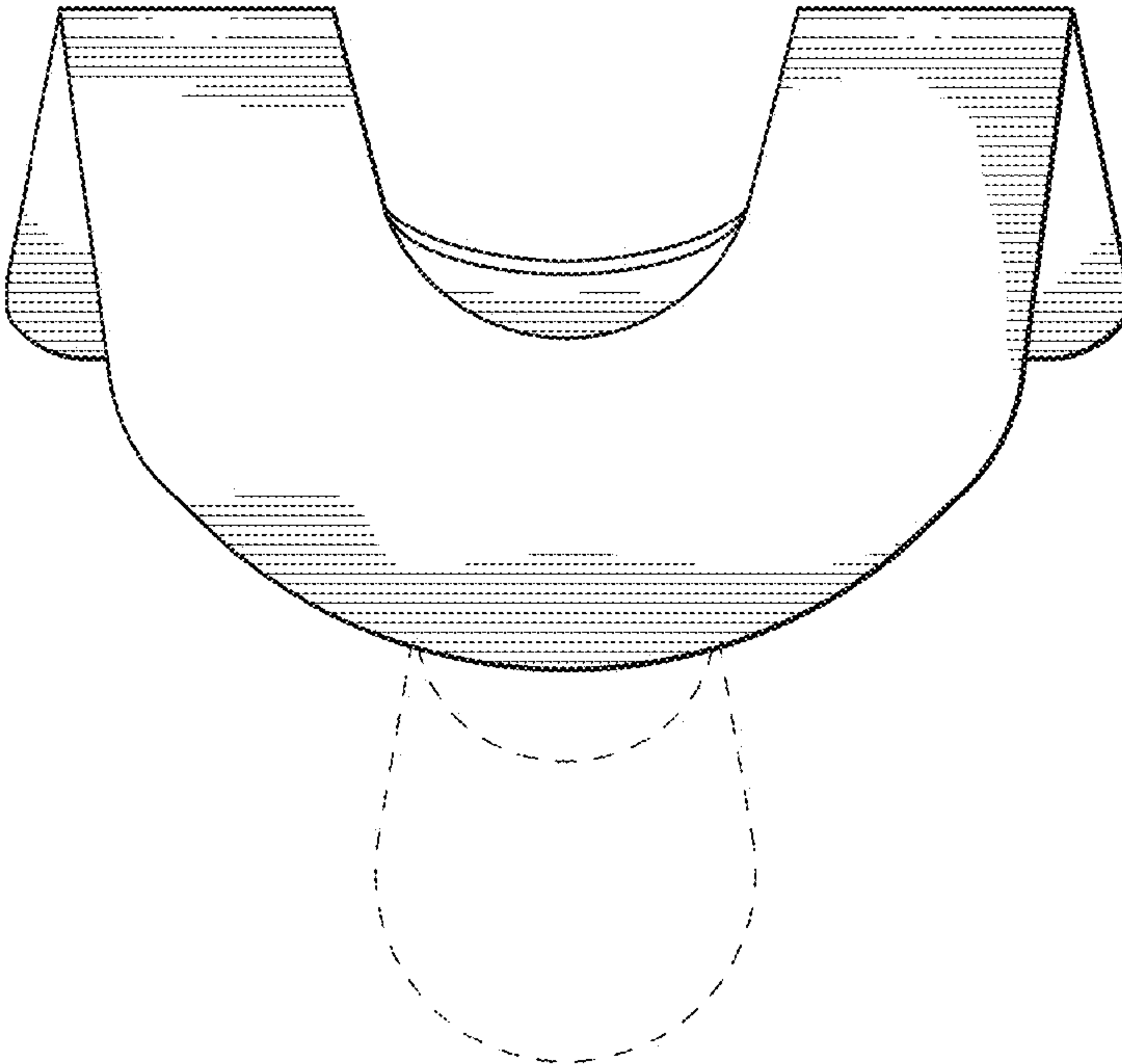


FIG. 7