



US00D721930S

(12) **United States Design Patent**  
**Dohy**

(10) **Patent No.:** **US D721,930 S**  
(45) **Date of Patent:** **\*\* Feb. 3, 2015**

(54) **BOTTLE RACK**

(71) Applicant: **Brandon A. Dohy**, Black Mountain, NC  
(US)

(72) Inventor: **Brandon A. Dohy**, Black Mountain, NC  
(US)

(\*\*) Term: **14 Years**

(21) Appl. No.: **29/455,435**

(22) Filed: **May 21, 2013**

(51) **LOC (10) Cl.** ..... **07-06**

(52) **U.S. Cl.**

USPC ..... **D7/708**

(58) **Field of Classification Search**

USPC ..... D7/708, 701, 702, 703, 704, 705, 706,  
D7/707, 600.1–600.4, 501, 505, 590, 592,  
D7/601, 602, 603, 619.1–625, 630, 631,  
D7/637, 640, 641, 639, 638, 506, 507,  
D7/580; D6/570, 552, 512, 513, 514, 522,  
D6/534, 528, 516, 520, 567, 315, 317,  
D6/309; 211/74, 70.6, 70.7, 70.8, 71.01,  
211/13.1, 181.1, 182, 85.5, 59.4, 62, 64,  
211/70.1, 72, 75, 79, 85.18, 85.26, 99,  
211/126.7, 133.1, 133.2, 135, 70;  
248/311.3, 309.1, 127, 137, 141, 139,  
248/146, 152, 155.2, 174, 176.1, 183.1,  
248/183.2, 186.2; 141/364, 369, 375, 106

See application file for complete search history.

(56) **References Cited**

**U.S. PATENT DOCUMENTS**

909,715 A \* 1/1909 Troegeler ..... 220/8  
D76,726 S \* 10/1928 Waldman ..... D6/450  
2,277,443 A \* 3/1942 Livingston ..... 200/246  
D180,106 S \* 4/1957 Selfert ..... D6/468  
3,763,348 A \* 10/1973 Costello ..... 392/423  
4,185,429 A \* 1/1980 Mendola ..... 52/274  
4,236,775 A \* 12/1980 Haynes ..... 312/351  
4,294,364 A \* 10/1981 Bilbrey ..... 211/49.1

4,450,967 A \* 5/1984 Castro ..... 211/85.7  
4,573,570 A \* 3/1986 Cortopassi ..... 426/128  
5,024,602 A \* 6/1991 Leong ..... 439/107  
D322,394 S \* 12/1991 Grandesso ..... D9/422  
5,149,339 A \* 9/1992 Collins, Jr. .... 95/70  
5,211,590 A \* 5/1993 Smith et al. .... 439/894  
5,319,732 A \* 6/1994 Jones ..... 385/135  
D355,791 S \* 2/1995 Briley ..... D6/449  
5,406,758 A \* 4/1995 Baum ..... 52/169.5  
D362,987 S \* 10/1995 Laib ..... D6/567  
5,615,782 A \* 4/1997 Choe ..... 211/70.6  
D407,266 S \* 3/1999 Silva ..... D7/392.1  
5,934,501 A \* 8/1999 Wright et al. .... 220/528

(Continued)

**OTHER PUBLICATIONS**

Wine Racks—Metal Circle Man, [online], posted Aug. 21, 2013, retrieved on Aug. 21, 2014. Retrieved from, <URL: <http://www.pinterest.com/pin/498140408754201674/>>, 1 page.\*

(Continued)

*Primary Examiner* — Ian Simmons

*Assistant Examiner* — Shannon Morgan

(74) *Attorney, Agent, or Firm* — The Van Winkle Law Firm

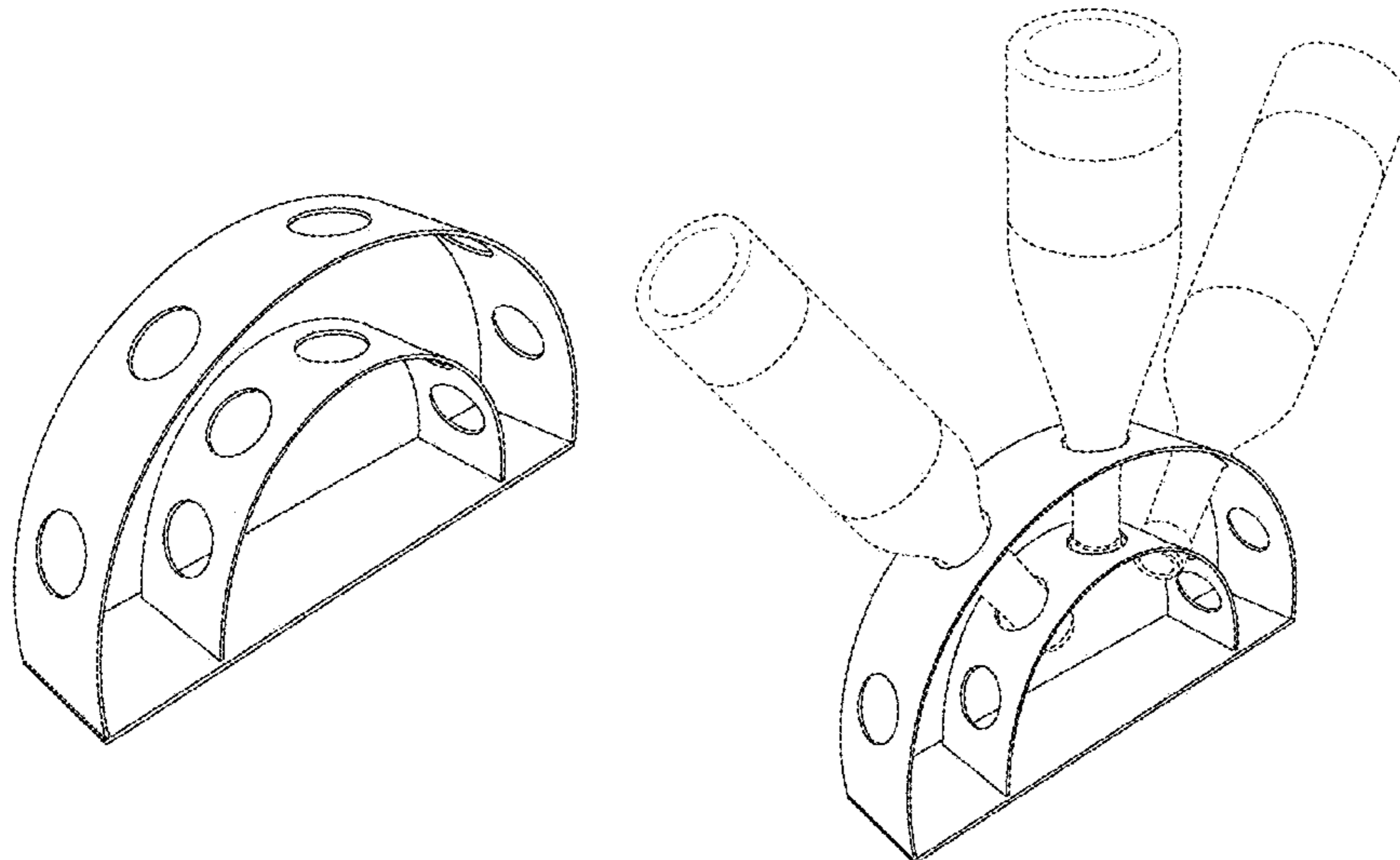
(57) **CLAIM**

The ornamental design for a bottle rack, as shown and described.

**DESCRIPTION**

FIG. 1 is a top perspective view of a bottle rack showing my new design;  
FIG. 2 is a front elevational view thereof;  
FIG. 3 is a side elevational view thereof;  
FIG. 4 is a top plan view thereof;  
FIG. 5 is a bottom plan view thereof; and,  
FIG. 6 is a top perspective view thereof.  
The broken lines in FIG. 6 of the bottle rack are for the purpose of illustrating environment, and form no part of the claimed design.

**1 Claim, 6 Drawing Sheets**



(56)

References Cited

U.S. PATENT DOCUMENTS

D478,756	S *	8/2003	Hood	.....	D6/534
6,722,510	B1 *	4/2004	Sen	.....	211/74
D515,877	S *	2/2006	Czepowicz et al.	.....	D7/619.1
D515,878	S *	2/2006	Czepowicz et al.	.....	D7/619.1
D538,091	S *	3/2007	Roth	.....	D6/534
D561,009	S *	2/2008	Wood	.....	D8/356
D584,537	S *	1/2009	Cuzzocrea	.....	D6/458
D590,926	S *	4/2009	Crain	.....	D23/266
D608,577	S *	1/2010	Racanelli	.....	D6/534
D627,612	S *	11/2010	Falk et al.	.....	D7/708
D702,886	S *	4/2014	Bohman	.....	D28/73
2007/0044396	A1 *	3/2007	Janesky	.....	52/169.5
2007/0108144	A1 *	5/2007	Flick	.....	211/74
2009/0071921	A1 *	3/2009	Harwin	.....	211/74
2011/0036791	A1 *	2/2011	Huang	.....	211/74

OTHER PUBLICATIONS

Wine Racks—Matte Black, wine racks and arches, [online], posted Aug. 21, 2013, retrieved on Aug. 21, 2014. Retrieved from, <URL: <http://www.pinterest.com/pin/498140408754205579>>, 1 page.\*

Foldable Faux Leather Wine Rack, [online], retrieved on Aug. 21, 2014. Retrieved from, <URL: <http://fssdglarry.en.made-inchina.com/product/uKiQFzqDZPck/China-Foldable-Faux-Leather-Wine-Rack-1367R1-.html>>, 1 page.\*

Red Semi-circle wine rack, [online], retrieved on Aug. 21, 2014. Retrieved from, <URL: <http://fssdglarry.en.made-in-china.com/product/qbCnxIwJhihg/China-Red-Semi-Circle-Wine-Rack-4652-.html>>, 1 page.\*

Clear-Ingenuous-Practical-Semicircular-Acrylic-Perspex, [online], retrieved on Aug. 21, 2014. Retrieved from, <URL: <http://www.vanjin.com/product/2371/Clear-Ingenuous-Practical-Semicircular-Acrylic-Perspex-5-Pen-Pencil-Ball-PenStationery...>>, 1 page.\*

\* cited by examiner

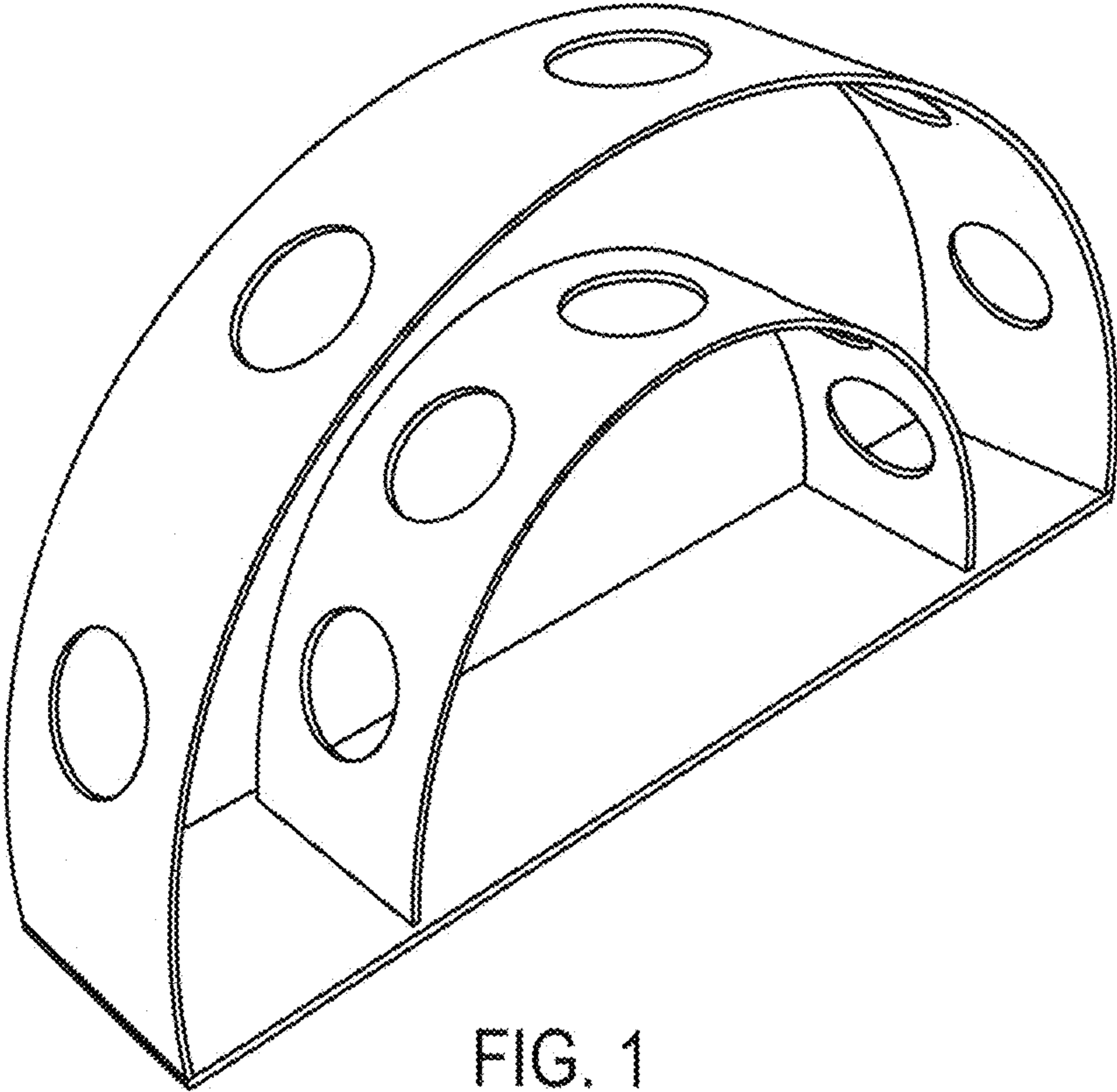


FIG. 1

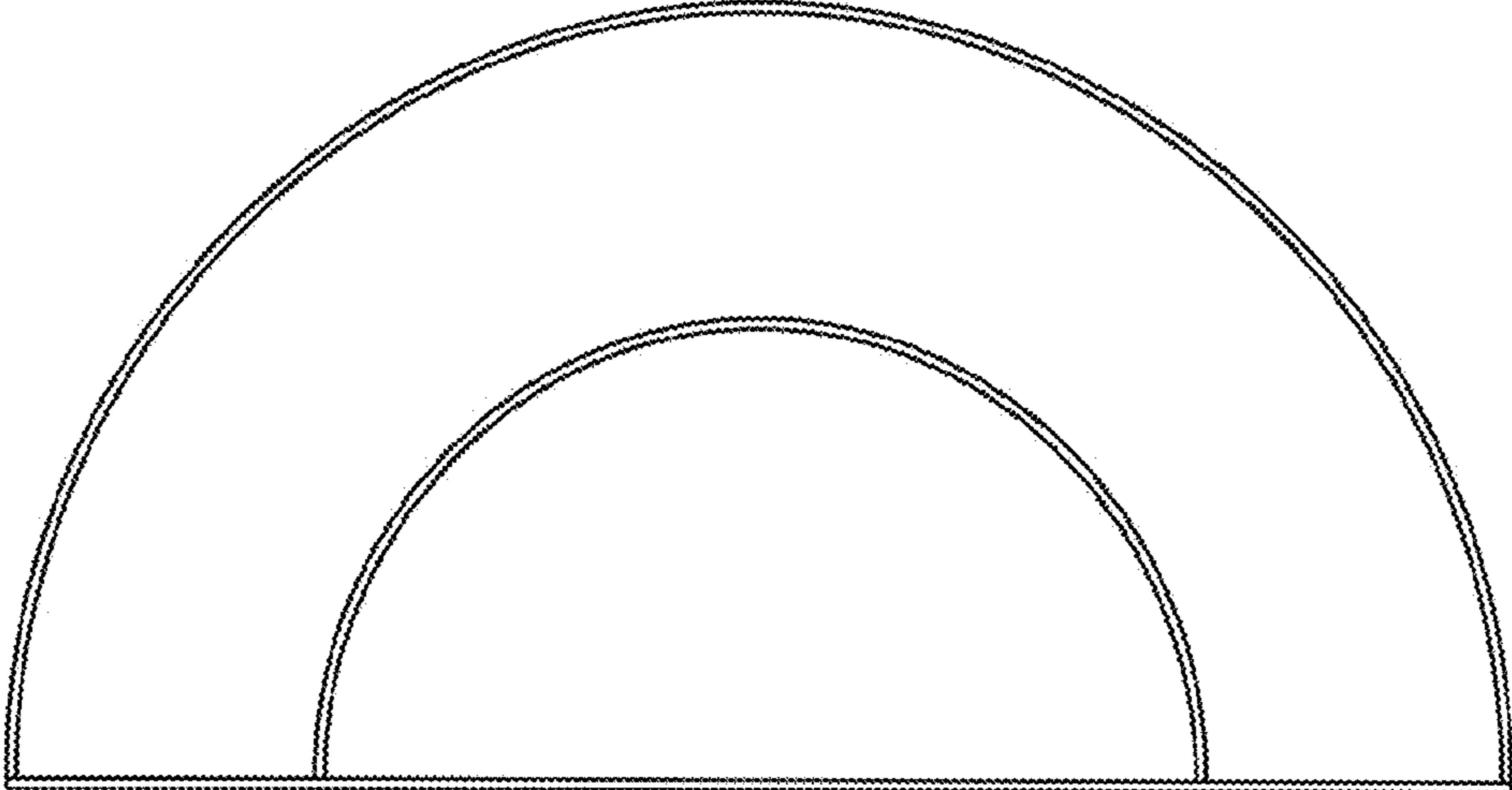


FIG. 2

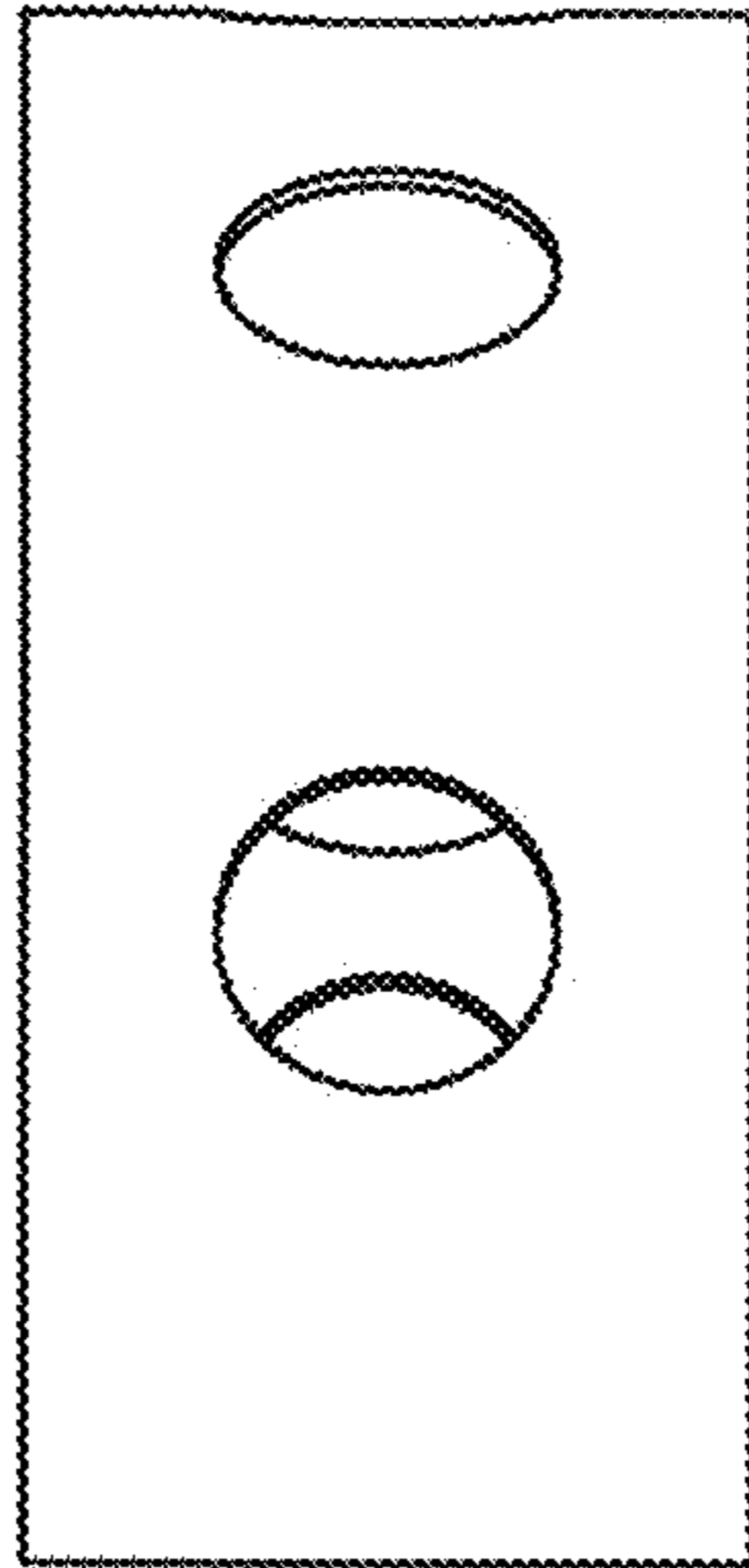


FIG. 3

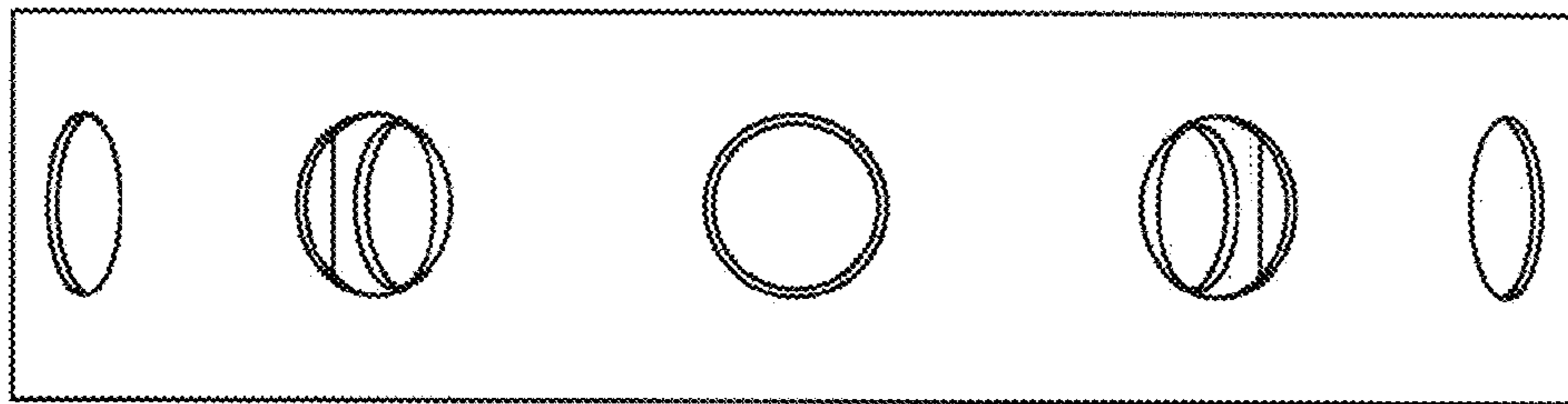


FIG. 4

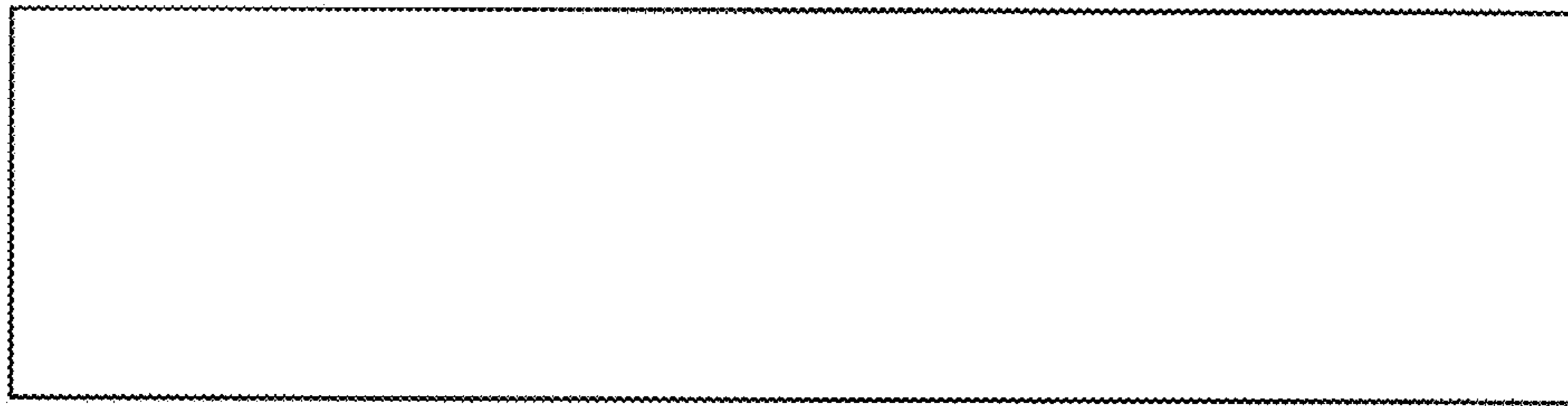


FIG. 5

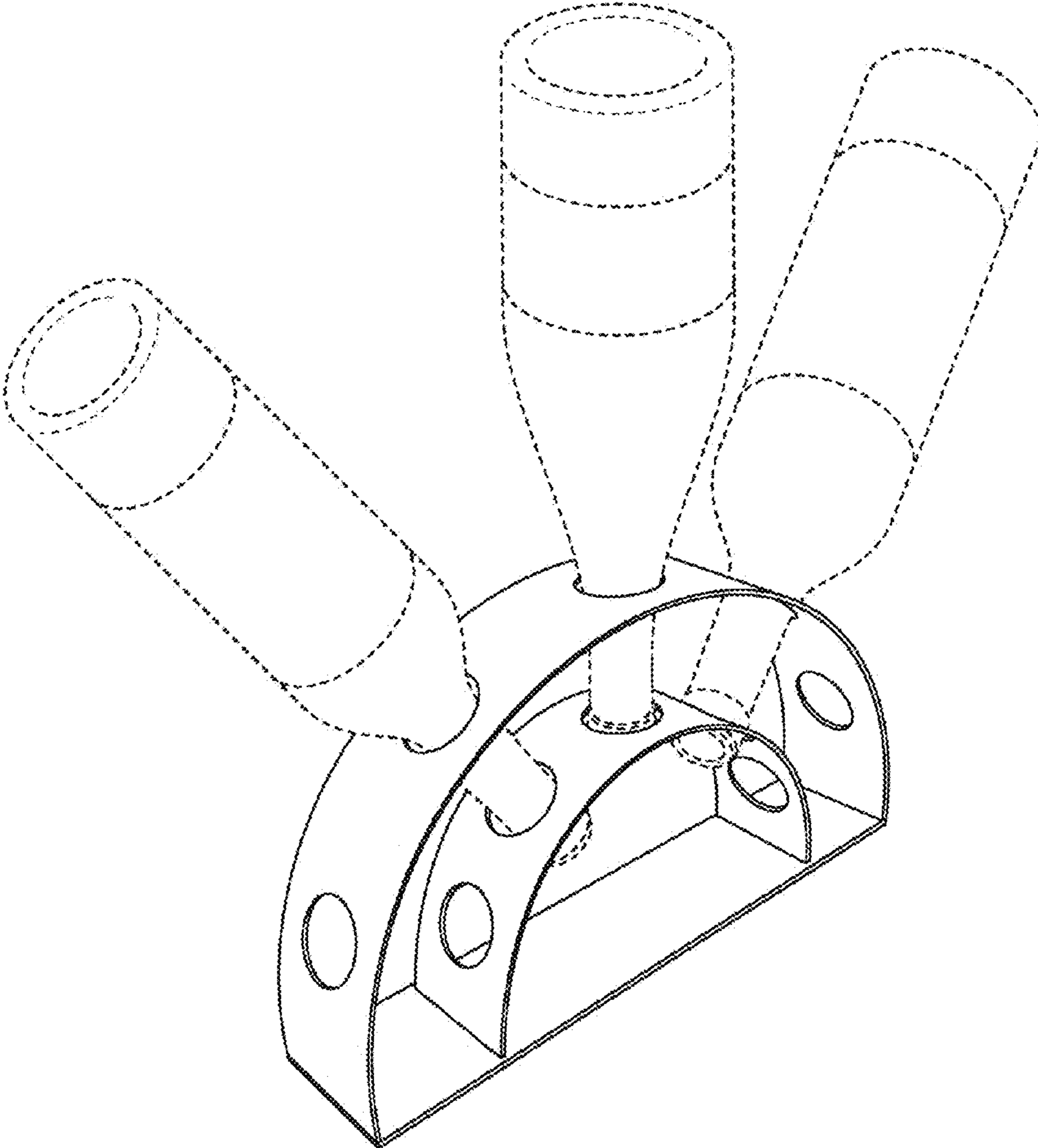


FIG. 6