



US00D721929S

(12) **United States Design Patent**
Lueker

(10) **Patent No.:** **US D721,929 S**
(45) **Date of Patent:** **** Feb. 3, 2015**

(54) **PORTABLE MULTIFUNCTION BEVERAGE CONTAINER HOLDER**

(71) Applicant: **Mark David Lueker**, Loveland, CO (US)

(72) Inventor: **Mark David Lueker**, Loveland, CO (US)

(**) Term: **14 Years**

(21) Appl. No.: **29/468,023**

(22) Filed: **Sep. 26, 2013**

(51) **LOC (10) Cl.** **07-06**

(52) **U.S. Cl.**
USPC **D7/701**

(58) **Field of Classification Search**

CPC A47G 23/02; A47G 23/0208; A47G 23/0216; A47G 23/0225; A47G 23/0266; B60N 3/10; B60N 3/103

USPC D7/701-708; 211/71.01, 74, 70.1, 211/85.29; 248/311.2, 312.1, 102, 103, 146
See application file for complete search history.

(56) **References Cited**

U.S. PATENT DOCUMENTS

6,705,240	B2 *	3/2004	Block et al.	108/150
6,945,502	B2 *	9/2005	Restifo	248/146
D527,231	S *	8/2006	Perotti et al.	D7/707
8,397,963	B2 *	3/2013	Singh	224/275
2003/0141424	A1 *	7/2003	Thomas	248/311.2
2012/0305716	A1 *	12/2012	McKay et al.	248/146

* cited by examiner

Primary Examiner — Terry Wallace

(57) **CLAIM**

The ornamental design for a portable multifunction beverage container holder, as shown and described.

DESCRIPTION

FIG. 1 depicts a perspective view of the portable multifunction beverage container holder showing the new design with the deployable stemmed beverage container support arms in the stowed configuration and the legs in the vertical configuration;

FIG. 2 is a front elevation view of FIG. 1, the back elevation view being a mirror image;

FIG. 3 is a left side elevation view of FIG. 1, the right side elevation view being a mirror image;

FIG. 4 depicts a top plan view of FIG. 1;

FIG. 5 depicts a bottom plan view of FIG. 1;

FIG. 6 is an alternate perspective view of the new design showing the portable multifunction beverage container holder with the deployable stemmed beverage container support arms in an alternate deployed configuration and the legs in the alternate horizontal configuration;

FIG. 7 is a front elevation view of FIG. 6;

FIG. 8 is a rear elevation view of FIG. 6;

FIG. 9 is a right side elevation view of FIG. 6;

FIG. 10 is a left side elevation view of FIG. 6;

FIG. 11 depicts a top plan view of FIG. 6;

FIG. 12 depicts a bottom plan view of FIG. 6;

FIG. 13 is an alternate perspective view of the new design showing the portable multifunction beverage container holder with the deployable stemmed beverage container support arms in an alternate stowed configuration and the legs in the alternate horizontal opposed configuration;

FIG. 14 depicts a bottom plan view of FIG. 13;

FIG. 15 is an alternate perspective view of the new design showing the portable multifunction beverage container holder with the deployable stemmed beverage container support arms in an alternate stowed configuration and the legs in the alternate stowed configuration;

FIG. 16 depicts a bottom plan view of FIG. 15;

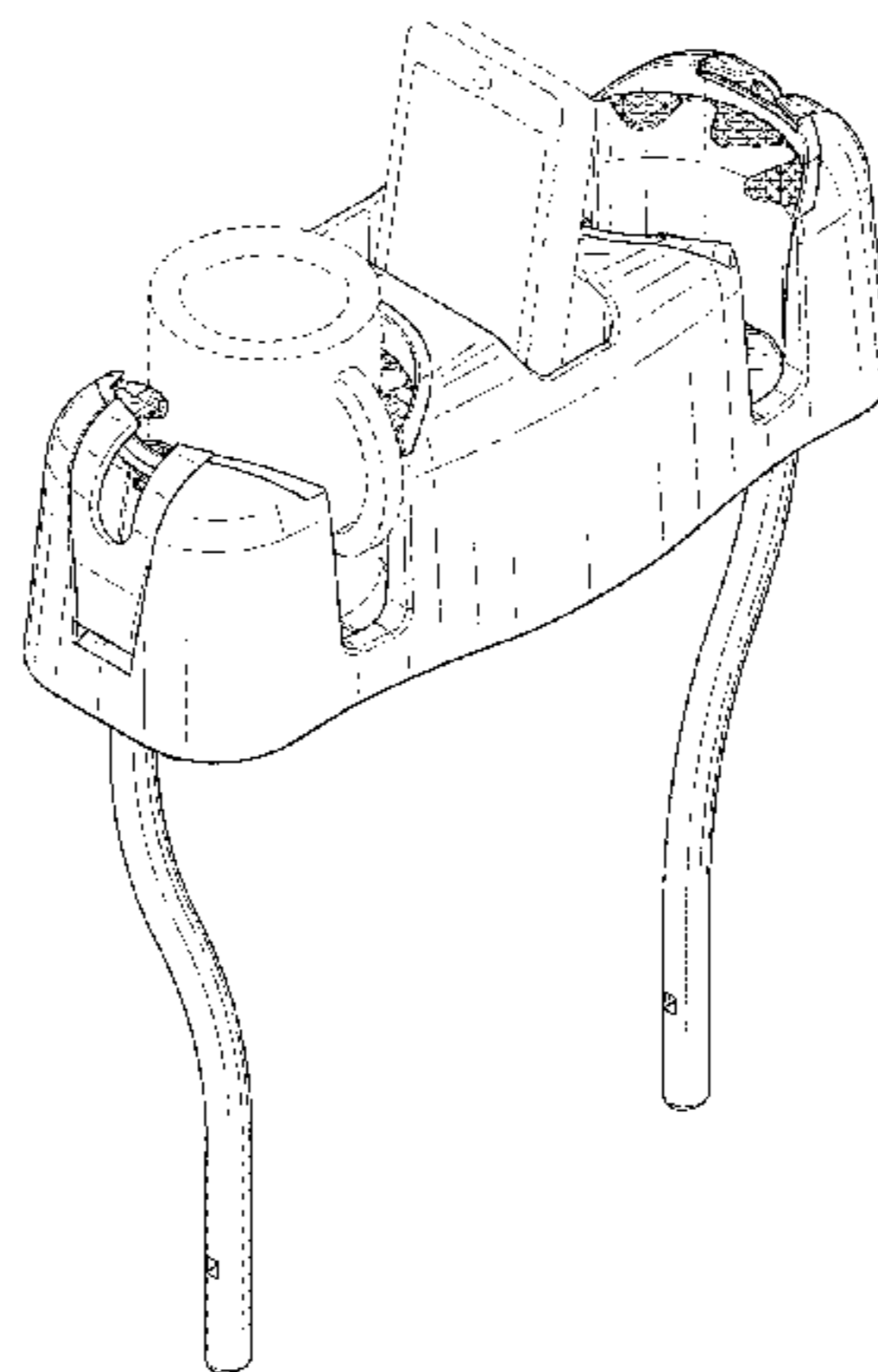
FIG. 17 is an alternate perspective view of the new design showing the portable multifunction beverage container holder with the deployable stemmed beverage container support arms in an alternate stowed configuration and the legs removed;

FIG. 18 is a front elevation view of FIG. 17, the back elevation view being a mirror image;

FIG. 19 is a left side elevation view of FIG. 17, the right side elevation view being a mirror image;

FIG. 20 depicts a bottom plan view of FIG. 17;

FIG. 21 is an alternate perspective view of the new design showing the portable multifunction beverage container holder with the deployable stemmed beverage container support arms in an alternate deployed configuration and the legs removed;



US D721,929 S

Page 2

FIG. 22 is a front elevation view of FIG. 21, the back elevation view being a mirror image;

FIG. 23 is a left side elevation view of FIG. 21, the right side elevation view being a mirror image;

FIG. 24 depicts a top plan view of FIG. 21; and,

FIG. 25 depicts a bottom plan view of FIG. 21.

The shade lines in FIGS. 1-25 show contour and not surface ornamentation.

The broken lines in FIGS. 1-25 depict environmental subject matter only and form no part of the claimed design.

1 Claim, 16 Drawing Sheets

FIG. 1

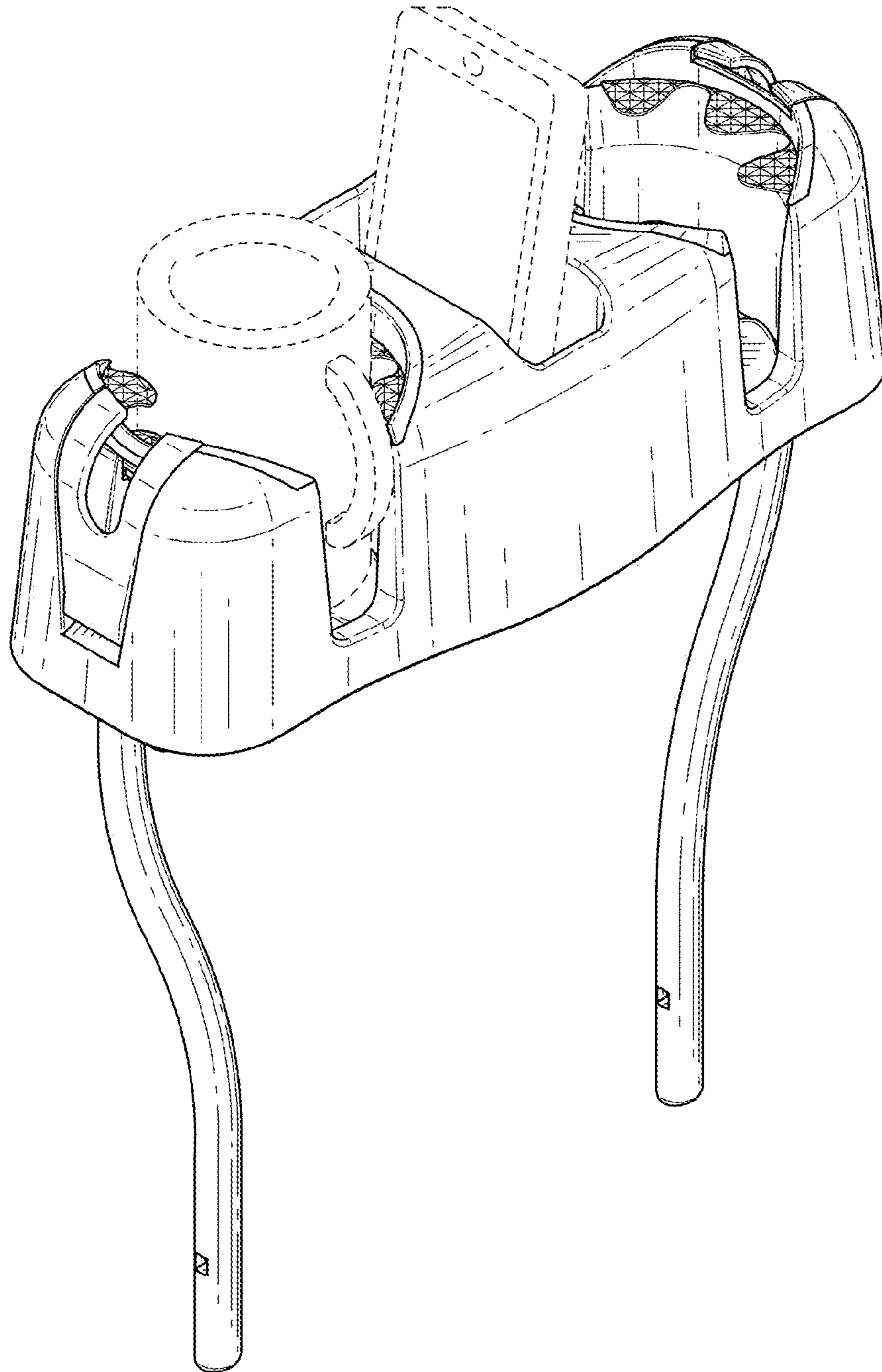


FIG. 3

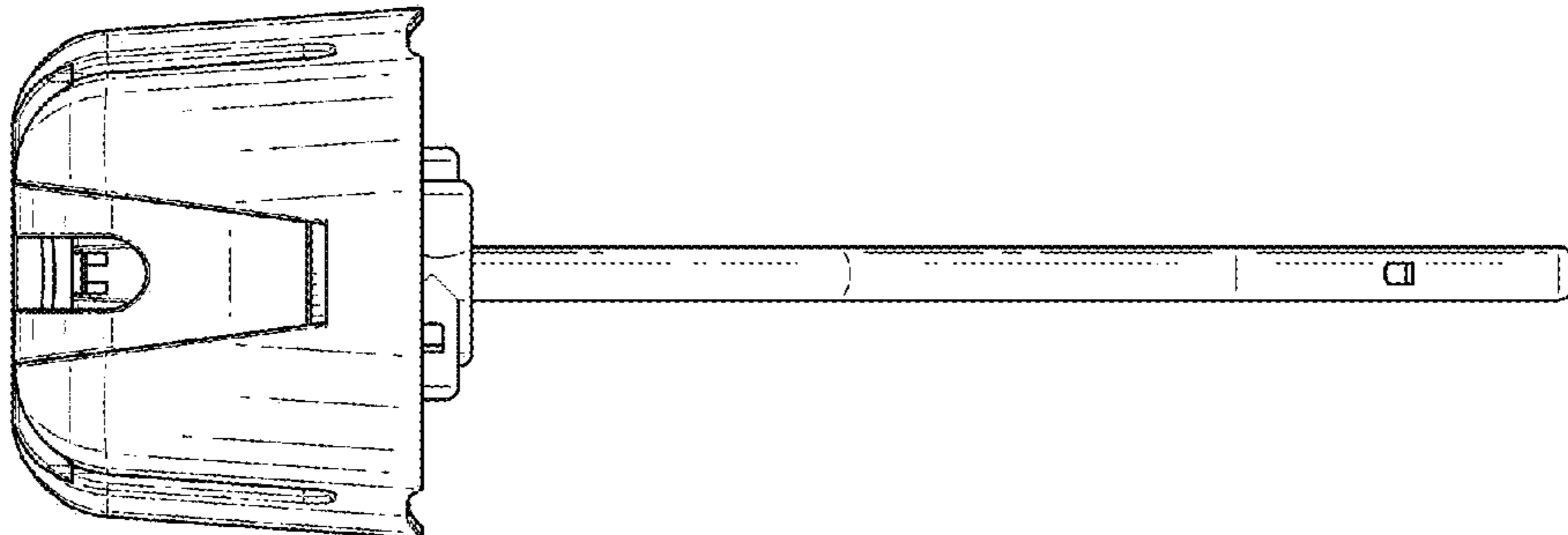


FIG. 2

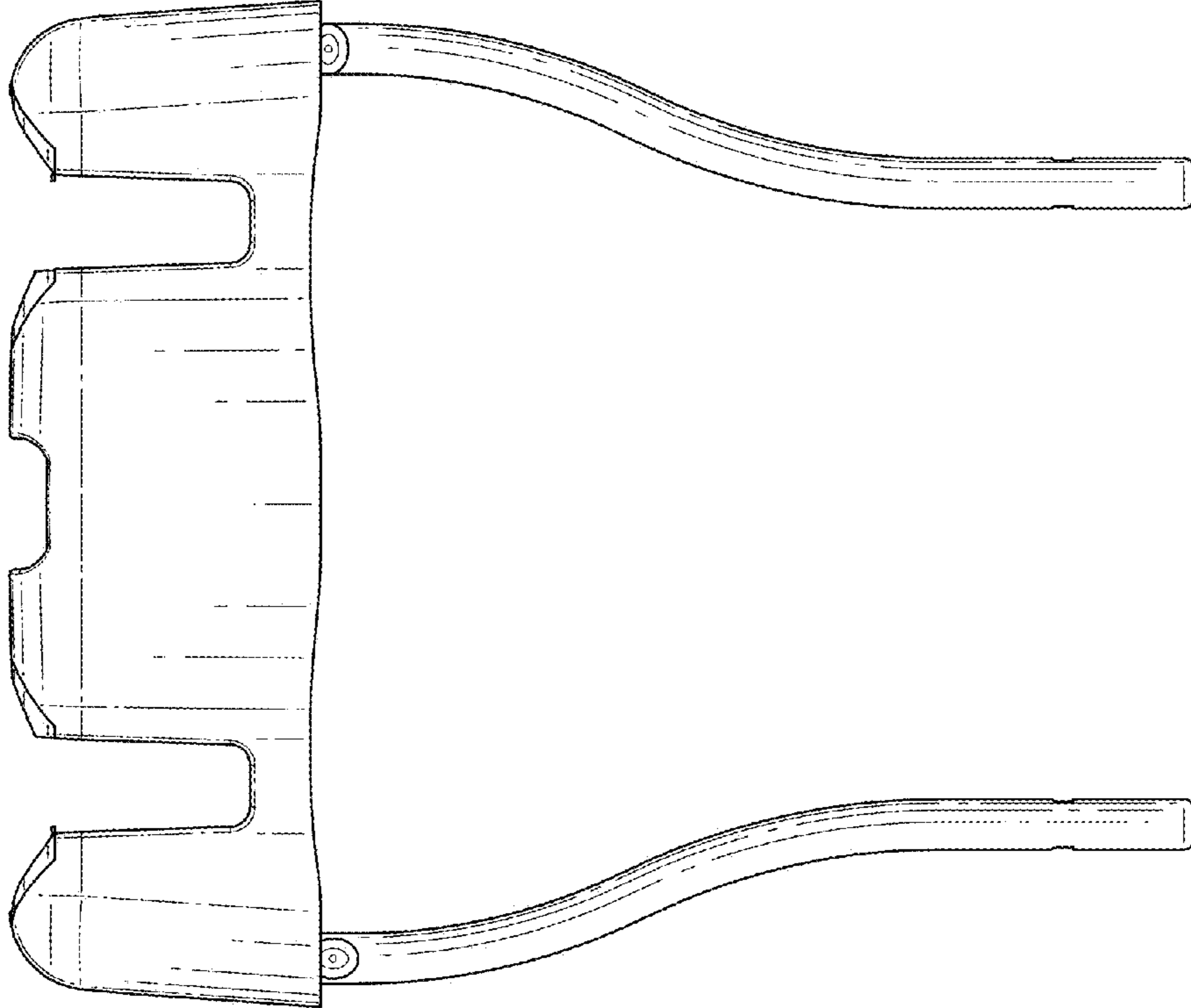


FIG. 4

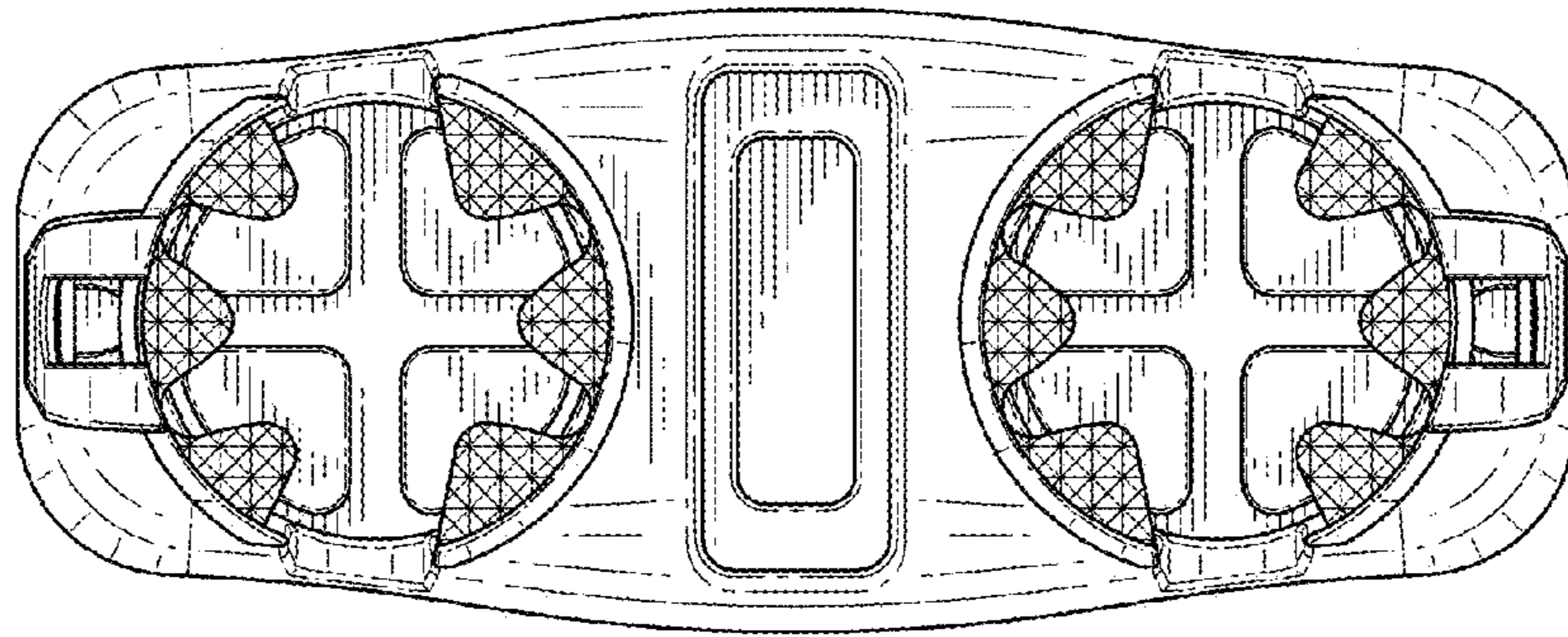
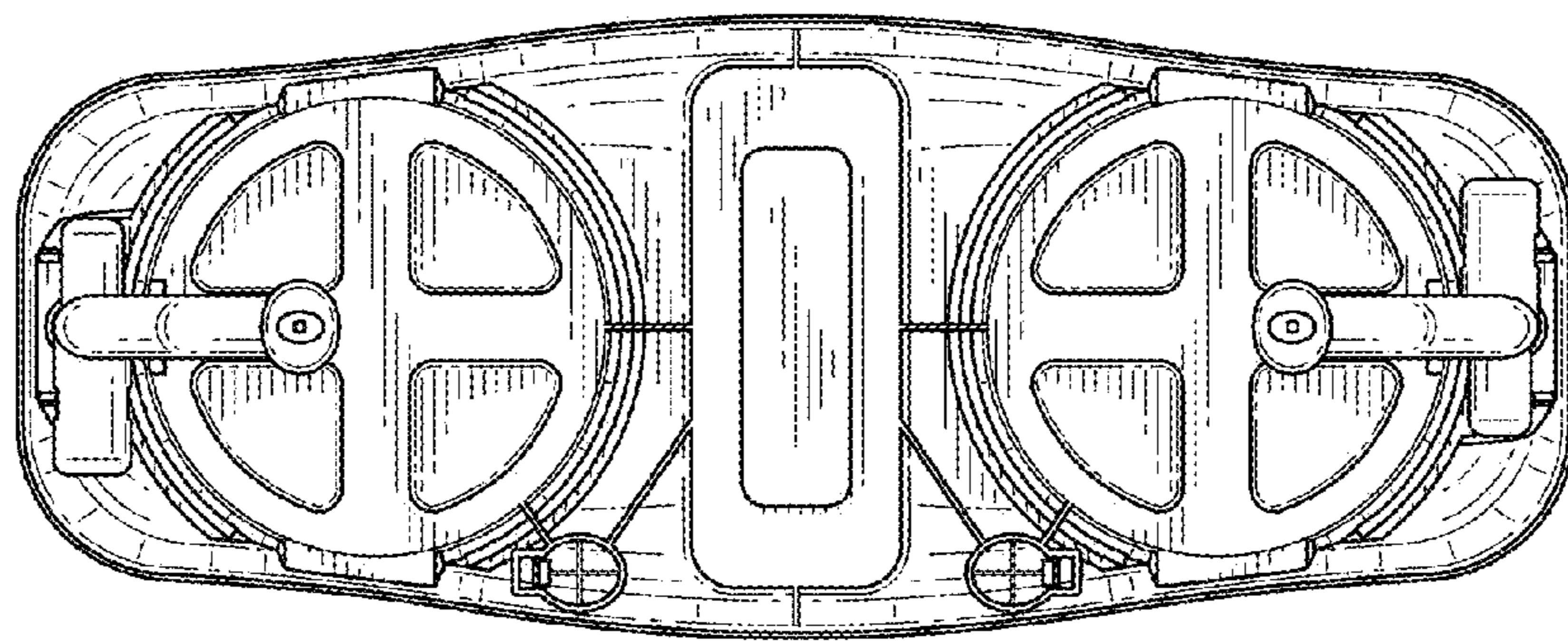


FIG. 5



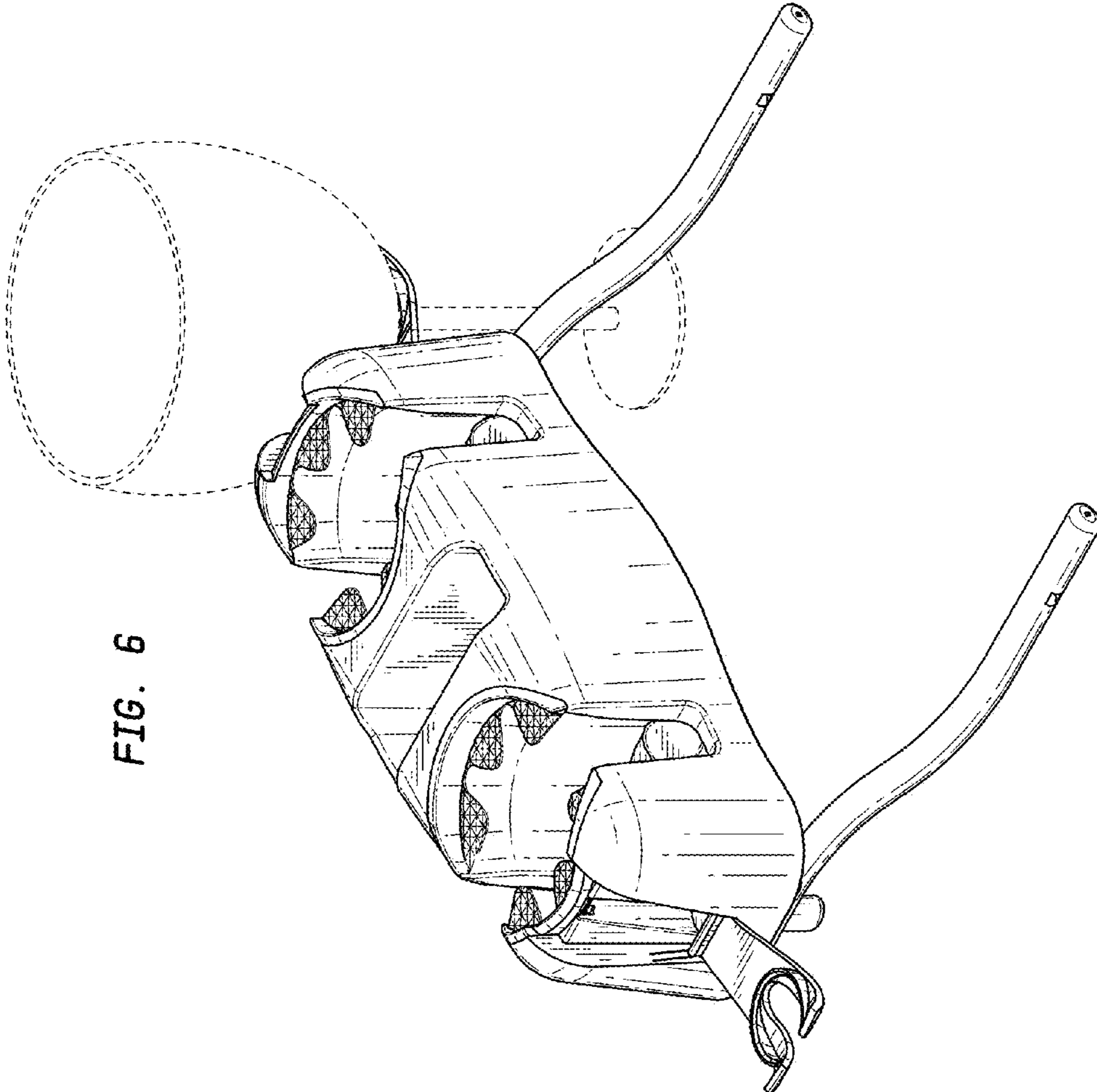


FIG. 6

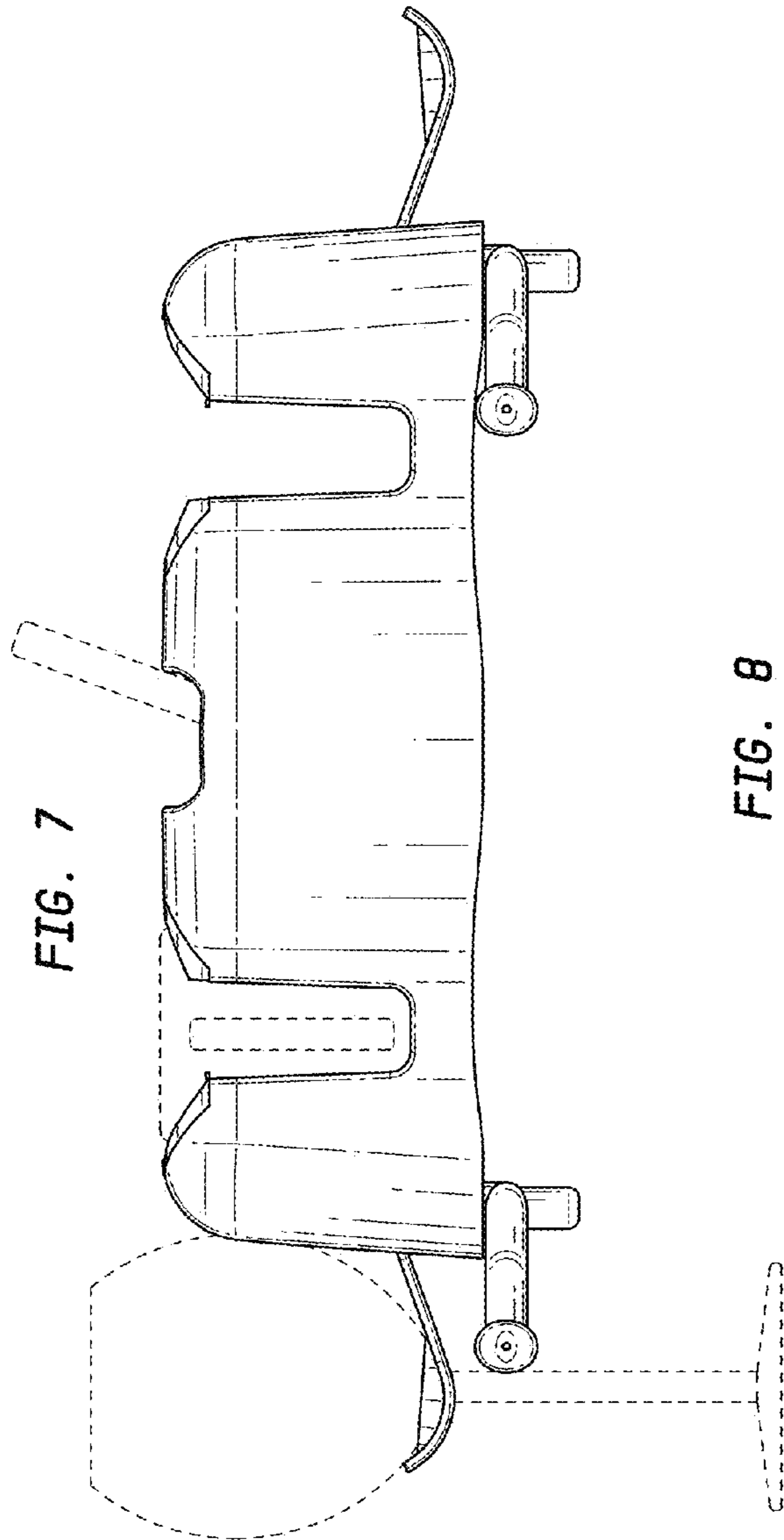


FIG. 8

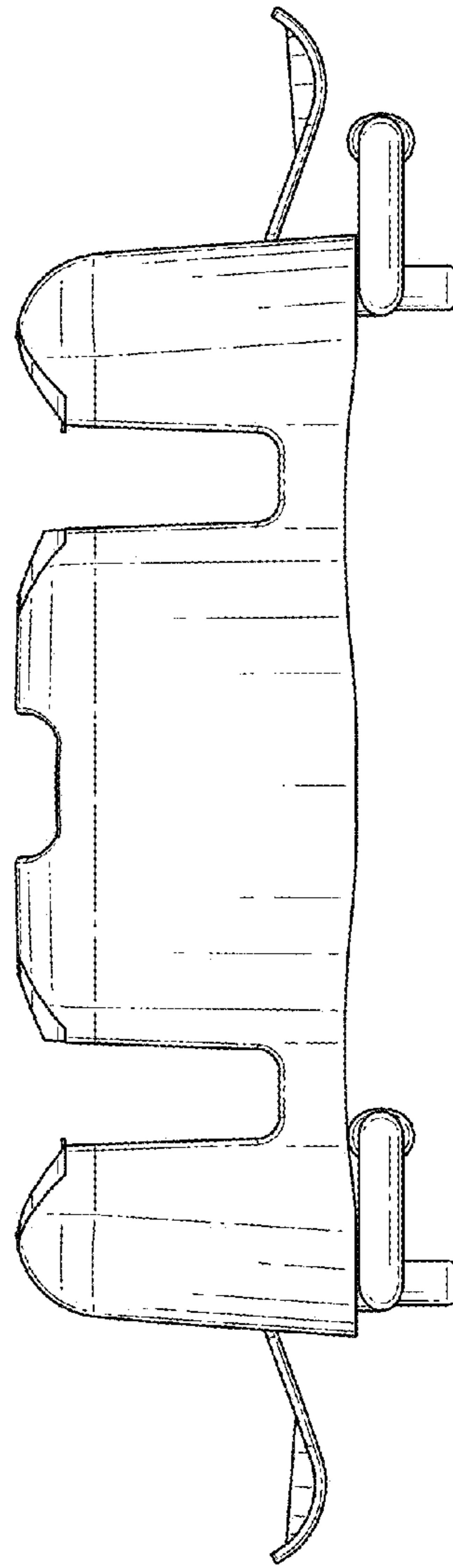


FIG. 9

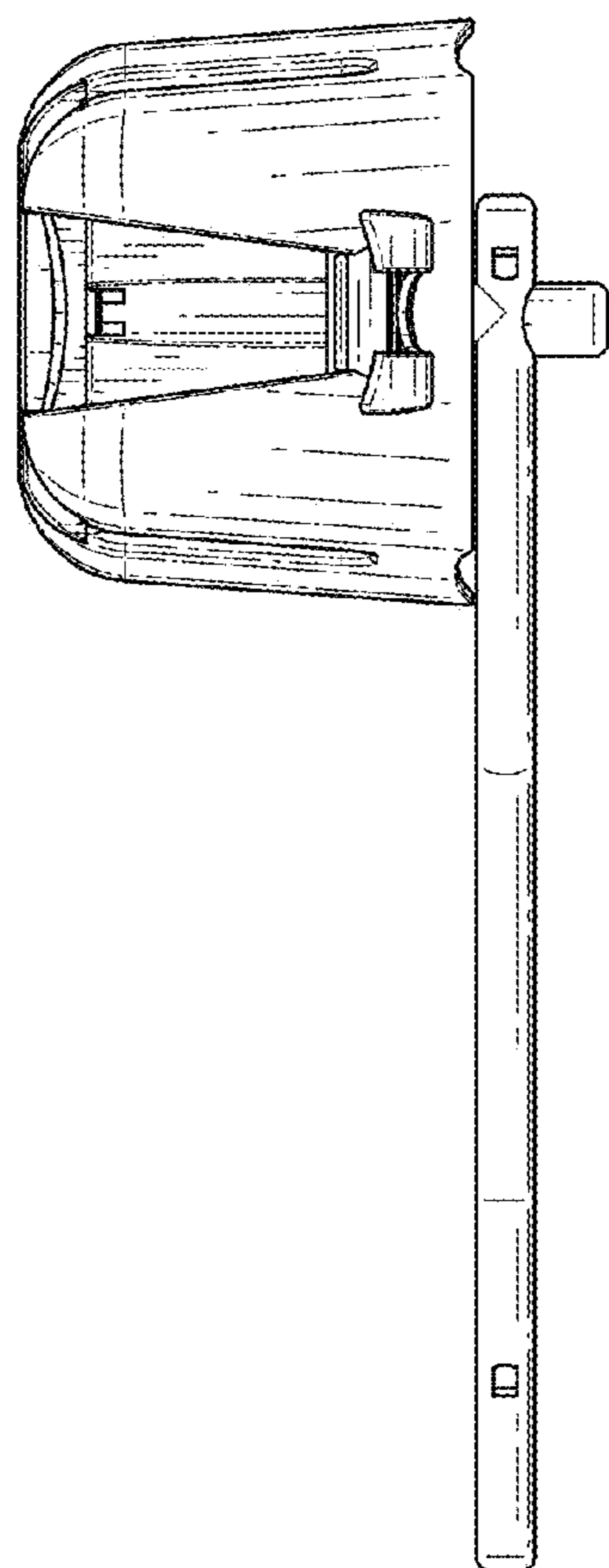


FIG. 10

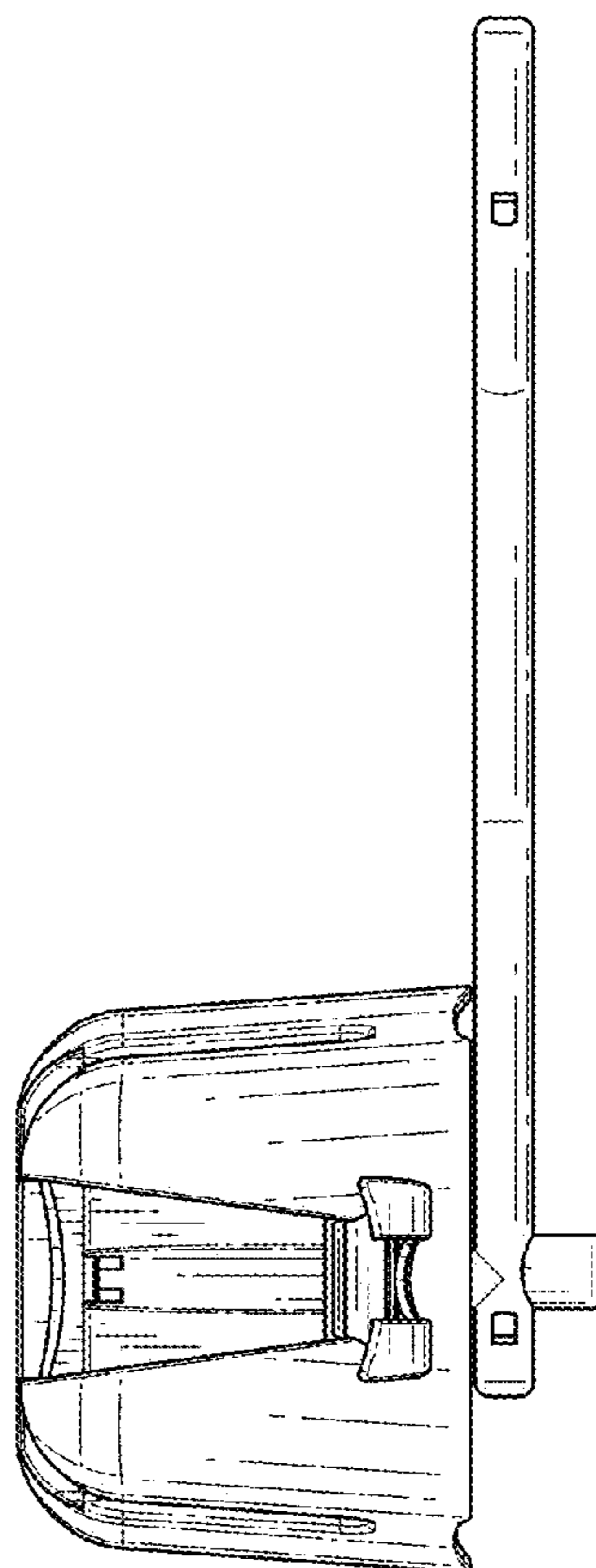
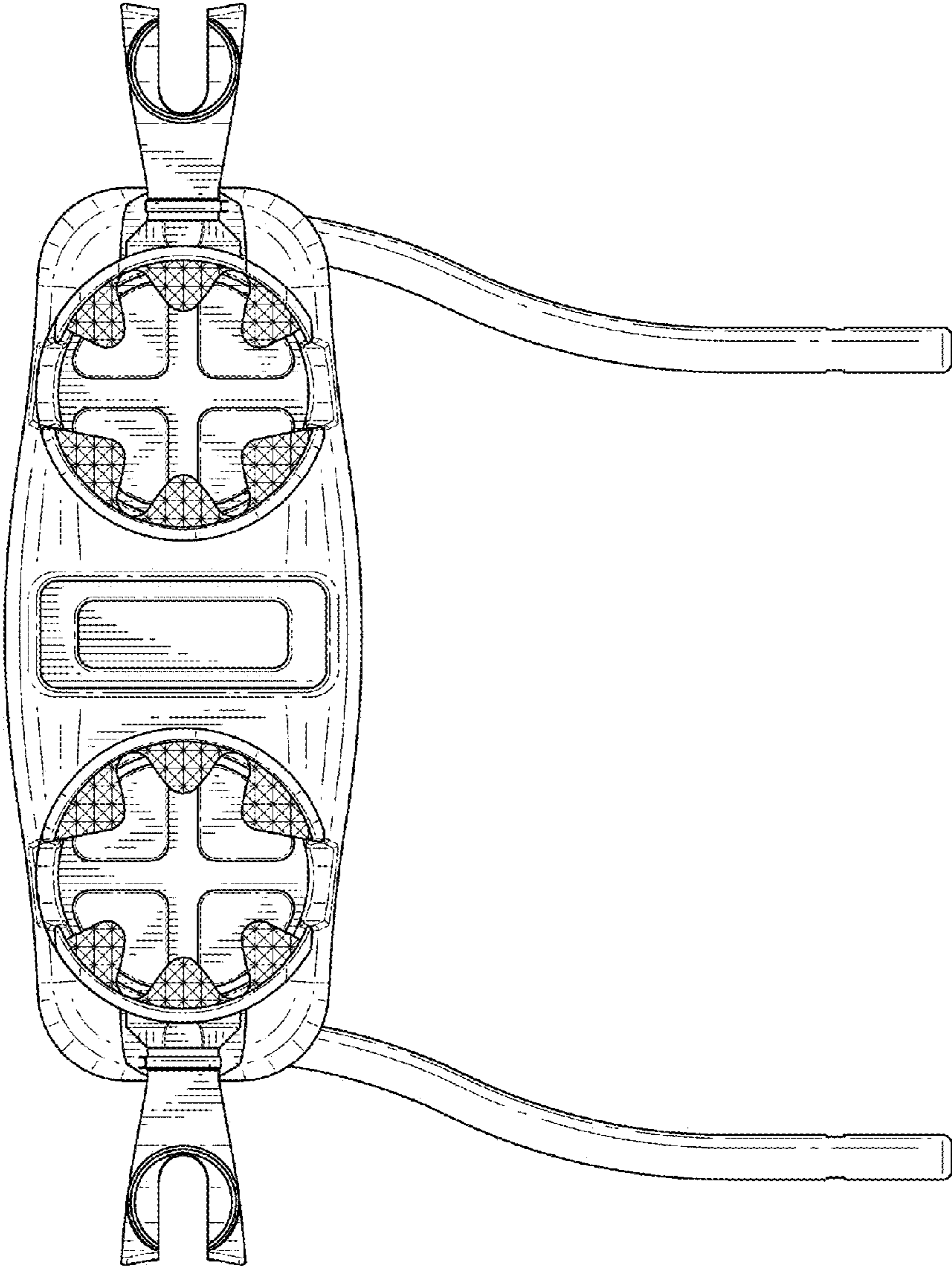


FIG. 11



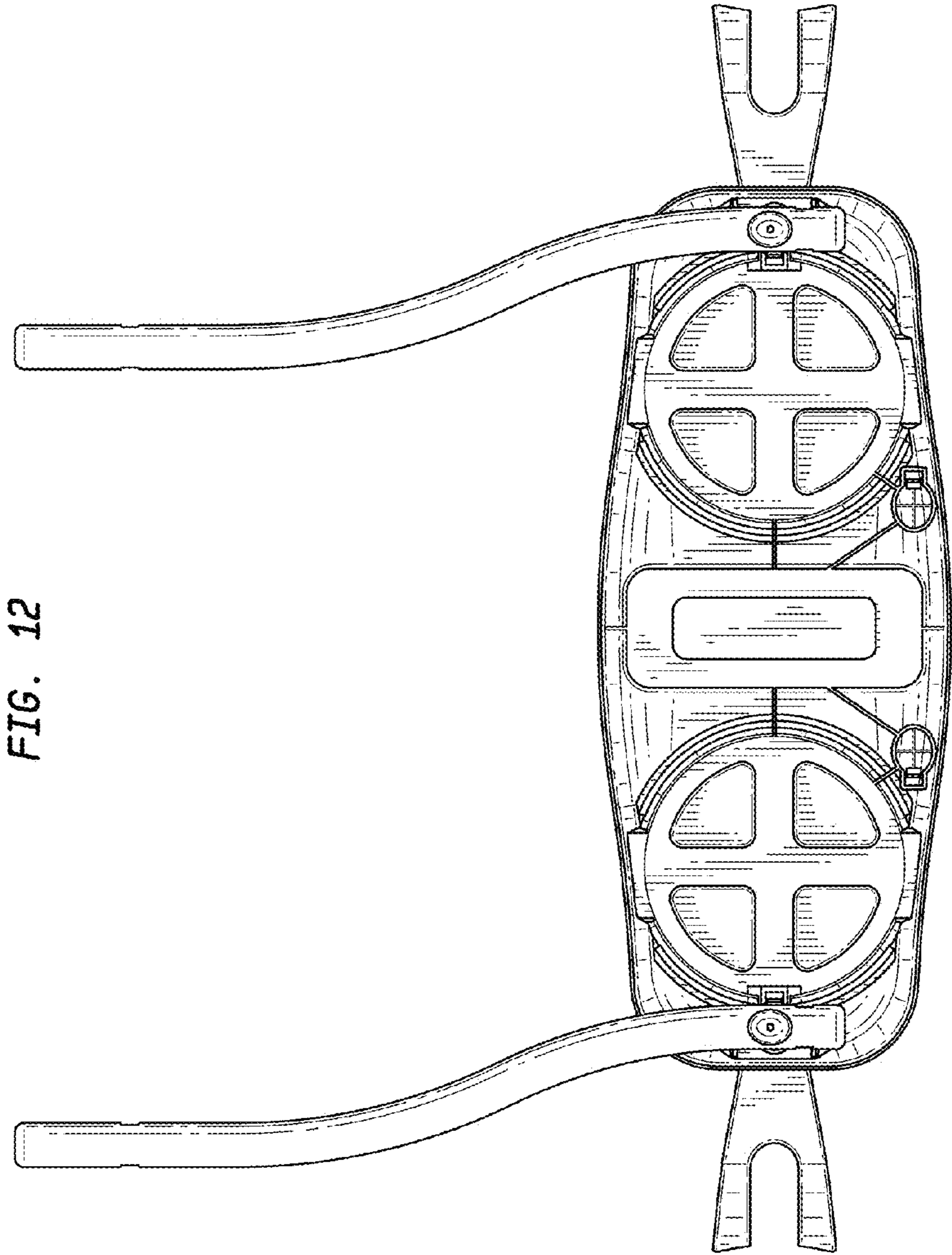


FIG. 12

FIG. 13

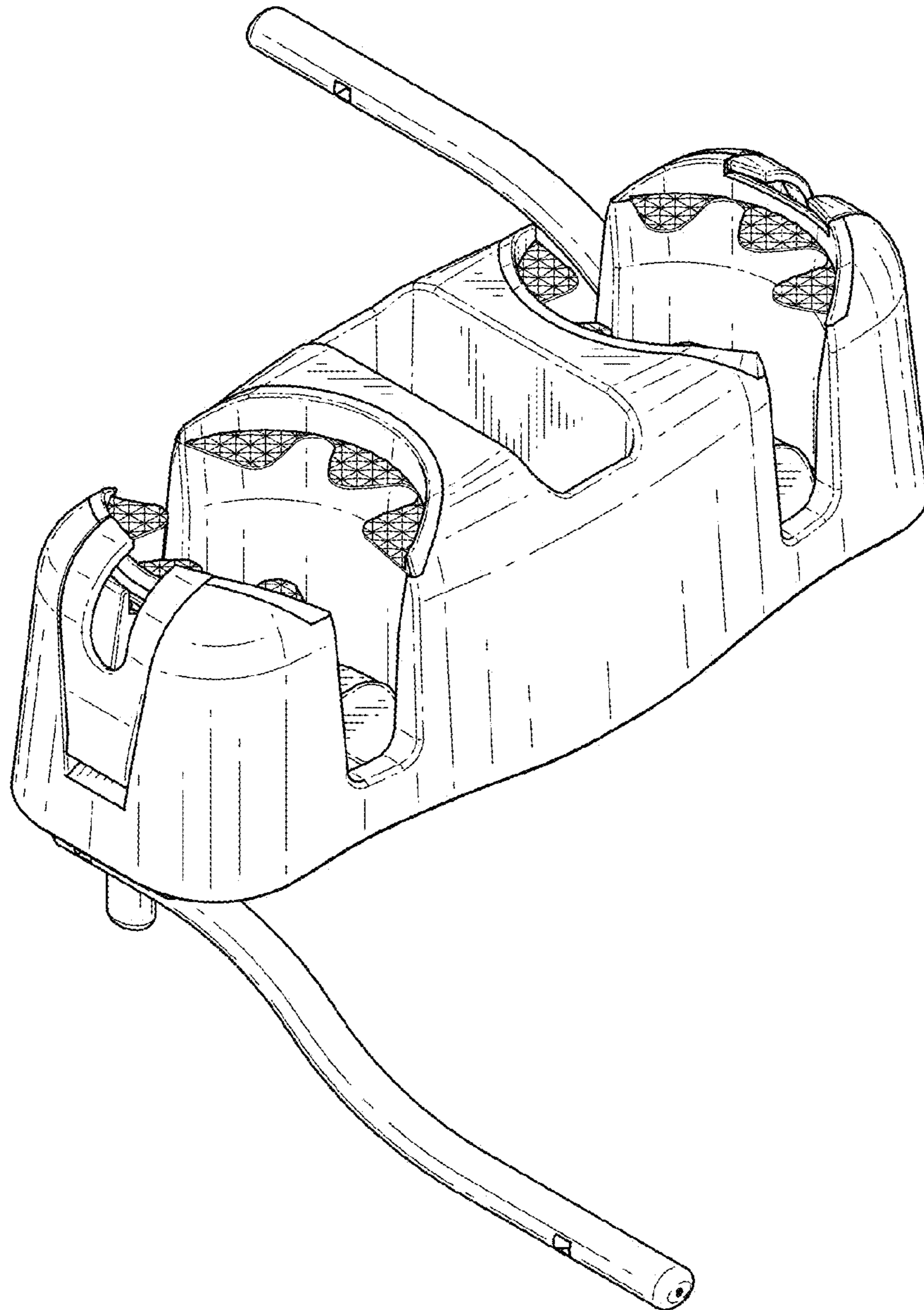


FIG. 14

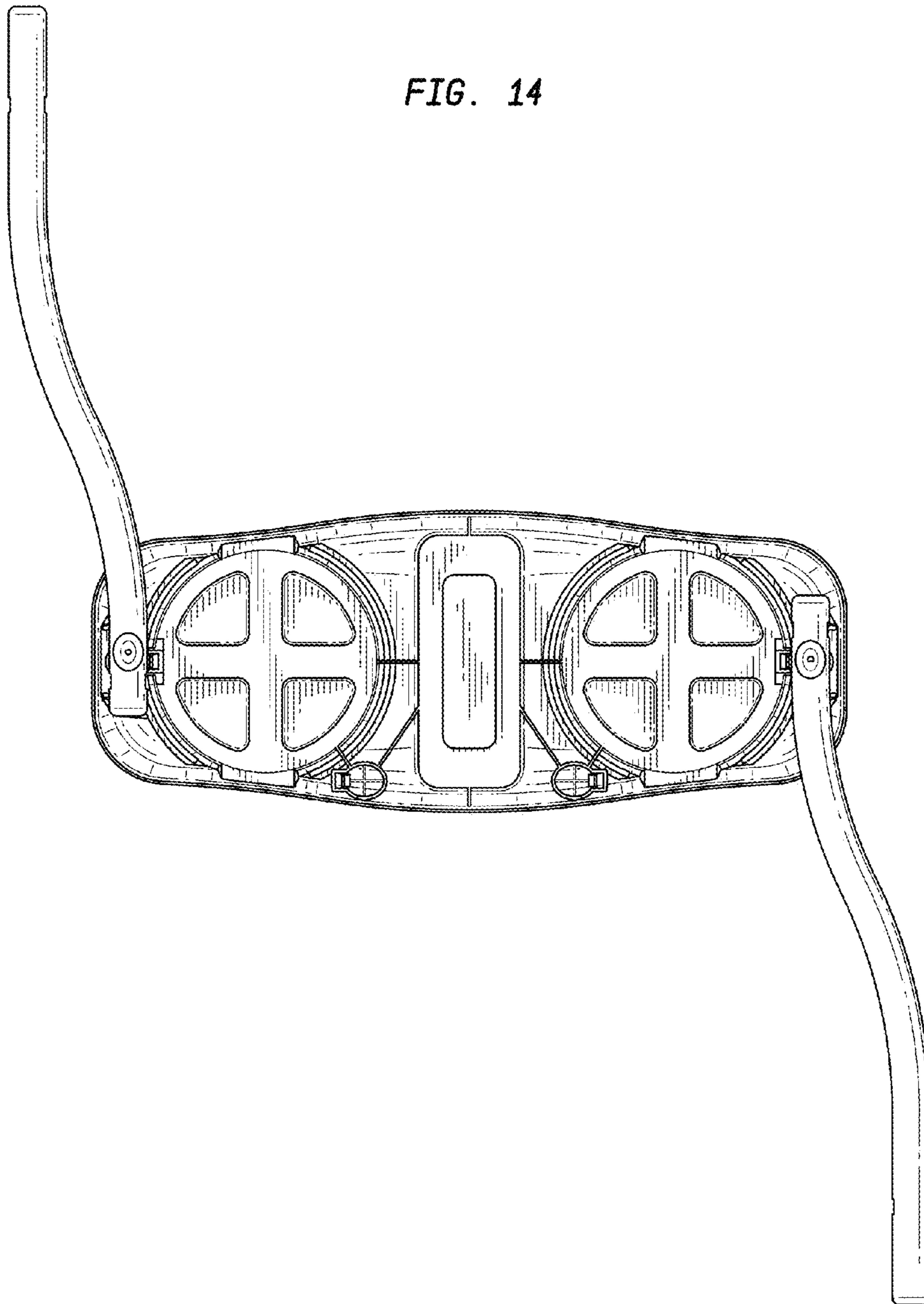


FIG. 15

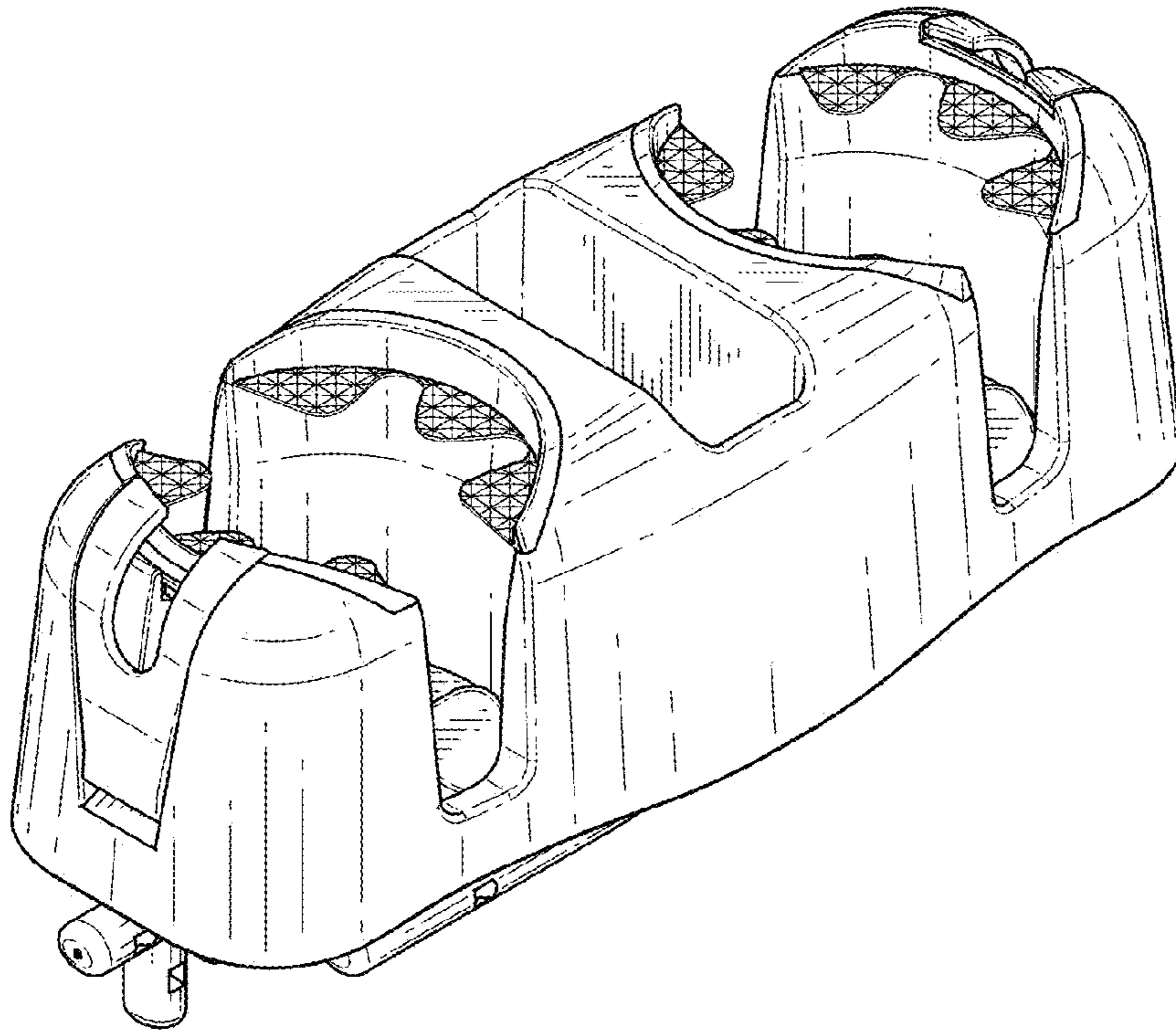


FIG. 16

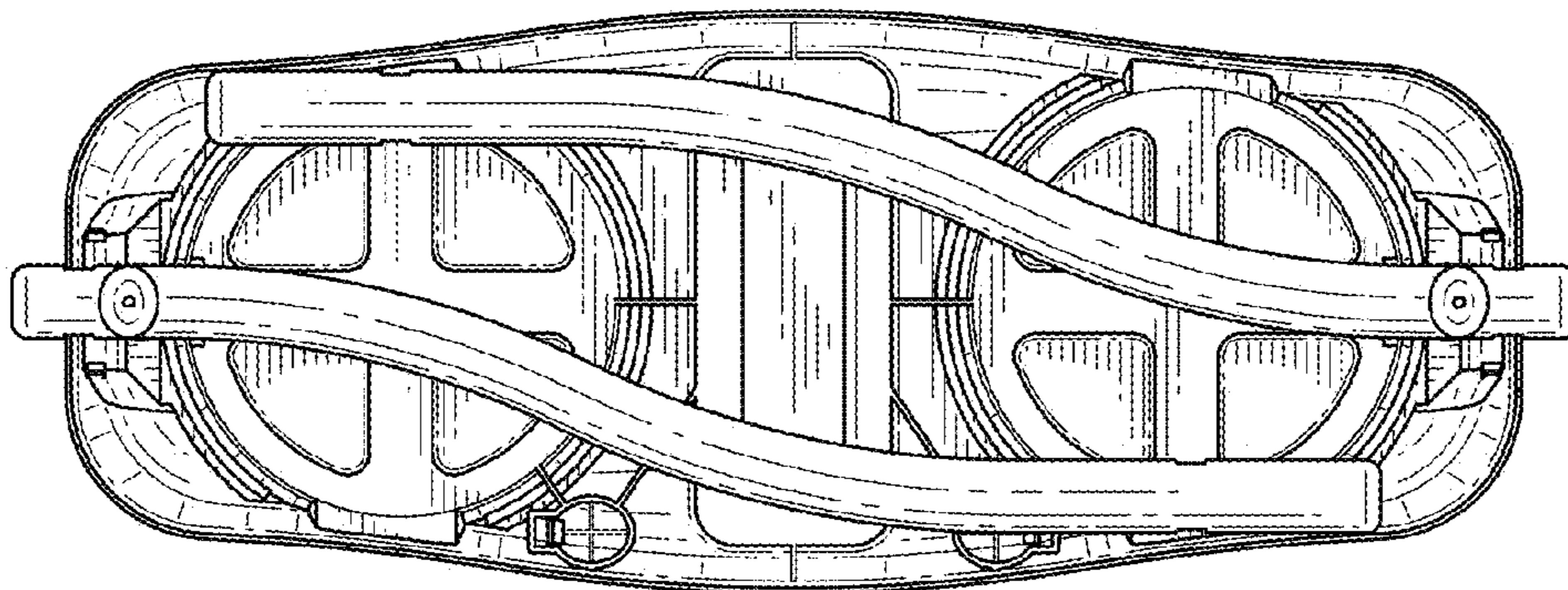


FIG. 17

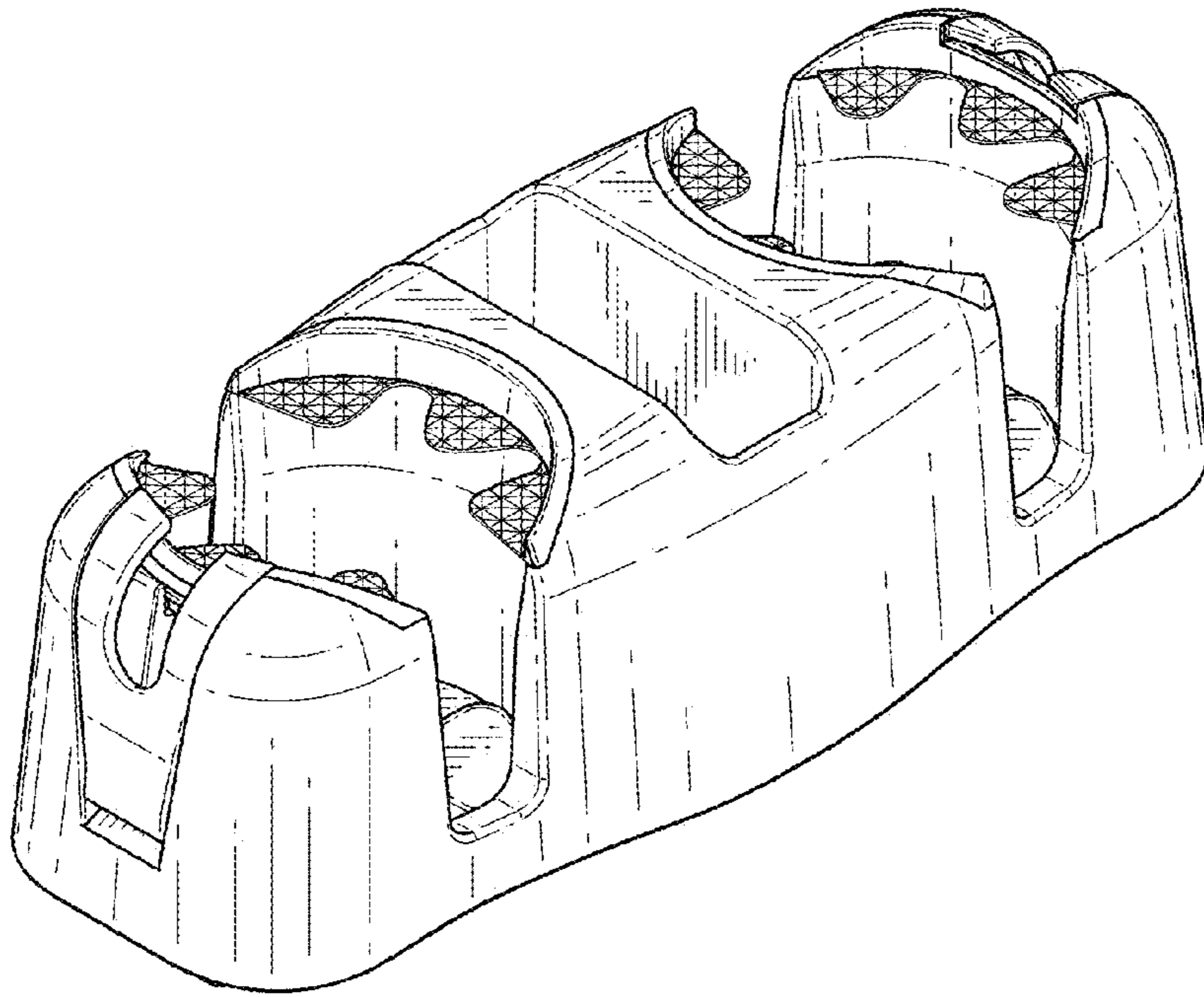


FIG. 18

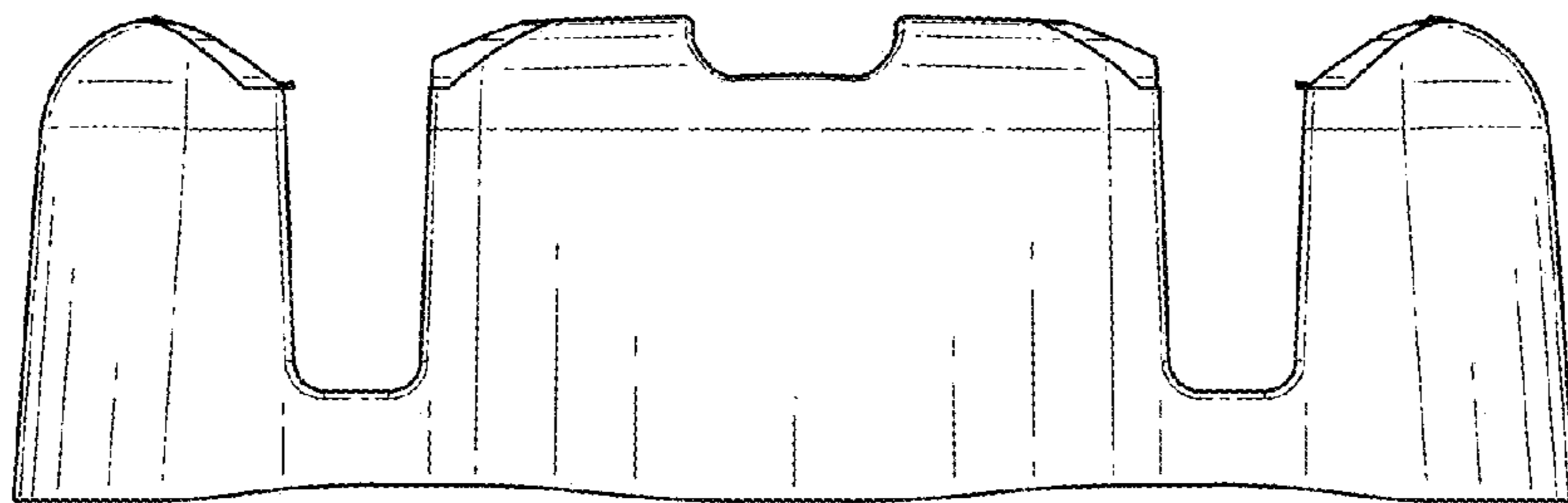


FIG. 19

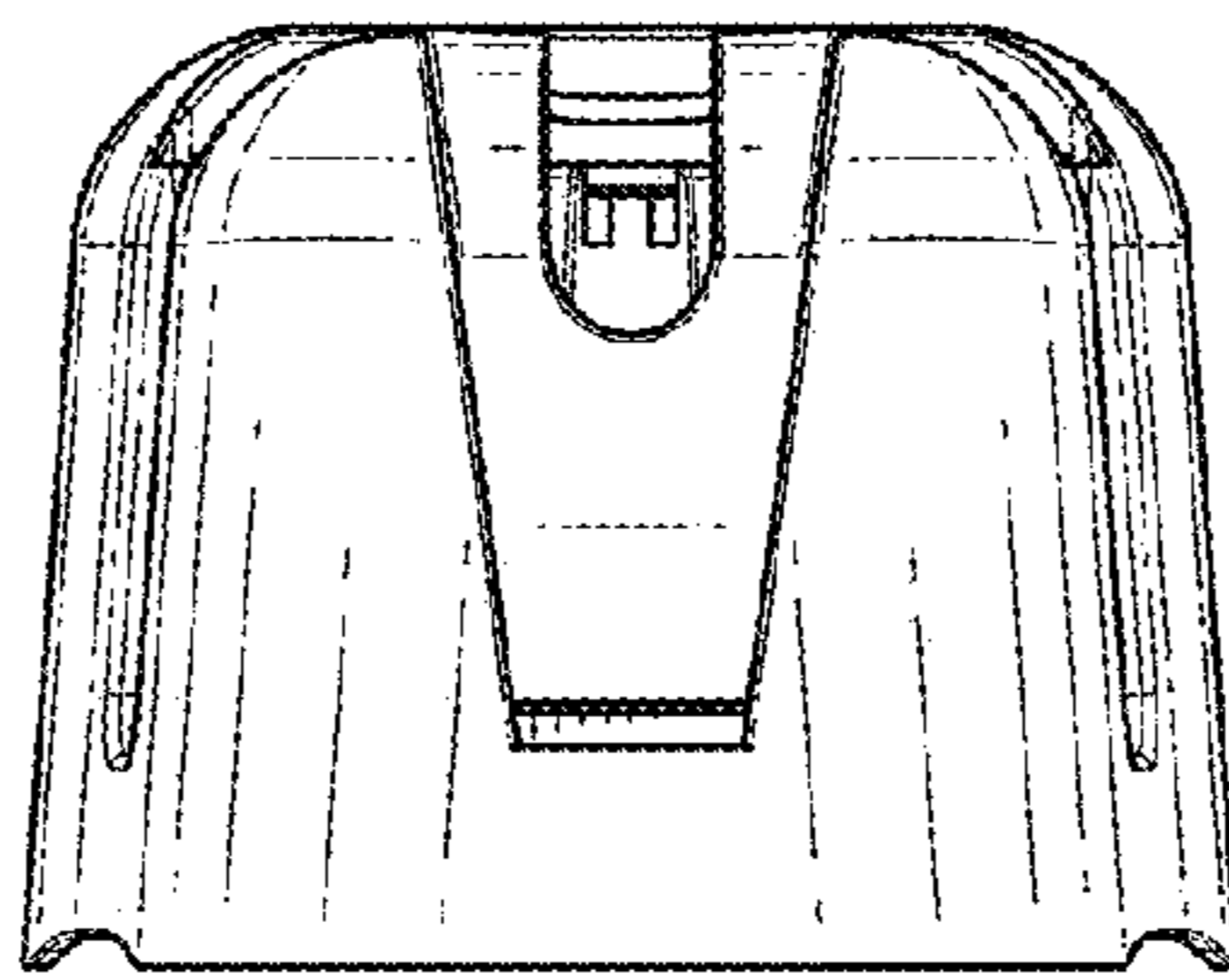
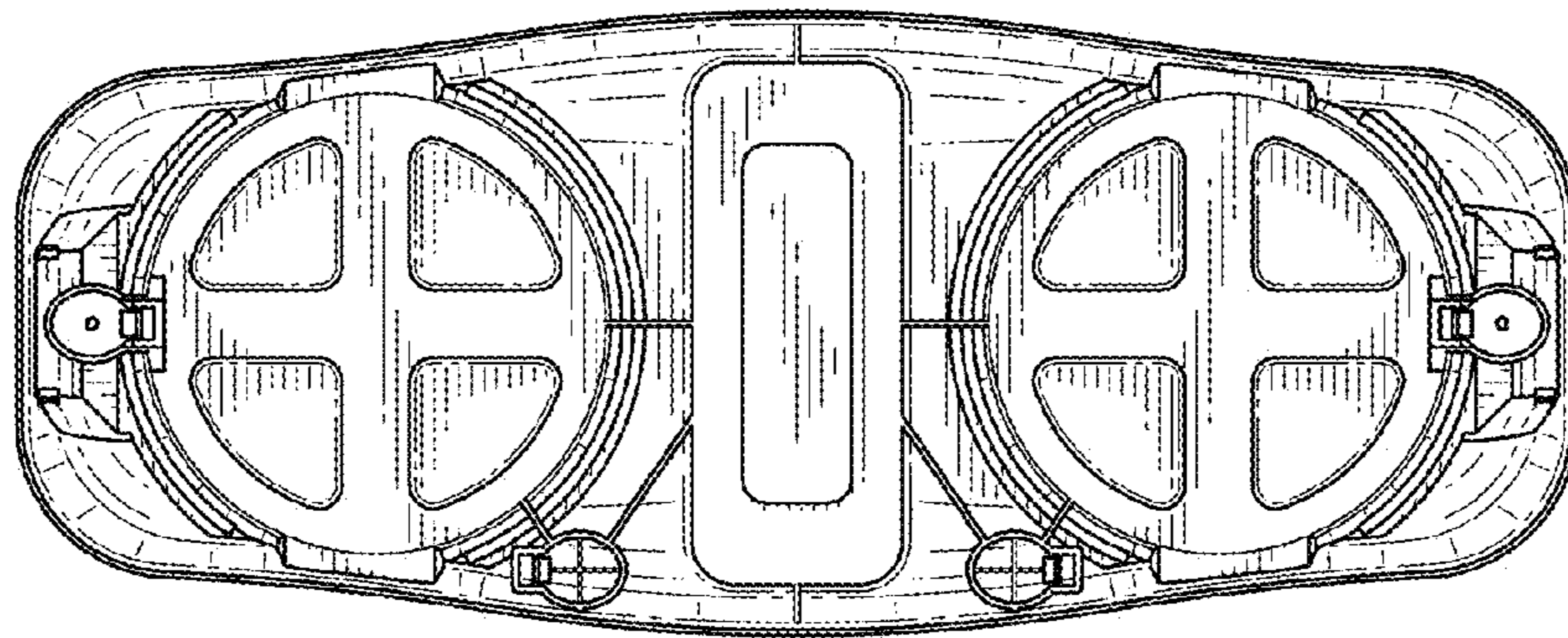


FIG. 20



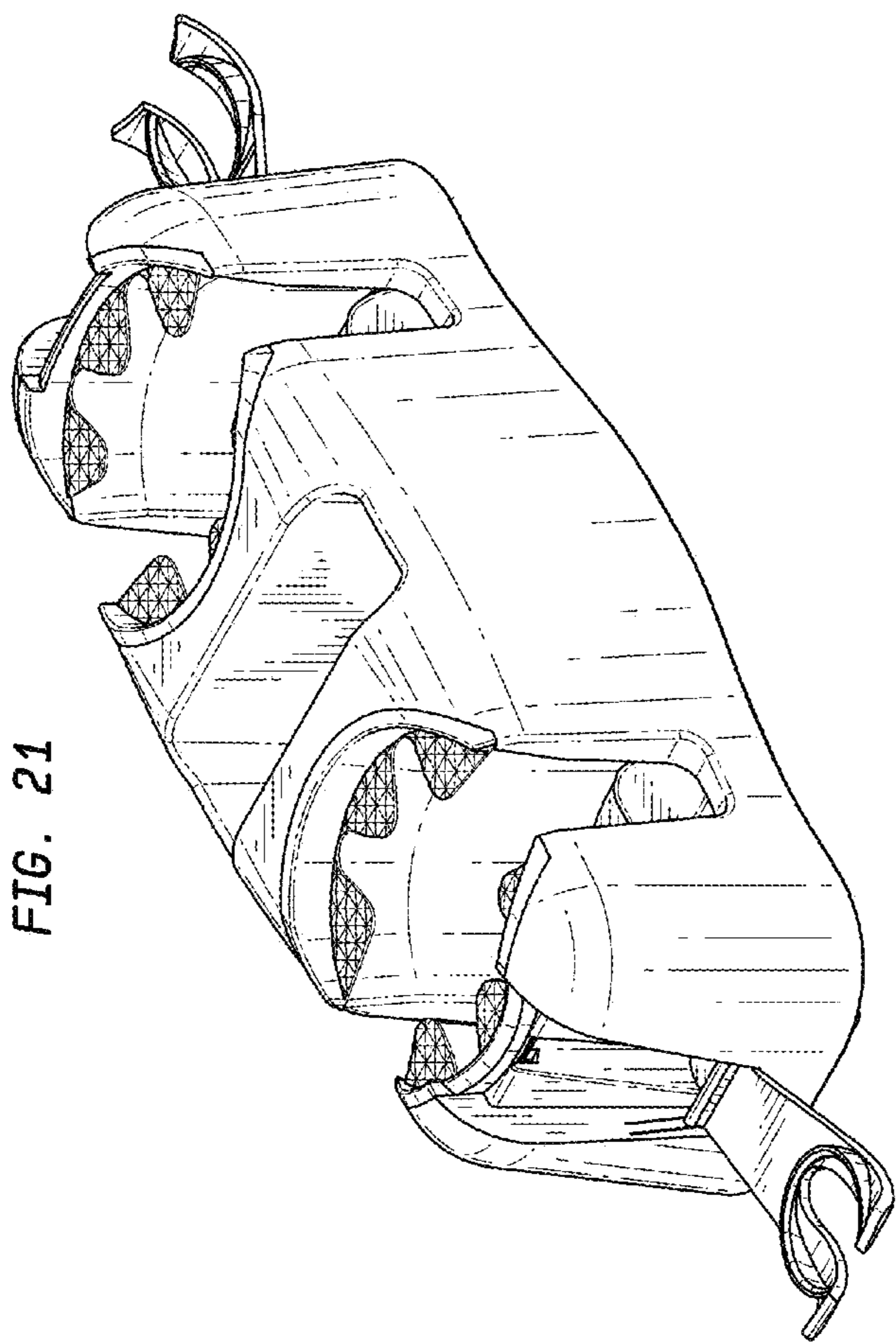


FIG. 21

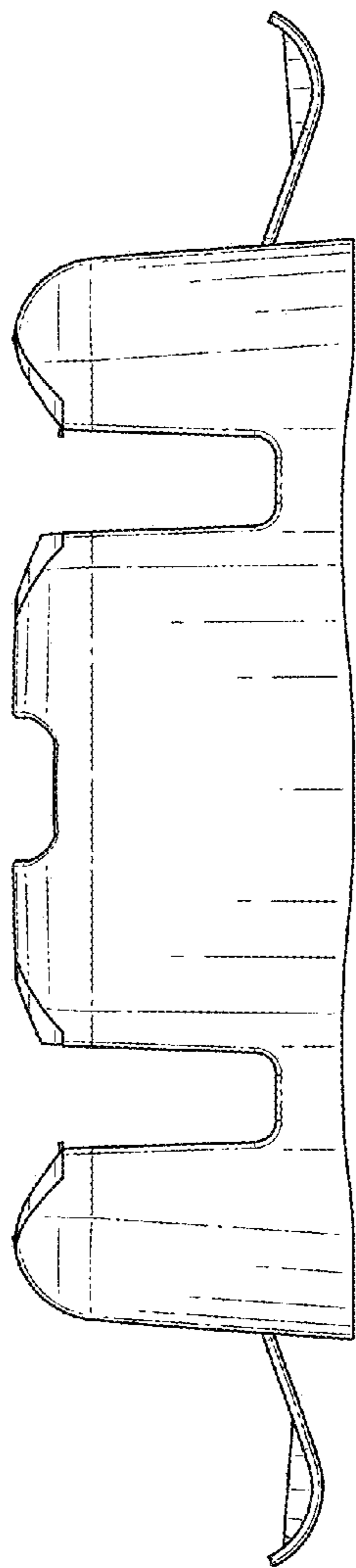


FIG. 22

FIG. 23

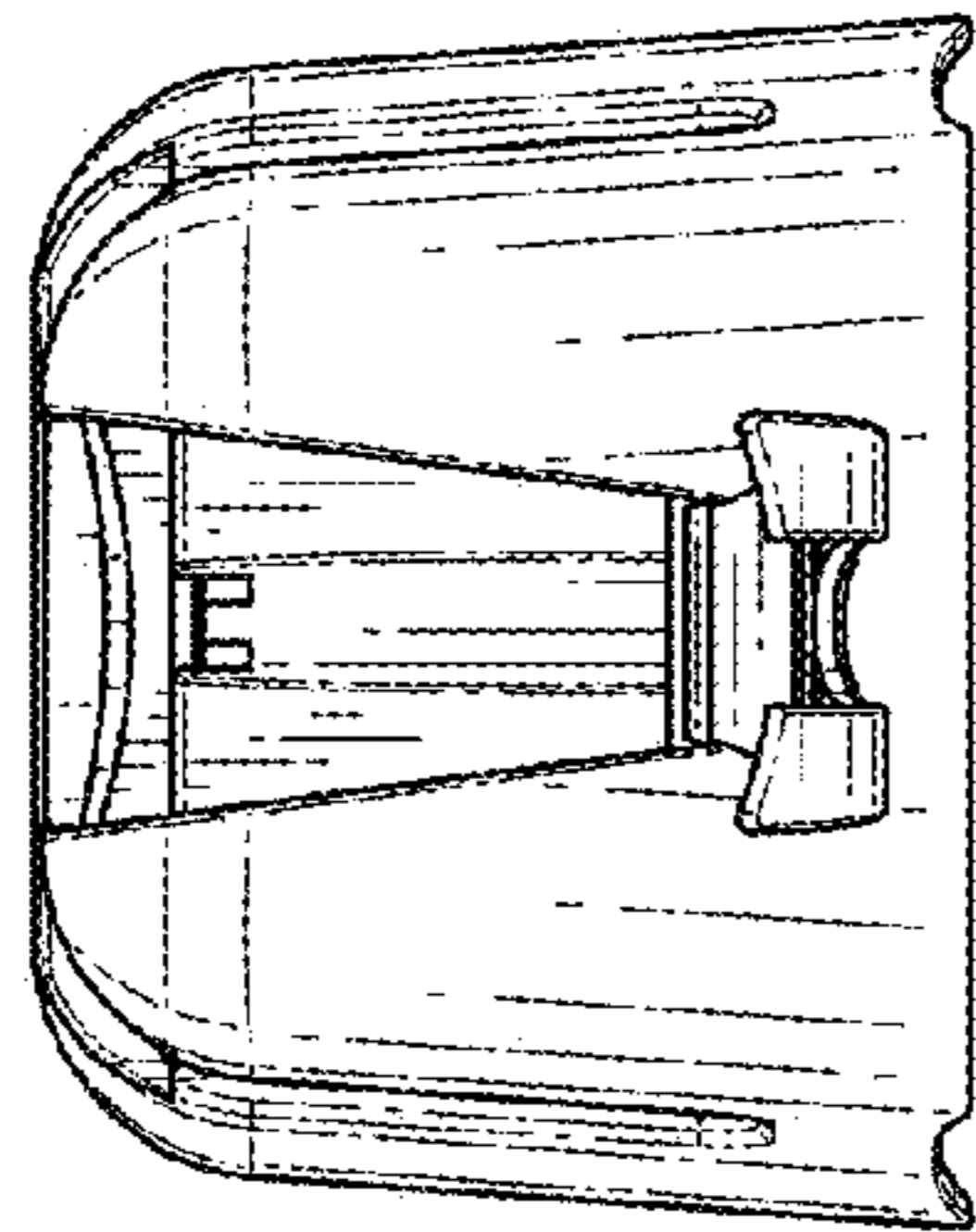


FIG. 24

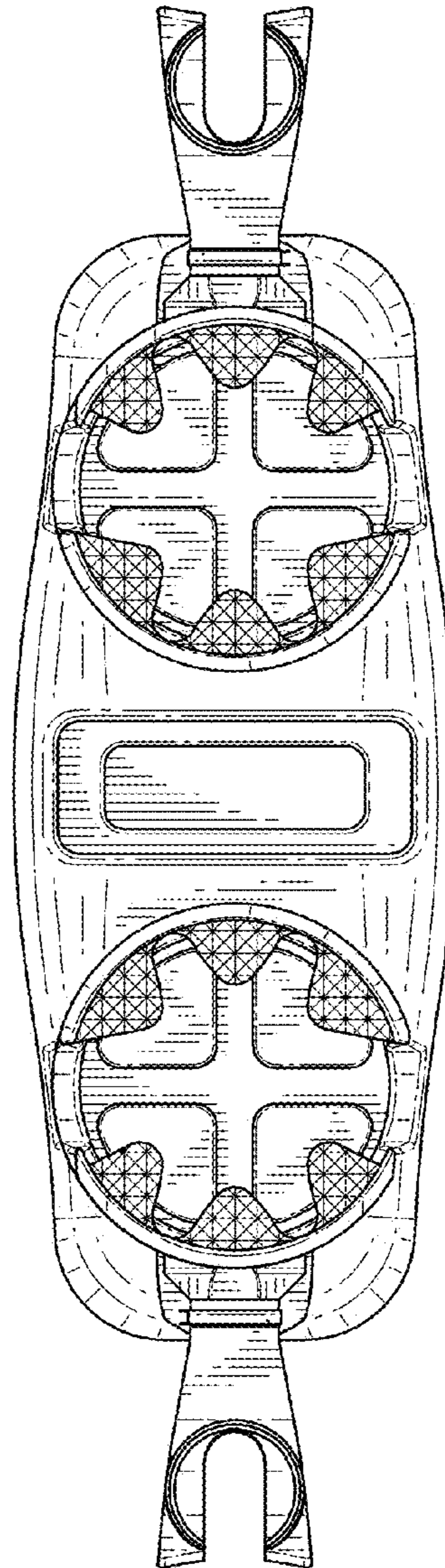


FIG. 25

