



US00D721925S

(12) **United States Design Patent**  
**Feldman et al.**

(10) **Patent No.:** **US D721,925 S**  
(45) **Date of Patent:** **\*\* Feb. 3, 2015**

(54) **BEVERAGE HOLDER**  
(71) Applicants: **Brenda Lee Feldman**, Austin, TX (US);  
**Daniel Francis Caputo**, Cedar Park, TX  
(US); **Roy P. Prosis**, Cedar Park, TX  
(US)  
(72) Inventors: **Brenda Lee Feldman**, Austin, TX (US);  
**Daniel Francis Caputo**, Cedar Park, TX  
(US); **Roy P. Prosis**, Cedar Park, TX  
(US)

4,986,435 A \* 1/1991 Wright ..... 220/737  
5,052,575 A \* 10/1991 Ravreby ..... 220/278  
5,150,811 A \* 9/1992 Kelston ..... 220/710  
5,169,026 A \* 12/1992 Patterson ..... 220/740  
5,292,021 A 3/1994 Lyon  
5,950,857 A \* 9/1999 Rosen ..... 220/23.91  
7,086,556 B1 \* 8/2006 Trulove-Cranor ..... 220/740  
D639,118 S \* 6/2011 Huang ..... D7/624.2  
D695,574 S \* 12/2013 Min et al. .... D7/622

(73) Assignee: **Inchbug LLC.**, Austin, TX (US)

(\*\*) Term: **14 Years**

(21) Appl. No.: **29/462,022**

(22) Filed: **Jul. 30, 2013**

(51) **LOC (10) Cl.** ..... **09-01**

(52) **U.S. Cl.**  
USPC ..... **D7/623**

(58) **Field of Classification Search**  
CPC ..... A47G 23/0258  
USPC ..... D7/619.1-625, 606, 604, 533, 534, 536,  
D7/396.2; 248/311.2; 215/393-396;  
211/74; 294/33, 32, 27.1; 220/278,  
220/709, 737-741, 835, 710.5  
See application file for complete search history.

(56) **References Cited**

**U.S. PATENT DOCUMENTS**

D149,866 S 6/1948 Fry  
4,724,976 A 2/1988 Lee

**OTHER PUBLICATIONS**

Design U.S. Appl. No. 14/339,713, filed Jul. 24, 2014.

\* cited by examiner

*Primary Examiner* — Terry Wallace

(74) *Attorney, Agent, or Firm* — Abel Law Group, LLP

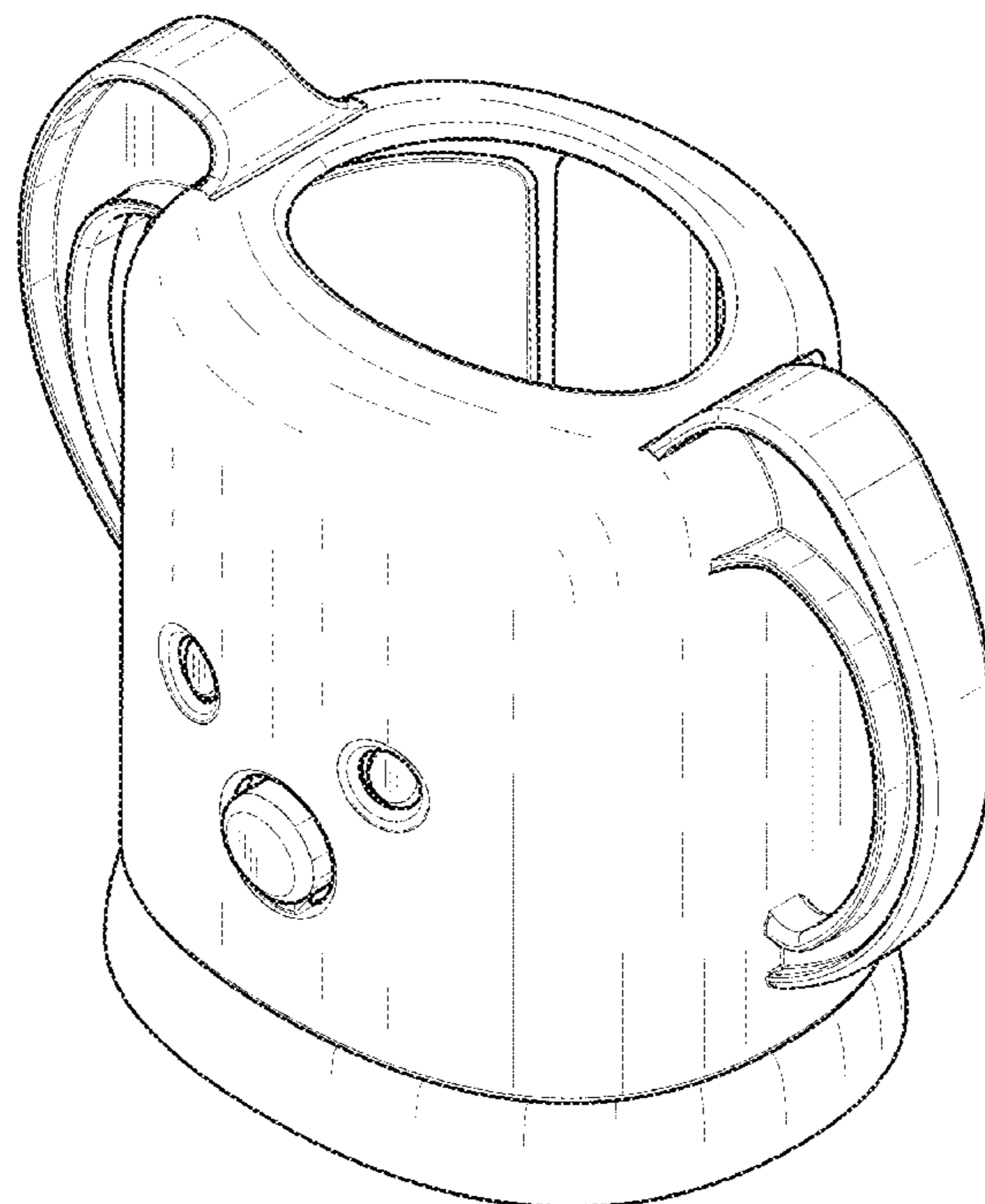
(57) **CLAIM**

The ornamental design for a beverage holder, as shown and described.

**DESCRIPTION**

FIG. 1 is a front isometric view of an embodiment of a beverage holder showing our new design.  
FIG. 2 is a front view thereof.  
FIG. 3 is a side view thereof; and,  
FIG. 4 is a top view thereof.

**1 Claim, 4 Drawing Sheets**



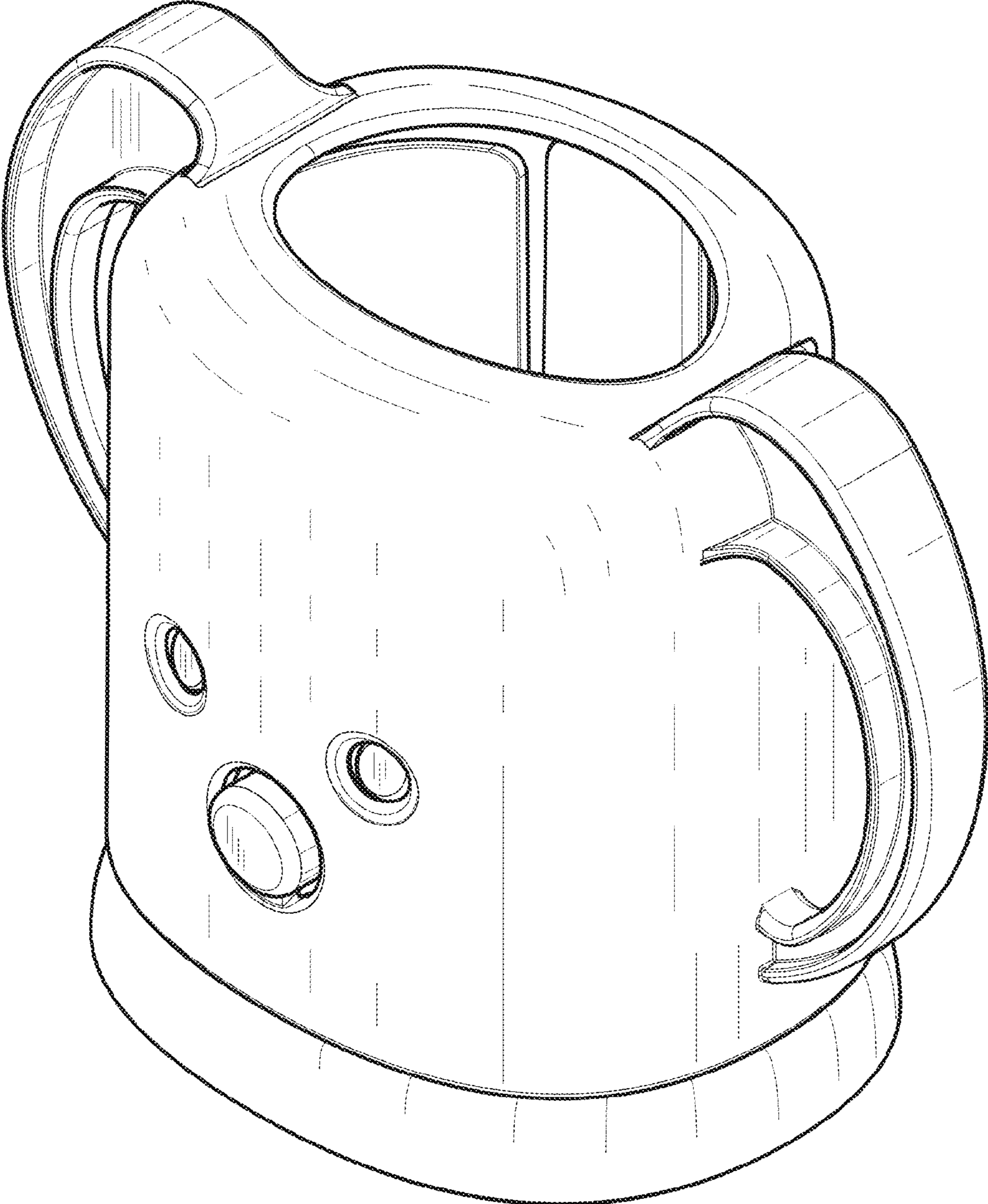


FIG. 1

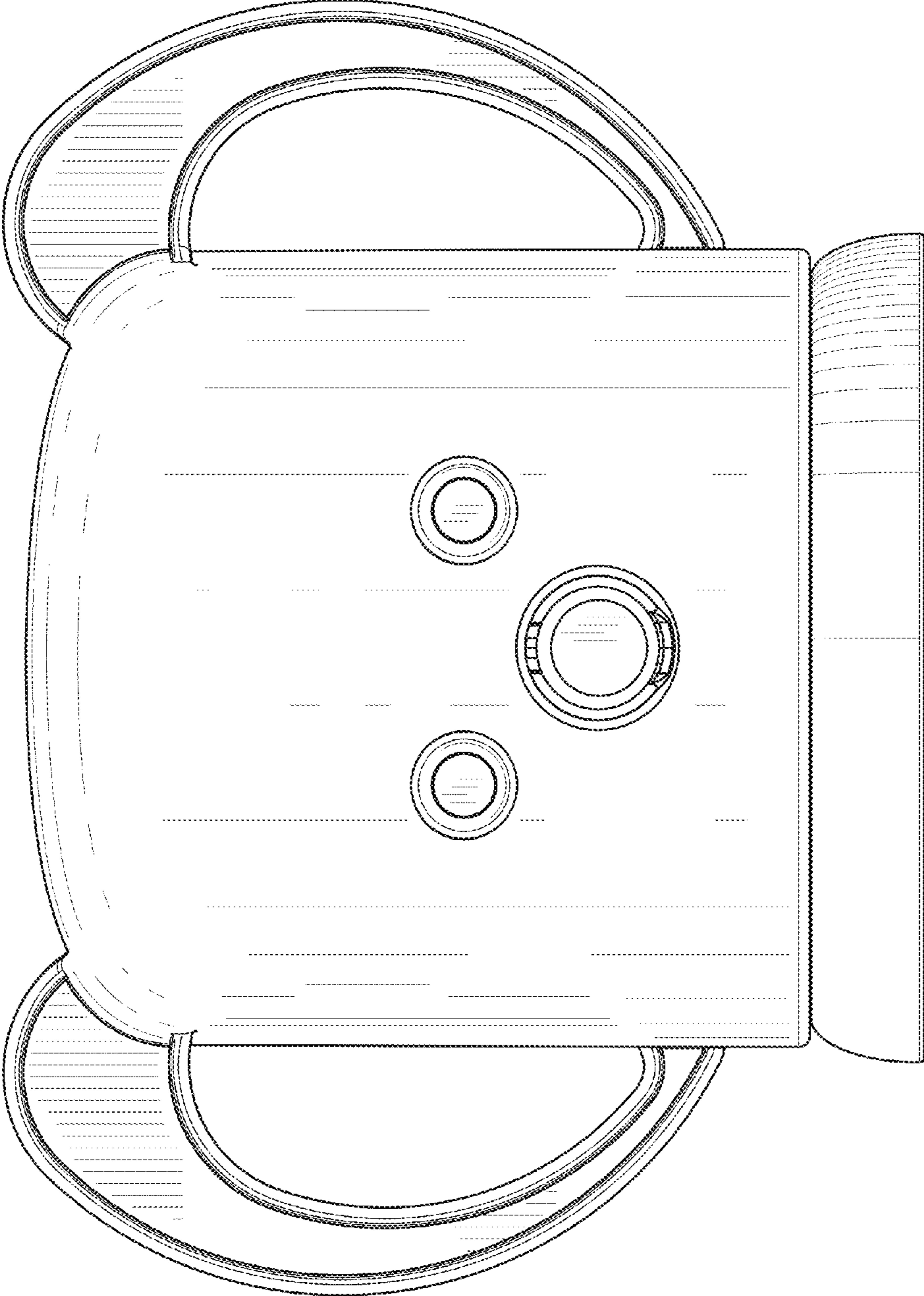


FIG. 2

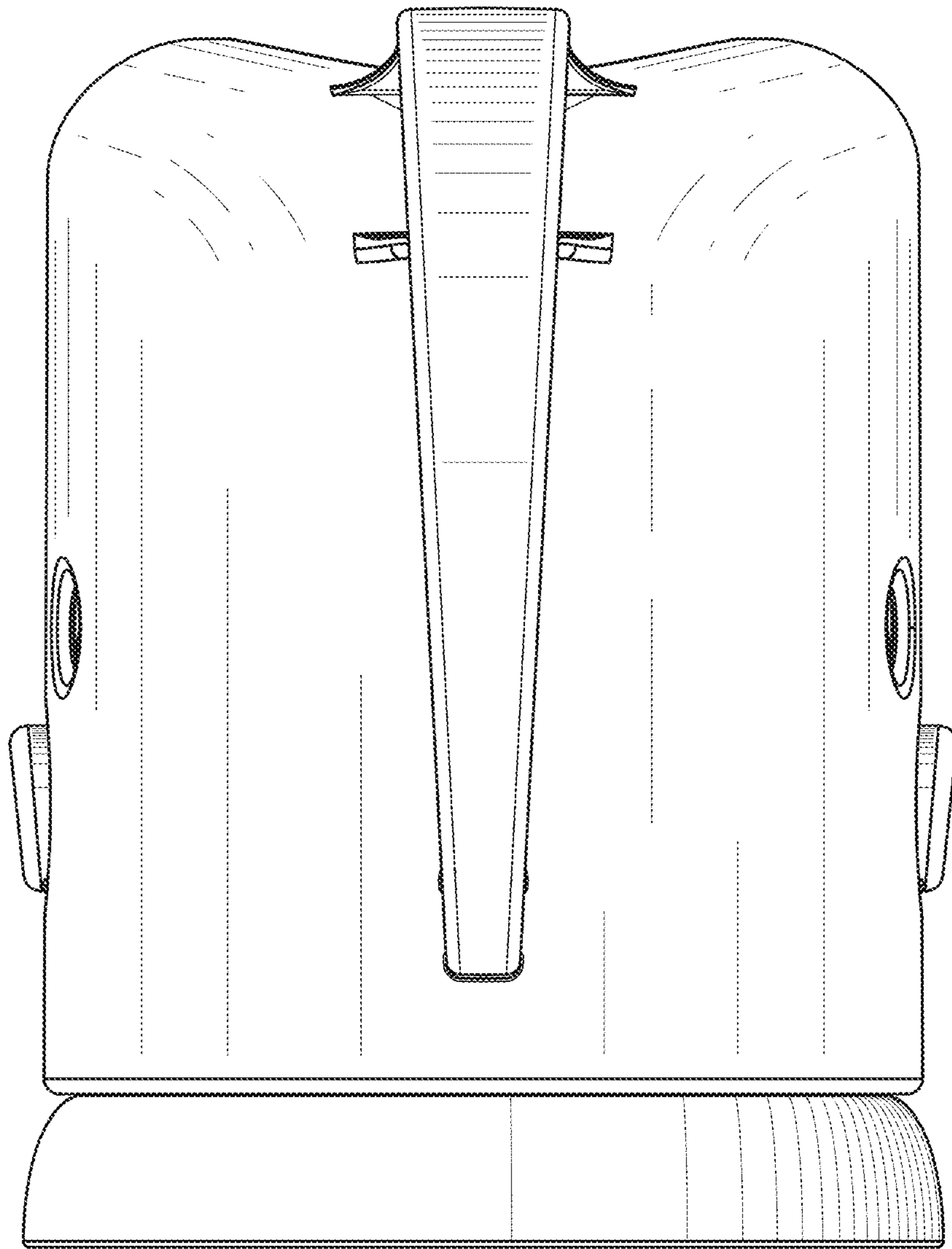


FIG. 3

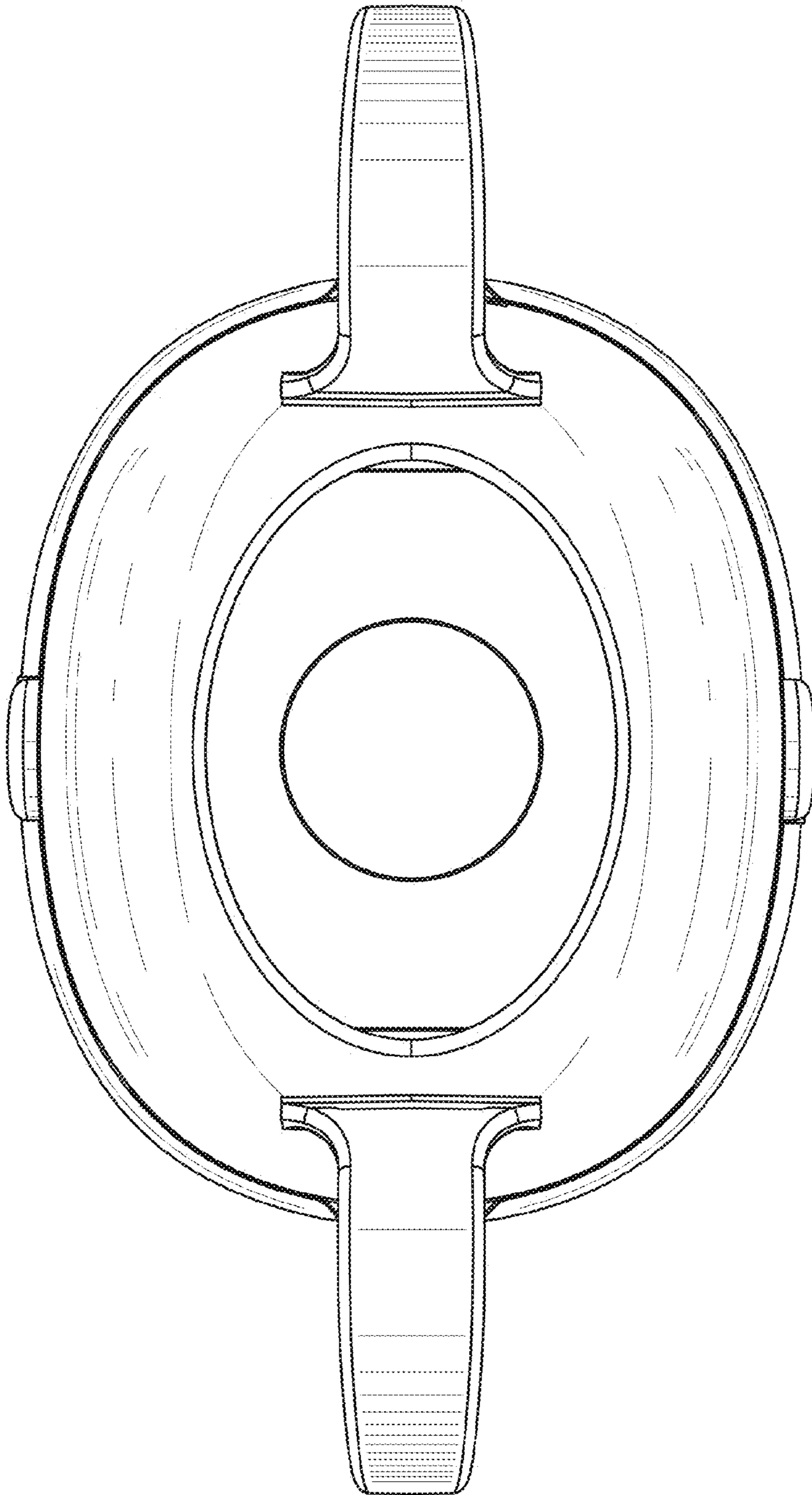


FIG. 4