

US00D721924S

(12) **United States Design Patent**  
**Trafton**

(10) **Patent No.:** **US D721,924 S**

(45) **Date of Patent:** **\*\* Feb. 3, 2015**

(54) **MUG WITH INTEGRATED BOTTLE OPENER**

(71) Applicant: **Brookstone Purchasing, Inc.**,  
Merrimack, NH (US)

(72) Inventor: **Spencer W. Trafton**, Wilton, NH (US)

(73) Assignee: **Brookstone Purchasing, Inc.**,  
Merrimack, NH (US)

(\*\*) Term: **14 Years**

(21) Appl. No.: **29/476,943**

(22) Filed: **Dec. 18, 2013**

(51) **LOC (10) Cl.** ..... **07-01**

(52) **U.S. Cl.**  
USPC ..... **D7/536; D7/507; D8/34**

(58) **Field of Classification Search**  
CPC ..... B65D 1/04; B65D 1/06  
USPC ..... D7/513–523, 507, 509–511, 566, 604,  
D7/605, 606, 613, 615, 301, 304, 305,  
D7/536; D8/17, 18, 19, 33–43;  
229/400–405; 81/3.07, 3.08, 3.15,  
81/3.25, 3.31, 3.32, 3.27; 30/411, 406  
See application file for complete search history.

(56) **References Cited**

**U.S. PATENT DOCUMENTS**

1,755,086	A *	4/1930	Tapp	81/3.09
1,810,630	A *	6/1931	Tapp	81/3.09
2,142,811	A *	1/1939	Agonis	215/384
D158,993	S *	6/1950	Mondy	D8/34
2,745,301	A *	5/1956	Grunwald	81/3.15
D281,572	S *	12/1985	Gabriel et al.	D8/40
D298,901	S *	12/1988	Shadyac	D7/536
D303,345	S *	9/1989	Sawatsky et al.	D8/40
D351,314	S *	10/1994	Sokolski et al.	D7/536
D367,413	S *	2/1996	Ballin	D8/34
5,531,353	A *	7/1996	Ward et al.	220/729
D373,290	S *	9/1996	Ballin	D7/536
D375,869	S *	11/1996	Canela	D7/507

D440,134	S *	4/2001	Brix-Hansen	D8/33
D442,449	S *	5/2001	McQuillan	D8/40
6,318,573	B1 *	11/2001	Montero	215/6
D462,000	S *	8/2002	Hightower	D8/40
D506,910	S	7/2005	Tham-itthisak	
D552,930	S *	10/2007	Huffman et al.	D7/523
D557,574	S *	12/2007	Hein	D8/18
D559,629	S	1/2008	Gifford, Jr.	
7,343,834	B2	3/2008	Howlett et al.	
D568,127	S *	5/2008	Oas	D8/34
7,404,345	B1	7/2008	Dipprey	
D601,862	S *	10/2009	Welch	D7/624.2
D603,237	S *	11/2009	Corredor-Londono	D8/38
7,685,908	B1	3/2010	Sebastian et al.	
D621,658	S *	8/2010	Rice	D7/509
D653,512	S *	2/2012	Frazier et al.	D8/40
D659,296	S *	5/2012	Anderson	D30/129

(Continued)

*Primary Examiner* — Marianne Pandozzi

*Assistant Examiner* — Jae Liang

(74) *Attorney, Agent, or Firm* — Grossman Tucker Perreault & Pflieger, PLLC

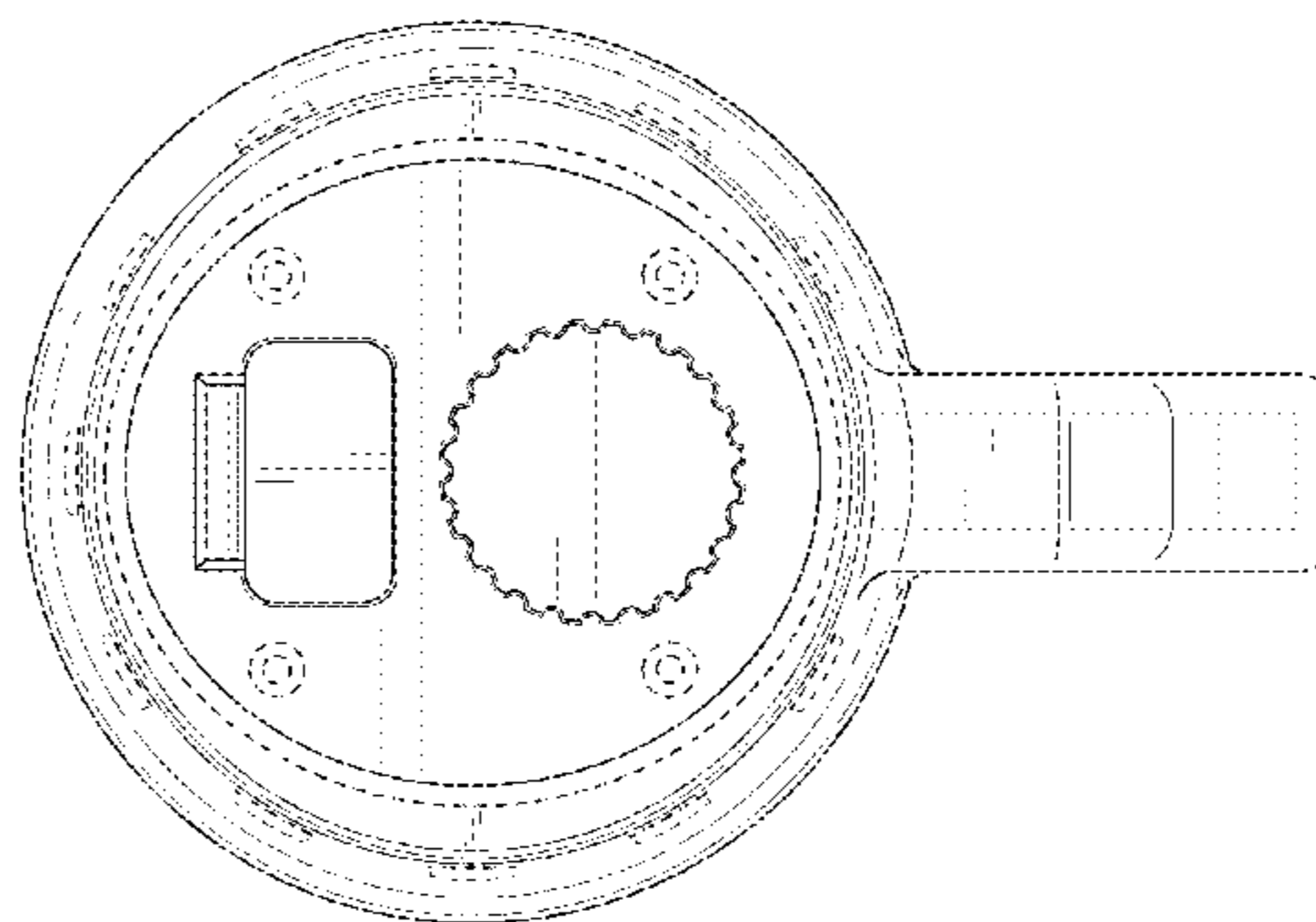
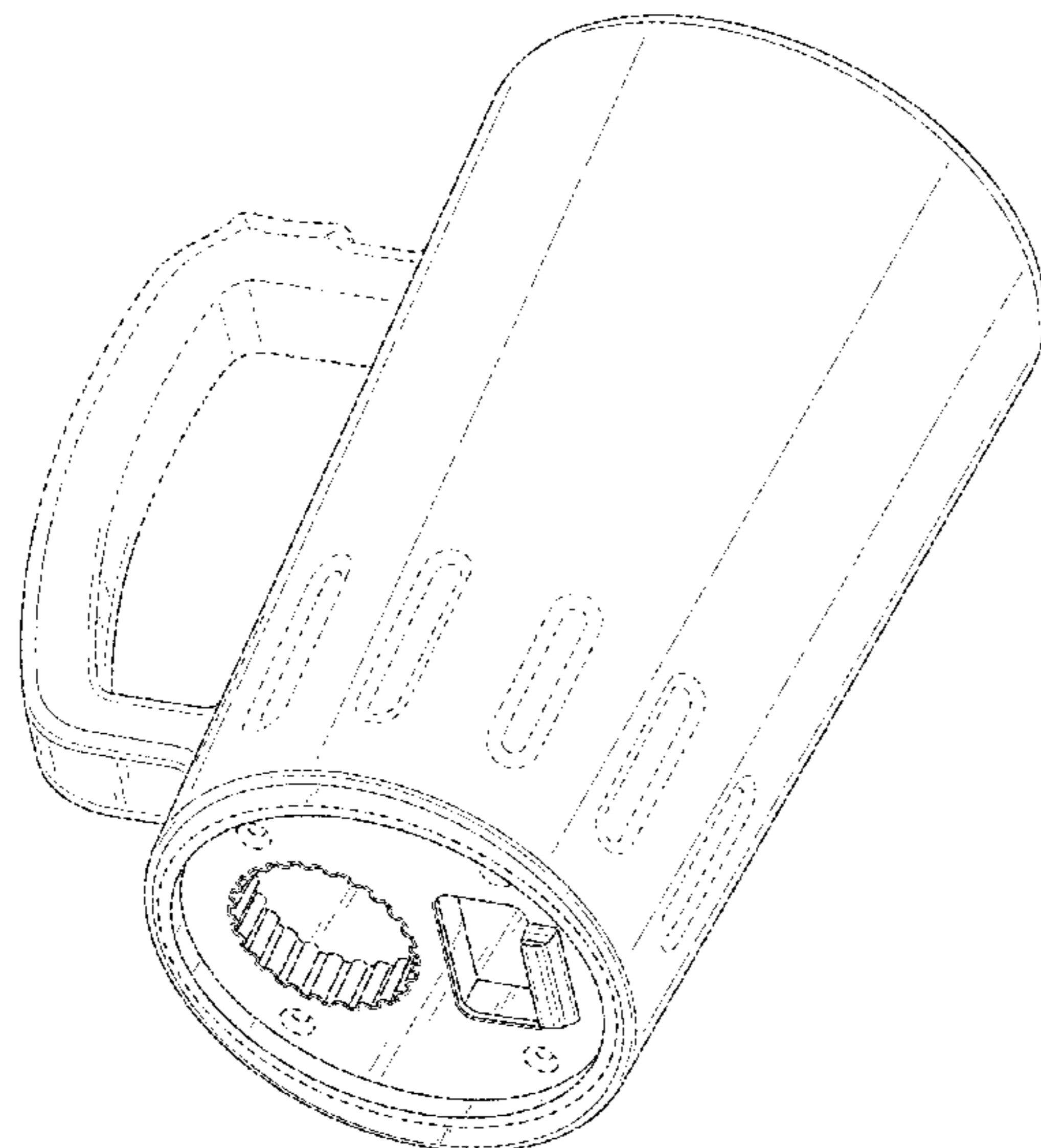
(57) **CLAIM**

The ornamental design for a mug with integrated bottle opener, as shown and described.

**DESCRIPTION**

FIG. 1 is a bottom perspective view of a mug with integrated bottle opener in accordance with the present invention; FIG. 2 is another bottom perspective view; FIG. 3 is a left side view thereof; FIG. 4 is a right side view thereof; FIG. 5 is a rear view thereof; FIG. 6 is a front view thereof; FIG. 7 is a top view thereof; and, FIG. 8 is a bottom view thereof. The broken lines are included for the purpose of illustrating the unclaimed portions of the article and form no part of the claim.

**1 Claim, 8 Drawing Sheets**



(56)

**References Cited**

U.S. PATENT DOCUMENTS

8,245,600 B2 8/2012 Beard  
D675,880 S \* 2/2013 Welch ..... D7/607  
D679,971 S \* 4/2013 Weyer et al. .... D8/40  
D683,772 S \* 6/2013 Wang ..... D15/139  
D684,011 S \* 6/2013 Fallas ..... D7/513

D686,475 S \* 7/2013 Wu ..... D8/34  
D706,090 S \* 6/2014 Spector ..... D7/682  
D712,223 S \* 9/2014 Romley ..... D8/38  
D714,117 S \* 9/2014 Smidt ..... D8/29  
2002/0175169 A1 11/2002 Tham-itthisak  
2006/0016294 A1 1/2006 McGrath et al.  
2007/0012140 A1\* 1/2007 Howlett et al. .... 81/3.09  
2014/0166672 A1\* 6/2014 Stroucken ..... 220/592.01

\* cited by examiner

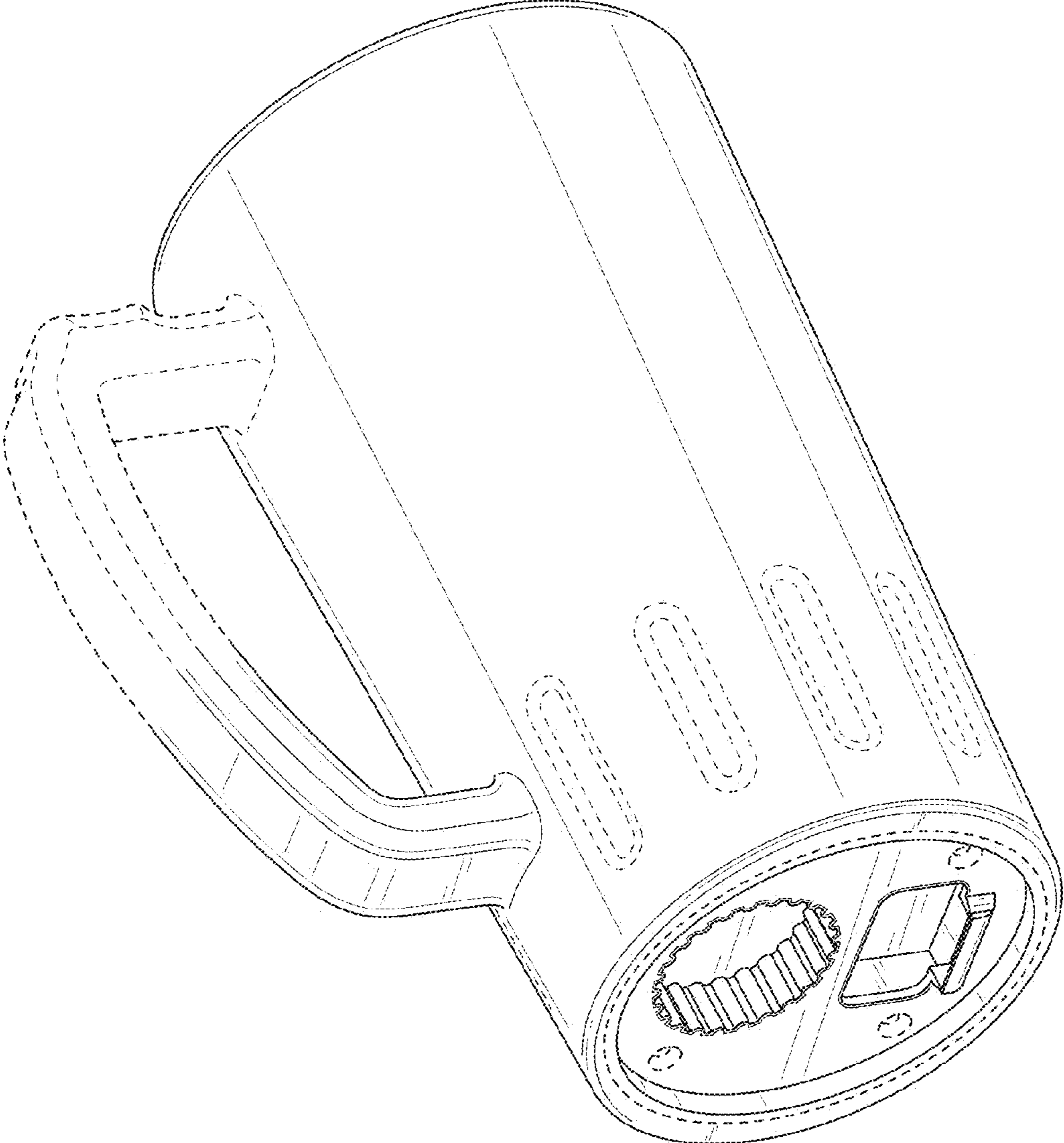


FIG. 1

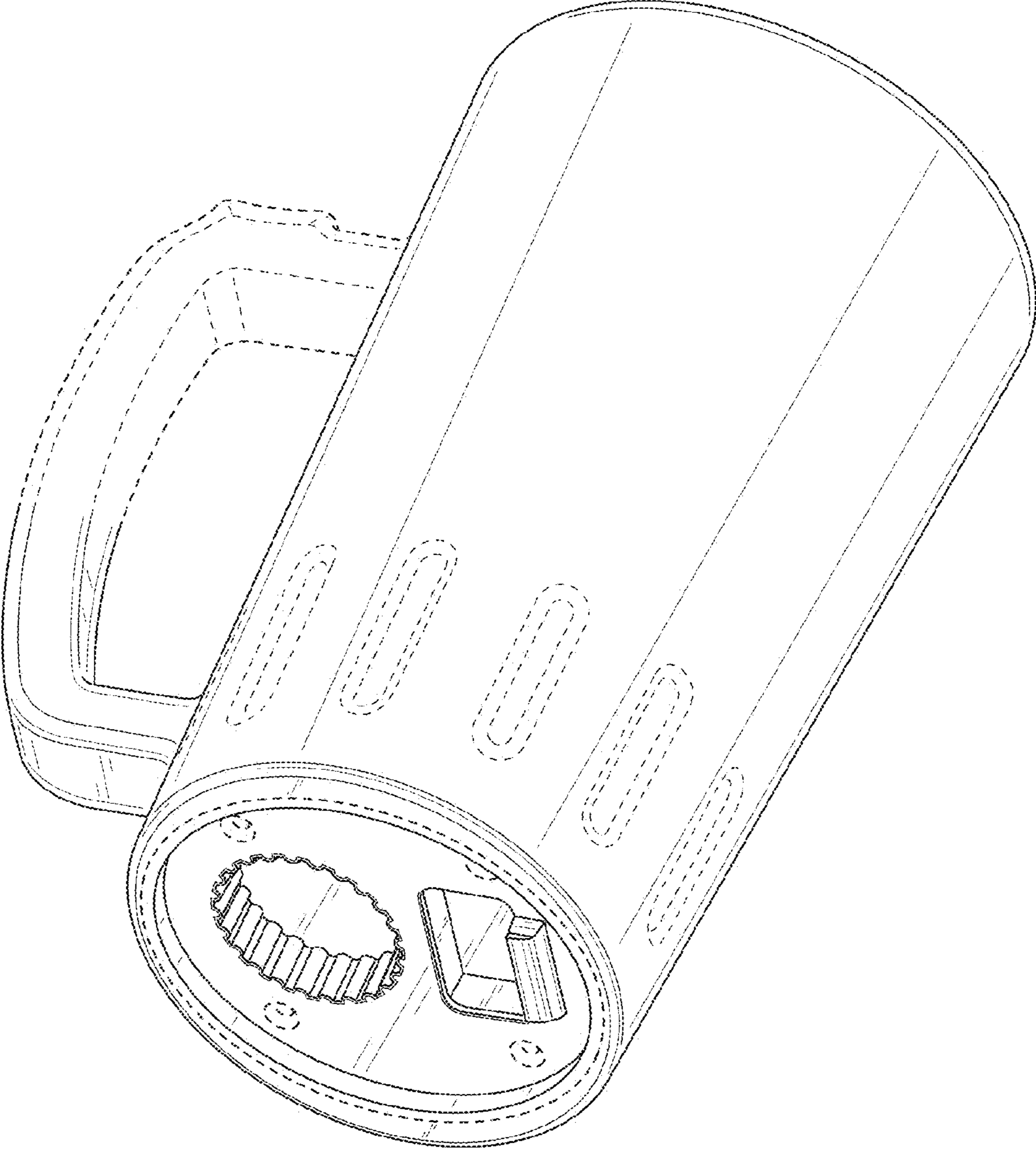


FIG. 2

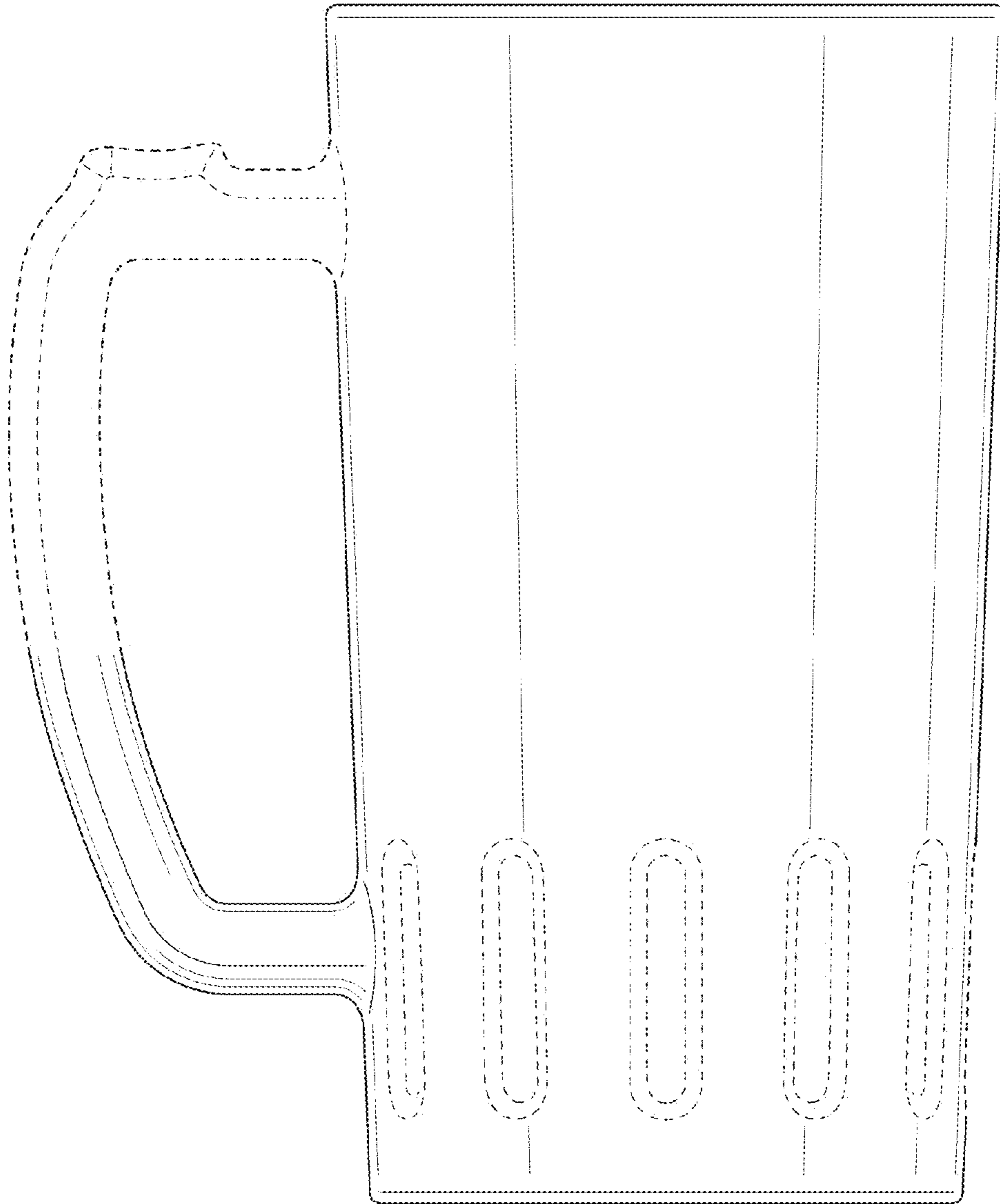


FIG. 3

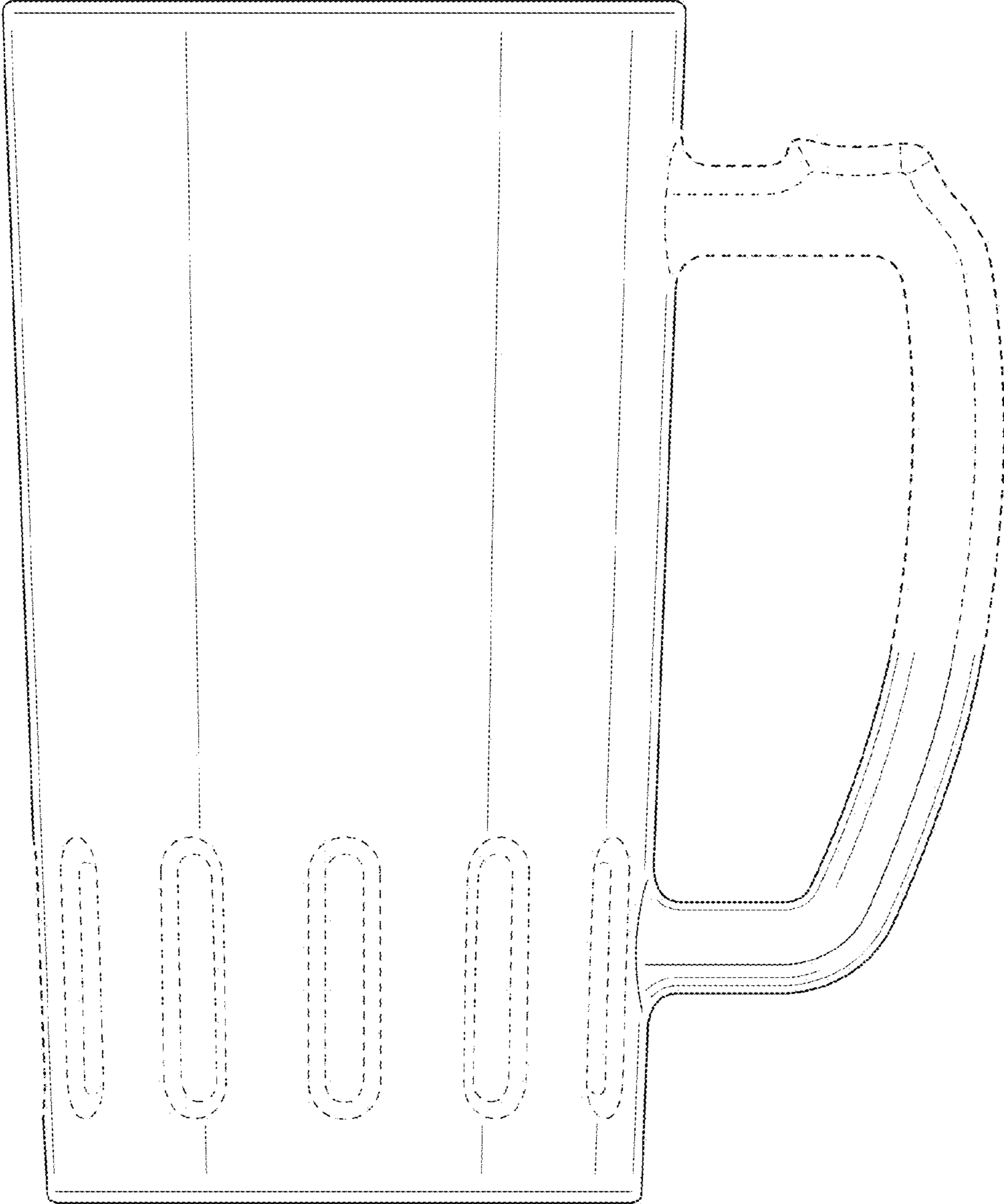


FIG. 4

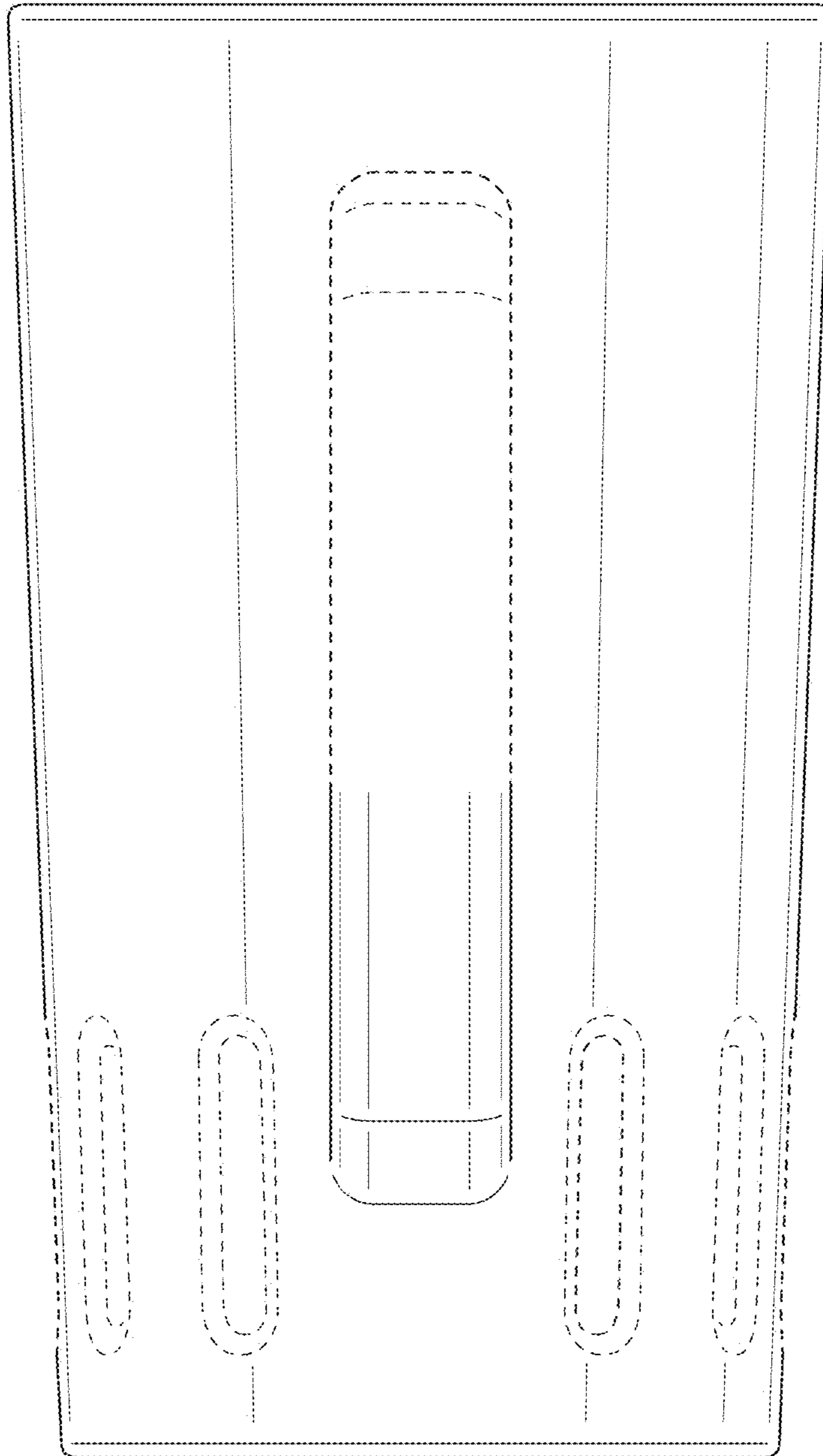


FIG. 5

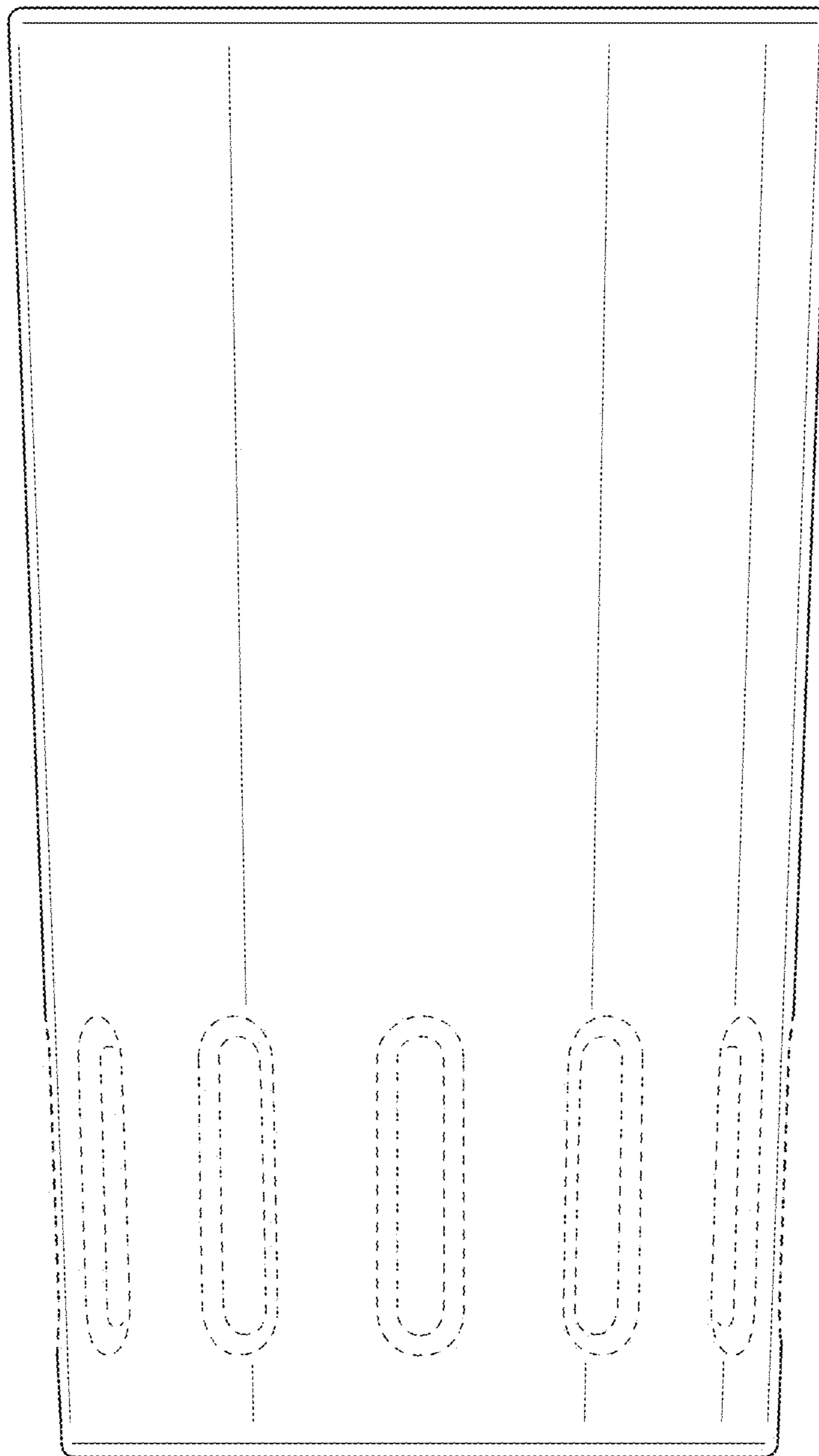


FIG. 6



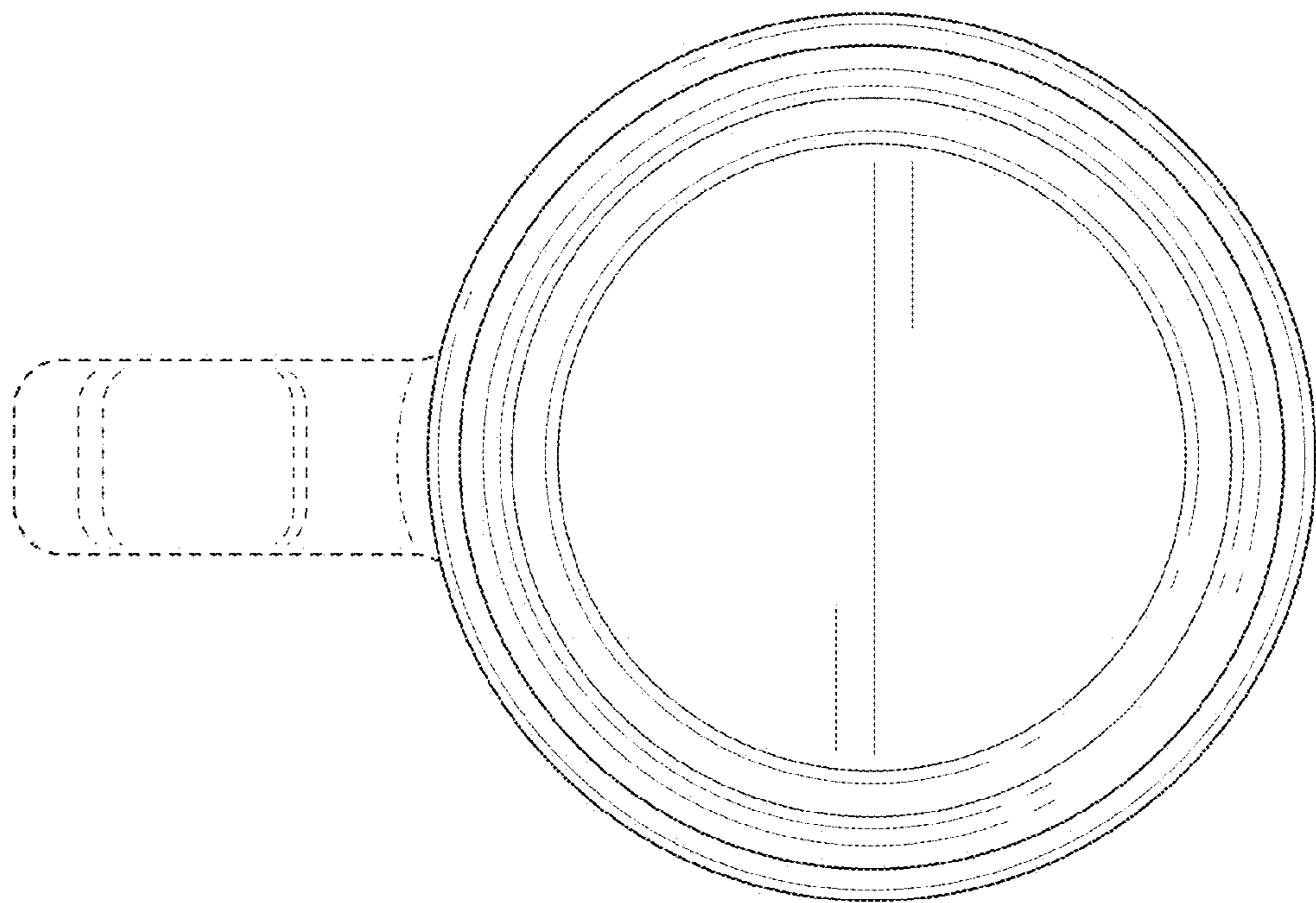


FIG. 7

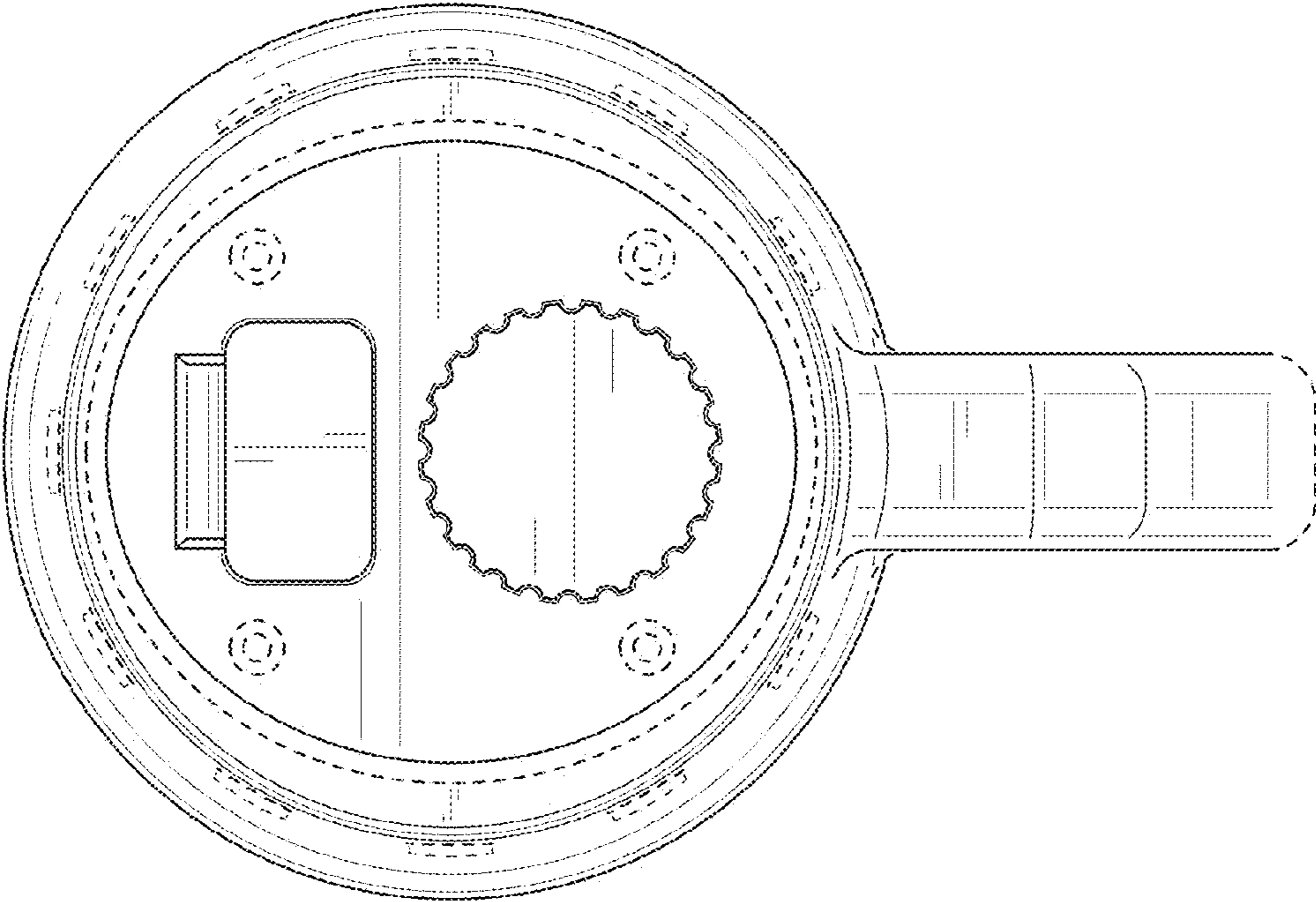


FIG. 8