



US00D721923S

(12) **United States Design Patent**
Reetz et al.

(10) **Patent No.:** **US D721,923 S**
(45) **Date of Patent:** **** Feb. 3, 2015**

(54) **BEVERAGE MUG**

(71) Applicant: **Target Brands, Inc.**, Minneapolis, MN (US)

(72) Inventors: **Paul D. Reetz**, Burnsville, MN (US);
Anna Maria Bofinger, Shoreview, MN (US)

(73) Assignee: **Target Brands, Inc.**, Minneapolis, MN (US)

(**) Term: **14 Years**

(21) Appl. No.: **29/465,235**

(22) Filed: **Aug. 26, 2013**

(51) **LOC (10) Cl.** **07-01**

(52) **U.S. Cl.**
USPC **D7/515**; D2/911

(58) **Field of Classification Search**
USPC D7/606, 624, 514, 515, 509, 507;
D2/970, 910, 911; 220/571; D9/631,
D9/617; 215/392, 393; D11/129
See application file for complete search history.

(56) **References Cited**

U.S. PATENT DOCUMENTS

437,907	A *	10/1890	Saunders	36/4
1,655,652	A *	1/1928	Kemper	36/4
D110,245	S *	6/1938	Garry et al.	D9/631
2,317,554	A *	4/1943	Risch	206/446
D223,111	S	3/1972	Feuer		
3,657,757	A *	4/1972	Vilder	12/146 C
D254,233	S *	2/1980	Dolan	D9/631
D264,416	S *	5/1982	Urda et al.	D7/515
D264,417	S *	5/1982	Urda et al.	D7/515
D282,891	S *	3/1986	Satterfield	D7/515
D349,217	S *	8/1994	Spencer	D7/625
D370,114	S *	5/1996	Vance et al.	D2/910
D446,155	S *	8/2001	Simpson	D11/129
D567,024	S *	4/2008	Yeh	D7/515

D635,346	S *	4/2011	Lonigan	D2/970
D636,984	S *	5/2011	Lonigan	D2/970
D647,370	S	10/2011	Van Dijk et al.		
D655,572	S *	3/2012	Evans	D7/515
D677,988	S *	3/2013	Eubank	D7/515
D707,435	S *	6/2014	Ng	D2/970

OTHER PUBLICATIONS

“Junior Firefighter Boot Mug”, printed from www.emtcatalog.com/product_info.php?products_id=1137, available at least as early as Jun. 11, 2013 (2 pages).

“Leprechaun Body Feet Handpainted Ceramic Coffee Mug Cup”, printed from www.popscreen.com/p/MTMyNDk2ODQ4/Leprechaun-Body-Feet-Handpainted-Ceramic-Coffee-Mug-Cup-eBay, available at least as early as Jul. 2, 2013 (2 pages).

“Santa’s Boot Mug”, printed from www.personal.psu.edu/rlt5047/Pattyspoolpals.htm, available at least as early as Jun. 11, 2013 (2 pages).

(Continued)

Primary Examiner — Marianne Pandozzi

(74) *Attorney, Agent, or Firm* — JoAnn M. Seaton; Griffiths & Seaton PLLC

(57) **CLAIM**

The ornamental design for a beverage mug, as shown and described.

DESCRIPTION

FIG. 1 is a top front perspective view of a beverage mug showing our new design;

FIG. 2 is a bottom, front perspective view thereof;

FIG. 3 is a front view thereof;

FIG. 4 is a rear view thereof;

FIG. 5 is a right side view thereof;

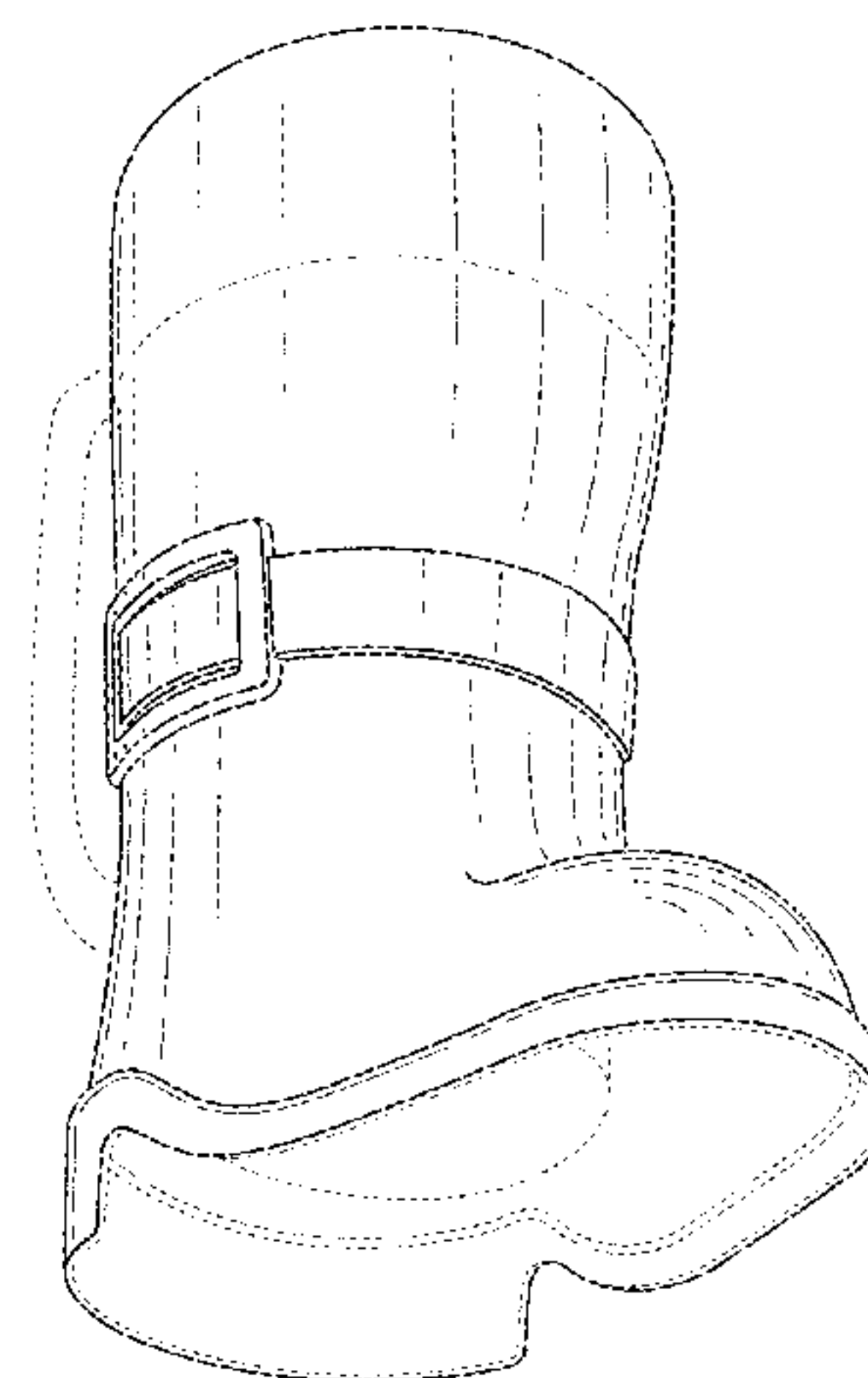
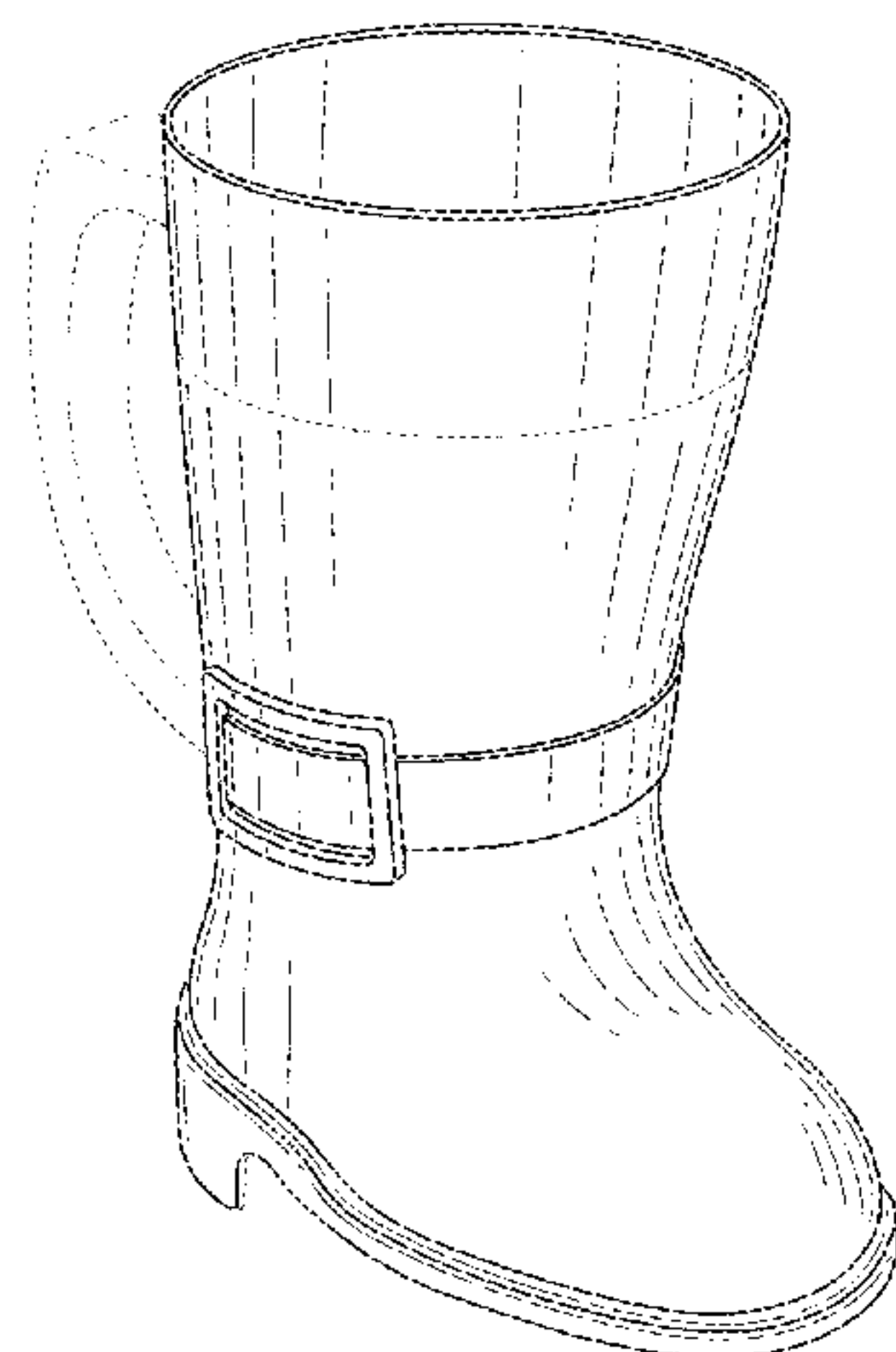
FIG. 6 is a left side view thereof;

FIG. 7 is a top view thereof; and,

FIG. 8 is a bottom view.

The features shown in broken lines are portions of the beverage mug forming no part of the claimed design.

1 Claim, 8 Drawing Sheets



(56)

References Cited

OTHER PUBLICATIONS

Office Action from Canadian Patent Application No. 153,351, mailed May 30, 2014 (2 pages).

“Christmas at Dixie—Dixie Stampede TN Plastic Boot Mug”, printed from www.ebay.com/itm/Christmas-At-Dixie-Dixie-Stampede-TN-Plastic-Boot-Mug-/350050499007, available at least as early as Jun. 11, 2013 (9 pages).

“Plastic Boots Mugs”, printed from <http://sell.lulusoso.com/selling-leads/1595634/plastic-boots-mugs.html>, available at least as early as Jun. 11, 2013 (5 pages).

“Red Christmas Boot Cup with Santa Claus Spoon”, printed from www.modes4u.com/en/kawaii/p10849_red-Christmas-boot-cup-with-Santa-Claus-spoon.html, available at least as early as Jun. 11, 2013 (9 pages).

* cited by examiner

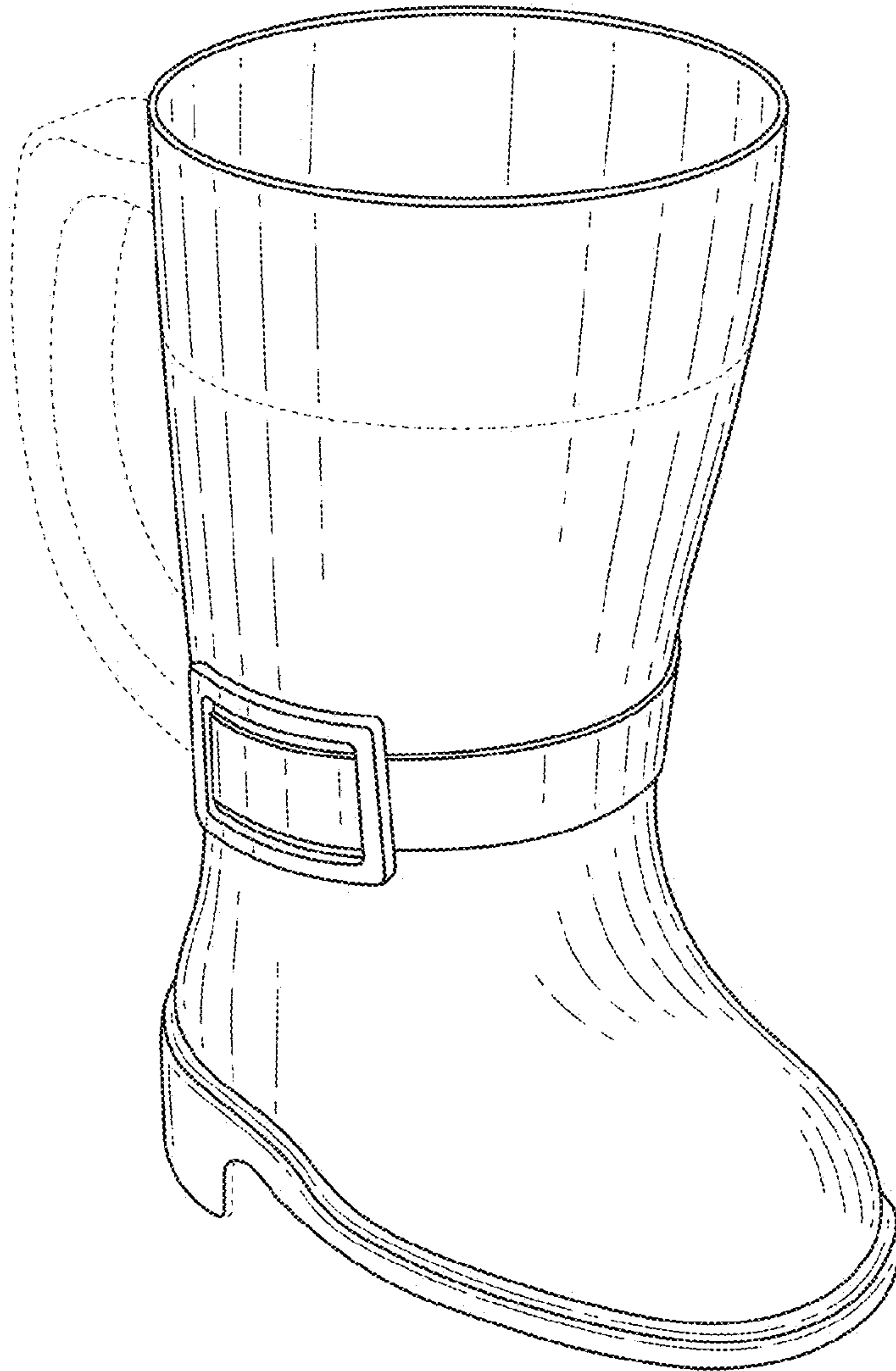


FIG. 1

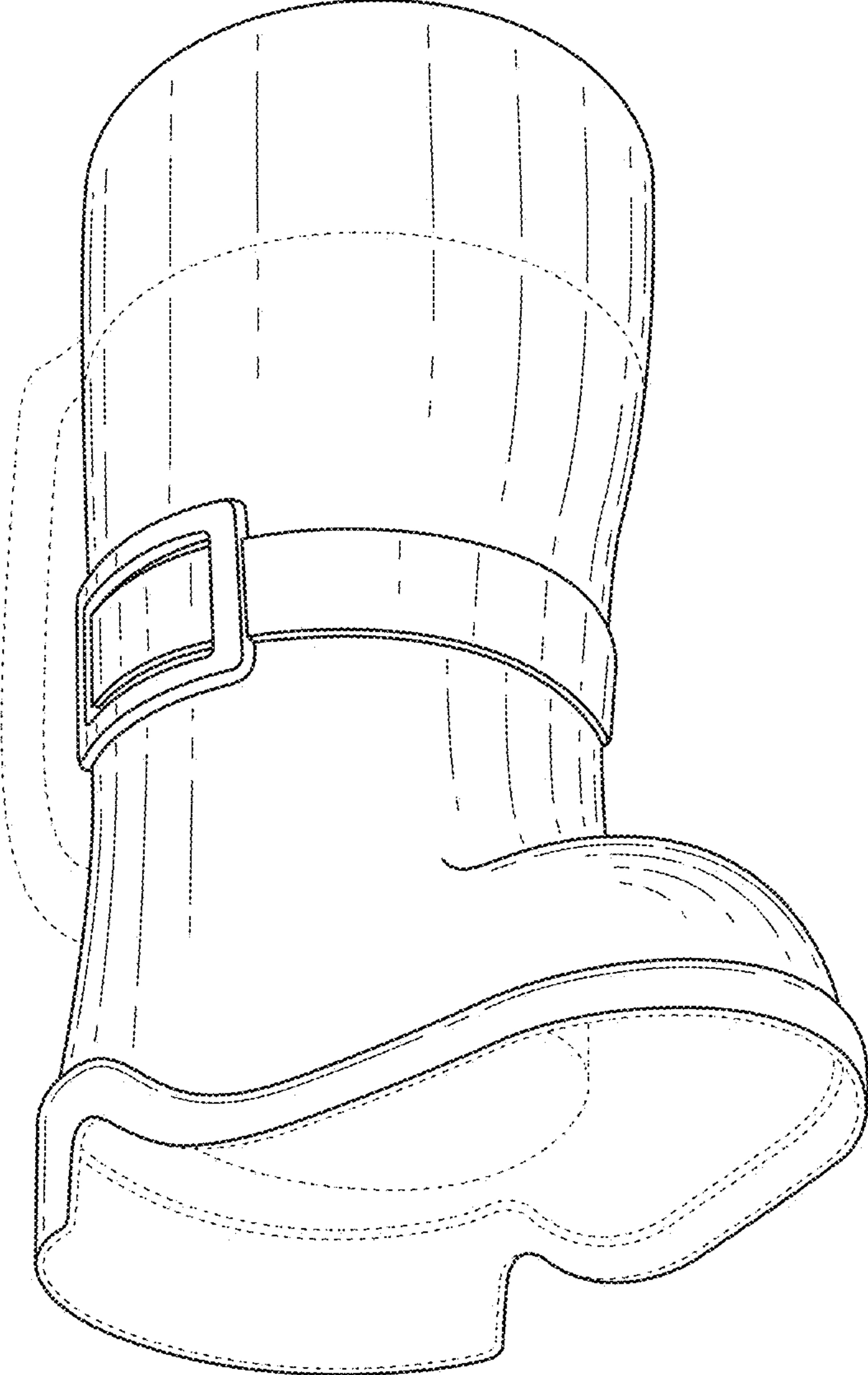


FIG.2

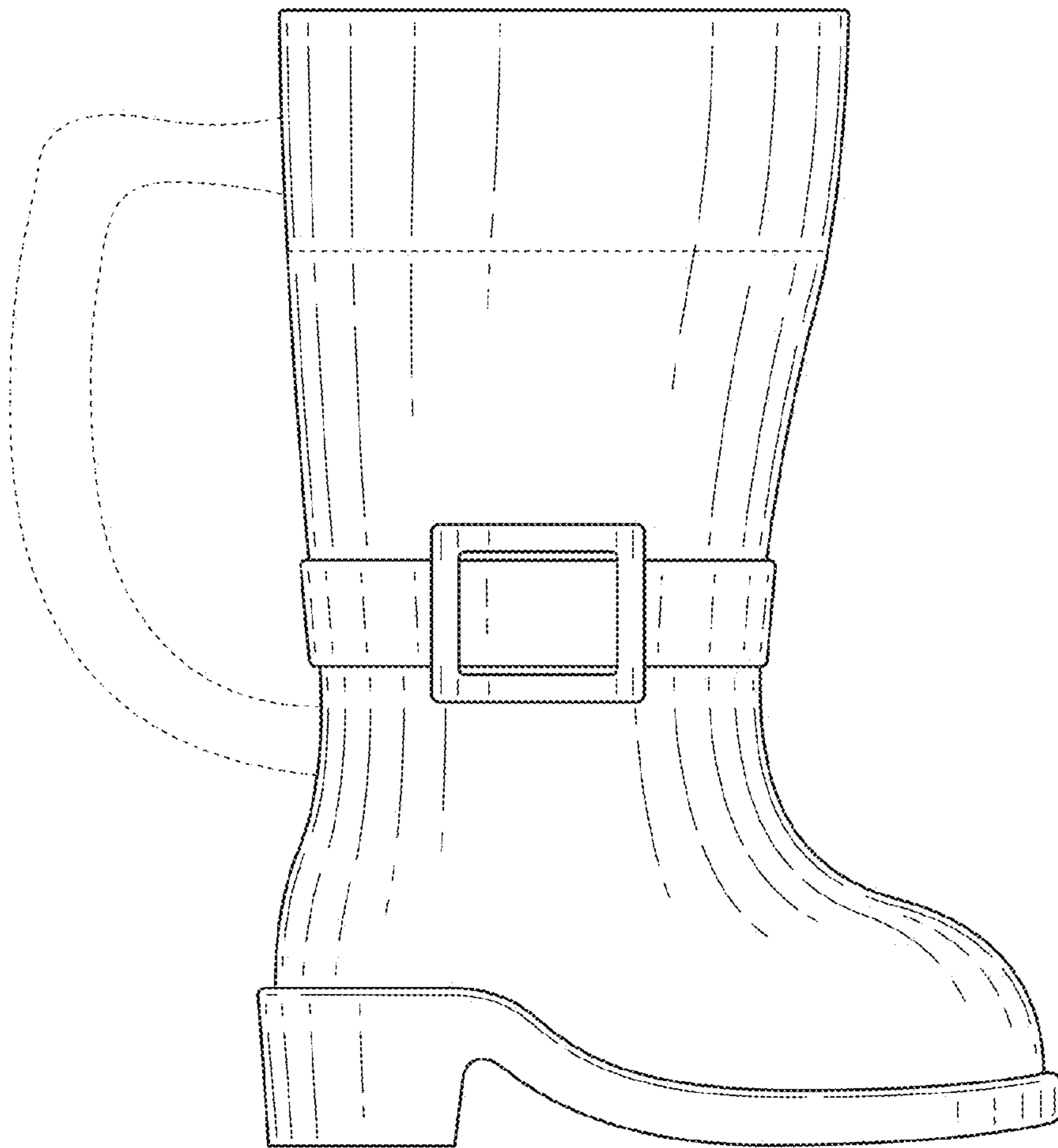


FIG. 3

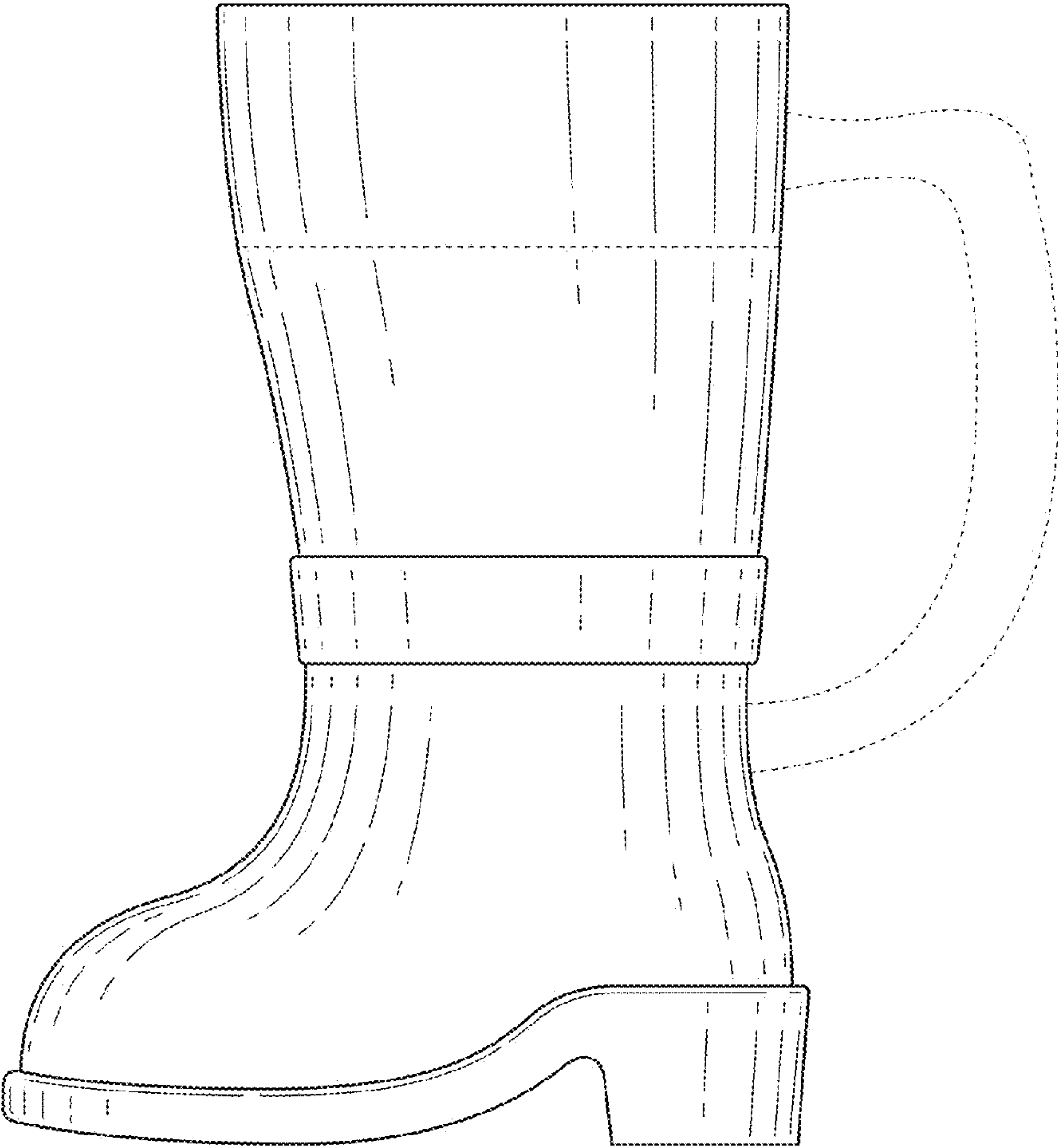


FIG. 4

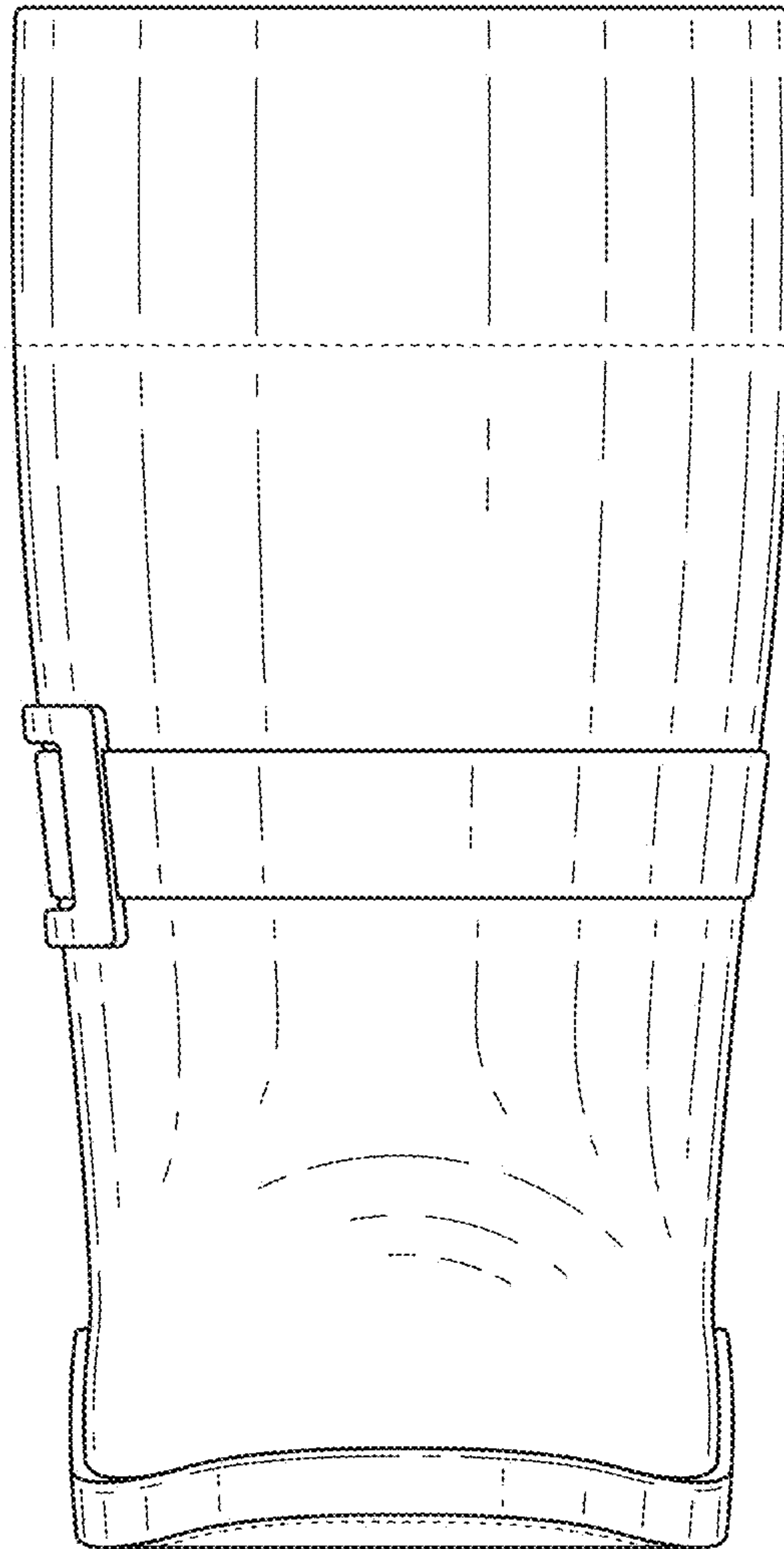


FIG. 5

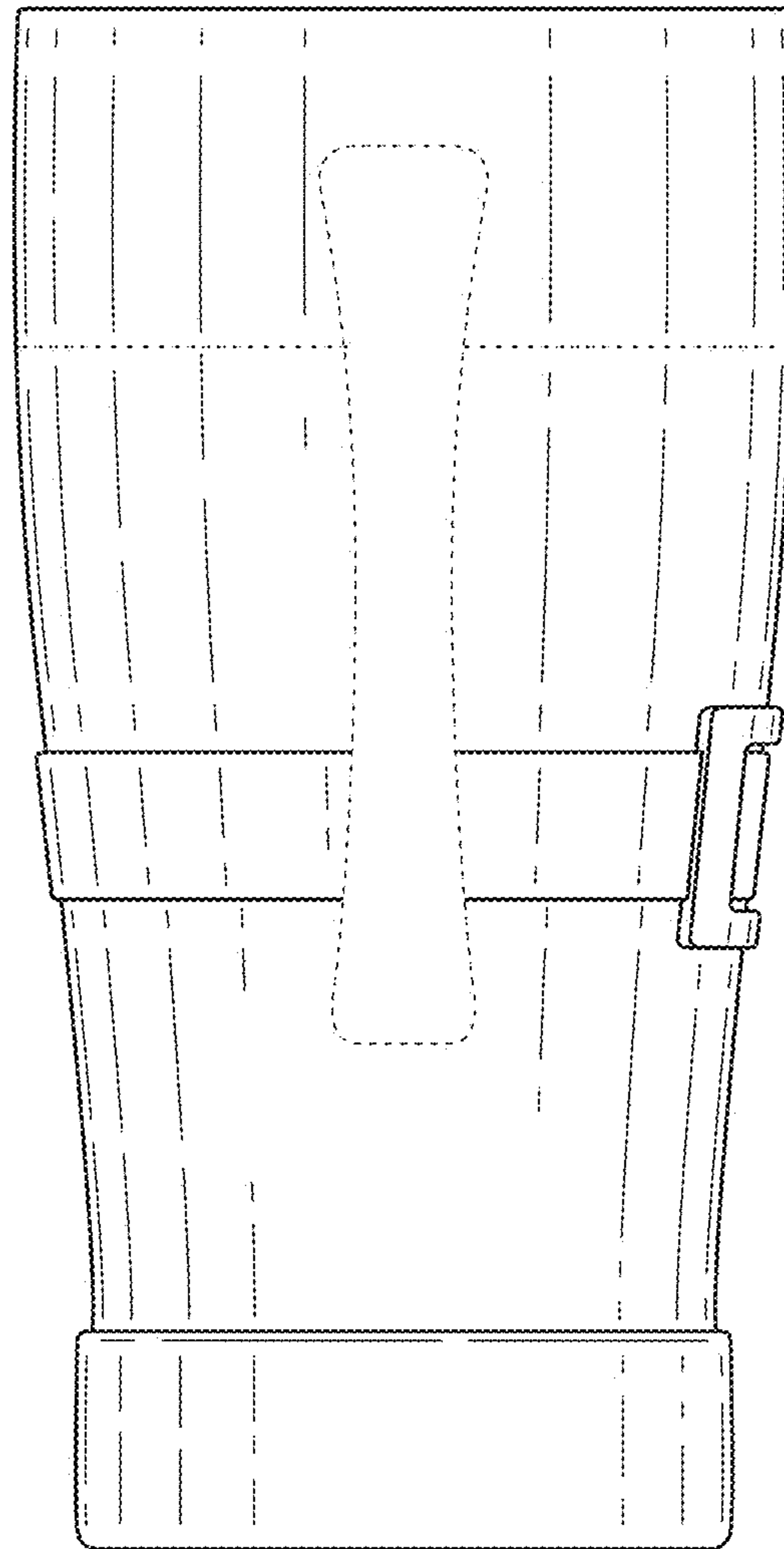


FIG. 6

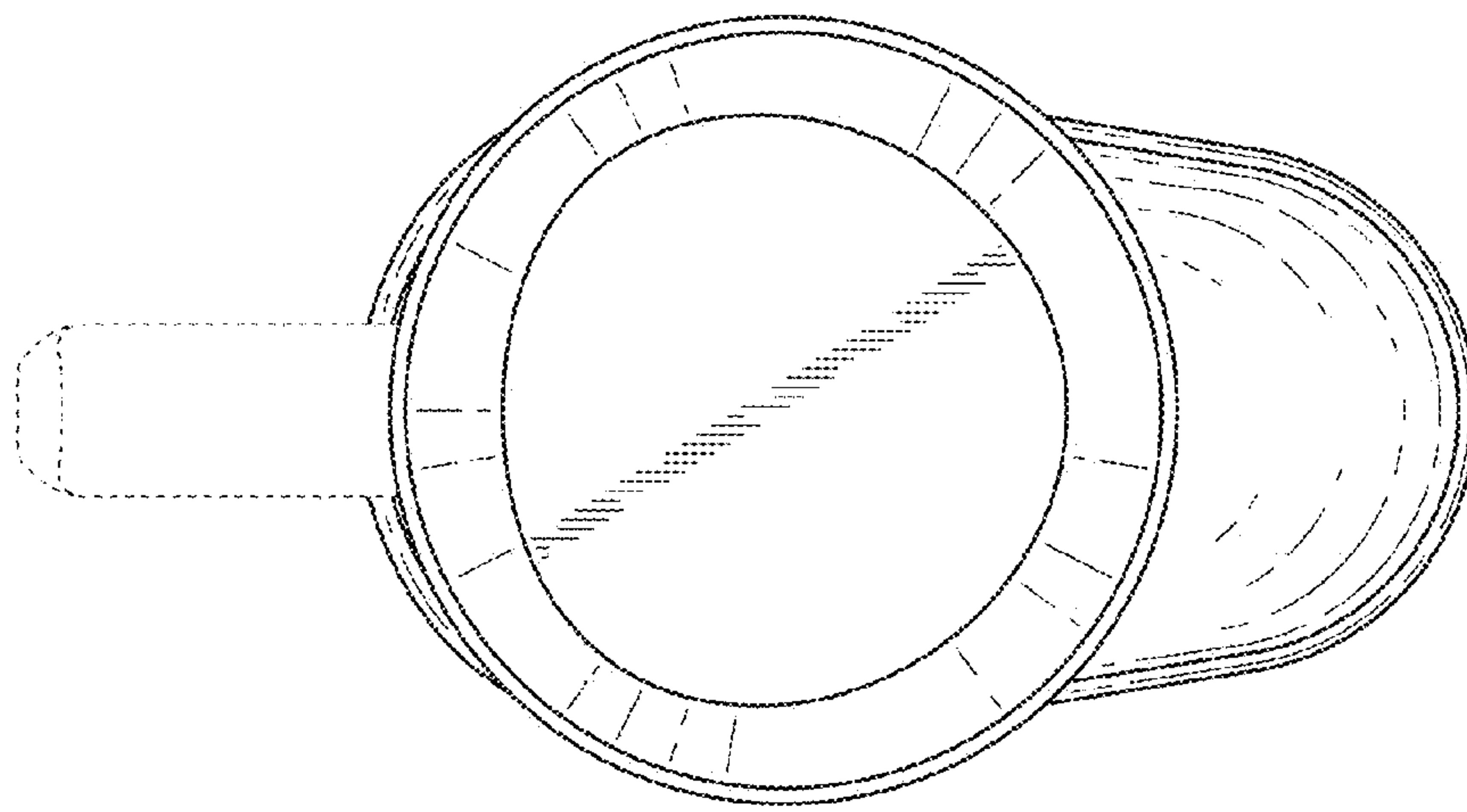


FIG. 7

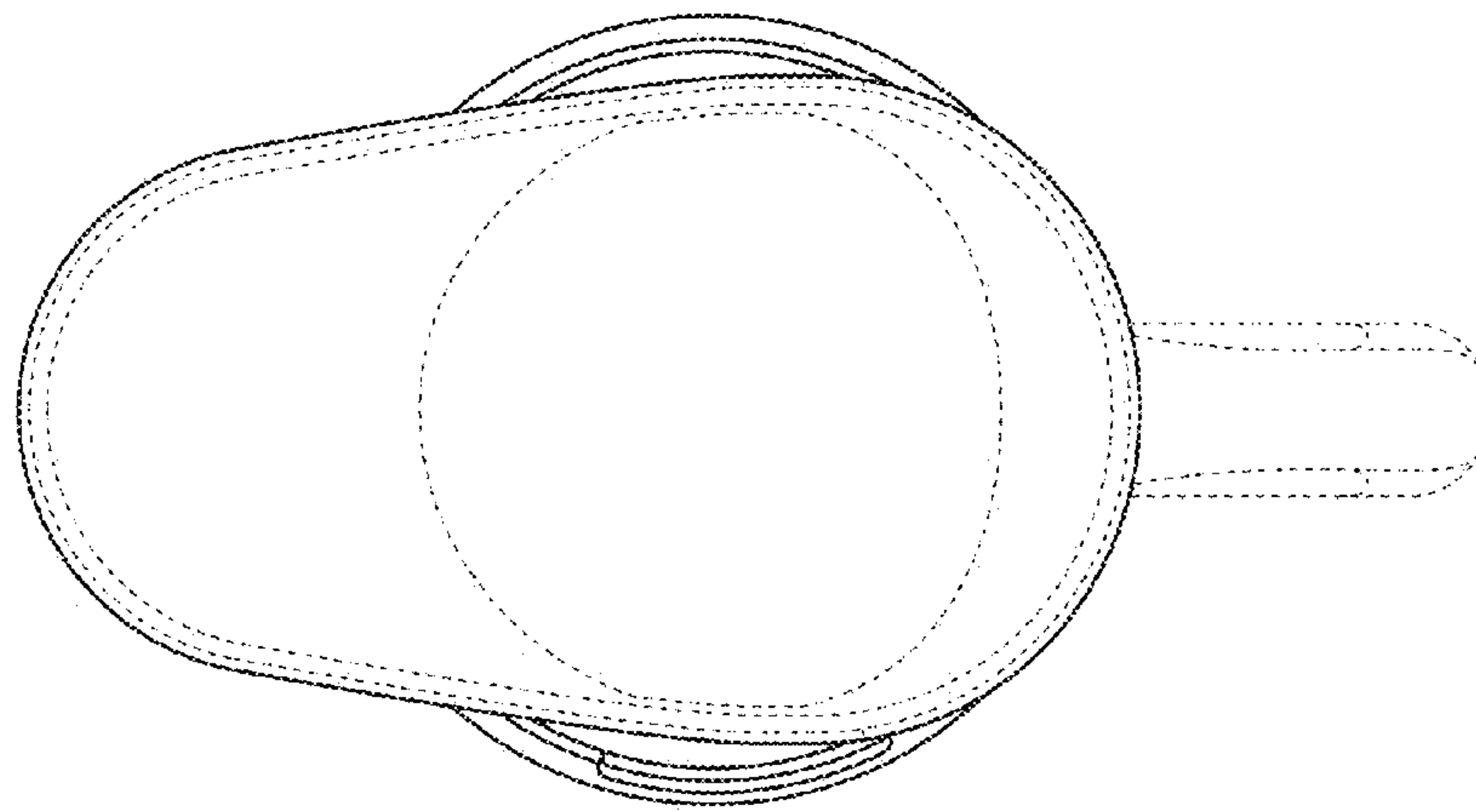


FIG. 8