



US00D721919S

(12) **United States Design Patent**
Funnell, II et al.

(10) **Patent No.:** **US D721,919 S**
(45) **Date of Patent:** **** Feb. 3, 2015**

(54) **RANGE AND/OR COMPONENTS THEREOF**

(71) Applicant: **BSH Home Appliances Corporation**,
Irvine, CA (US)

(72) Inventors: **Richard W. Funnell, II**, Corona del
Mar, CA (US); **Jonathan Grey**,
Huntersville, NC (US); **Graham**
Sadtler, Huntington Beach, CA (US)

(73) Assignee: **BSH Home Appliances Corporation**,
Irvine, CA (US)

(**) Term: **14 Years**

(21) Appl. No.: **29/472,345**

(22) Filed: **Nov. 12, 2013**

Related U.S. Application Data

(62) Division of application No. 29/450,599, filed on Mar.
20, 2013, now Pat. No. Des. 701,074, which is a
division of application No. 29/426,480, filed on Jul. 6,
2012, now Pat. No. Des. 682,602, which is a division of
application No. 29/398,035, filed on Jul. 26, 2011, now
Pat. No. Des. 669,729.

(51) **LOC (10) Cl.** **07-02**

(52) **U.S. Cl.**
USPC **D7/406**

(58) **Field of Classification Search**
USPC D7/339-341, 346-349, 402, 406-408;
126/39 R, 39 F, 39 C, 39 B, 211, 214 R;
219/391-392, 395

See application file for complete search history.

(56) **References Cited**

U.S. PATENT DOCUMENTS

D592,007 S *	5/2009	Corona	D7/340
D605,456 S *	12/2009	Bengtson et al.	D7/340
D646,921 S *	10/2011	Kim et al.	D7/340
D655,128 S *	3/2012	Kim et al.	D7/340

* cited by examiner

Primary Examiner — Catheri Oliver-Garcia

(74) *Attorney, Agent, or Firm* — James E. Howard; Andre
Pallapies

(57) **CLAIM**

The ornamental design for a range and/or components
thereof, as shown and described.

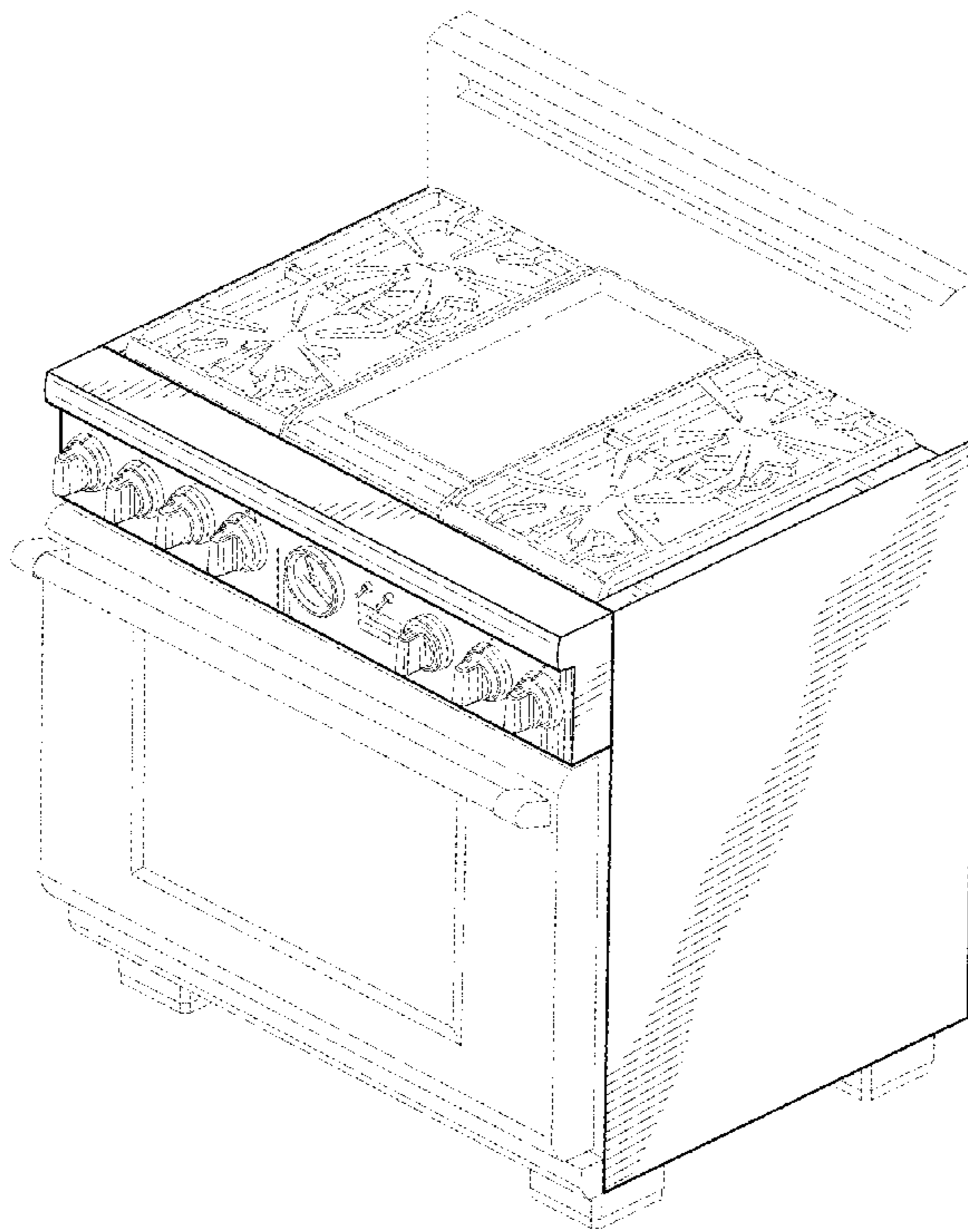
DESCRIPTION

FIG. 1 is a front perspective view of a range according to a
first embodiment showing our new ornamental design;
FIG. 2 is a front view thereof;
FIG. 3 is a top view thereof;
FIG. 4 is a right side view thereof; and,
FIG. 5 is a left side view thereof.

The broken lines represent environment or structure of the
kitchen appliance and do not form any part of the claimed
design.

Throughout the drawings, various views may not be pro-
vided, as the components in these views are unornamented or
the ornamentation in these views is simply unclaimed.

1 Claim, 4 Drawing Sheets



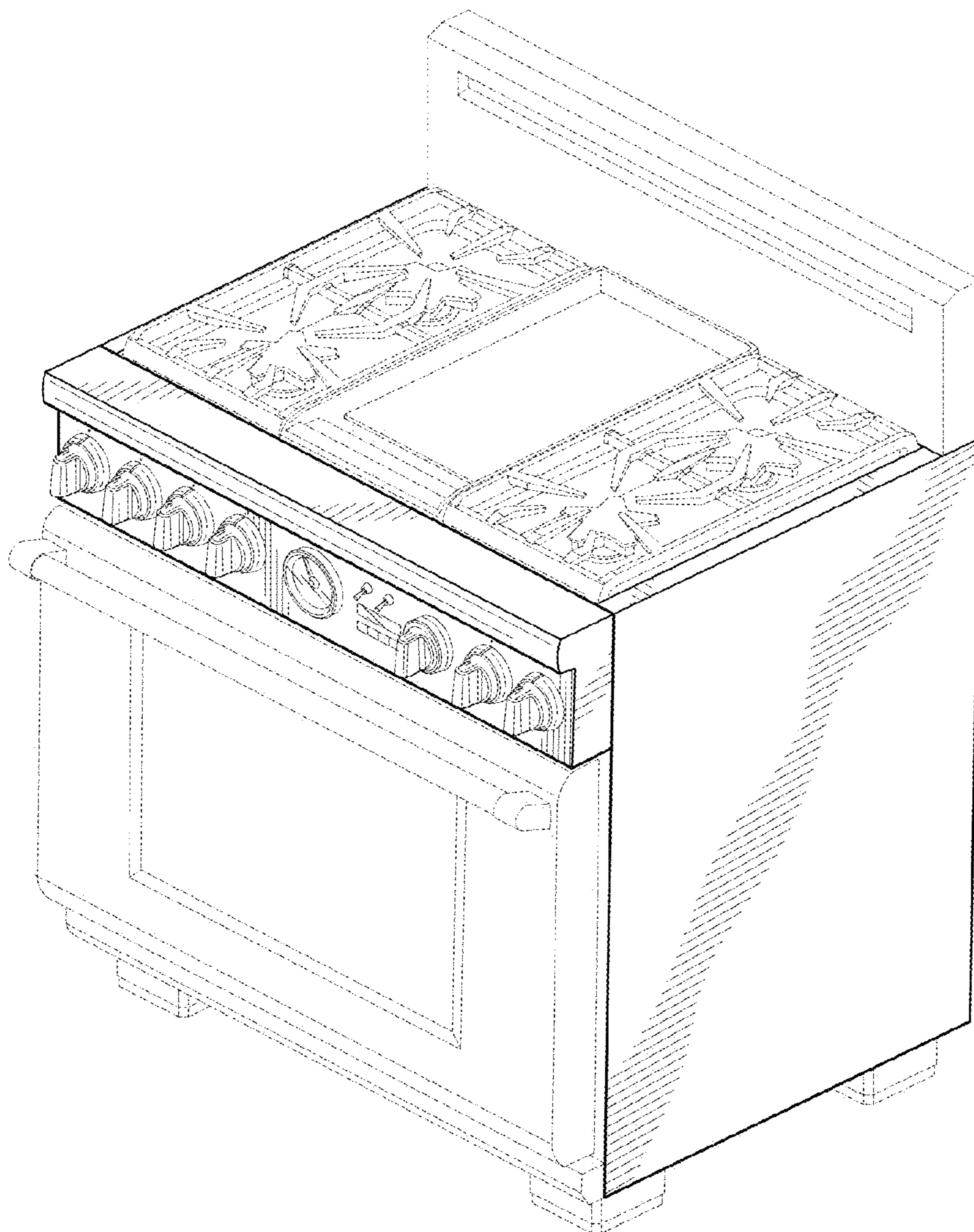


Fig. 1

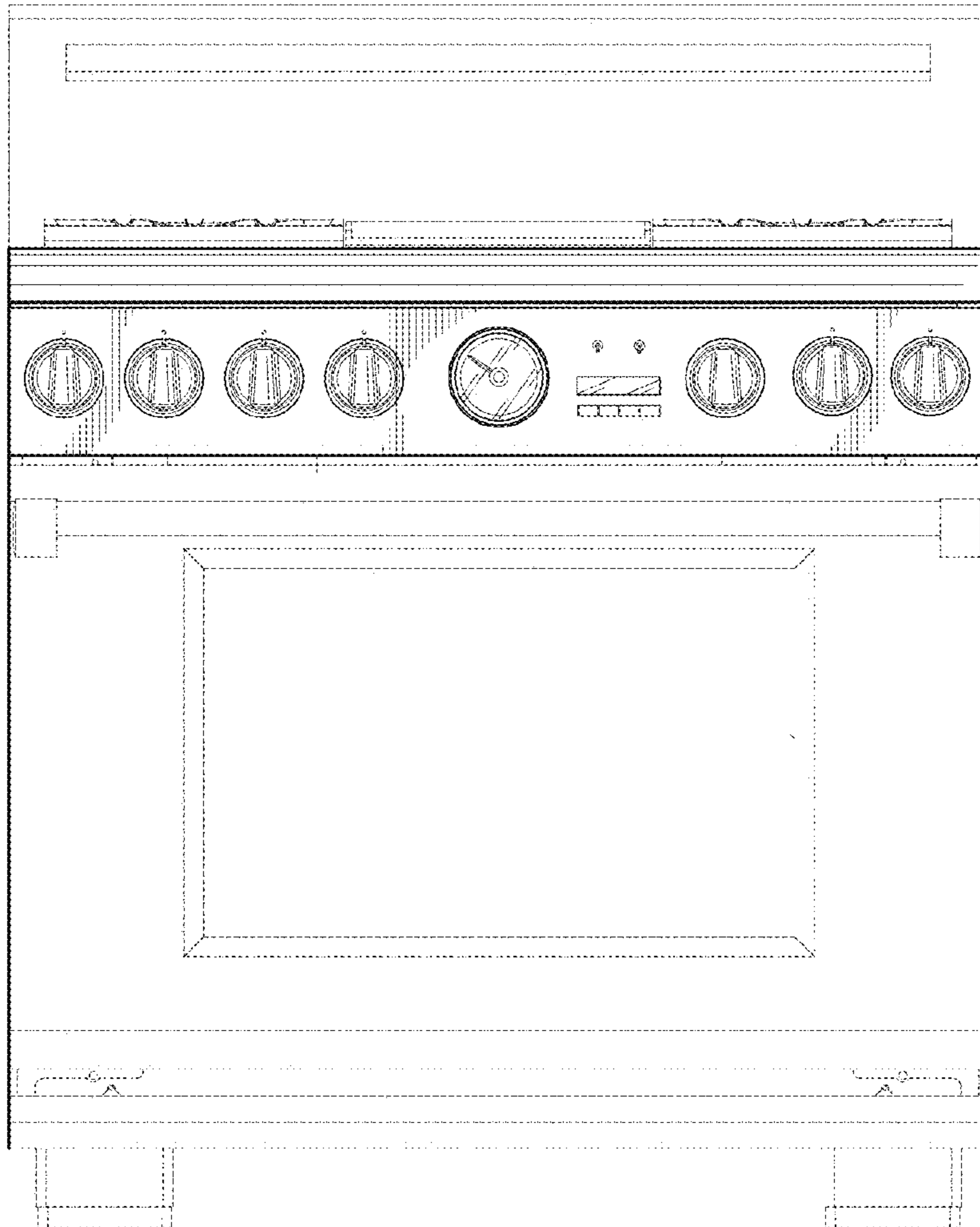


Fig. 2

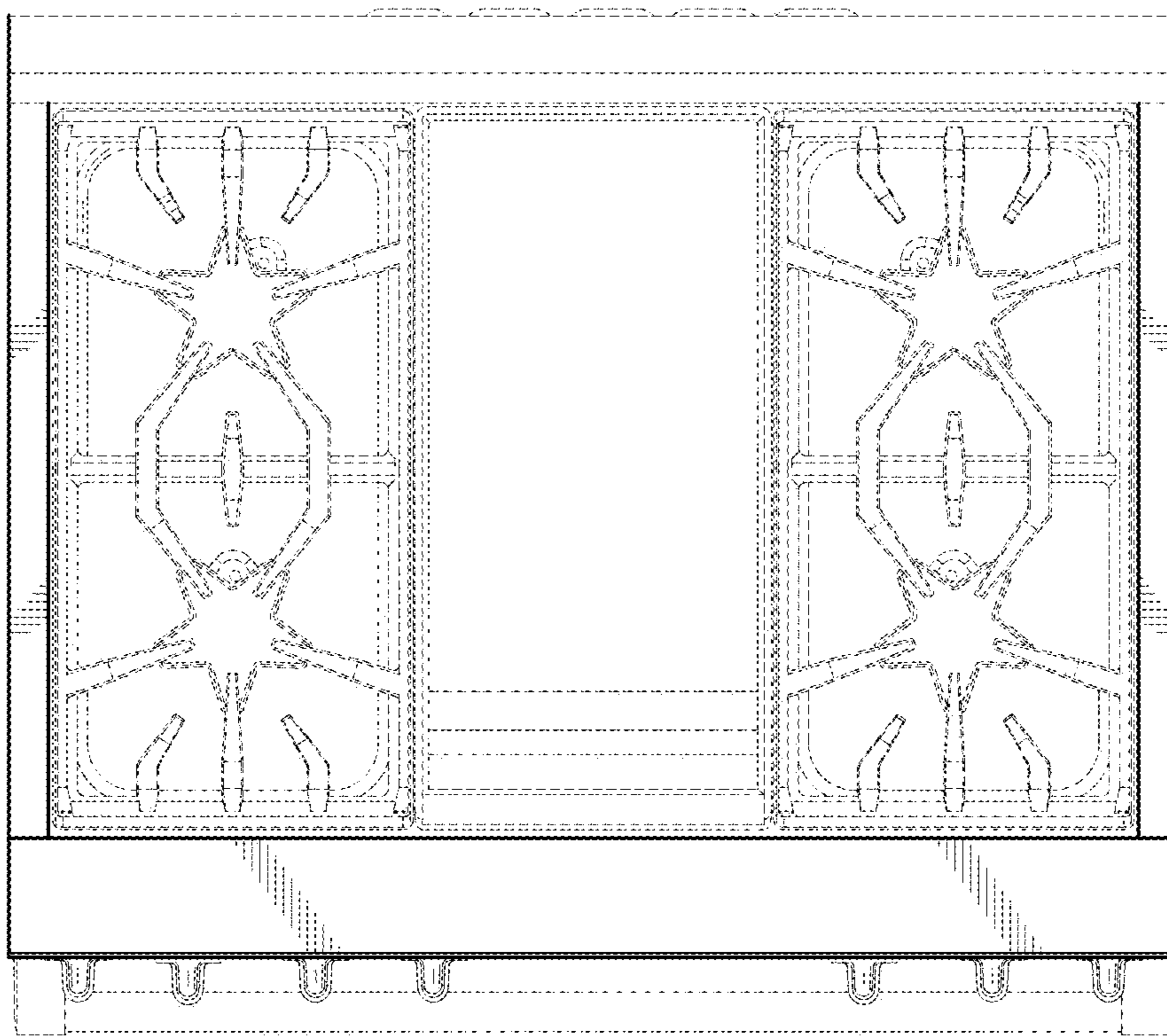


Fig. 3

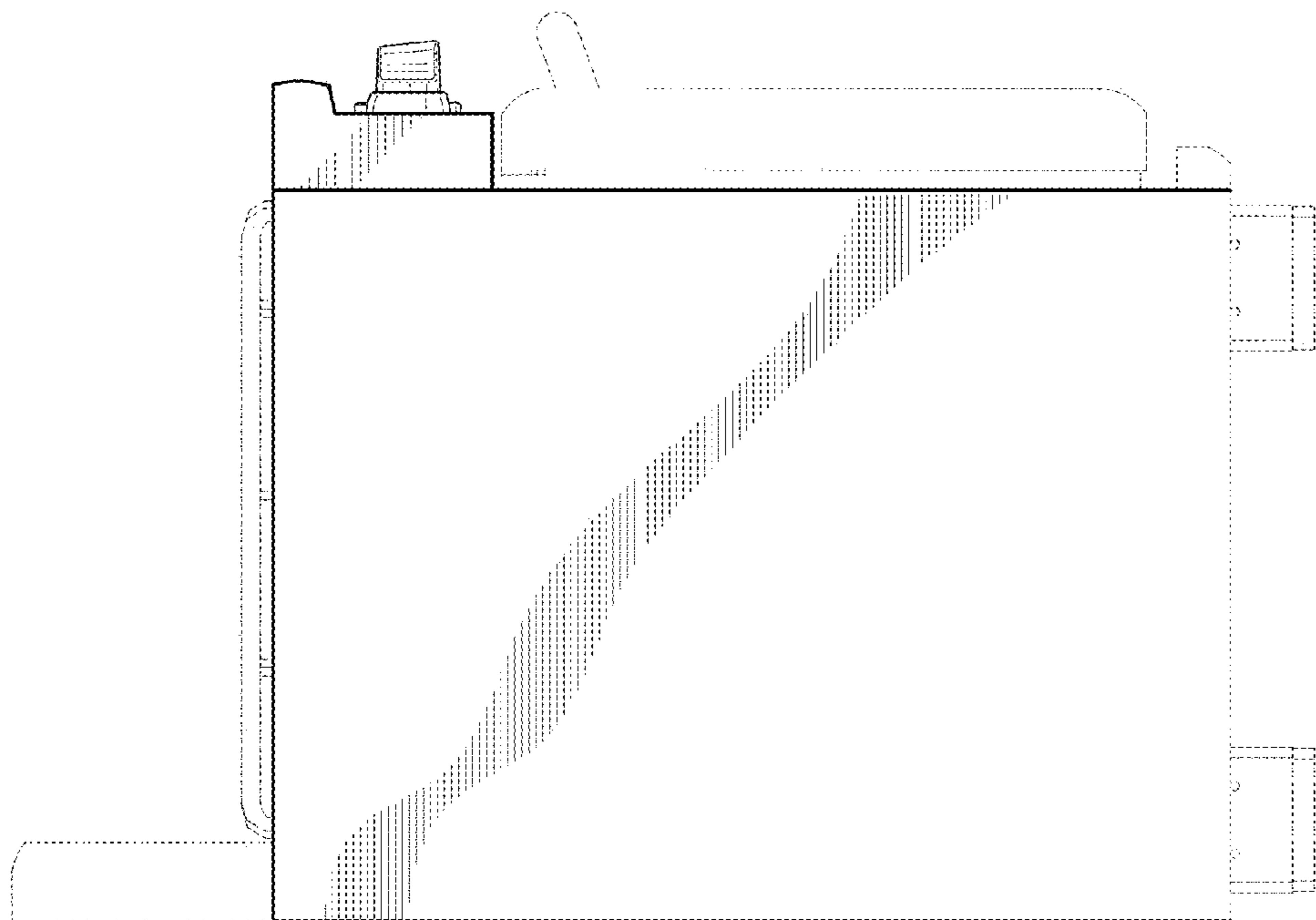


Fig. 5

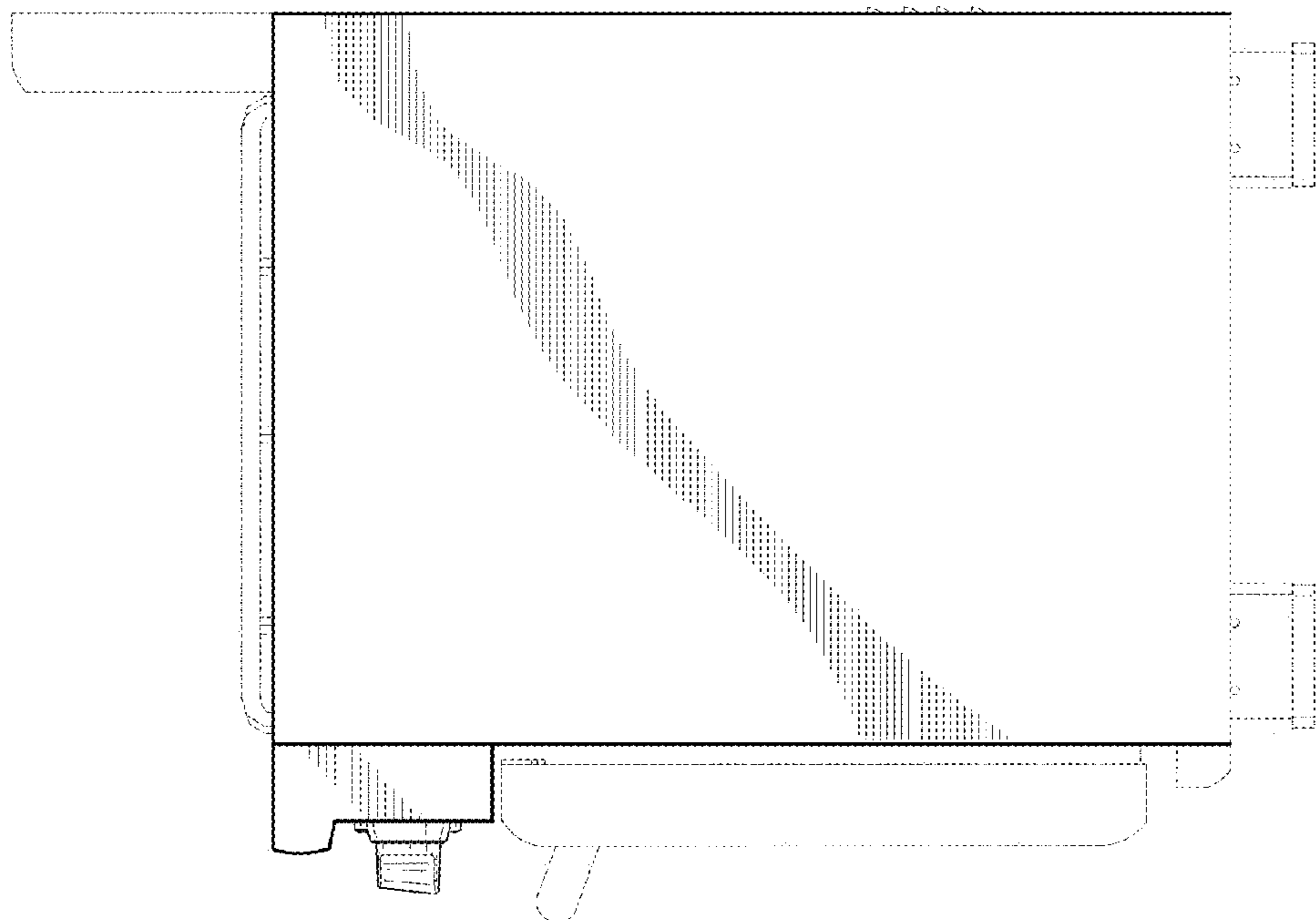


Fig. 4