



US00D721917S

(12) **United States Design Patent**  
**Funnell, II et al.**

(10) **Patent No.:** **US D721,917 S**  
(45) **Date of Patent:** **\*\* Feb. 3, 2015**

(54) **RANGE AND/OR COMPONENTS THEREOF**

(71) Applicant: **BSH Home Appliances Corporation**,  
Irvine, CA (US)

(72) Inventors: **Richard W. Funnell, II**, Corona del  
Mar, CA (US); **Jonathan Grey**,  
Huntersville, NC (US); **Graham**  
**Sadtler**, Huntington Beach, CA (US)

(73) Assignee: **BSH Home Appliances Corporation**,  
Irvine, CA (US)

(\*\*) Term: **14 Years**

(21) Appl. No.: **29/471,872**

(22) Filed: **Nov. 6, 2013**

**Related U.S. Application Data**

(62) Division of application No. 29/450,597, filed on Mar.  
20, 2013, now Pat. No. Des. 699,503, which is a  
division of application No. 29/426,705, filed on Jul.  
10, 2012, now Pat. No. Des. 682,603, which is a  
division of application No. 29/398,034, filed on Jul.  
26, 2011, now Pat. No. Des. 669,728.

(51) **LOC (10) Cl.** ..... **07-02**

(52) **U.S. Cl.**  
USPC ..... **D7/405**

(58) **Field of Classification Search**  
USPC ..... D7/339-341, 346-349, 402, 407-408;  
126/39 R, 39 F, 39 C, 39 B, 211, 214 R;  
219/391-392, 395

See application file for complete search history.

(56) **References Cited**

U.S. PATENT DOCUMENTS

D592,007 S \* 5/2009 Corona ..... D7/340  
D605,456 S \* 12/2009 Bengtson et al. .... D7/340  
D646,921 S \* 10/2011 Kim et al. .... D7/340  
D655,128 S \* 3/2012 Kim et al. .... D7/340

\* cited by examiner

*Primary Examiner* — Catheri Oliver-Garcia

(74) *Attorney, Agent, or Firm* — James E. Howard; Andre  
Pallapies

(57) **CLAIM**

The ornamental design for a range and/or components  
thereof, as shown and described.

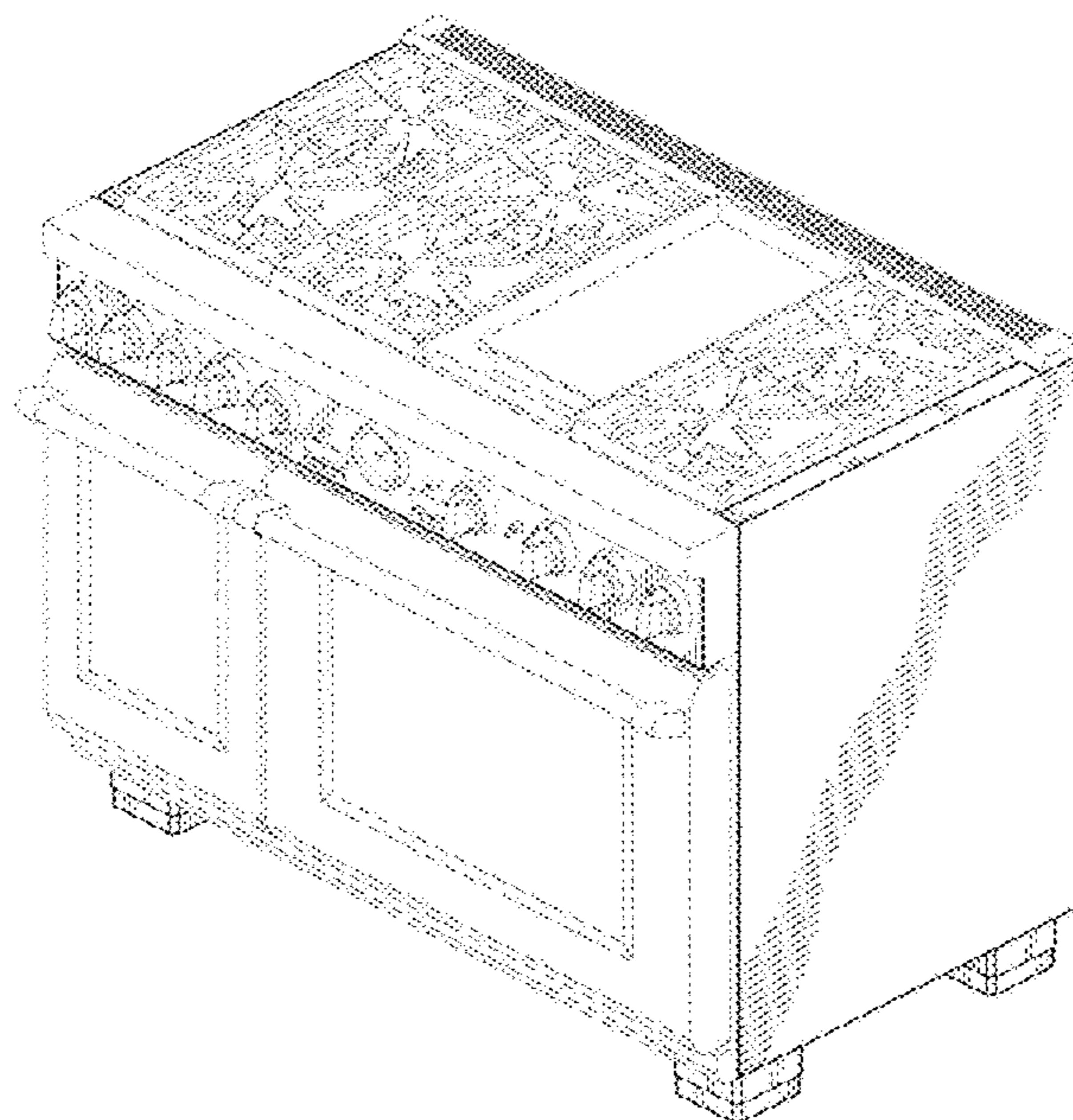
**DESCRIPTION**

FIG. 1 is a front perspective view of a range and/or compo-  
nents thereof showing our new ornamental design;  
FIG. 2 is a front view thereof;  
FIG. 3 is a right side view thereof;  
FIG. 4 is a left side view thereof; and,  
FIG. 5 is a bottom perspective view thereof.

The broken lines represent environment or structure of the  
kitchen appliance and do not form any part of the claimed  
design.

The dotted lines (e.g., in FIG. 5) represent the border between  
claimed and unclaimed subject matter and form no part of the  
claimed design.

**1 Claim, 4 Drawing Sheets**



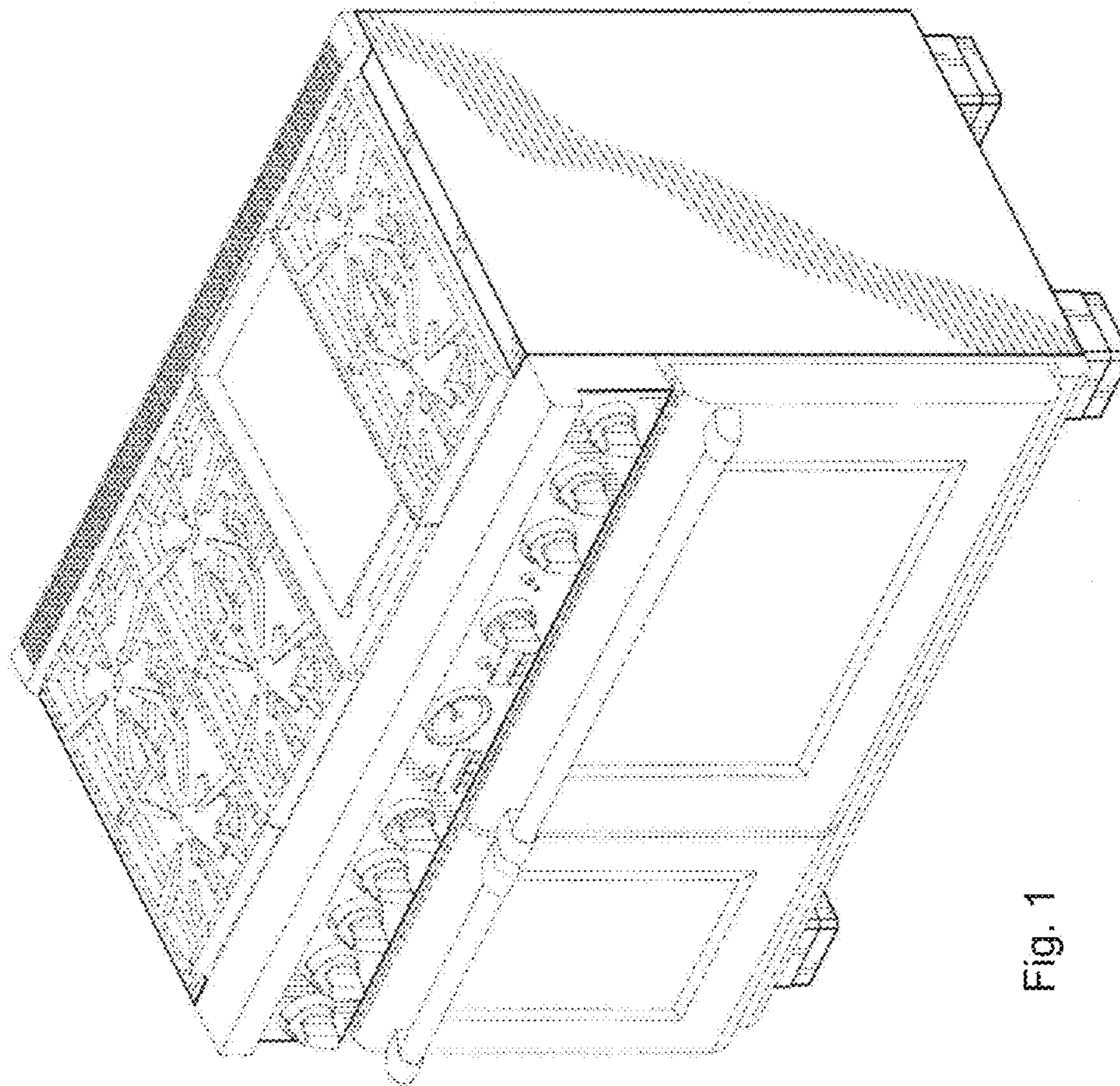


Fig. 1



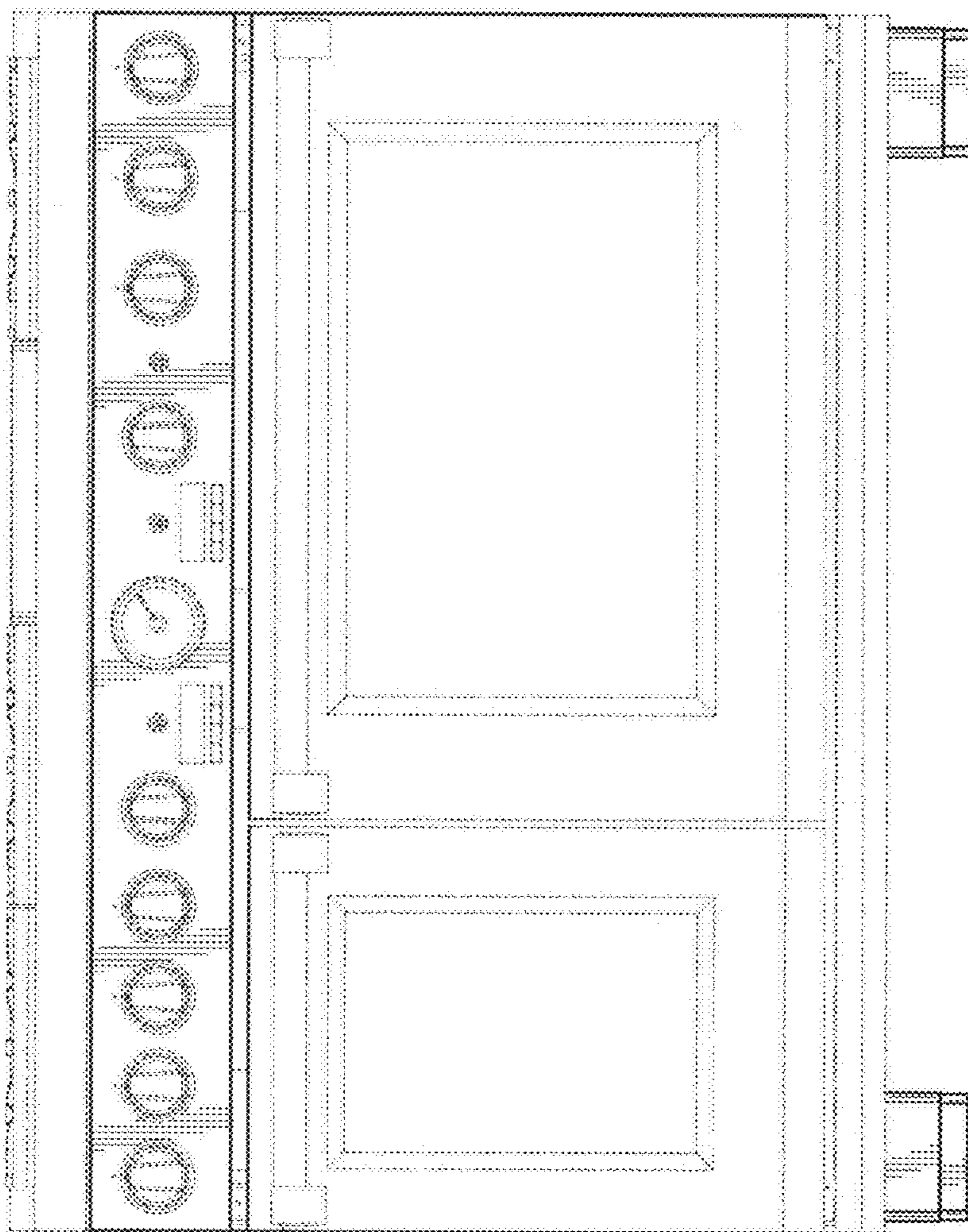


Fig. 2

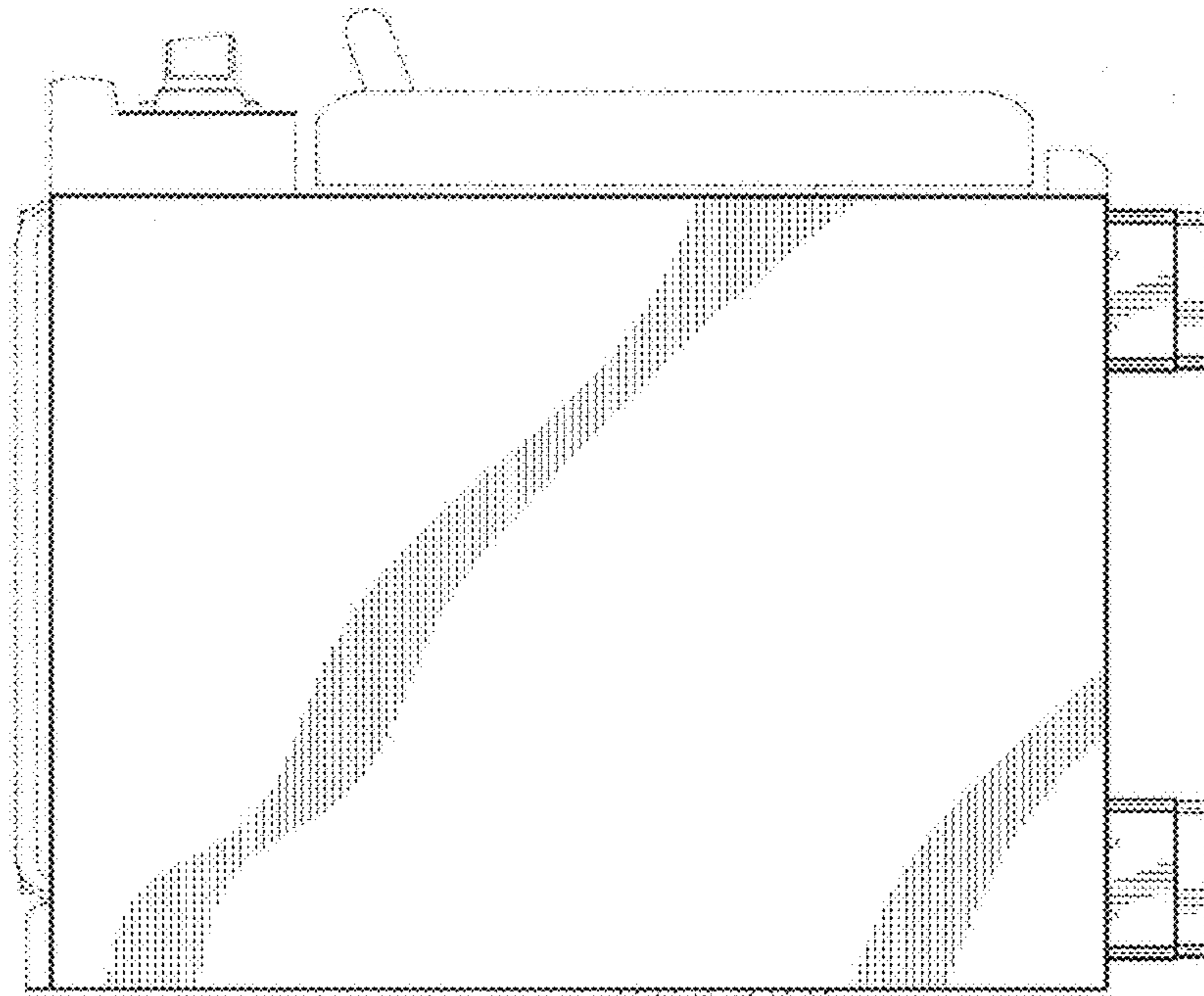


Fig. 4

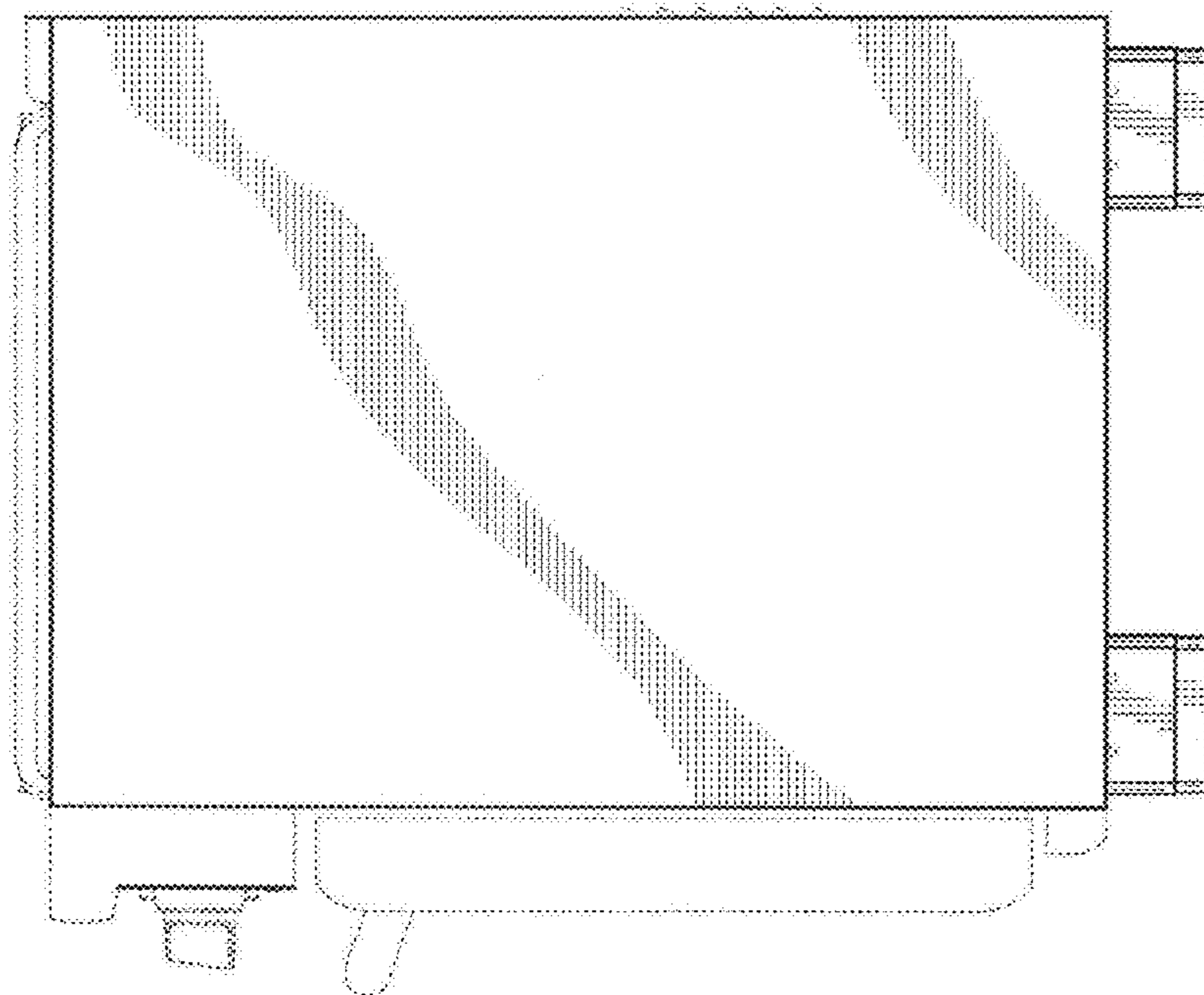


Fig. 3

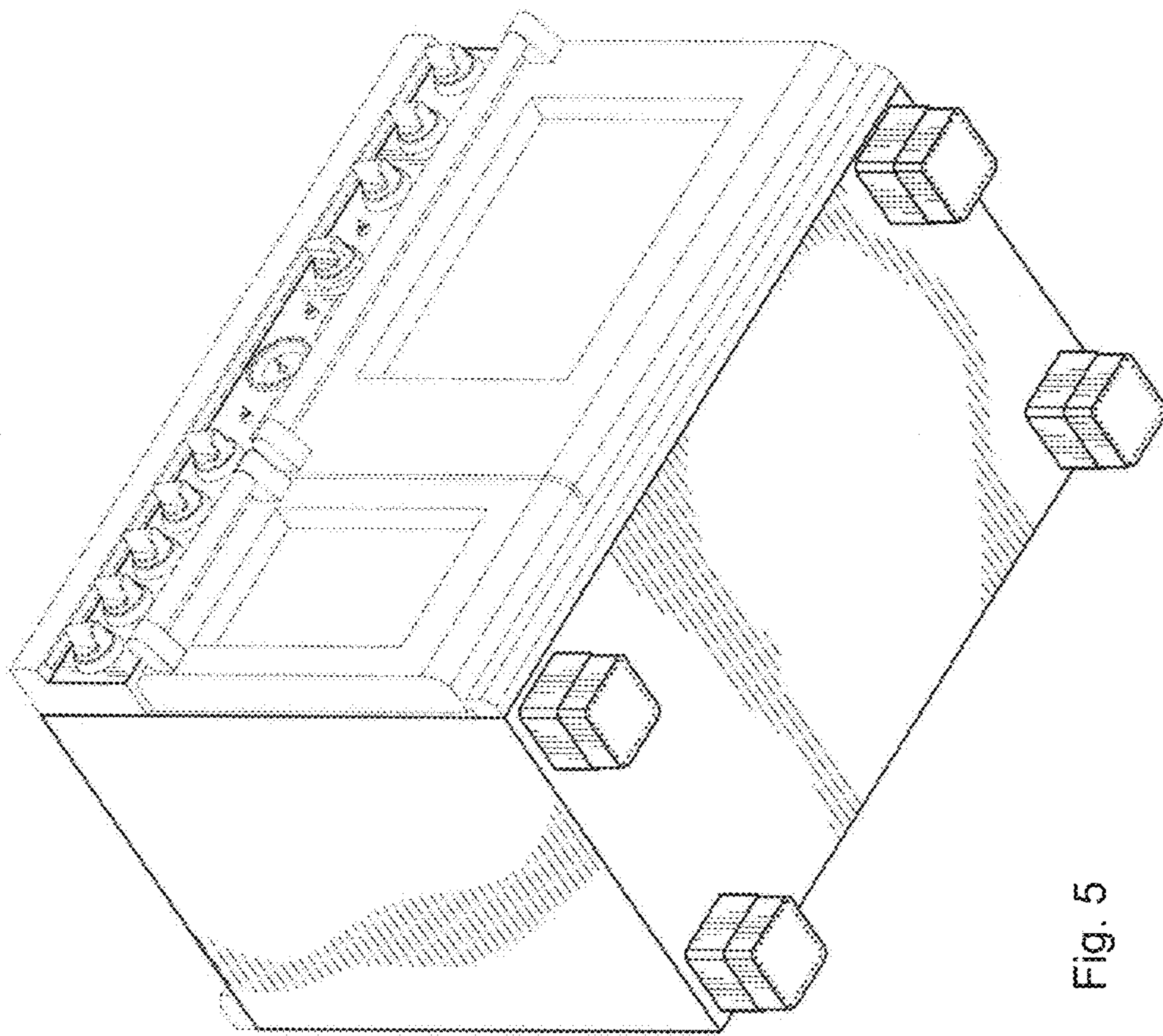


Fig. 5