

US00D721916S

(12) **United States Design Patent**
Webster

(10) **Patent No.:** **US D721,916 S**

(45) **Date of Patent:** **** Feb. 3, 2015**

(54) **BREWER POD HOLDER**

(71) Applicant: **Joseph P. Webster**, St. Charles, MO (US)

(72) Inventor: **Joseph P. Webster**, St. Charles, MO (US)

(73) Assignee: **Newco Enterprises, Inc.**, St. Charles, MO (US)

(**) Term: **14 Years**

(21) Appl. No.: **29/442,709**

(22) Filed: **Apr. 24, 2013**

(51) **LOC (10) Cl.** **07-99**

(52) **U.S. Cl.**
USPC **D7/400**; D7/399

(58) **Field of Classification Search**
CPC . A47J 27/21166; A47J 31/06; A47J 31/0605; A47J 31/061; A47J 31/0626; A47J 31/0684; A47J 31/08; A47J 31/10; A47G 7/00; A47G 7/04; A47G 19/2283; A47G 19/14
USPC D7/213, 400-410, 412, 417, 354, 359, D7/387, 388, 391, 399, 600.1, 600.2, D7/600.3, 600.4, 602, 603-606, 609, 610, D7/612, 614, 619.1, 629, 665, 667, 553.2, D7/555, 538, 540; D9/349, 366, 351, 529, D9/153, 453, 734, 424, 425; D5/1, 2; D11/155, 164; 99/289 R, 323, 285; 73/426, 427; D10/46.1, 46.2; 210/474; 220/781

See application file for complete search history.

(56) **References Cited**

U.S. PATENT DOCUMENTS

D228,896 S * 10/1973 Melnick et al. D34/38
D229,042 S * 11/1973 Melnick et al. D34/38

D236,603 S * 9/1975 Melnick et al. D34/38
D432,284 S * 10/2000 Lux, Jr. D34/38
6,260,476 B1 7/2001 Pope
D446,900 S * 8/2001 Koefeldt et al. D34/38
D485,659 S * 1/2004 Medoff et al. D34/38
D508,300 S * 8/2005 O'Dell et al. D34/38
6,948,420 B2 9/2005 Kirschner et al.
D538,100 S * 3/2007 Dodge D7/388
D544,748 S * 6/2007 Johansson D7/388
7,845,270 B2 12/2010 Rahn et al.
8,250,970 B2 8/2012 Thomas
D667,028 S * 9/2012 Headley, Sr. D15/82
D670,539 S 11/2012 Starr et al.
D670,540 S 11/2012 Starr et al.
D675,867 S 2/2013 Starr et al.
8,448,565 B2 5/2013 Rahn
8,607,694 B2 * 12/2013 Blanc et al. 99/323.3
D707,080 S * 6/2014 Shamoon D7/388
D708,895 S * 7/2014 Hoyord et al. D7/388
D711,974 S * 8/2014 Norman et al. D21/491

* cited by examiner

Primary Examiner — Marianne Pandozzi

Assistant Examiner — Jae Liang

(74) *Attorney, Agent, or Firm* — Paul M Denk

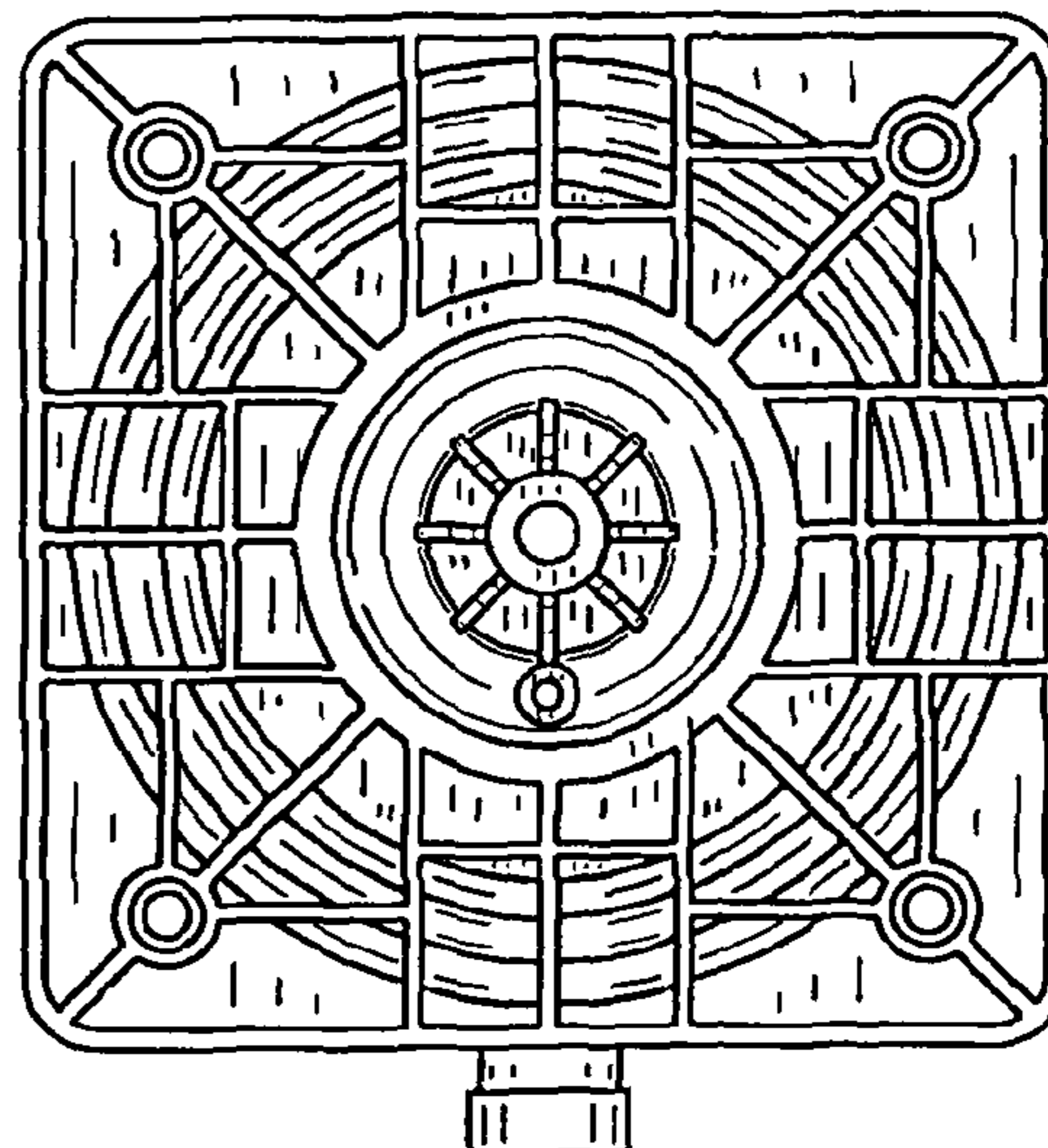
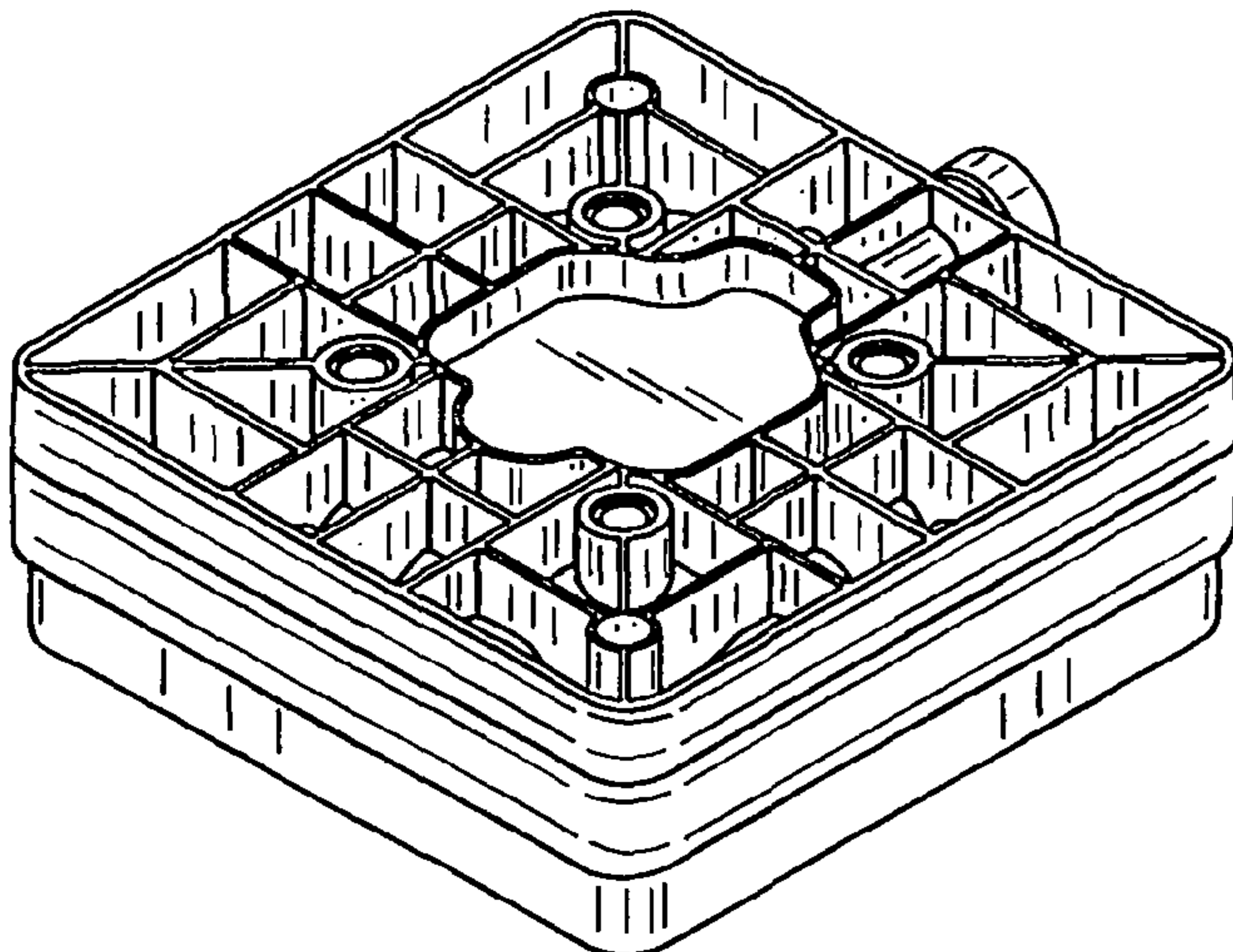
(57) **CLAIM**

The ornamental design for a brewer pod holder, as shown and described.

DESCRIPTION

FIG. 1 is an isometric view of a brewer pod holder showing my new design;
FIG. 2 is a top plan view;
FIG. 3 is a bottom view;
FIG. 4 is a left side view;
FIG. 5 is a right side view;
FIG. 6 is a front view; and,
FIG. 7 is a back view of the invention.

1 Claim, 2 Drawing Sheets



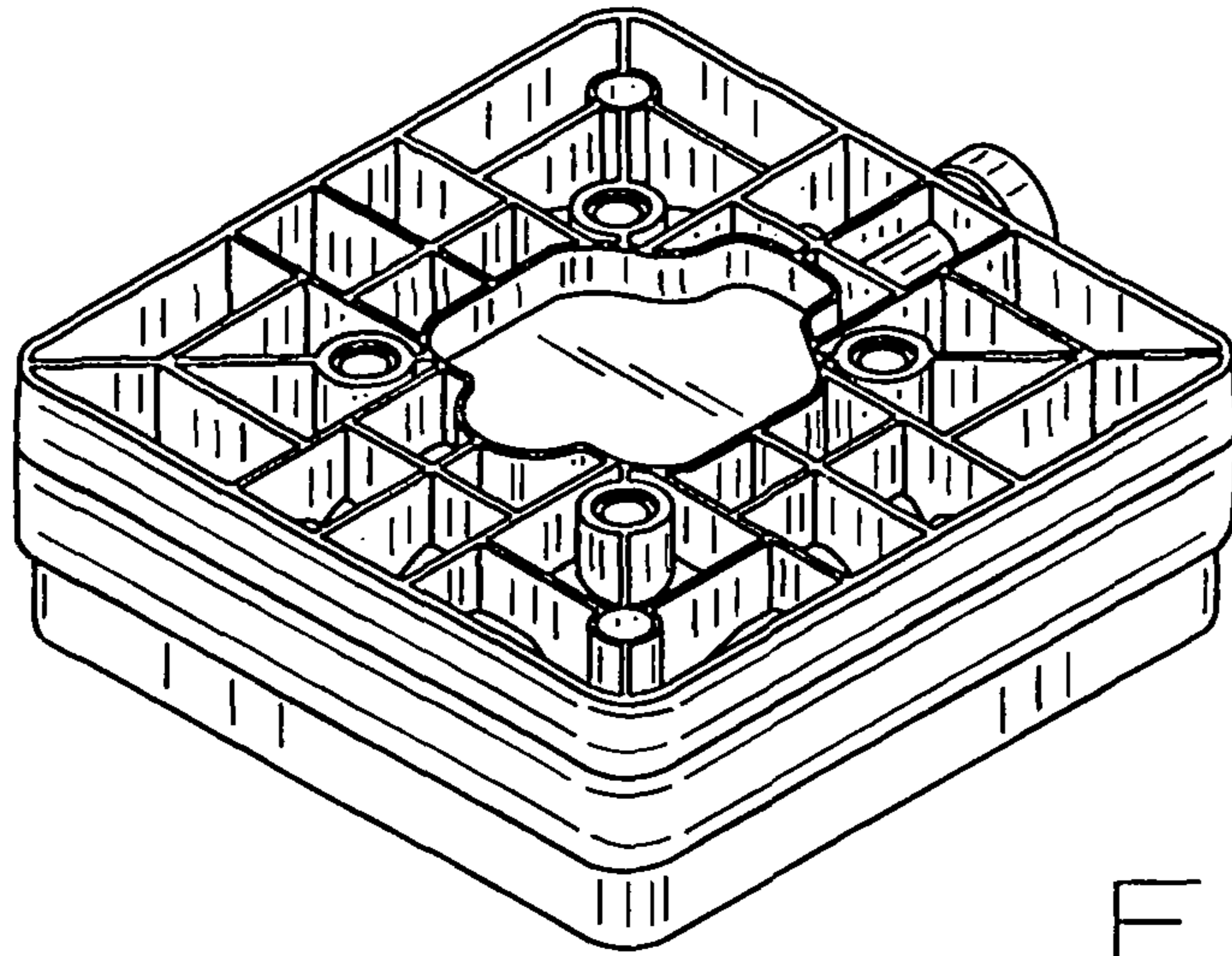


FIG. 1

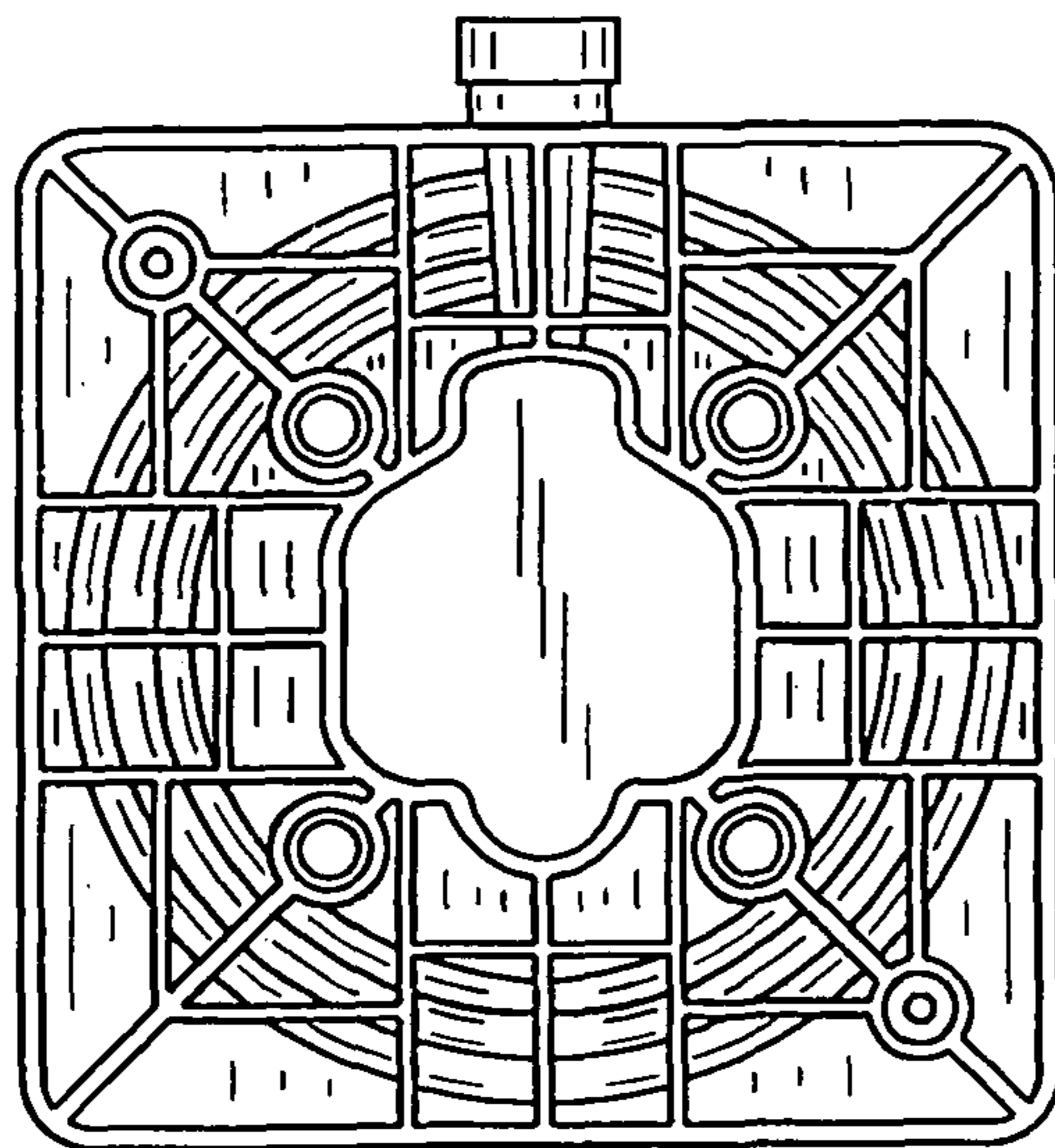


FIG. 2

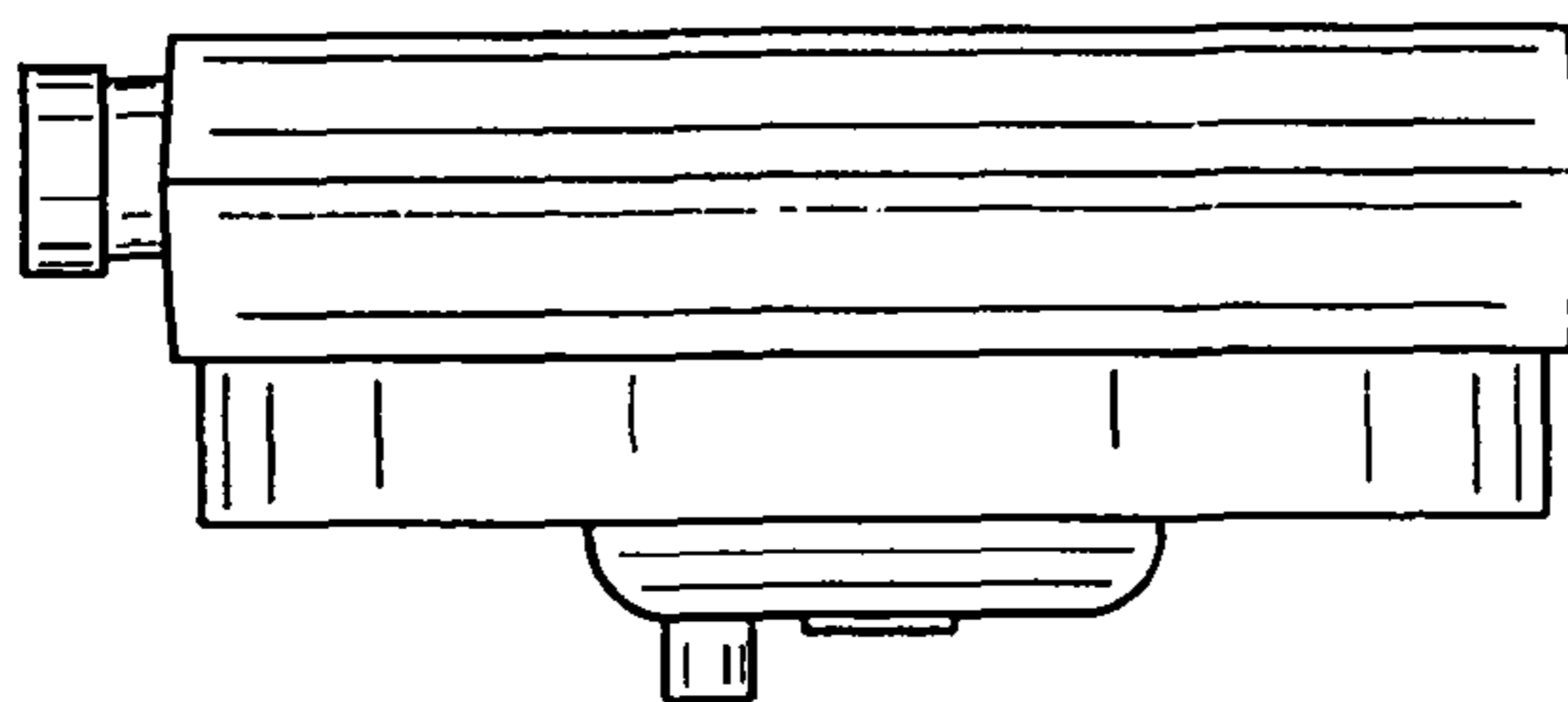


FIG. 4

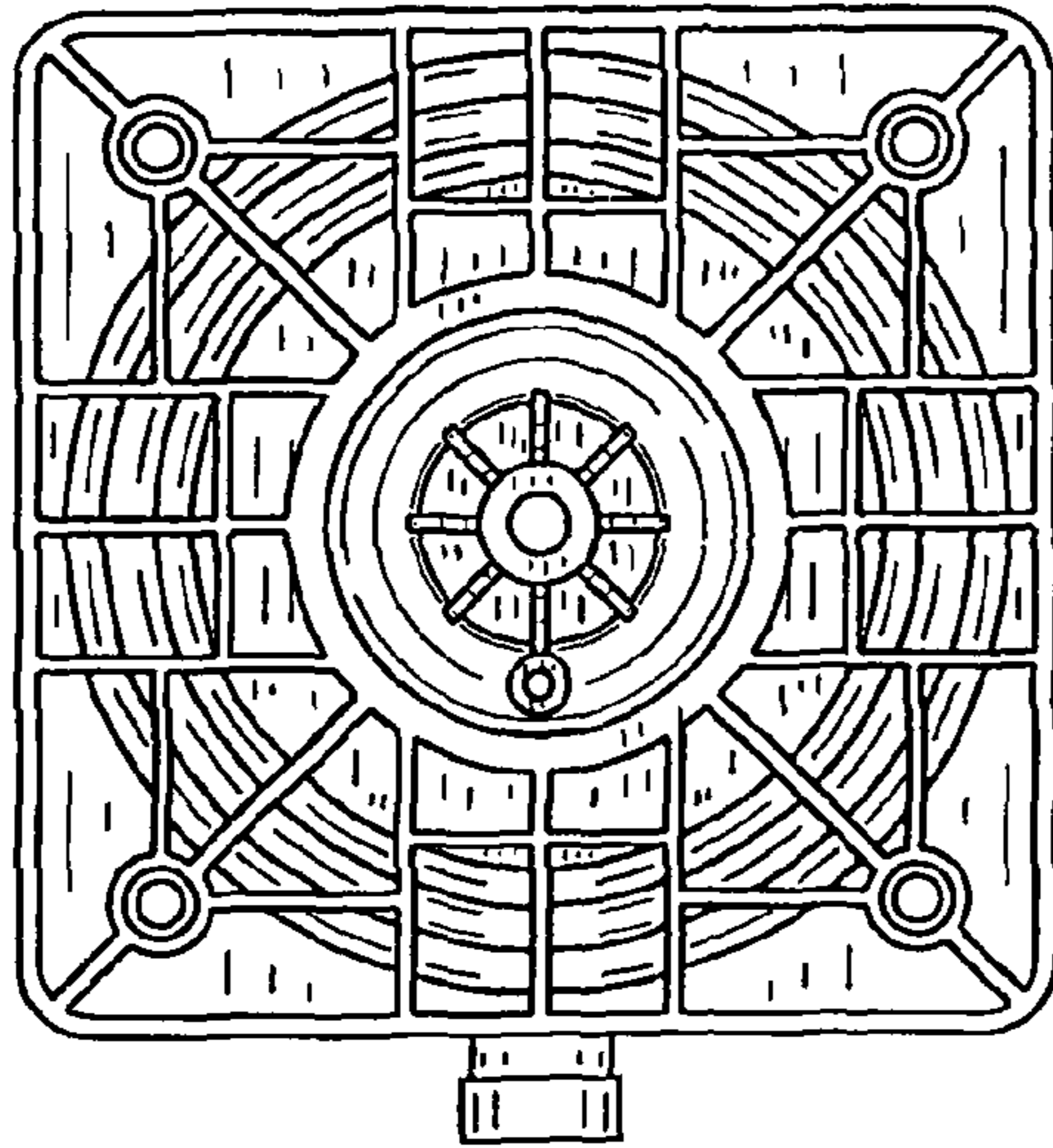


FIG. 3

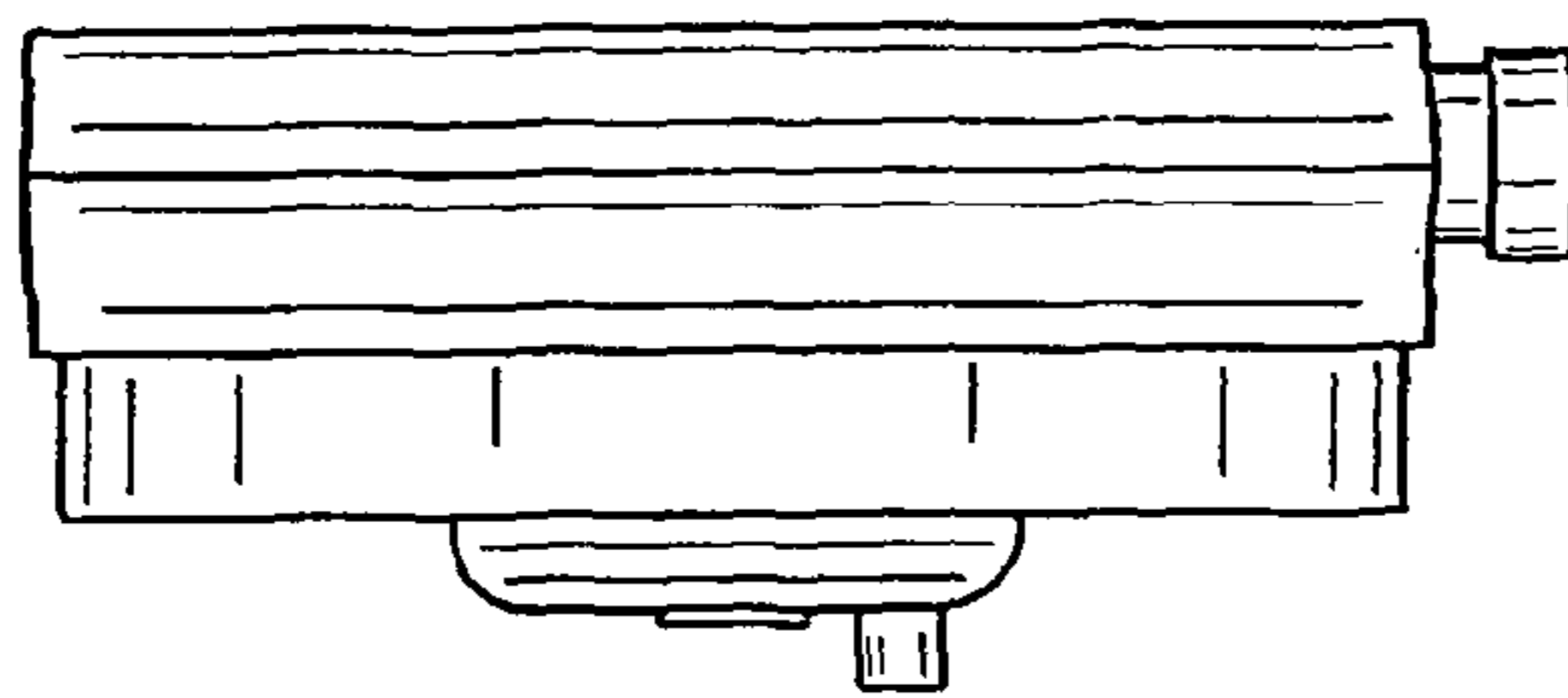


FIG. 5

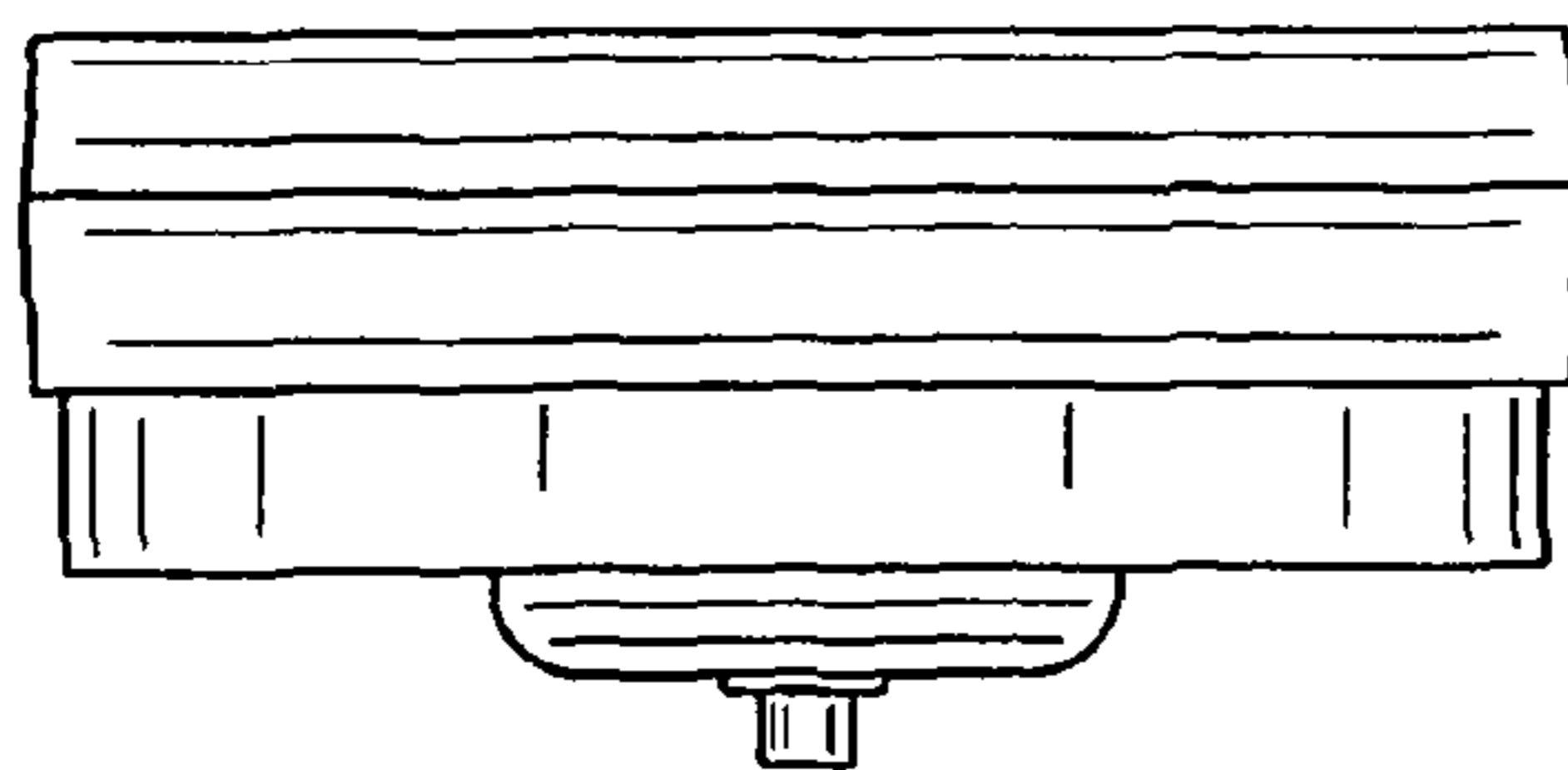


FIG. 6

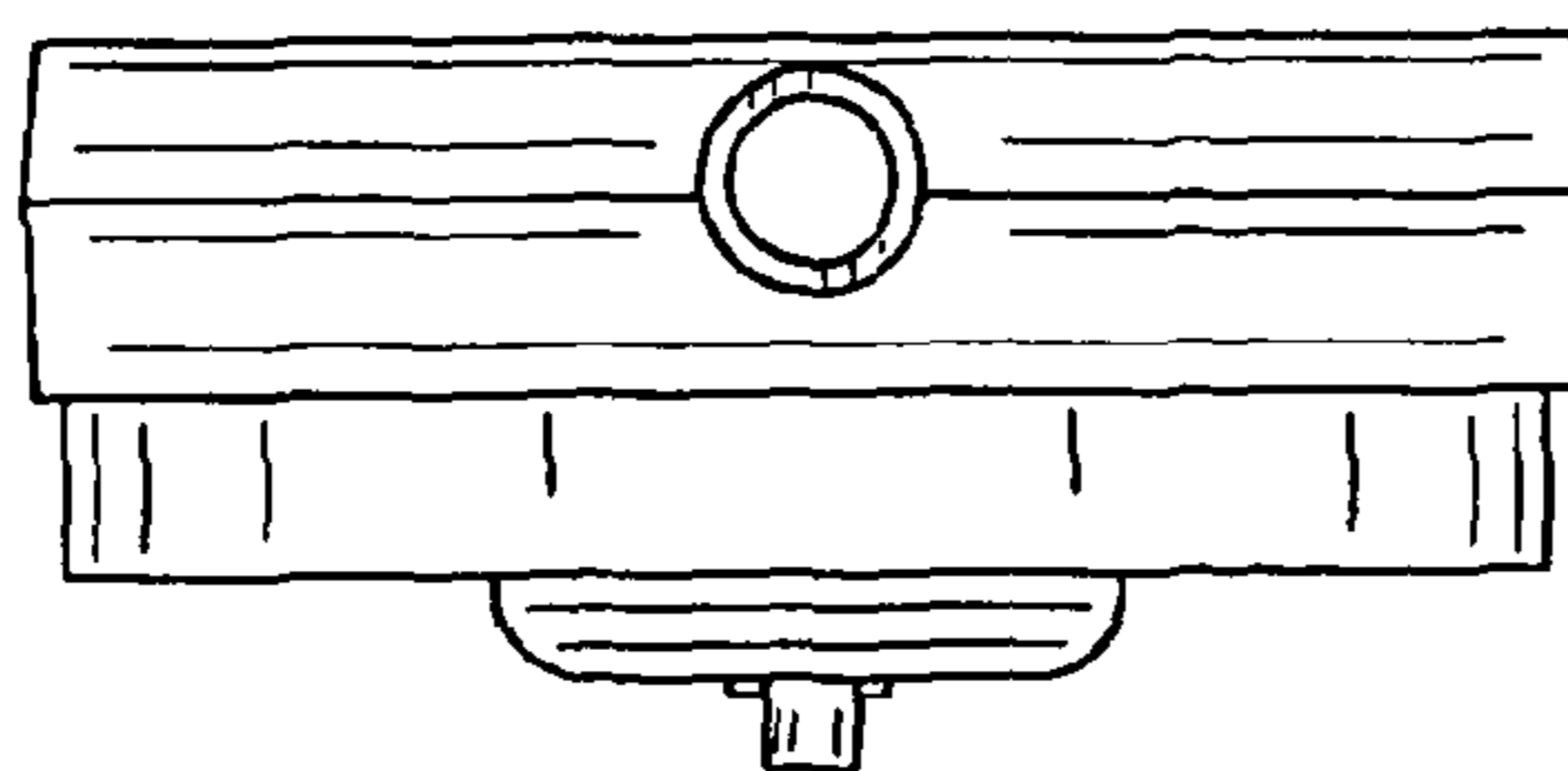


FIG. 7