

US00D721914S

(12) **United States Design Patent**  
**Hakim**

(10) **Patent No.:** **US D721,914 S**

(45) **Date of Patent:** **\*\* Feb. 3, 2015**

(54) **DRINKING CUP CAP**

(71) Applicant: **Nouri E. Hakim**, Monroe, LA (US)

(72) Inventor: **Nouri E. Hakim**, Monroe, LA (US)

(\*\*) Term: **14 Years**

(21) Appl. No.: **29/461,458**

(22) Filed: **Jul. 23, 2013**

(51) **LOC (10) Cl.** ..... **07-01**

(52) **U.S. Cl.**  
USPC ..... **D7/396.2; D9/447**

(58) **Field of Classification Search**  
CPC ..... **A47G 19/22-19/23**  
USPC ..... **D7/509-518, 533-536, 392.1, 392.2, 220/718, 713, 203.18, 303, 254.3, 705, 709, 220/714; D24/194-197; D9/447, 529, 723, D9/435, 439, 440, 445, 449, 450, 454, 500, D9/503-505**

See application file for complete search history.

(56) **References Cited**

**U.S. PATENT DOCUMENTS**

D315,213	S	*	3/1991	Ohnuki	.....	D24/197
5,967,307	A	*	10/1999	Wang	.....	206/217
D421,878	S	*	3/2000	Roehrig	.....	D7/510
6,321,931	B1	*	11/2001	Hakim et al.	.....	220/714
D464,434	S	*	10/2002	Morano	.....	D24/197
D511,436	S	*	11/2005	Giddings et al.	.....	D7/509
D515,867	S	*	2/2006	Randolph et al.	.....	D7/396.2
D579,721	S	*	11/2008	Qian	.....	D7/510
D579,722	S	*	11/2008	Sakulsacha et al.	.....	D7/510
D608,148	S	*	1/2010	Lane	.....	D7/510
D634,439	S	*	3/2011	Hakim	.....	D24/196
D642,436	S	*	8/2011	Schofield et al.	.....	D7/510

D667,558	S	*	9/2012	Hakim	.....	D24/196
D671,793	S	*	12/2012	Hakim	.....	D7/392.1
D675,062	S	*	1/2013	Dunn et al.	.....	D7/509
D679,948	S	*	4/2013	Meyer et al.	.....	D7/534
D686,453	S	*	7/2013	Smiedt et al.	.....	D7/510
D688,524	S	*	8/2013	Hsu	.....	D7/534
D693,177	S	*	11/2013	Tollman	.....	D7/534
D699,068	S	*	2/2014	Dunn et al.	.....	D7/392.1
D699,857	S	*	2/2014	Py	.....	D24/196
D708,901	S	*	7/2014	Dunn et al.	.....	D7/392.1
D709,320	S	*	7/2014	Jagger	.....	D7/392.1
2003/0066839	A1	*	4/2003	Connors et al.	.....	220/713
2005/0056614	A1	*	3/2005	Morano et al.	.....	215/396
2014/0103041	A1	*	4/2014	Randolph et al.	.....	220/212.5

\* cited by examiner

*Primary Examiner* — Susan Bennett Hattan

*Assistant Examiner* — Brett Miller

(74) *Attorney, Agent, or Firm* — Husch Blackwell LLP; George S. Pavlik

(57) **CLAIM**

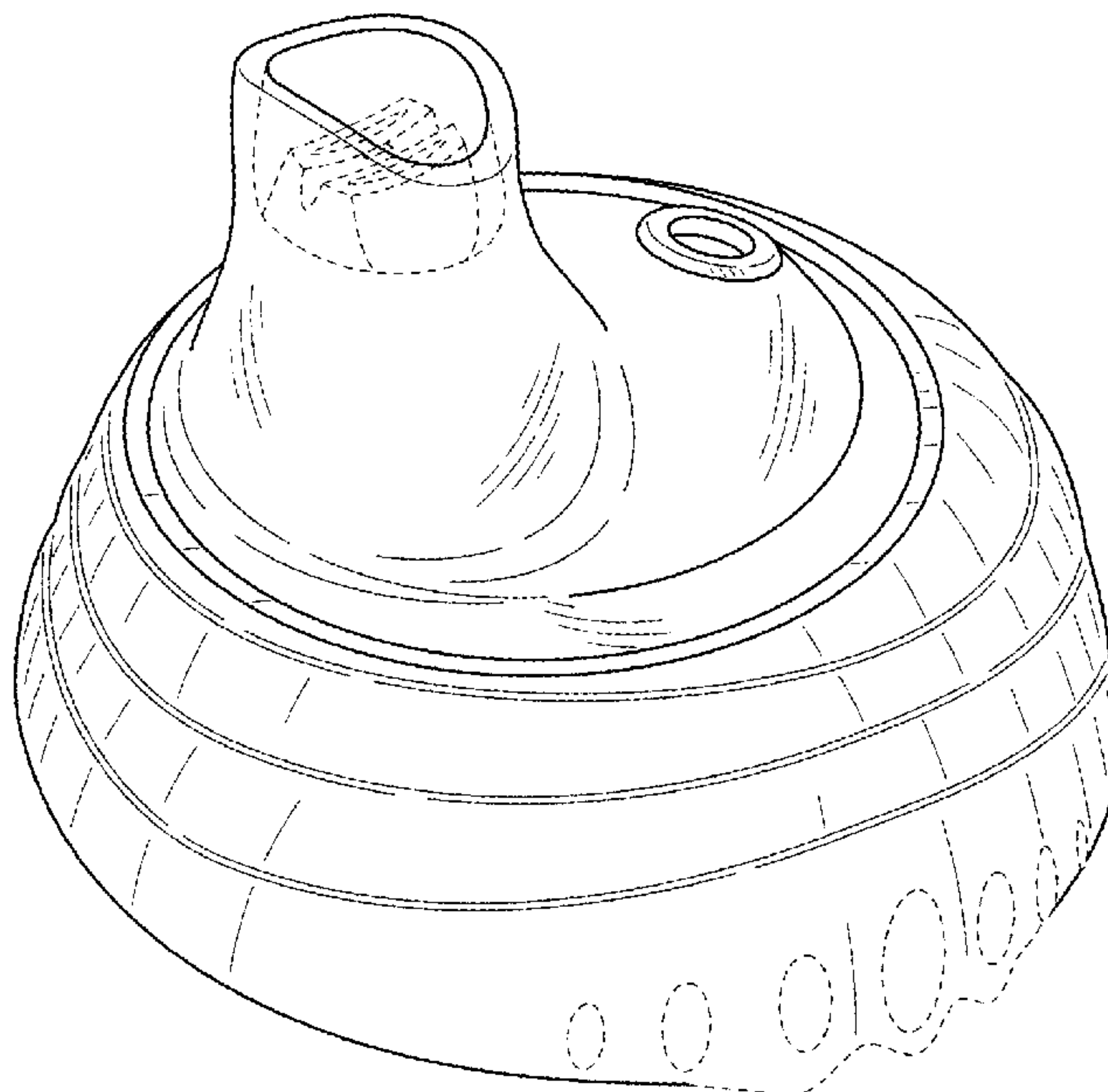
The ornamental design for drinking cup cap, as shown and described.

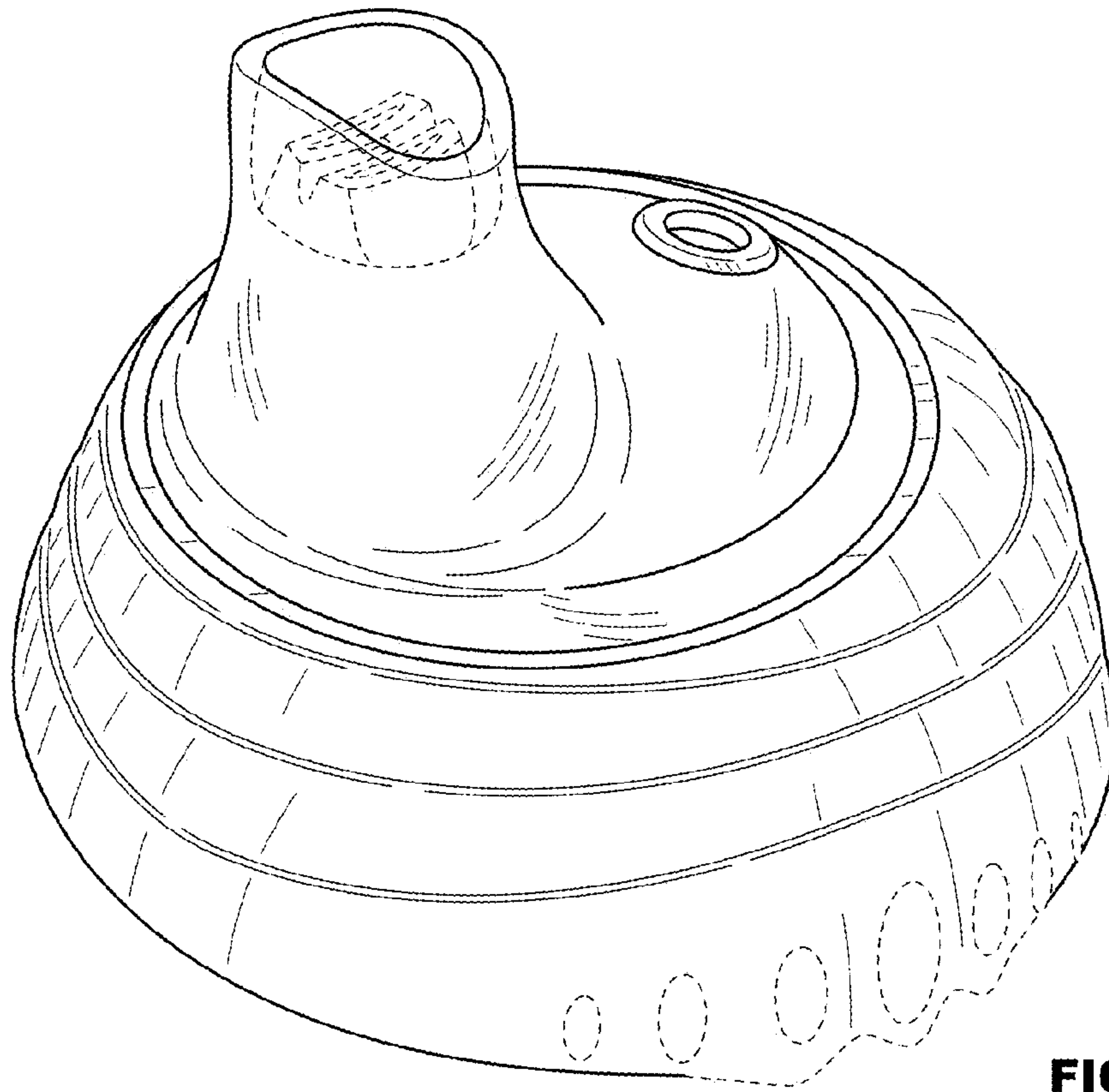
**DESCRIPTION**

FIG. 1 is a perspective view of a drinking cup cap;  
 FIG. 2 is a front view thereof;  
 FIG. 3 is a back view thereof;  
 FIG. 4 is a right side view, the left side view being a mirror image thereof;  
 FIG. 5 is a top view thereof; and,  
 FIG. 6 is a bottom view thereof.

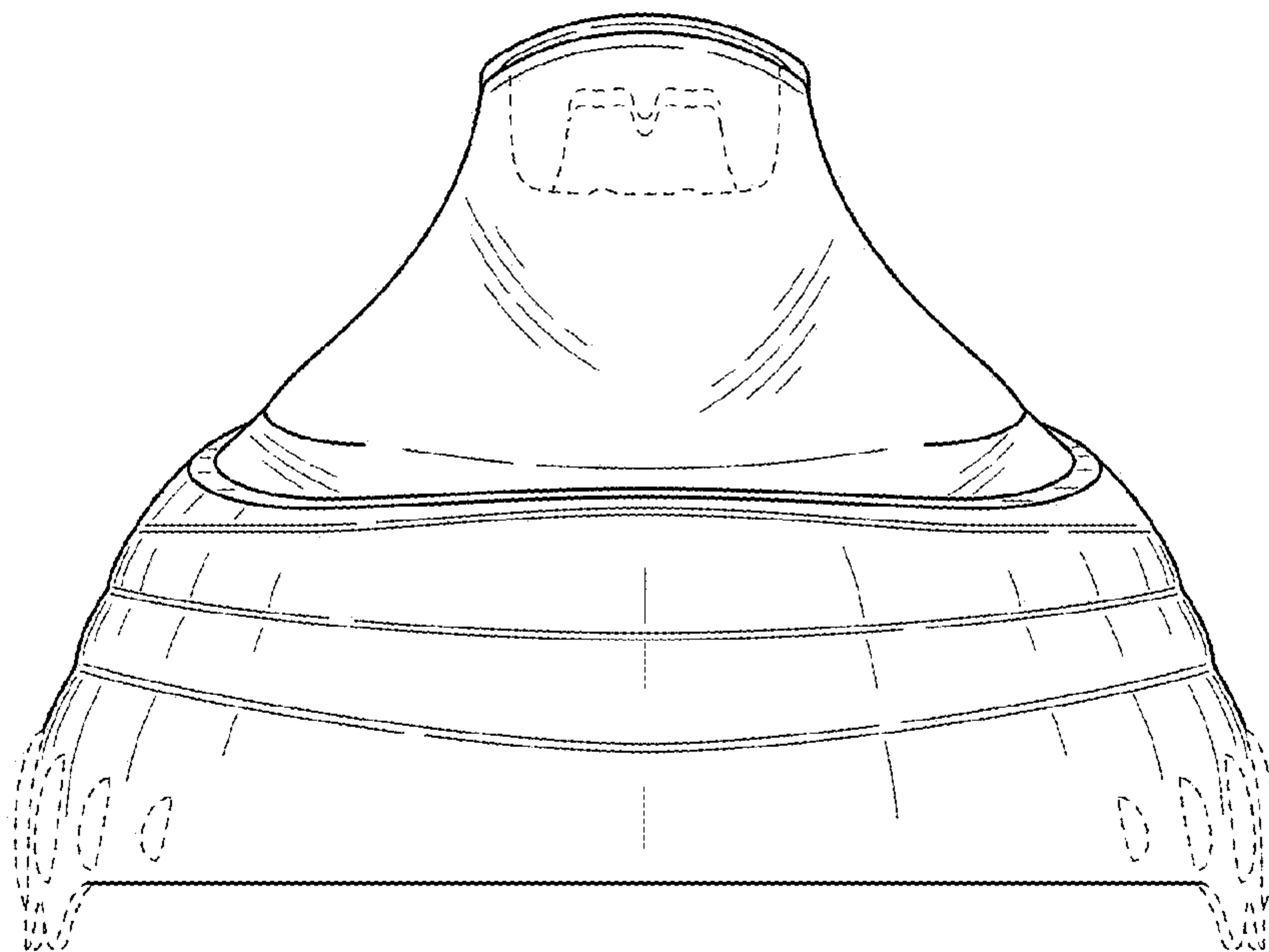
The broken lines depict portions of the drinking cup cap that form no part of the claimed design. The shading lines that appear on and around the spout portion in FIGS. 1-5, indicate transparency.

**1 Claim, 3 Drawing Sheets**

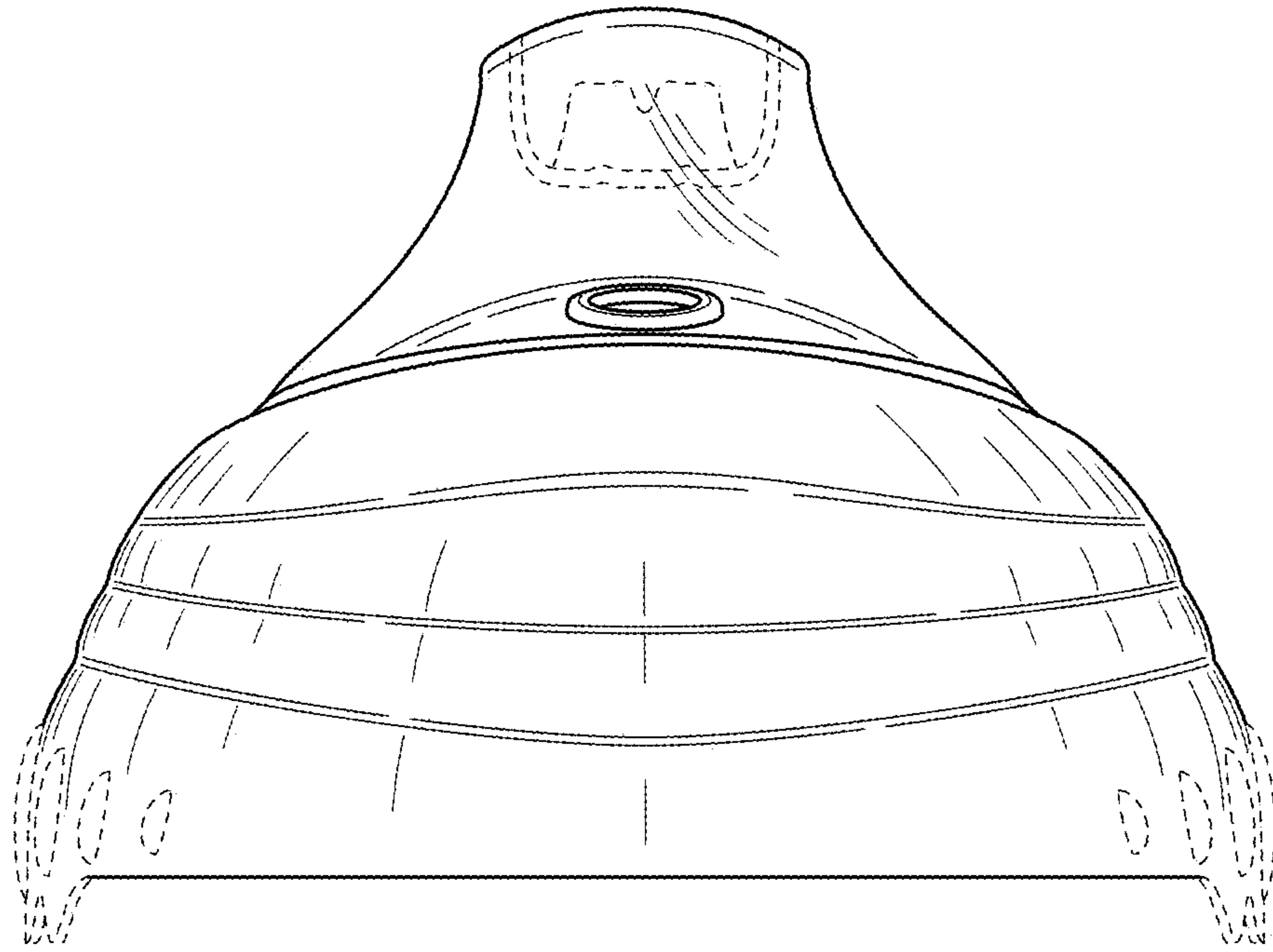




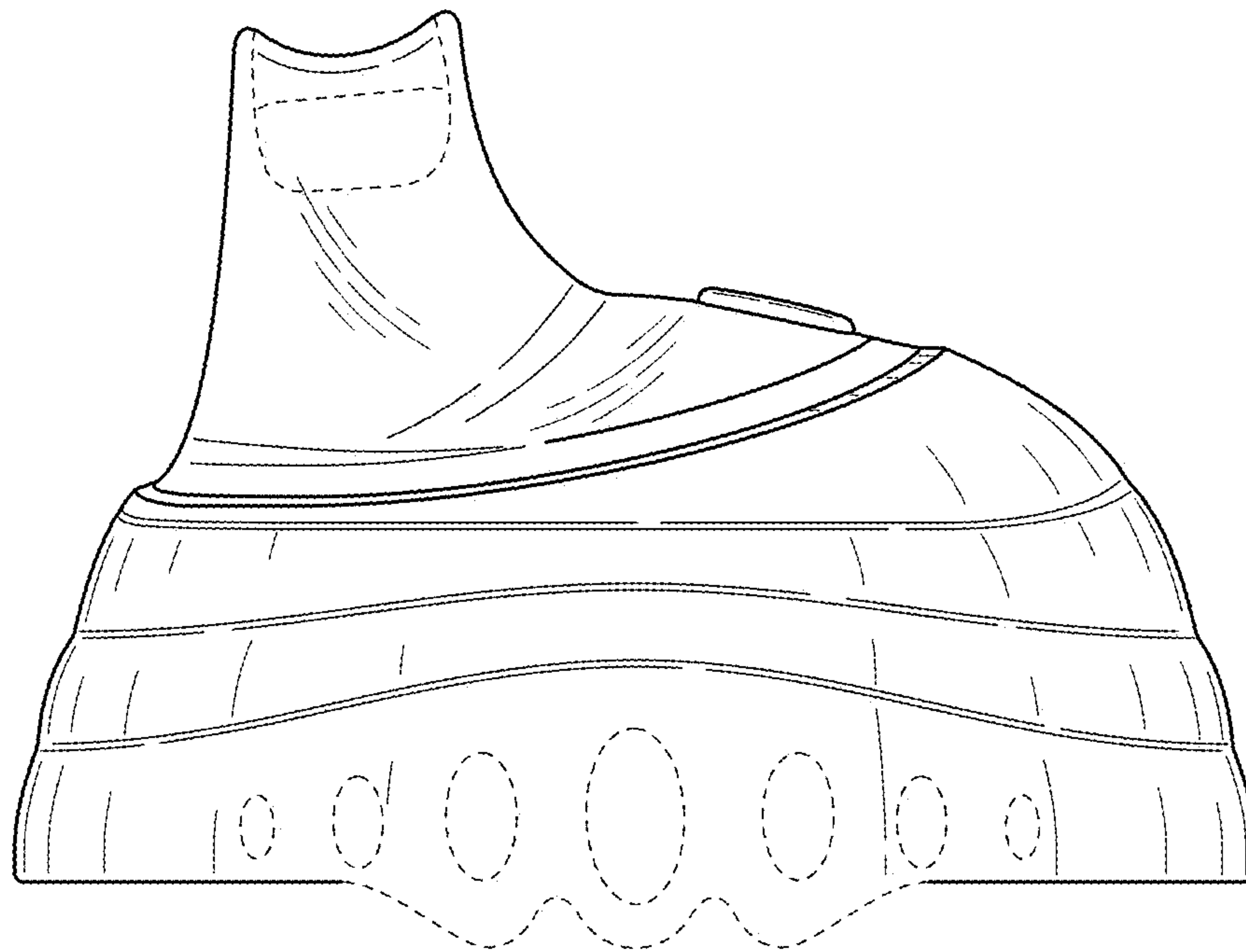
**FIG. 1**



**FIG. 2**



**FIG. 3**



**FIG. 4**



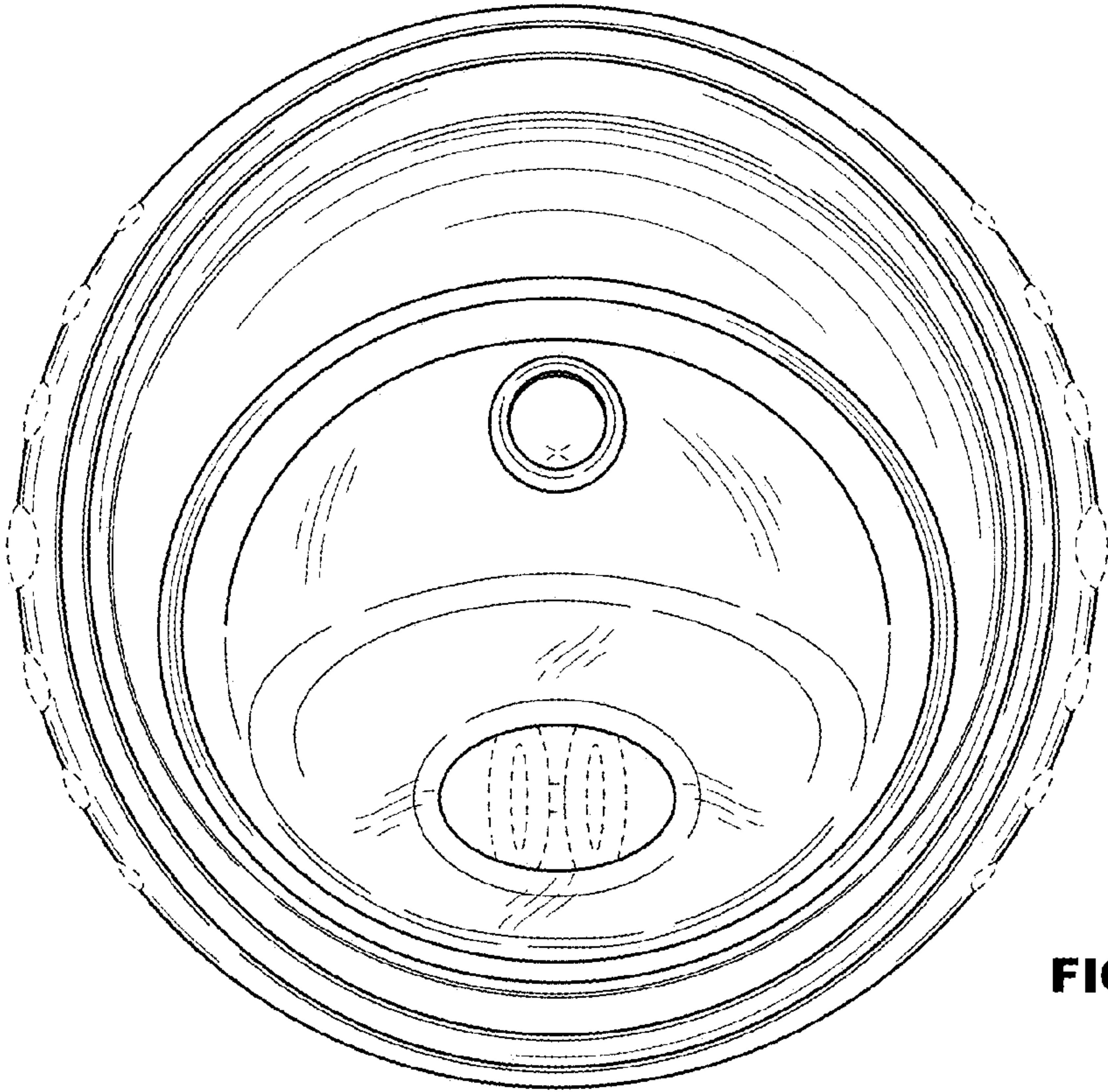


FIG. 5

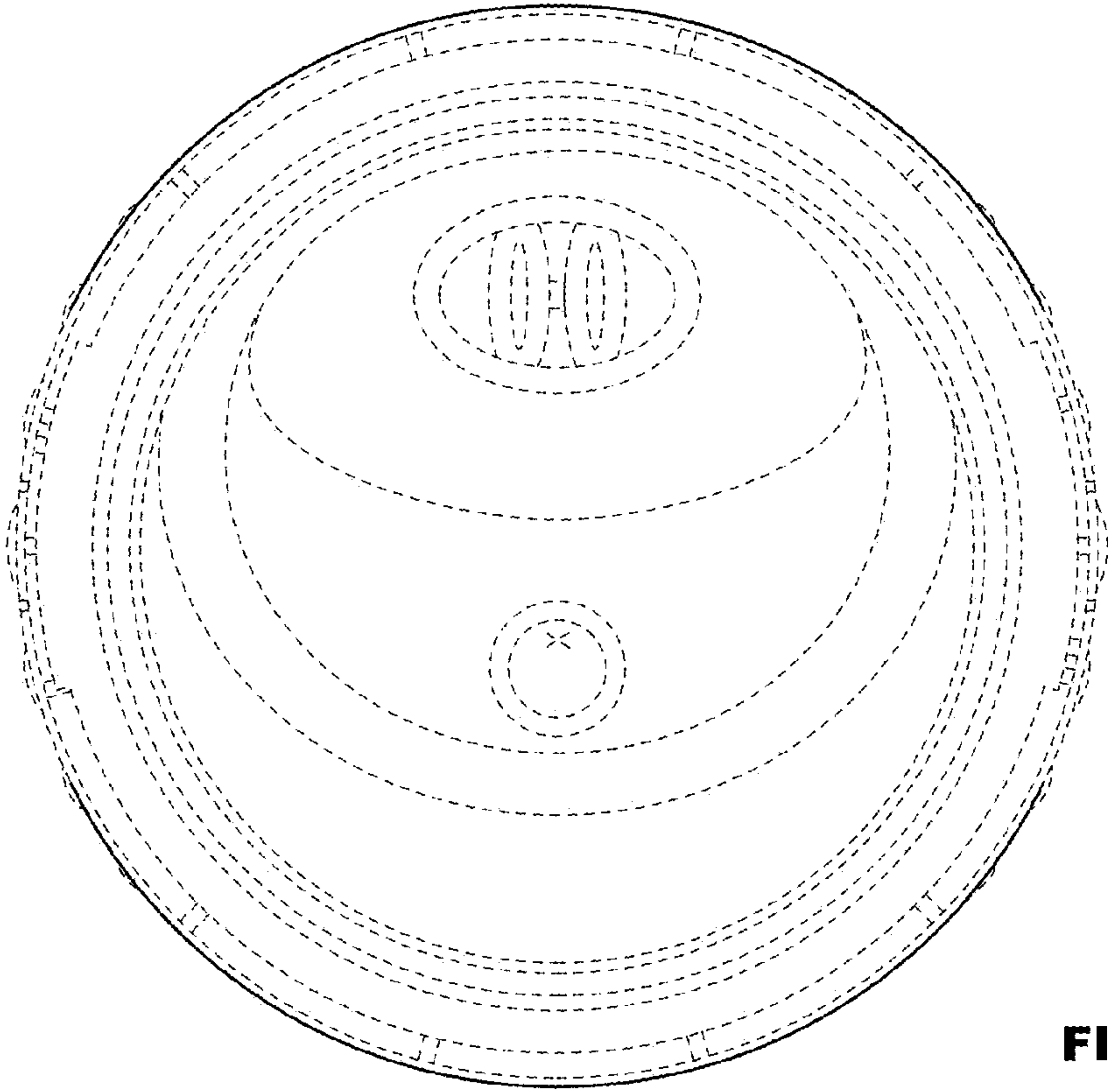


FIG. 6