



US00D721913S

(12) **United States Design Patent**
Hoobler

(10) **Patent No.:** **US D721,913 S**

(45) **Date of Patent:** **** Feb. 3, 2015**

- (54) **SERVING UTENSIL HANDLE**
- (71) Applicant: **Sherry Hoobler**, Stoneboro, PA (US)
- (72) Inventor: **Sherry Hoobler**, Stoneboro, PA (US)
- (**) Term: **14 Years**
- (21) Appl. No.: **29/454,453**
- (22) Filed: **May 10, 2013**
- (51) **LOC (10) Cl.** **07-02**
- (52) **U.S. Cl.**
USPC **D7/395**
- (58) **Field of Classification Search**
USPC D7/354-361, 393-395, 401.2, 664, 688,
D7/691, 692, 693; D8/107, 300, 303, 307,
D8/313, 321; D4/138, 129; 16/421, 430,
16/431, 110.1, 407; 220/573.1-573.5,
220/752, 753, 755, 756, 759, 767, 771, 912
See application file for complete search history.

- D520,296 S * 5/2006 Brownell D7/395
- D578,826 S * 10/2008 Lu D7/395
- D629,649 S * 12/2010 Barber D7/401.2
- 8,161,591 B2 4/2012 Gatzemeyer et al.
- D679,941 S * 4/2013 Sigel D7/395
- 2004/0139569 A1 7/2004 Chen
- 2009/0106942 A1 4/2009 Dell'Orfano
- 2012/0159794 A1 6/2012 Vogel

* cited by examiner

Primary Examiner — Cynthia M Chin

(74) *Attorney, Agent, or Firm* — Buchanan Ingersoll & Rooney PC

(57) **CLAIM**

The ornamental design for a serving utensil handle, as shown and described.

DESCRIPTION

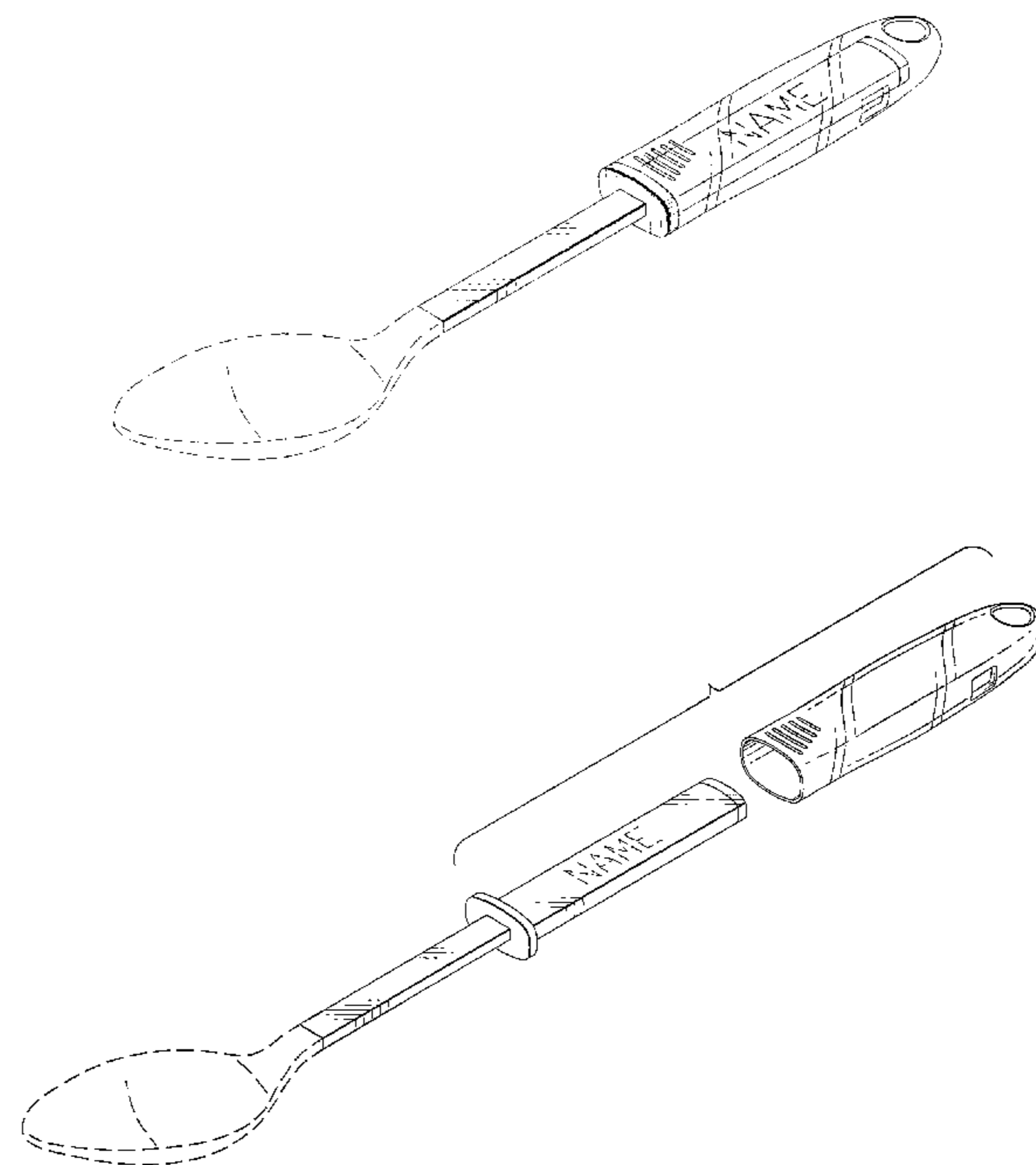
FIG. 1 is a top perspective view of my serving utensil handle; FIG. 2 is a front view thereof; FIG. 3 is a rear view thereof; FIG. 4 is a top view thereof; FIG. 5 is a left side view thereof, the right side view being a mirror image of the left side view; FIG. 6 is a bottom view thereof; and, FIG. 7 is a perspective view similar to FIG. 1 showing the removable handle cover separated from the handle body. FIGS. 2 and 3 have been enlarged to show the details. The spoon end shown in broken line in the drawings and the word "NAME" shown in broken line in FIGS. 1, 4, 6 and 7 form no part of the claimed design. The removable handle cover is shaded to indicate that it is transparent.

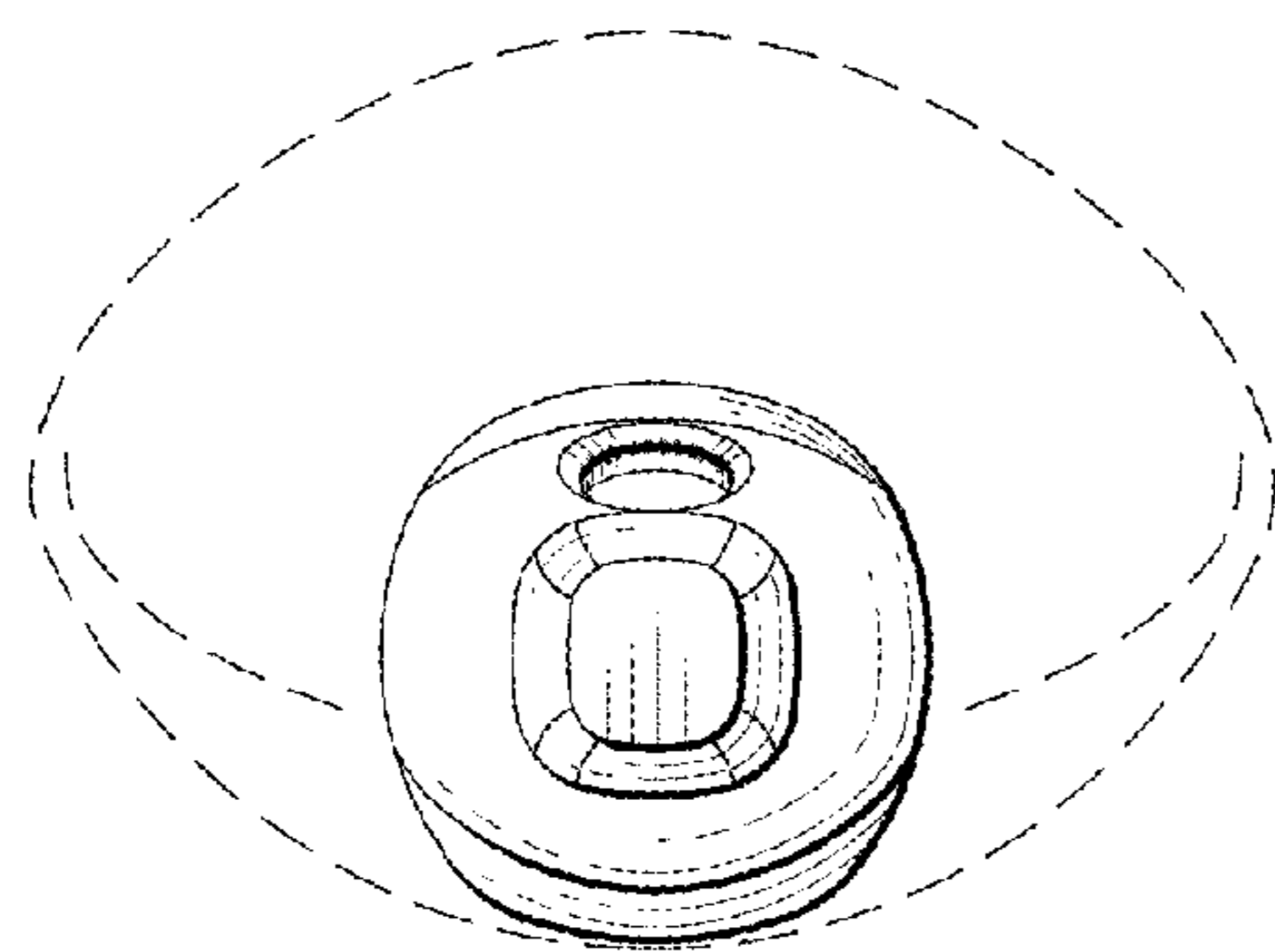
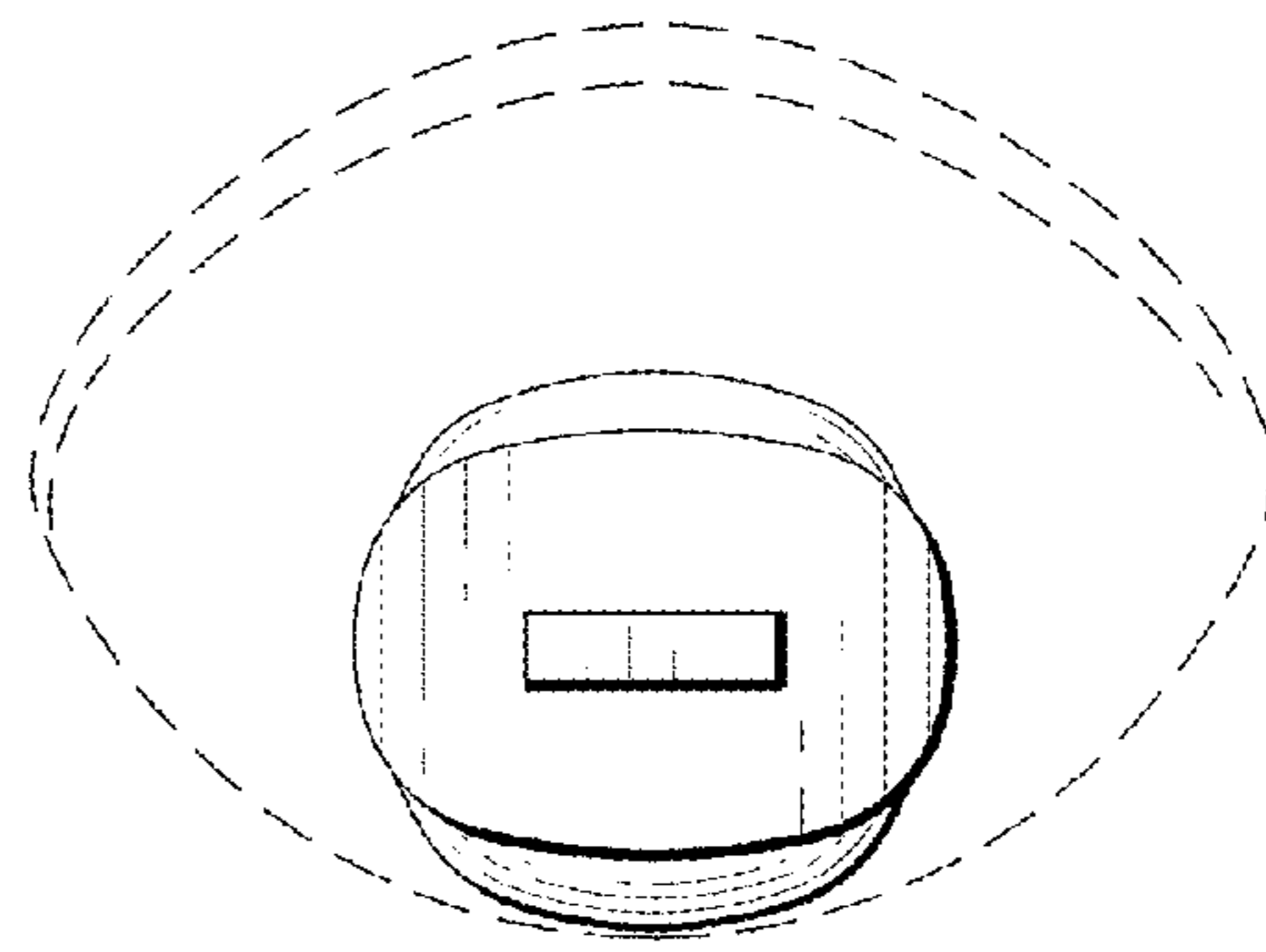
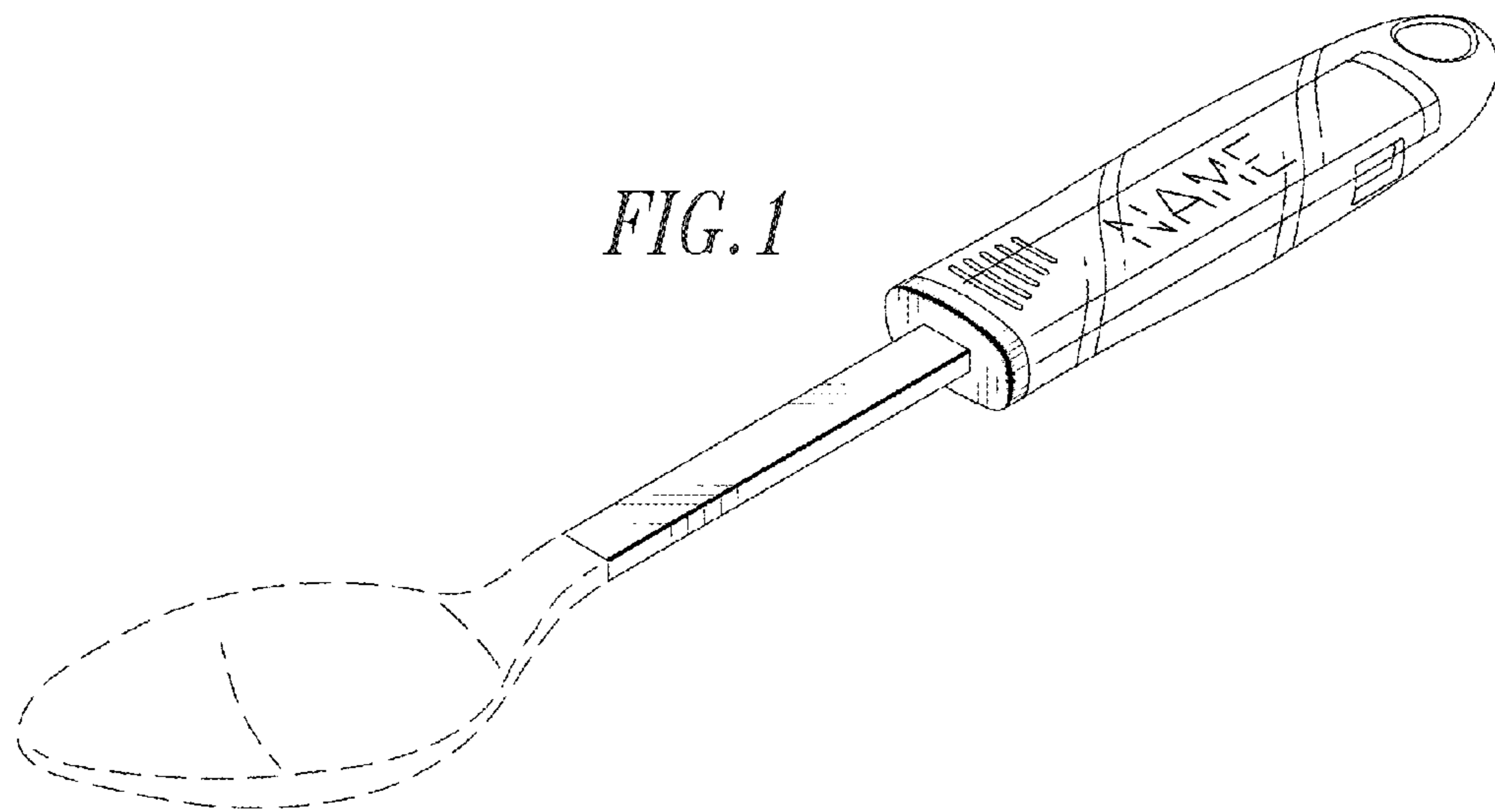
1 Claim, 3 Drawing Sheets

(56) **References Cited**

U.S. PATENT DOCUMENTS

- 2,127,163 A 8/1938 Davis
- 2,142,137 A 1/1939 Leary
- 2,187,192 A 1/1940 Albrecht
- 2,489,707 A 11/1949 Eubanks
- 2,496,707 A 2/1950 Frye
- D304,406 S * 11/1989 Ancona et al. D7/395
- D377,135 S * 1/1997 Ancona et al. D7/401.2
- 5,933,918 A 8/1999 Wallays
- D427,044 S * 6/2000 White et al. D8/107
- D509,991 S * 9/2005 Costello et al. D7/395





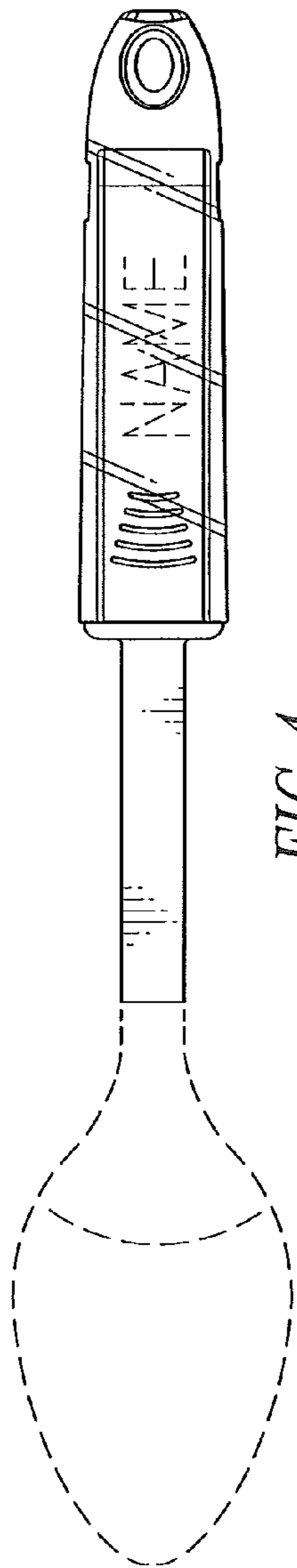


FIG. 4

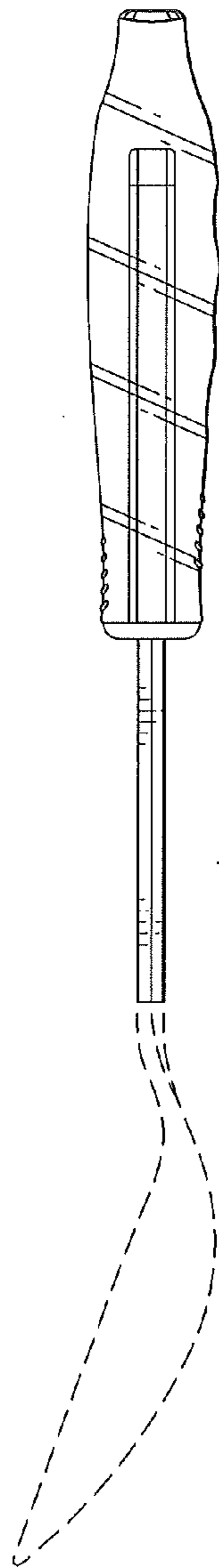


FIG. 5

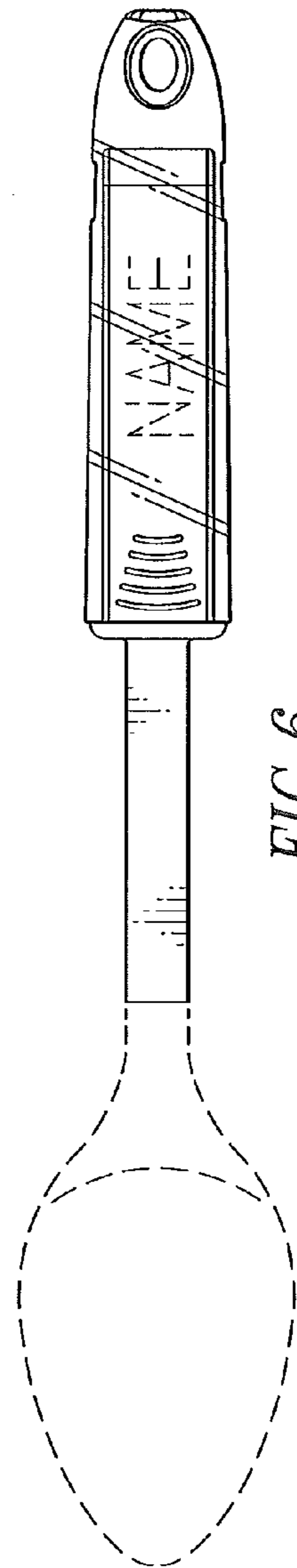


FIG. 6

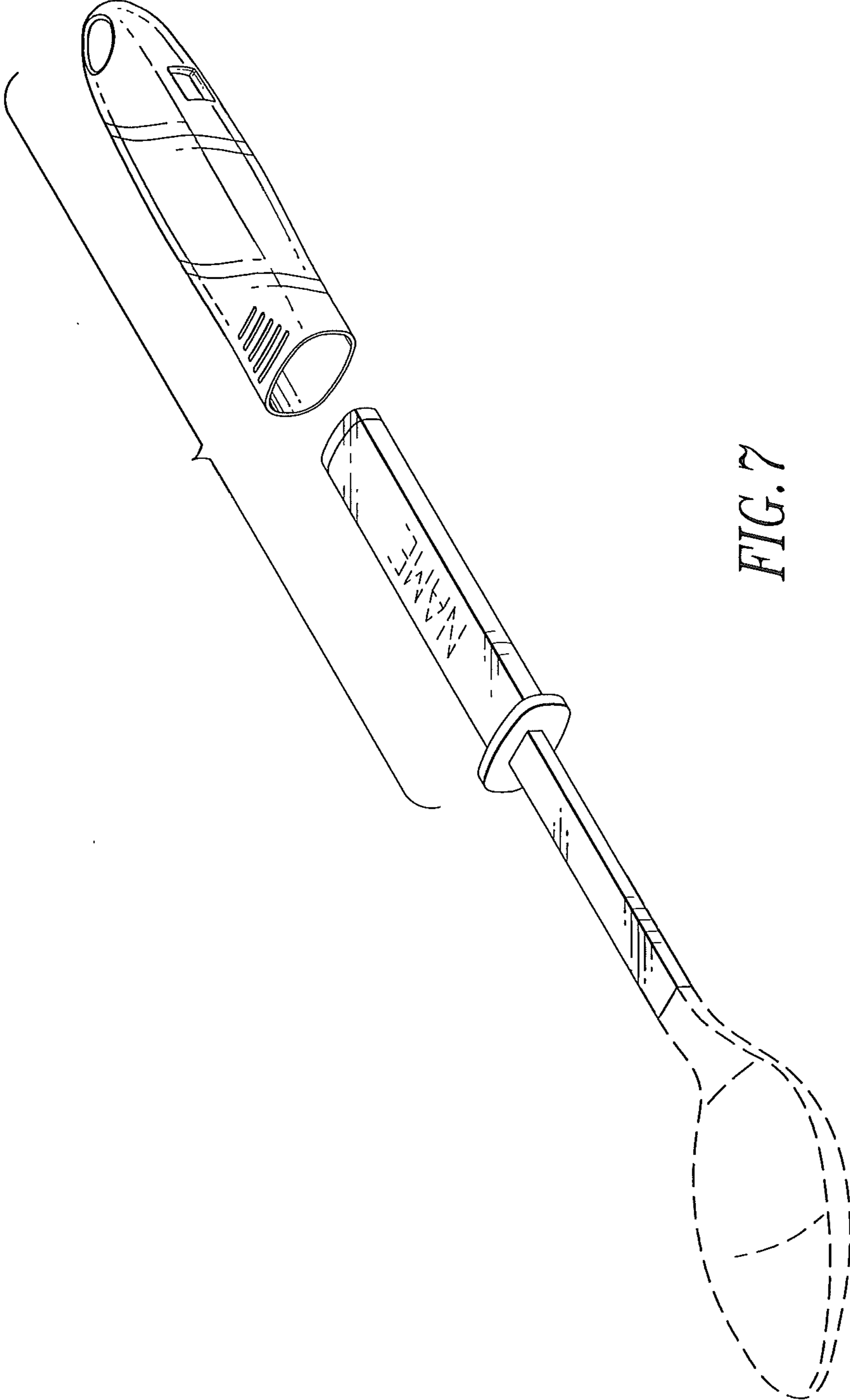


FIG. 7