

US00D721912S

(12) **United States Design Patent**
Boroski

(10) **Patent No.:** **US D721,912 S**
(45) **Date of Patent:** **** Feb. 3, 2015**

(54) **LID WITH FLAT TOP AND CAPTIVE CLOSURE FOR USE WITH DRINK BOTTLE**

D614,918 S 5/2010 Chisholm
D619,001 S 7/2010 McKinney
D644,489 S 9/2011 Trombly

(Continued)

(71) Applicant: **Thermos L.L.C.**, Schaumburg, IL (US)

OTHER PUBLICATIONS

(72) Inventor: **Dwayne Boroski**, Lake in the Hills, IL (US)

“Wide-Mouth Loop-Top Lid.” amazon.com. Web. May 31, 2010.*
(Continued)

(73) Assignee: **Thermos L.L.C.**, Schaumburg, IL (US)

(**) Term: **14 Years**

Primary Examiner — George D Kirschbaum
Assistant Examiner — Kendra L Hamilton
(74) *Attorney, Agent, or Firm* — Polsinelli PC

(21) Appl. No.: **29/455,475**

(22) Filed: **May 21, 2013**

(51) **LOC (10) Cl.** **09-07**

(52) **U.S. Cl.**
USPC **D7/392.1**

(58) **Field of Classification Search**
USPC D7/392, 391, 392.1, 397, 399, 319, 629,
D7/323, 509-511, 393, 396.2; D23/207,
D23/209; 22/465.1, 475.1
See application file for complete search history.

(57) **CLAIM**

The ornamental design of the lid with flat top and captive closure for use with drink bottle, as shown and described.

DESCRIPTION

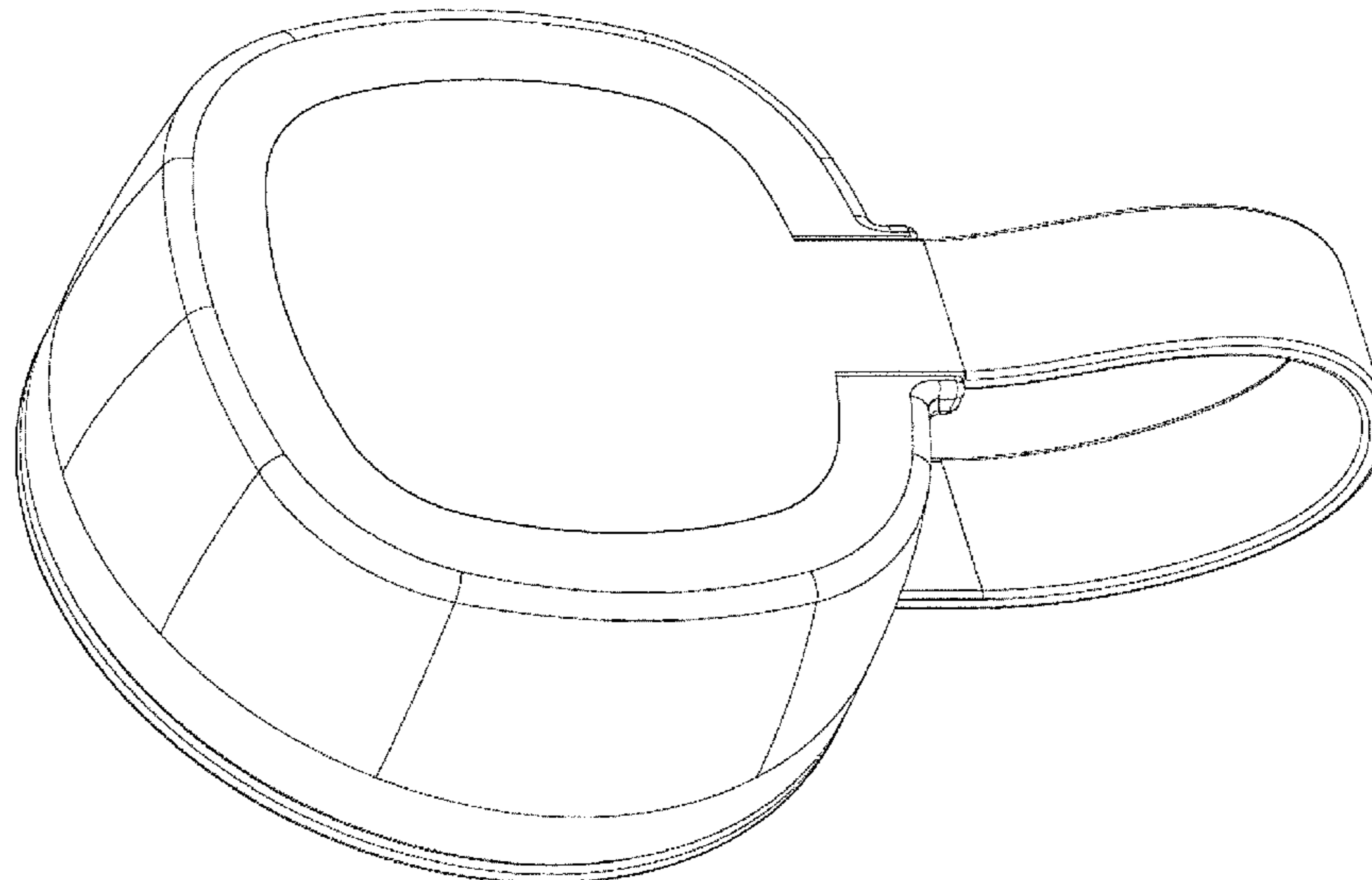
FIG. 1 is a perspective view taken from the upper, front, right-hand side of the lid with flat top and captive closure for use with drink bottle of the present invention;
FIG. 2 is a perspective view taken from the lower, front, left-hand side of the lid with flat top and captive closure for use with drink bottle of FIG. 1;
FIG. 3 is a front elevational view of the lid with flat top and captive closure for use with drink bottle of FIG. 1;
FIG. 4 is a side elevational view of the right side of the lid with flat top and captive closure for use with drink bottle of FIG. 1;
FIG. 5 is a back elevational view of the lid with flat top and captive closure for use with drink bottle of FIG. 1;
FIG. 6 is a side elevational view of the left side of the lid with flat top and captive closure for use with drink bottle of FIG. 1;
FIG. 7 is a top plan view of the lid with flat top and captive closure for use with drink bottle of FIG. 1; and,
FIG. 8 is a bottom plan view of the lid with flat top and captive closure for use with drink bottle of FIG. 1.

(56) **References Cited**

U.S. PATENT DOCUMENTS

D221,886 S *	9/1971	Gruett	D15/150
D324,822 S	3/1992	Brabeck et al.		
D364,810 S *	12/1995	Meisner	D9/446
D373,706 S *	9/1996	Gregg	D7/511
D391,448 S	3/1998	Winer et al.		
D417,590 S	12/1999	Kato		
D501,362 S *	2/2005	Gauss	D7/510
D512,874 S *	12/2005	Poulson et al.	D7/510
D528,910 S	9/2006	Kingsley		
D536,929 S *	2/2007	Kingsley	D7/510
D537,676 S	3/2007	Kingsley		
D572,078 S *	7/2008	Bhavnani	D7/392.1
D596,458 S	7/2009	McKinney		
D609,969 S	2/2010	McKinney		

1 Claim, 8 Drawing Sheets



(56)

References Cited

U.S. PATENT DOCUMENTS

D650,629 S * 12/2011 Gilbert D7/392.1
D651,044 S * 12/2011 Gilbert D7/510
D657,629 S 4/2012 Olson et al.
D660,648 S 5/2012 Gilbert
8,245,870 B2 8/2012 McKinney et al.
D680,805 S * 4/2013 Rosbach D7/392.1

D693,650 S * 11/2013 De Leo D7/629
2005/0023238 A1* 2/2005 Wong 215/252

OTHER PUBLICATIONS

Humangear Cap Water Bottle Lid. amazon.com Web. May 4, 2009.
U.S. Appl. No. 29/455,469 patent application filed May 21, 2013 (10
pages).

* cited by examiner

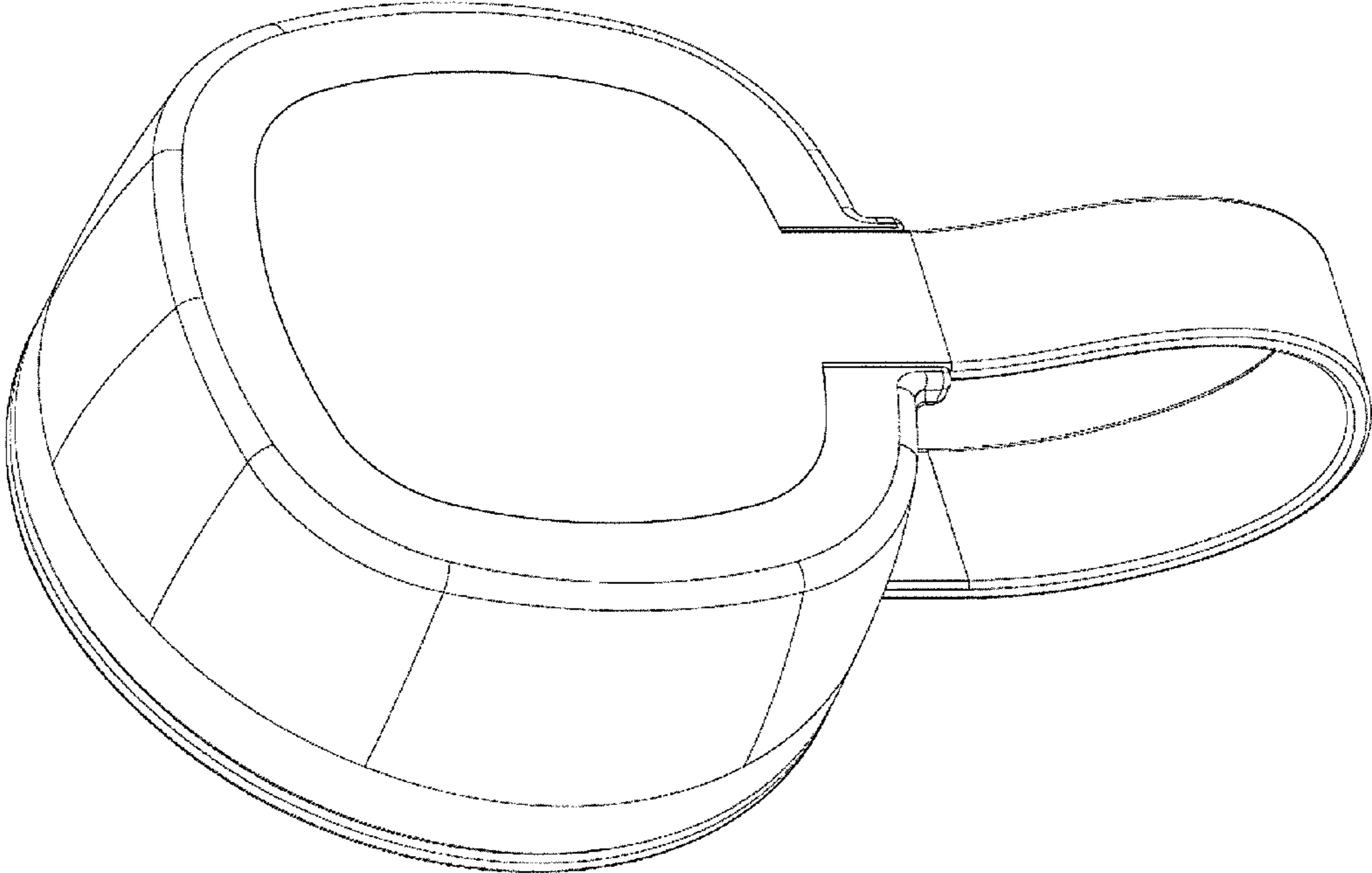


Figure 1

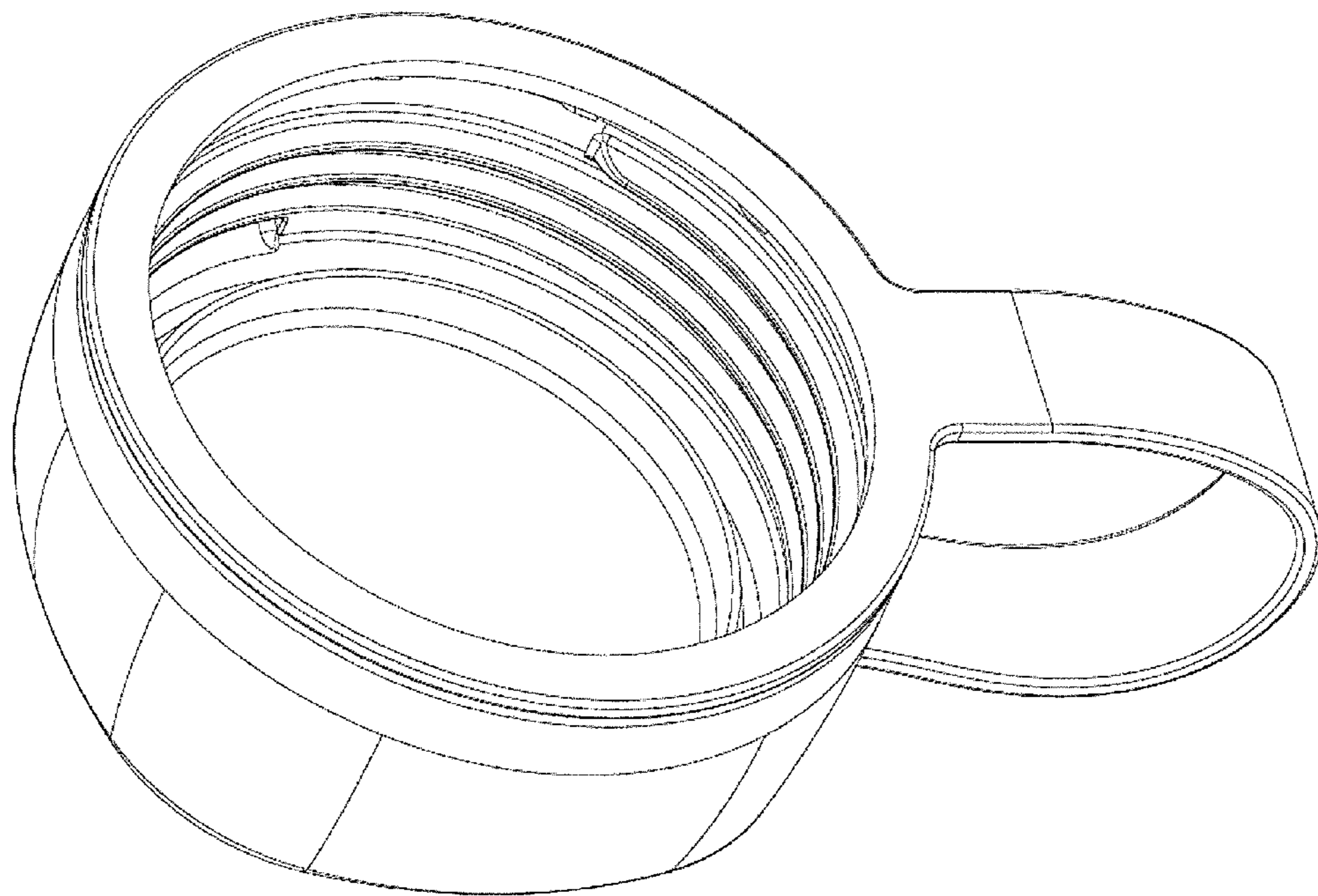


Figure 2

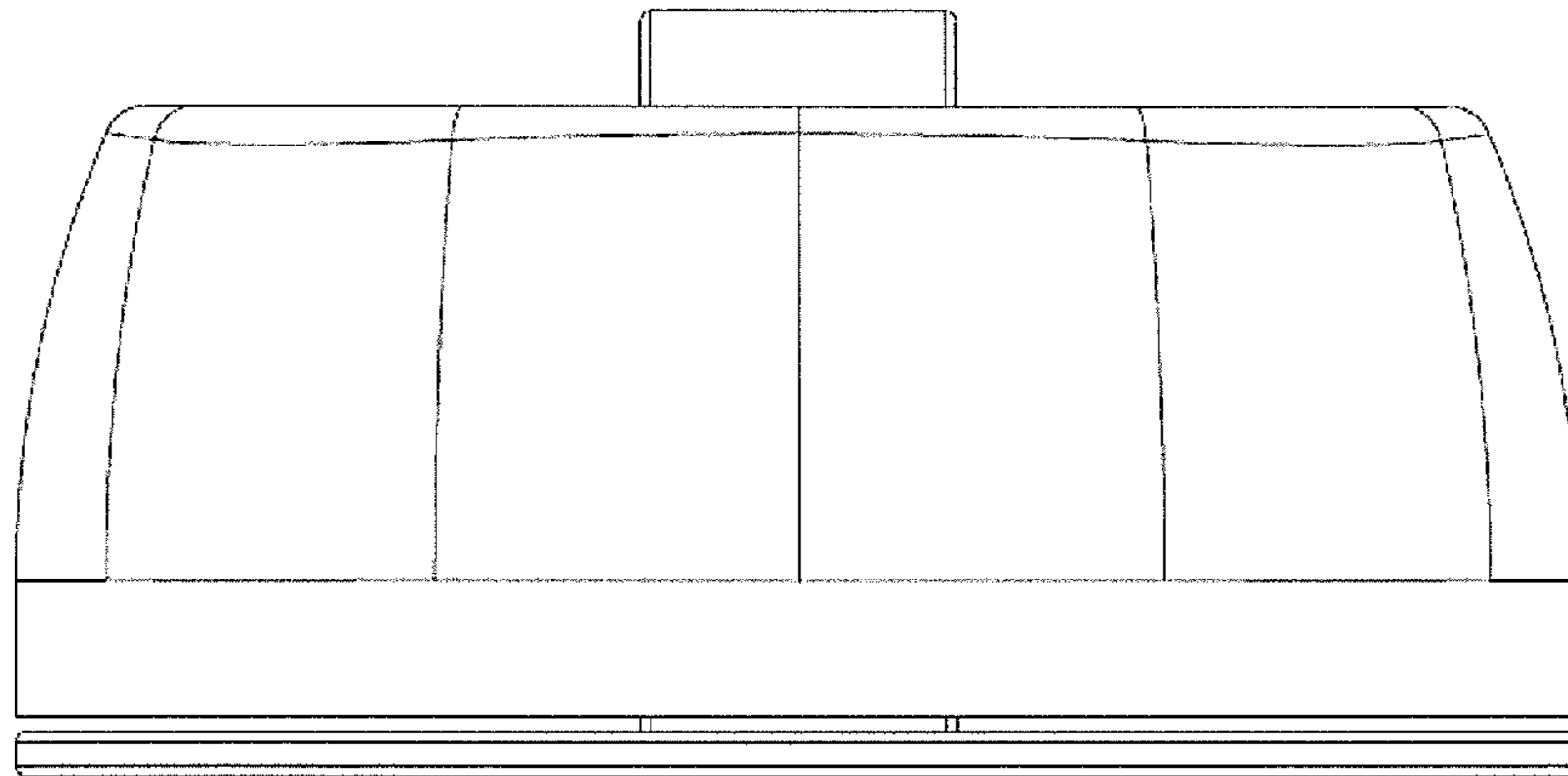


Figure 3

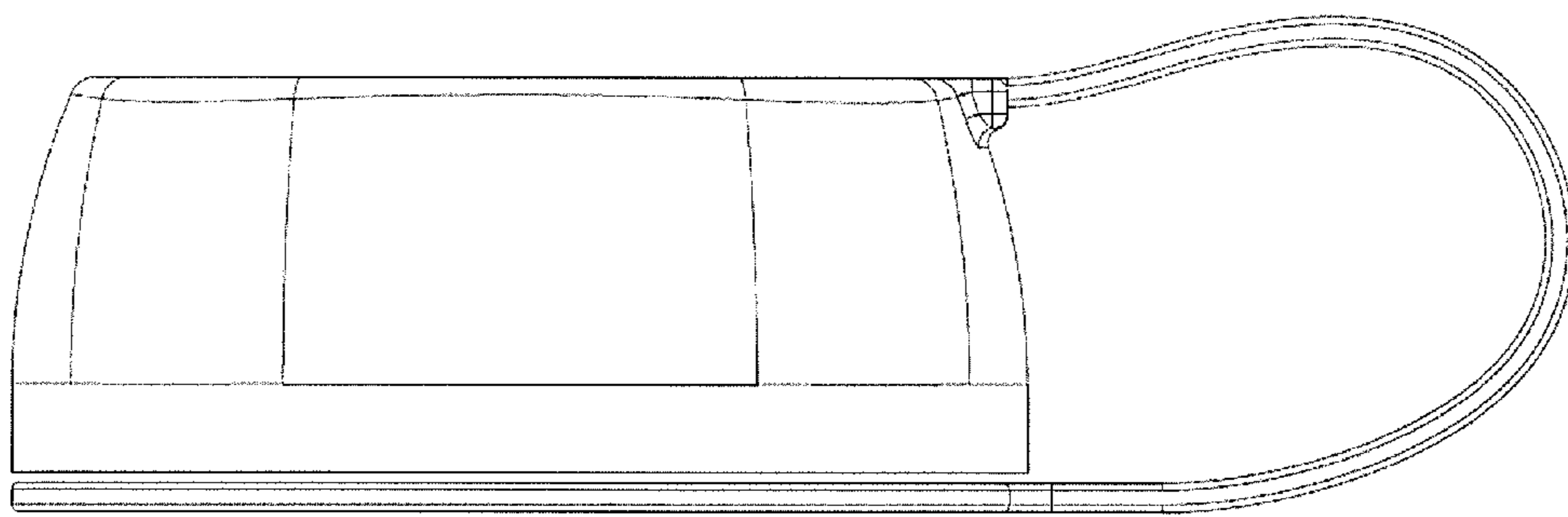


Figure 4

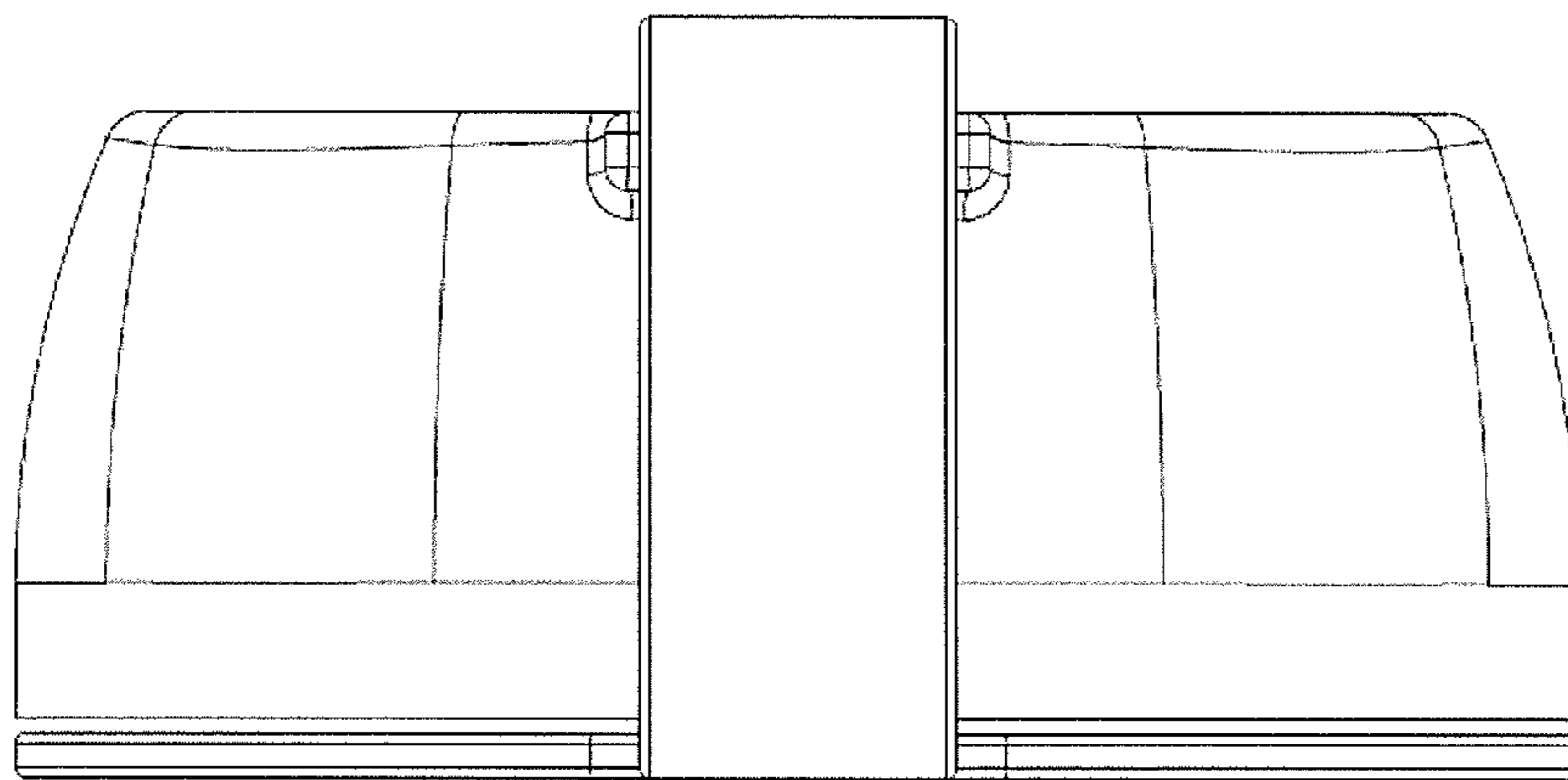


Figure 5

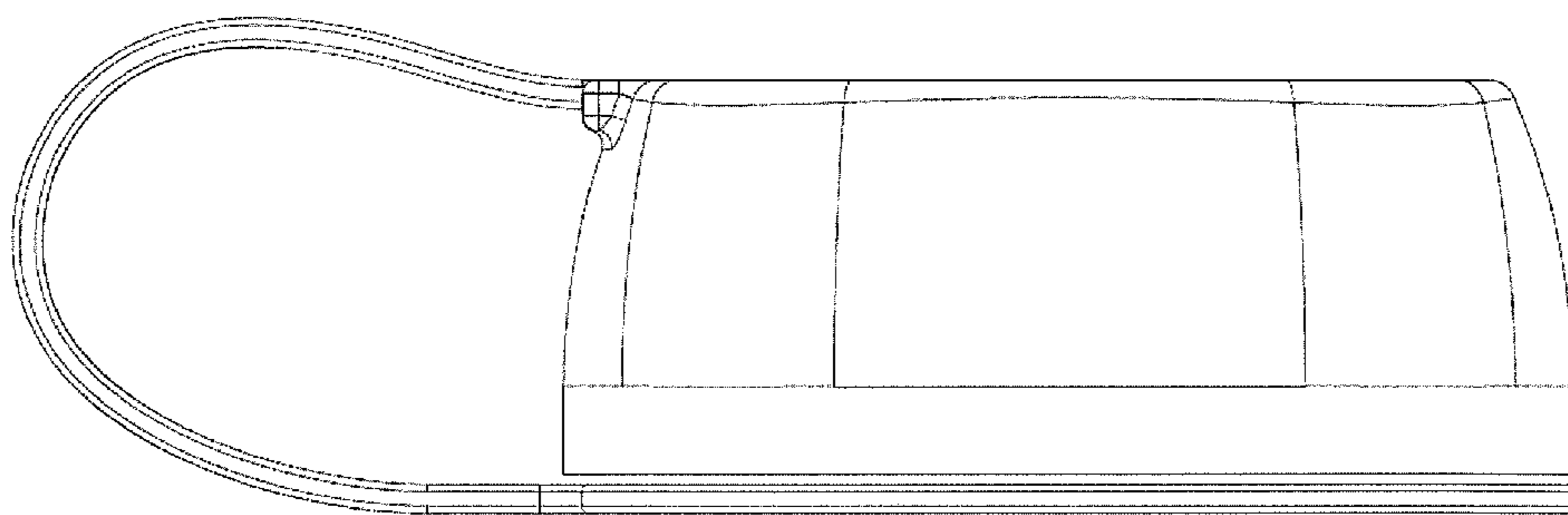


Figure 6

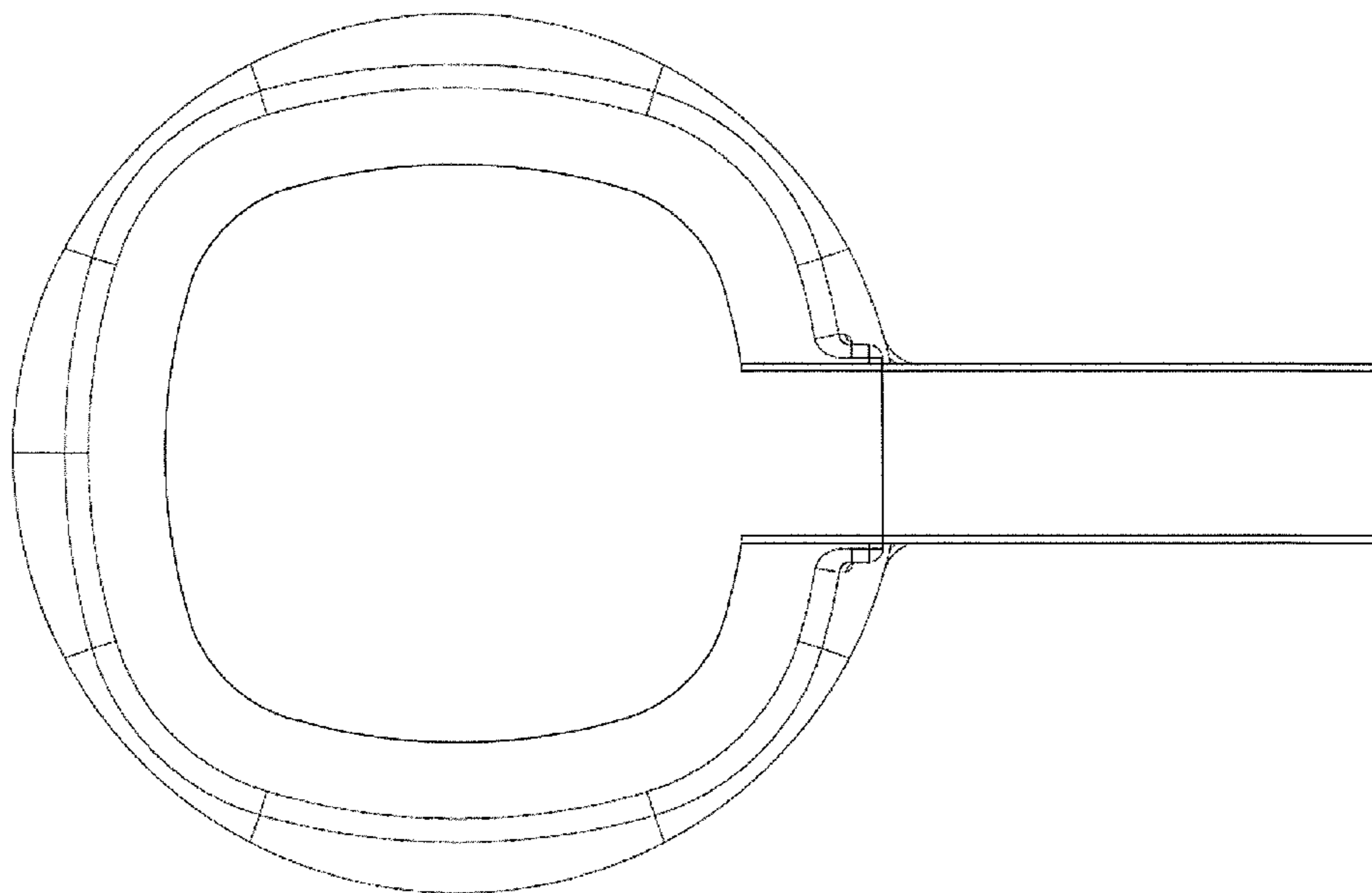


Figure 7

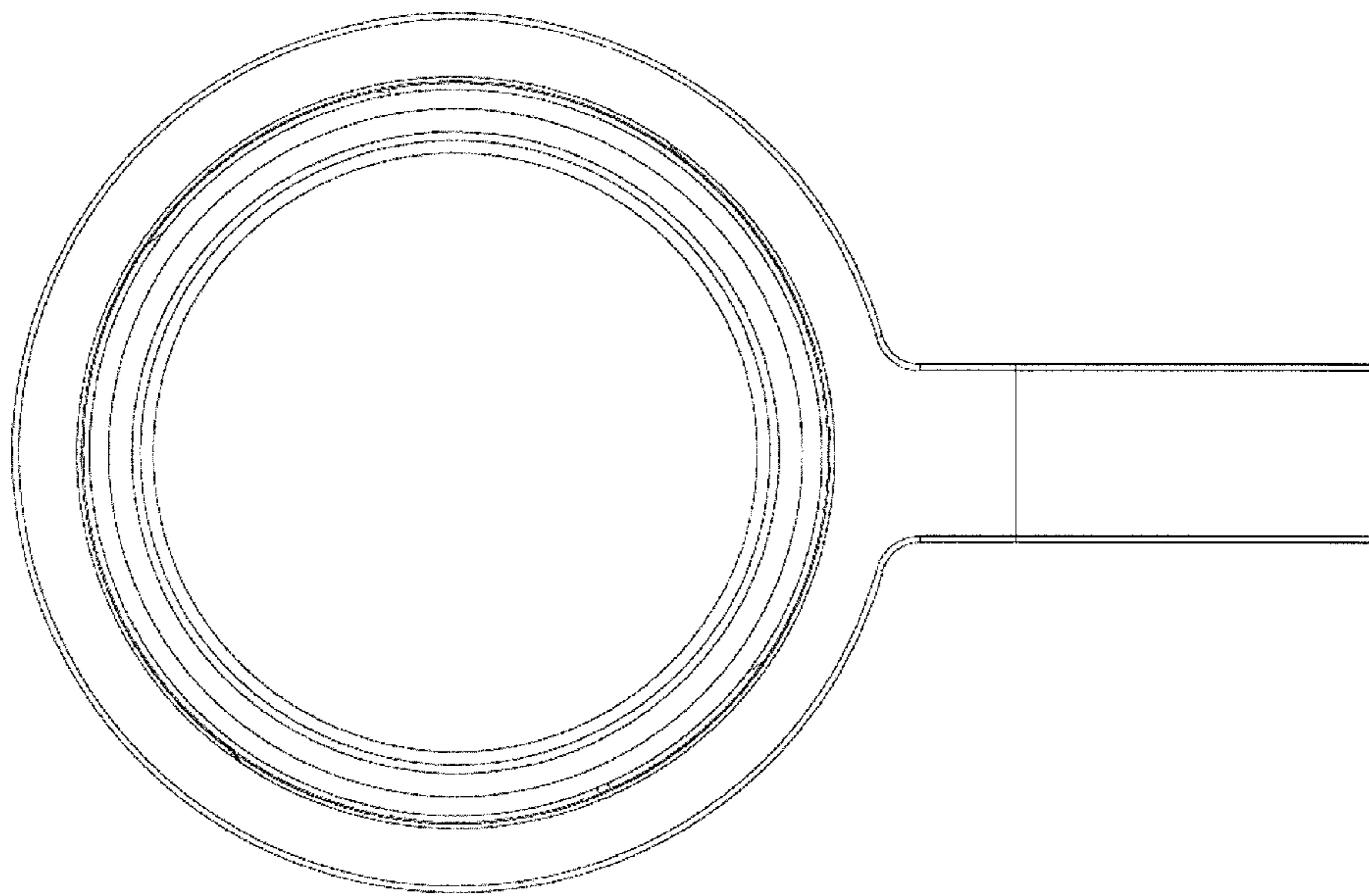


Figure 8