



US00D721909S

(12) **United States Design Patent**
Huang et al.

(10) **Patent No.:** **US D721,909 S**
(45) **Date of Patent:** **** Feb. 3, 2015**

(54) **TABLE**

- (71) Applicant: **Target Brands, Inc.**, Minneapolis, MN (US)
- (72) Inventors: **Daiying Huang**, Medina, MN (US);
Joshua A. Hughes, Delano, MN (US);
Ann M. Healy, Minneapolis, MN (US);
Amy M. Boll-Wilson, Eagan, MN (US);
Joel W. Mulholland, St. Paul, MN (US)
- (73) Assignee: **Target Brands, Inc.**, Minneapolis, MN (US)

(**) Term: **14 Years**

(21) Appl. No.: **29/457,206**

(22) Filed: **Jun. 7, 2013**

(51) **LOC (10) Cl.** **06-06**

(52) **U.S. Cl.**
USPC **D6/691.9**

(58) **Field of Classification Search**
USPC D6/691, 691.8, 691.9, 663, 655, 656;
108/153.1, 156, 157.1, 161; 248/188,
248/188.1, 164

See application file for complete search history.

(56) **References Cited**

U.S. PATENT DOCUMENTS

D355,996 S	3/1995	Lewis	
5,944,396 A *	8/1999	Stephan	312/204
D490,628 S	6/2004	Juneau et al.	
D496,804 S *	10/2004	Peterson et al.	D6/436
D513,371 S	1/2006	Juneau et al.	
D549,490 S	8/2007	Brimacombe et al.	
D588,833 S *	3/2009	LeTourneau	D6/432
D717,082 S *	11/2014	Dworman	D6/657

OTHER PUBLICATIONS

Sears, "Acme Corin espresso finish wood chair side end table with drawer and curved legs," <http://www.sears.com/acme-corin-espresso-finish-wood-chair-side-end/p-SPM7611316513?prdNo=15>, at least as early as Mar. 2013, 1 page.

Bellacor®, "Broadway Cherry accent Able," <http://www.bellacor.com/productdetail/broadway-cherry-accent-table-670297.htm>, at least as early as Mar. 2013, 1 page.

Houzz, "Onyx Finish Serving Tray/ Accent Table," <http://www.houzz.com/ideabooks/2120205/thumbs/www.houzz.com/ideabooks/2120205/list/Guest-Picks--Chic--Bold-Decor-For-Your-Small-Sitting-Room>, at least as early as Mar. 2013, 1 page.

* cited by examiner

Primary Examiner — Janice Seeger

(74) *Attorney, Agent, or Firm* — Leanne Taveggia Farrell; Westman, Champlin & Koehler, P.A.

(57) **CLAIM**

The ornamental design for a table, as shown and described.

DESCRIPTION

FIG. 1 is a perspective view of a table showing our new design;

FIG. 2 is a front view thereof;

FIG. 3 is a back view thereof;

FIG. 4 is a left side view thereof;

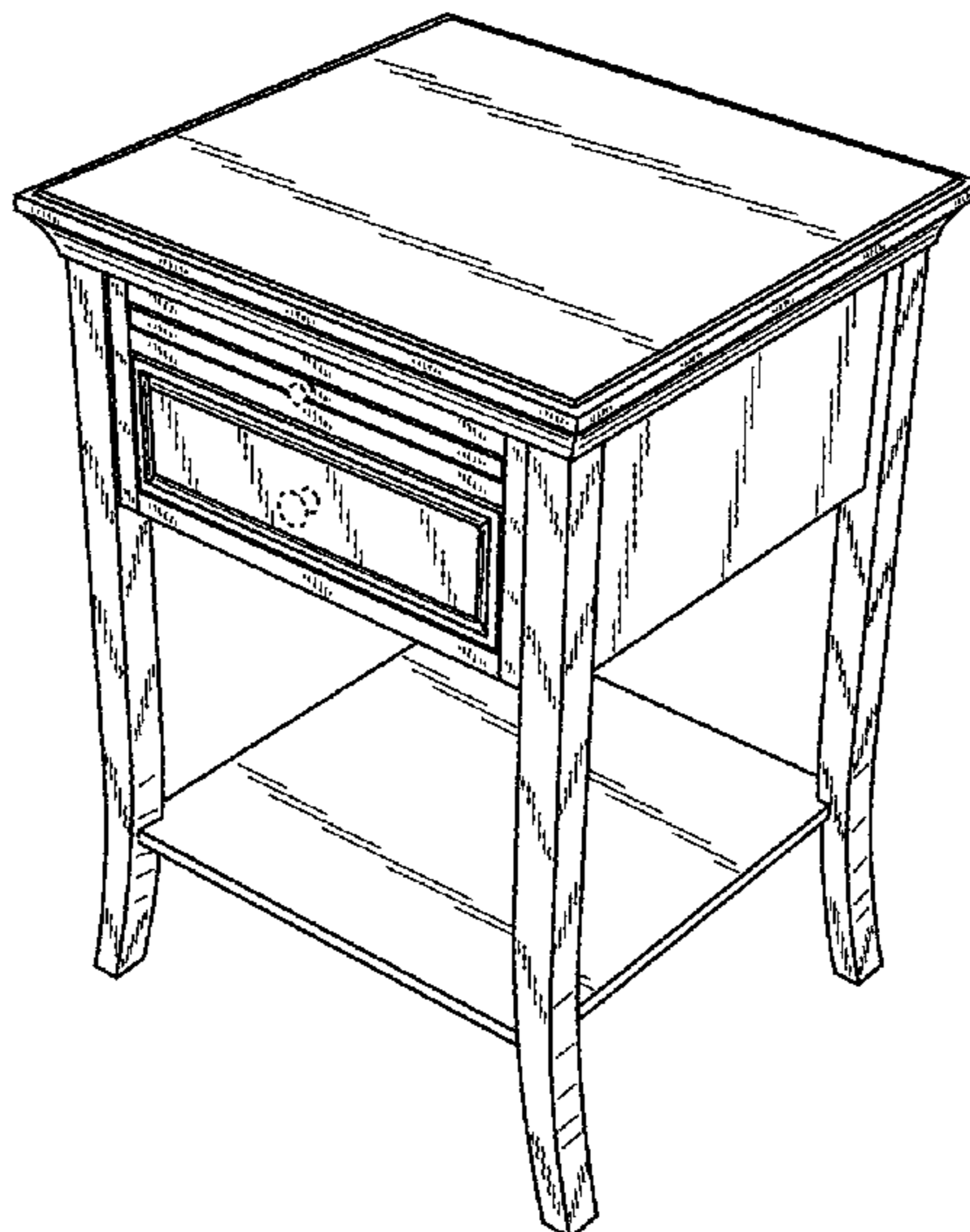
FIG. 5 is a right side view thereof;

FIG. 6 is a top view thereof; and,

FIG. 7 is a bottom view thereof.

The broken lines are for environmental purposes only and form no part of the claimed design.

1 Claim, 6 Drawing Sheets



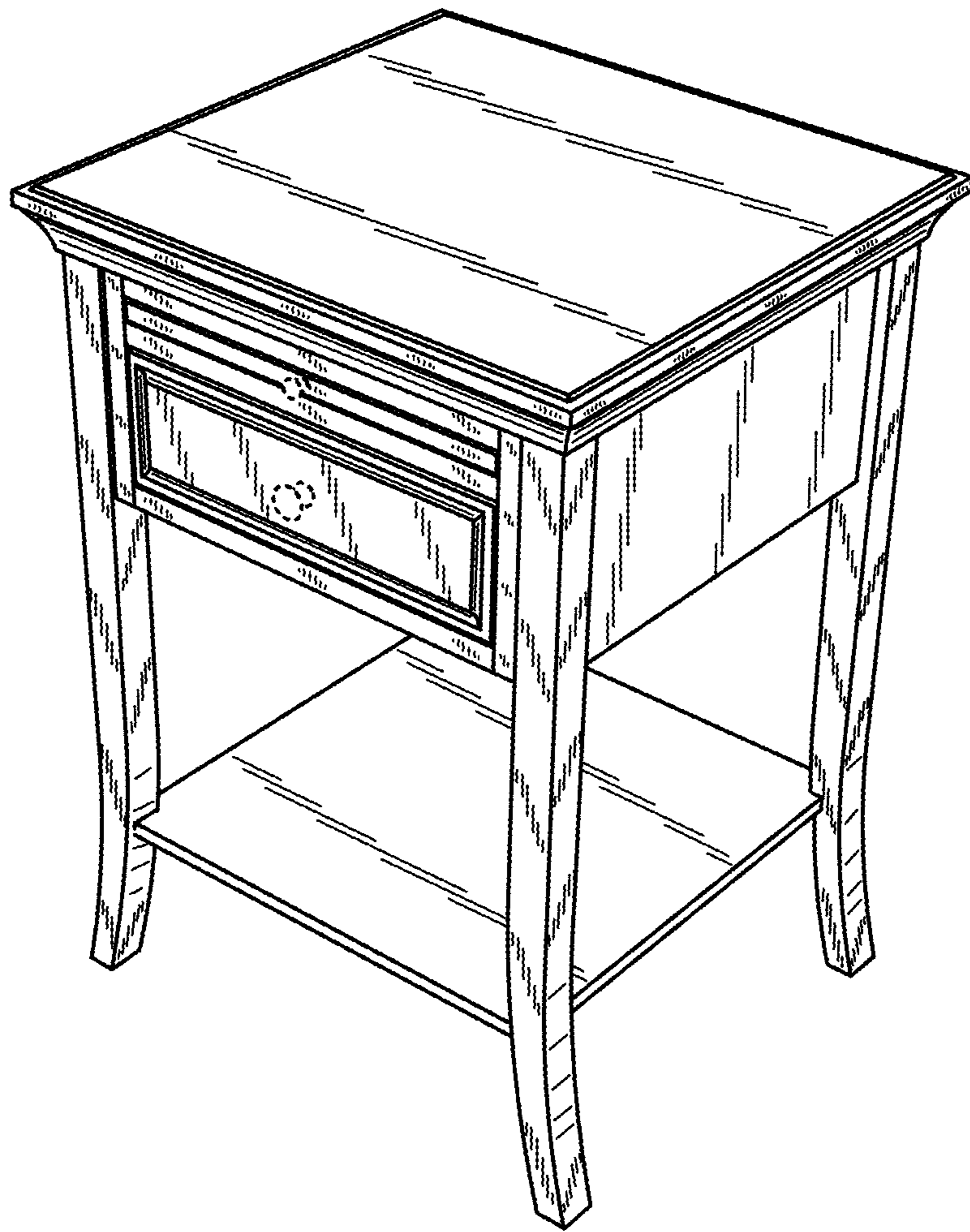


Fig. 1

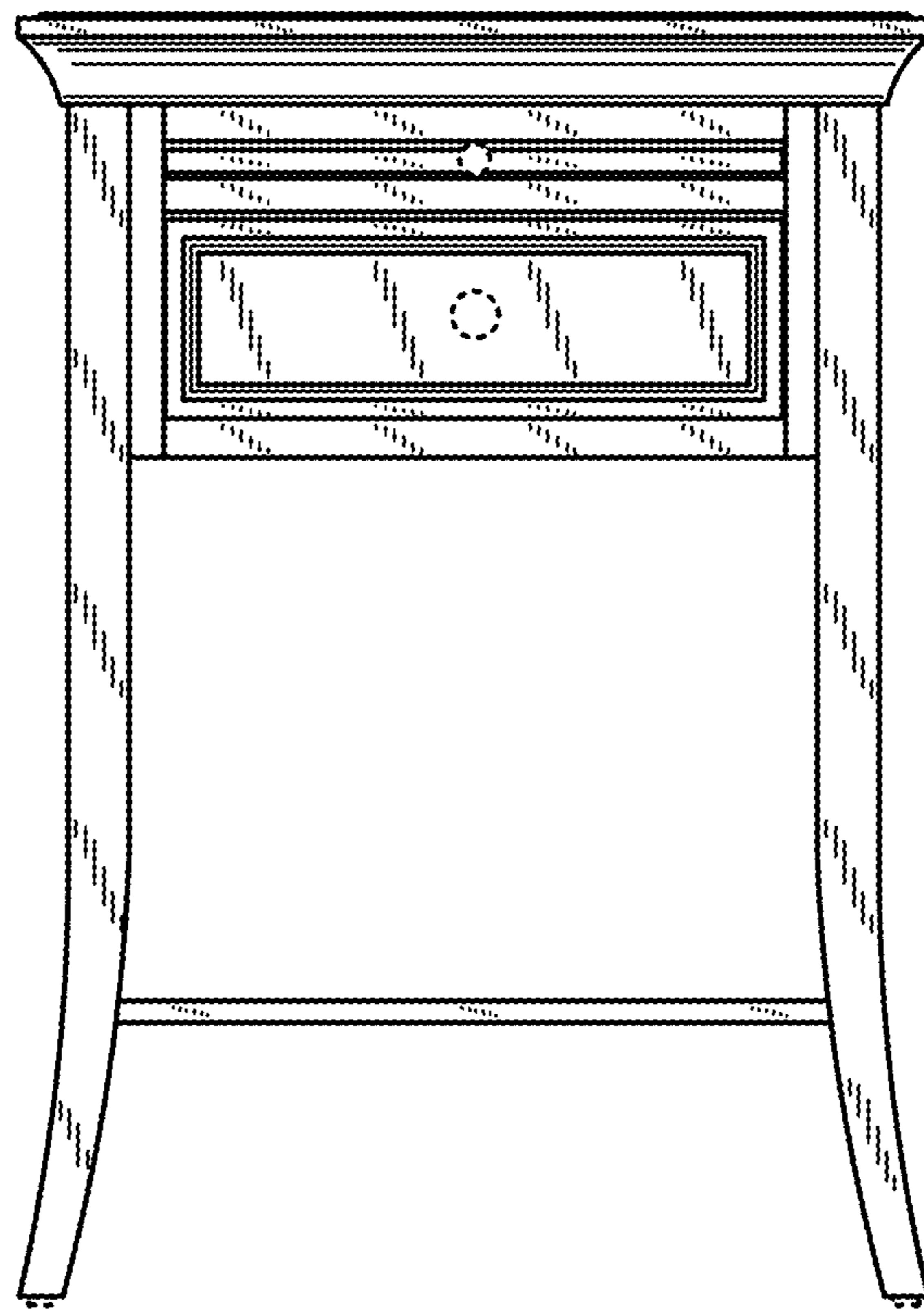


Fig. 2

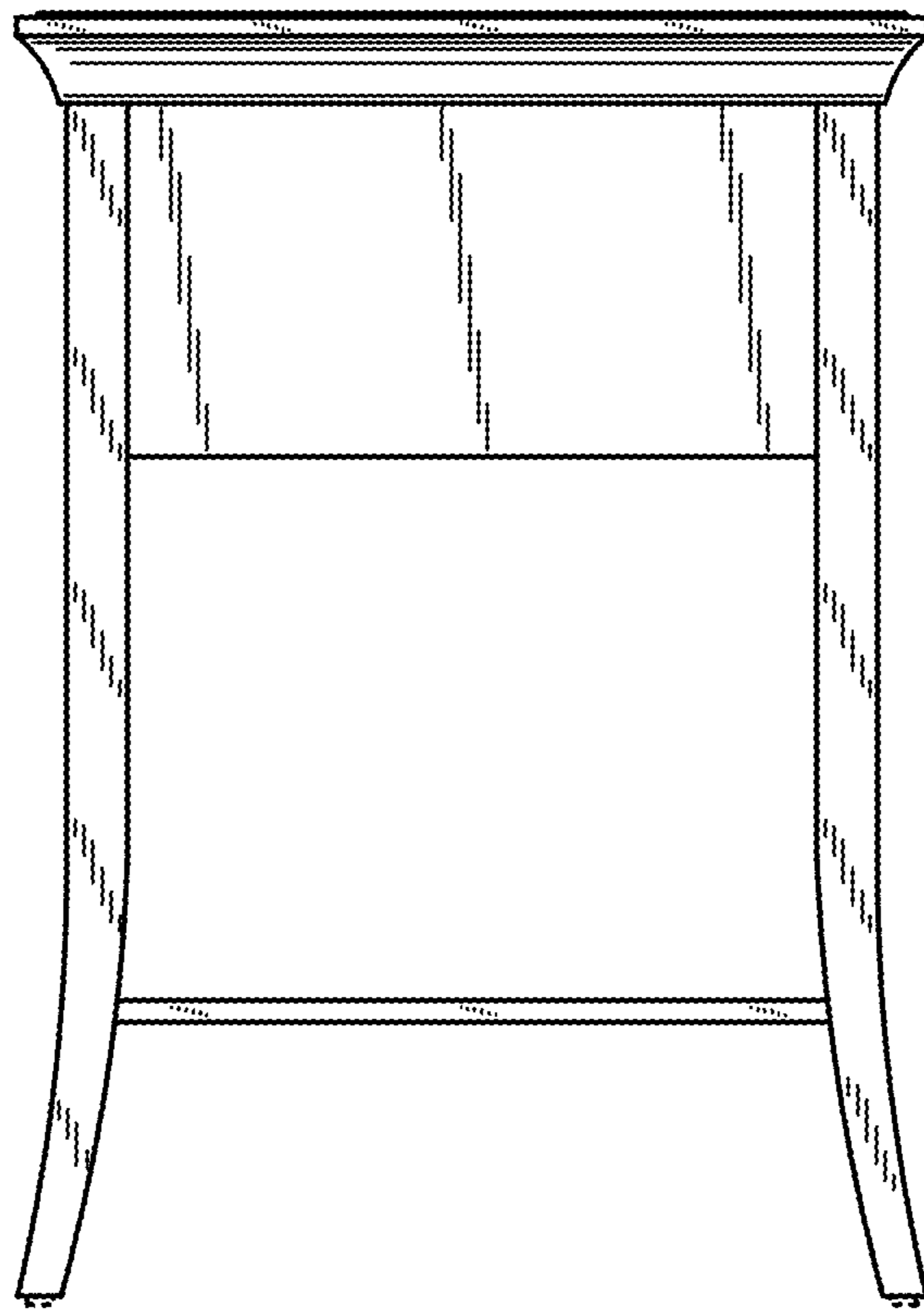


Fig. 3

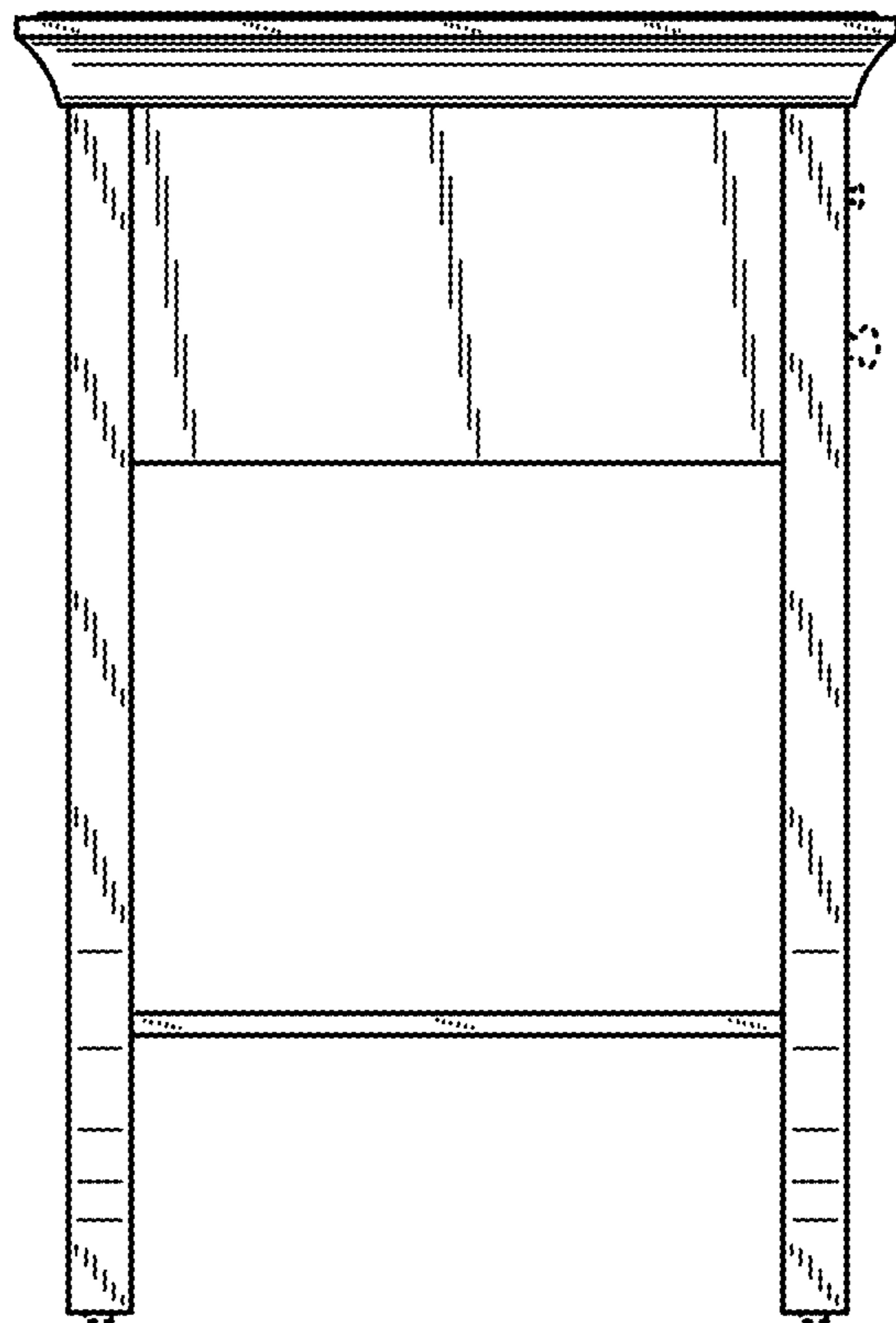


Fig. 4

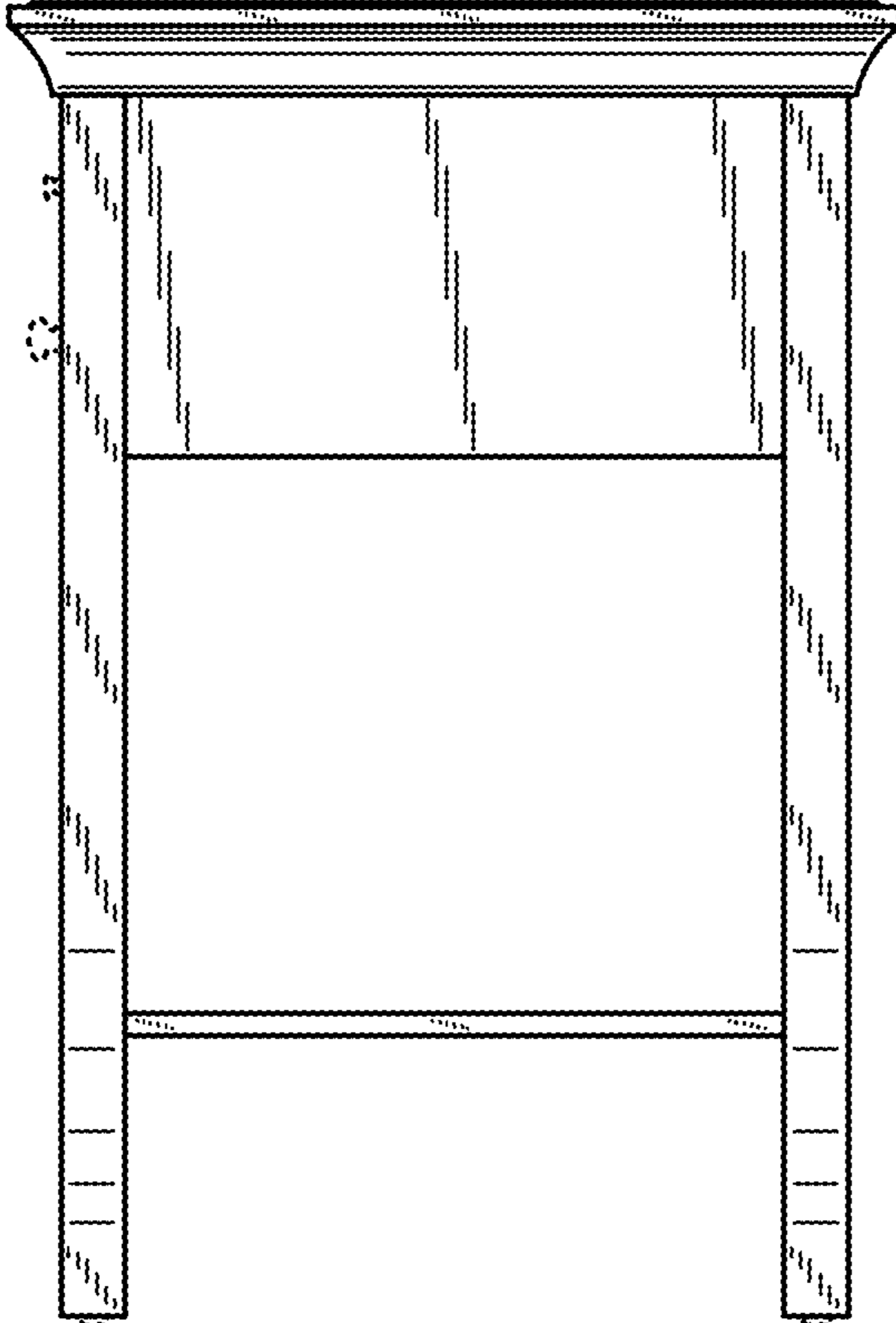


Fig. 5

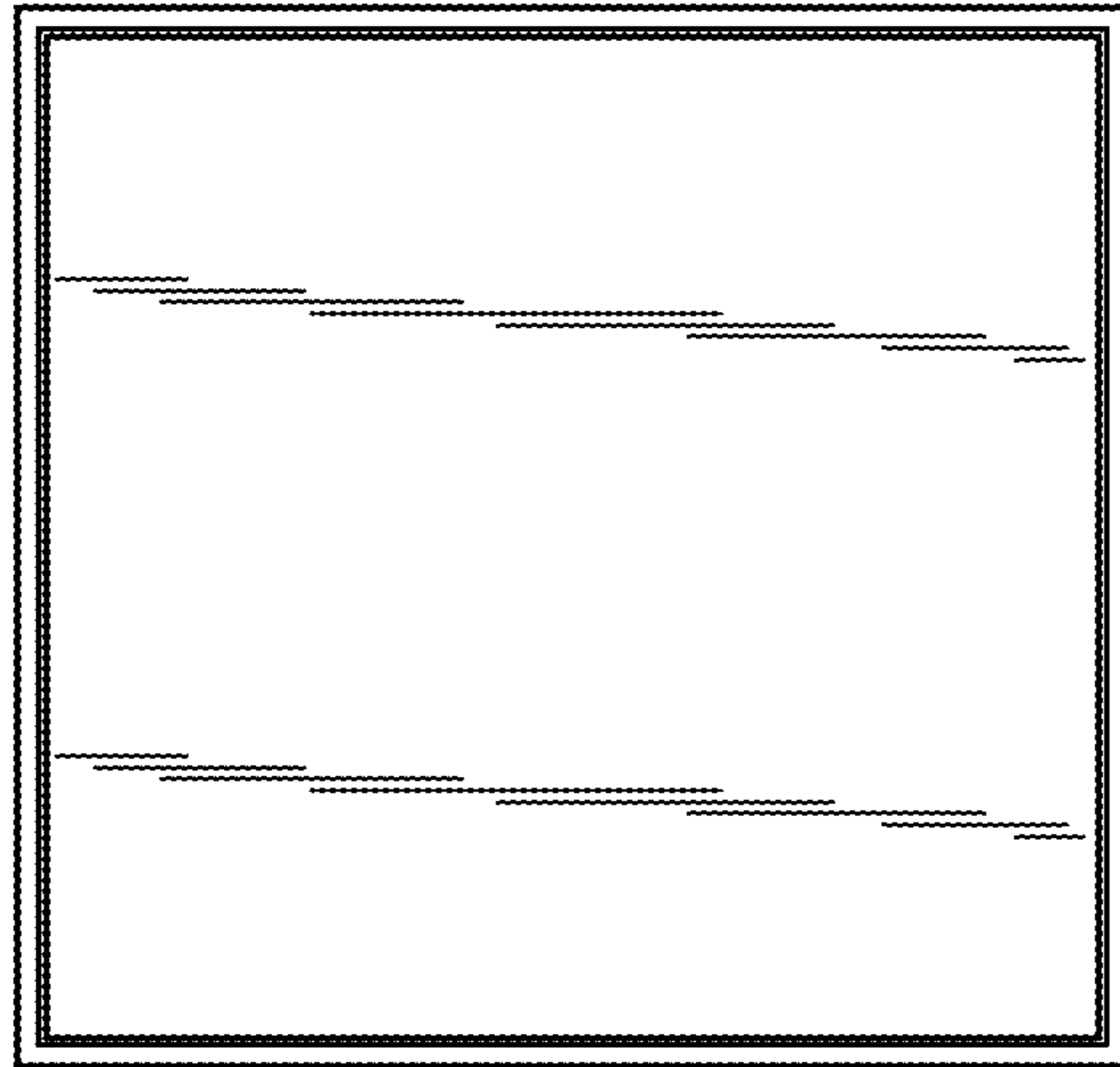


Fig. 6

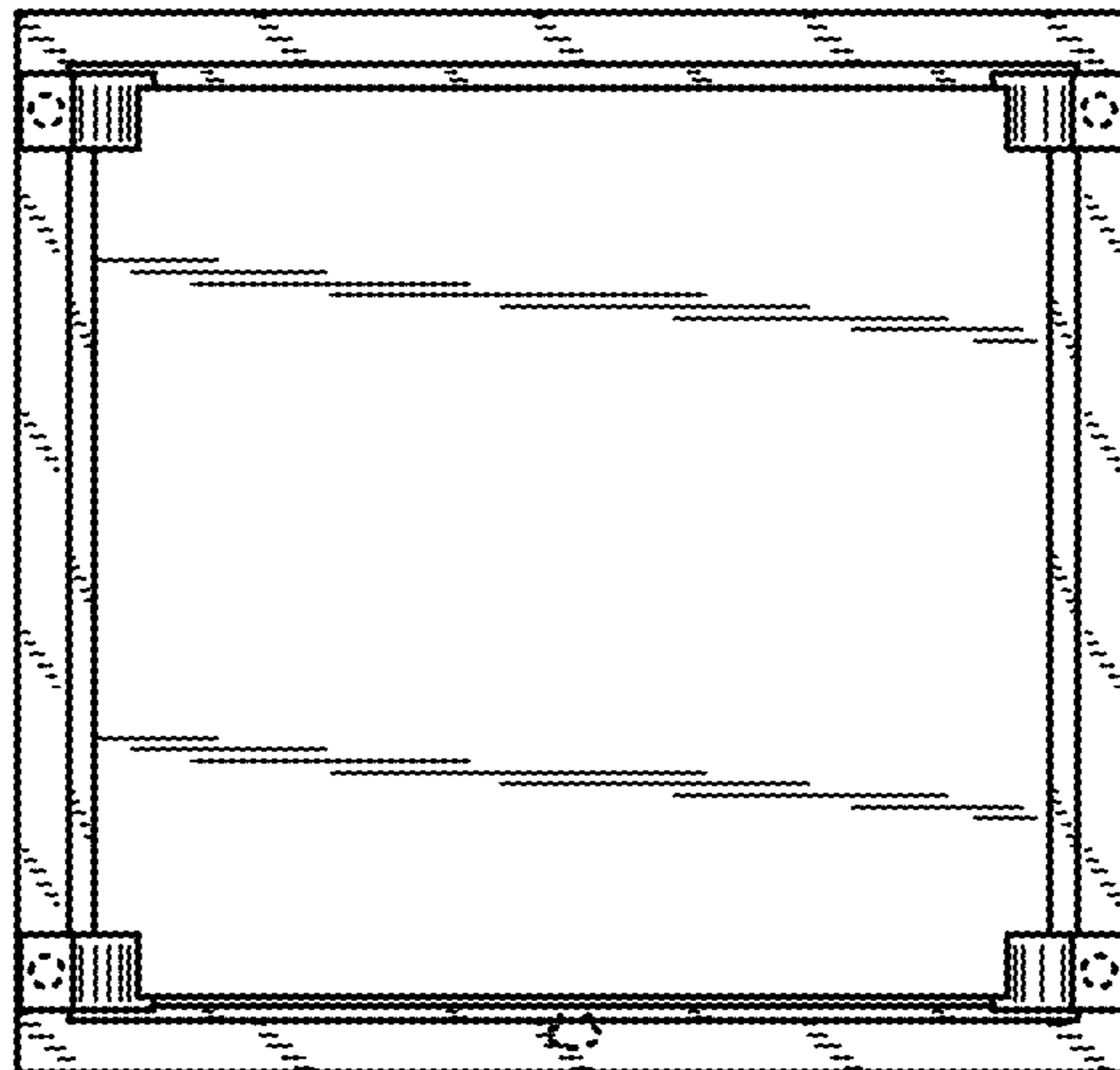


Fig. 7