



US00D721907S

(12) **United States Design Patent**
Boll-Wilson et al.

(10) **Patent No.:** **US D721,907 S**
(45) **Date of Patent:** **** Feb. 3, 2015**

(54) **TABLE**

- (71) Applicant: **Target Brands, Inc.**, Minneapolis, MN (US)
- (72) Inventors: **Amy M. Boll-Wilson**, Eagan, MN (US);
Daiying Huang, Medina, MN (US)
- (73) Assignee: **Target Brands, Inc.**, Minneapolis, MN (US)
- (**) Term: **14 Years**
- (21) Appl. No.: **29/456,934**
- (22) Filed: **Jun. 5, 2013**
- (51) **LOC (10) Cl.** **06-06**
- (52) **U.S. Cl.**
USPC **D6/691.9**
- (58) **Field of Classification Search**
CPC A47B 3/02; A47B 37/00; A47B 2003/045;
A47C 9/105
USPC D6/691, 691.8, 691.9, 663, 655, 656;
108/153.1, 156, 157.1, 161, 118;
248/188, 188.1, 164
See application file for complete search history.

(56) **References Cited**

U.S. PATENT DOCUMENTS

D142,850 S *	11/1945	Geffner	D6/397
D185,544 S	6/1959	Frey		
D188,605 S	8/1960	Lubberts et al.		
3,646,895 A *	3/1972	Campbell	108/118
D517,835 S	3/2006	O'Hare		
D546,096 S *	7/2007	Kreiss	D6/480
D546,588 S *	7/2007	Massaud	D6/480
D563,122 S *	3/2008	Kreiss et al.	D6/480
D604,064 S	11/2009	Garbin		
D688,901 S *	9/2013	Colson	D6/656

OTHER PUBLICATIONS

- Coaster® Fine Furniture, "Desks Casual 3-Drawer Desk with Criss-Cross Legs," <http://www.coasterfurniture.com/Item.aspx?ItemID=-875127593&ItemNum=800911>, at least as early as Mar. 2013, 1 page.
- Crate&Barrel, "Spotlight Ebony 48" Desk," <http://www.crateandbarrel.com/spotlight-ebony-48-desk/s235507>, at least as early as Mar. 2013, 1 page.
- World Market, "Campaign Desk," <http://www.worldmarket.com/product/campaign-desk.do>, at least as early as Mar. 2013, 1 page.
- Mom.me, "Black Campaign Desk," <http://mom.me/home/decorating/3618-11-desks-to-fit-your-study-style/item/19248-02/>, at least as early as Mar. 2013, 1 page.
- Clayton Gray Home, "Flint 3 Drawer Iron Campaign Desk," <http://www.claytongrayhome.com/item/Flint-3-Drawer-Iron-Campaign-Desk/1869>, at least as early as Mar. 2013, 1 page.

(Continued)

Primary Examiner — Janice Seeger

(74) Attorney, Agent, or Firm — Leanne Taveggia Farrell; Westman, Champlin & Koehler, P.A.

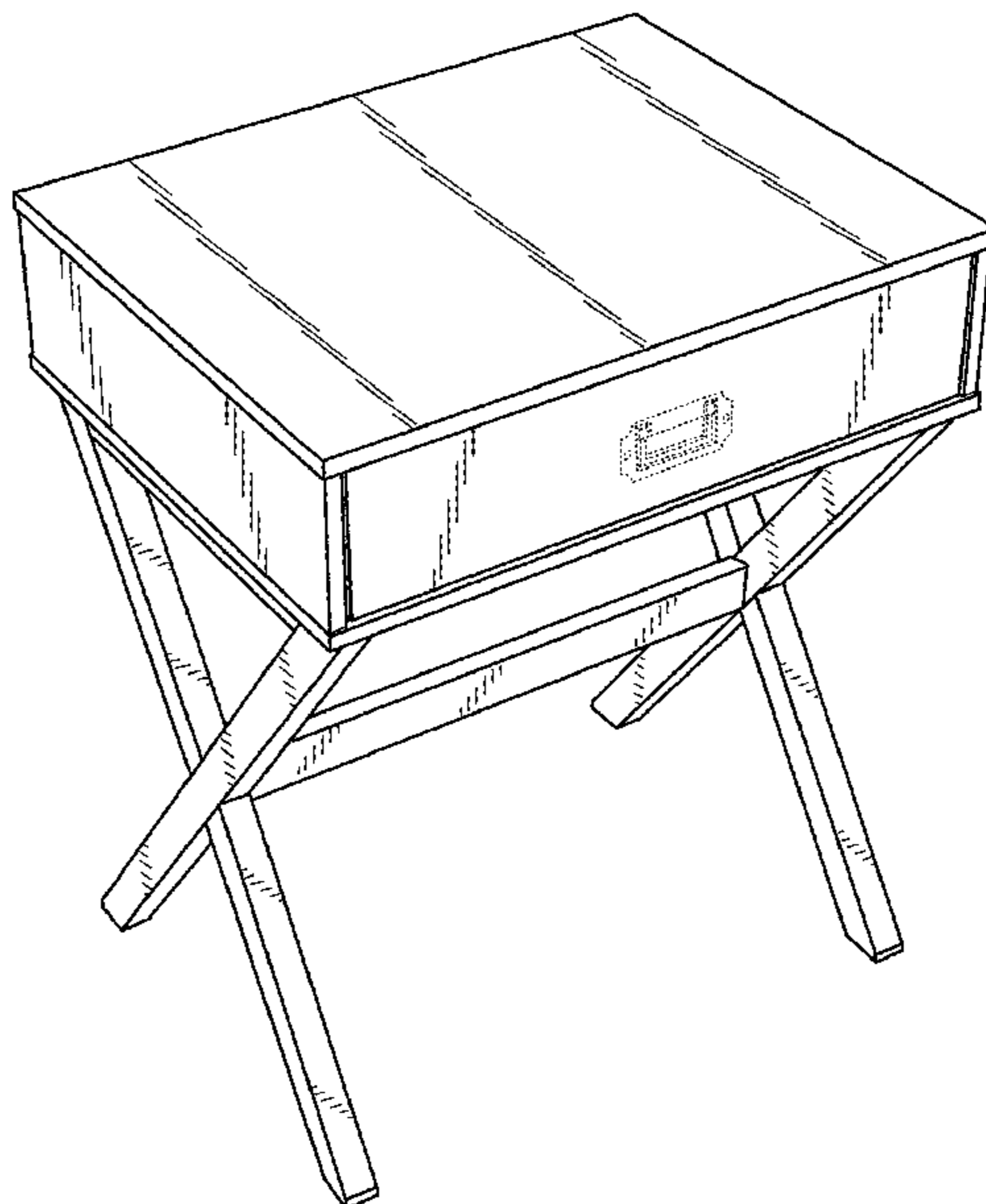
(57) **CLAIM**

The ornamental design for a table, as shown and described.

DESCRIPTION

FIG. 1 is a perspective view of a table showing our new design;
 FIG. 2 is a front view thereof;
 FIG. 3 is a back view thereof;
 FIG. 4 is a left side view thereof;
 FIG. 5 is a right side view thereof;
 FIG. 6 is a top view thereof; and,
 FIG. 7 is a bottom view thereof.
 The broken lines are for environmental purposes only and form no part of the claimed design.

1 Claim, 4 Drawing Sheets



(56)

References Cited

OTHER PUBLICATIONS

Pottery Barn, “Devon Campaign Bedside Table,” http://www.potterybarn.com/products/devon-campaign-bedside-table/?pkey=cnightstands-bedside-tables&cm_src=nightstands-bedside-tables||NoFacet-_-NoFacet-_-_-, at least as early as Mar. 2013, 1 page.

Occa-Home, “Authentic Models Bombay Box—Honey,” <http://www.occa-home.co.uk/living/side-tables/authentic-models-bombay-box-honey/>, at least as early as Mar. 2013, 1 page.

Overstock.com, “Napa Black 1-drawer Bedside Table,” <http://www.overstock.com/Home-Garden/Napa-Black-1-drawer-Bedside-Table/5701025/product.html>, at least as early as Mar. 2013, 1 page.

* cited by examiner



FIG. 1

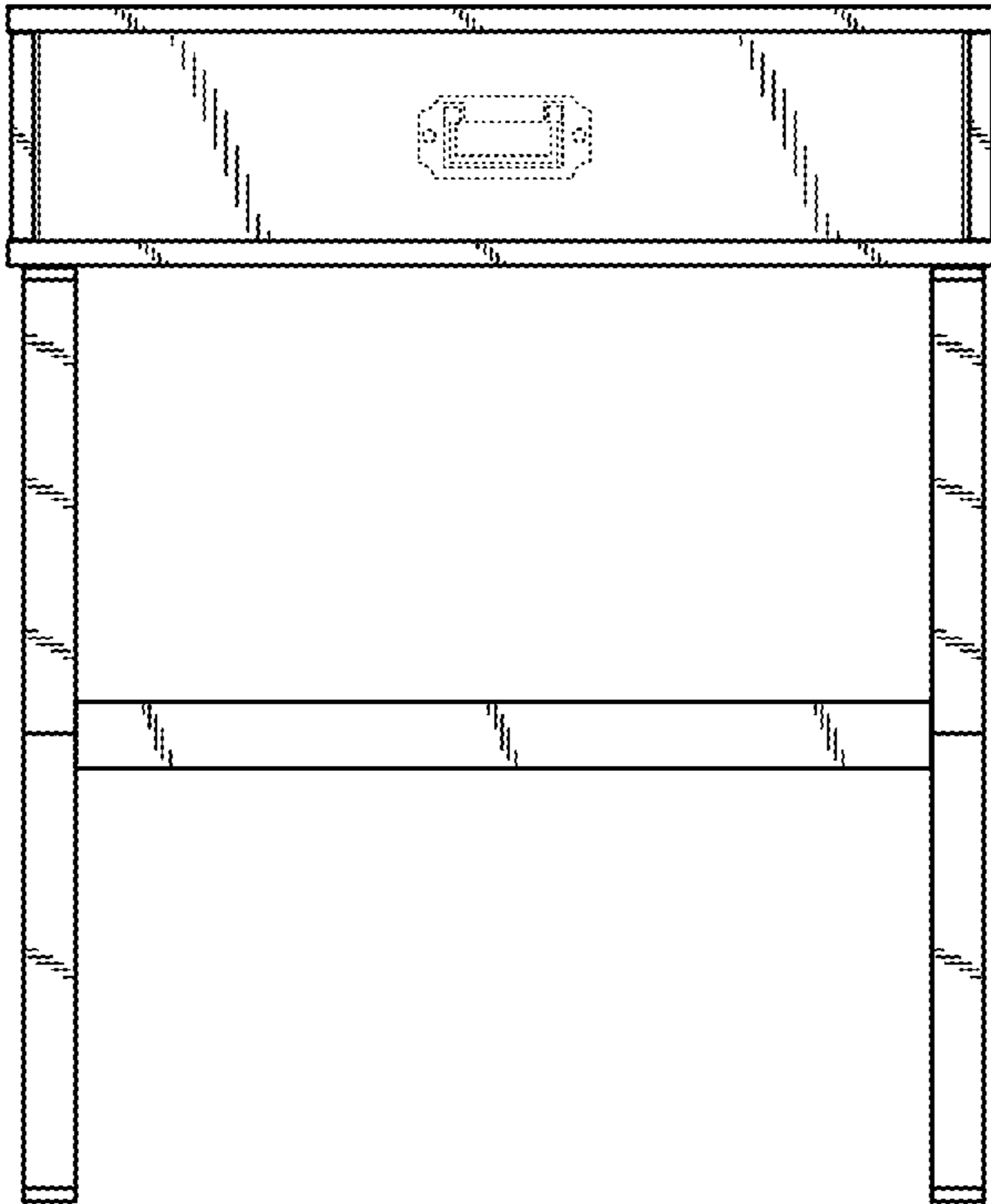


FIG. 2

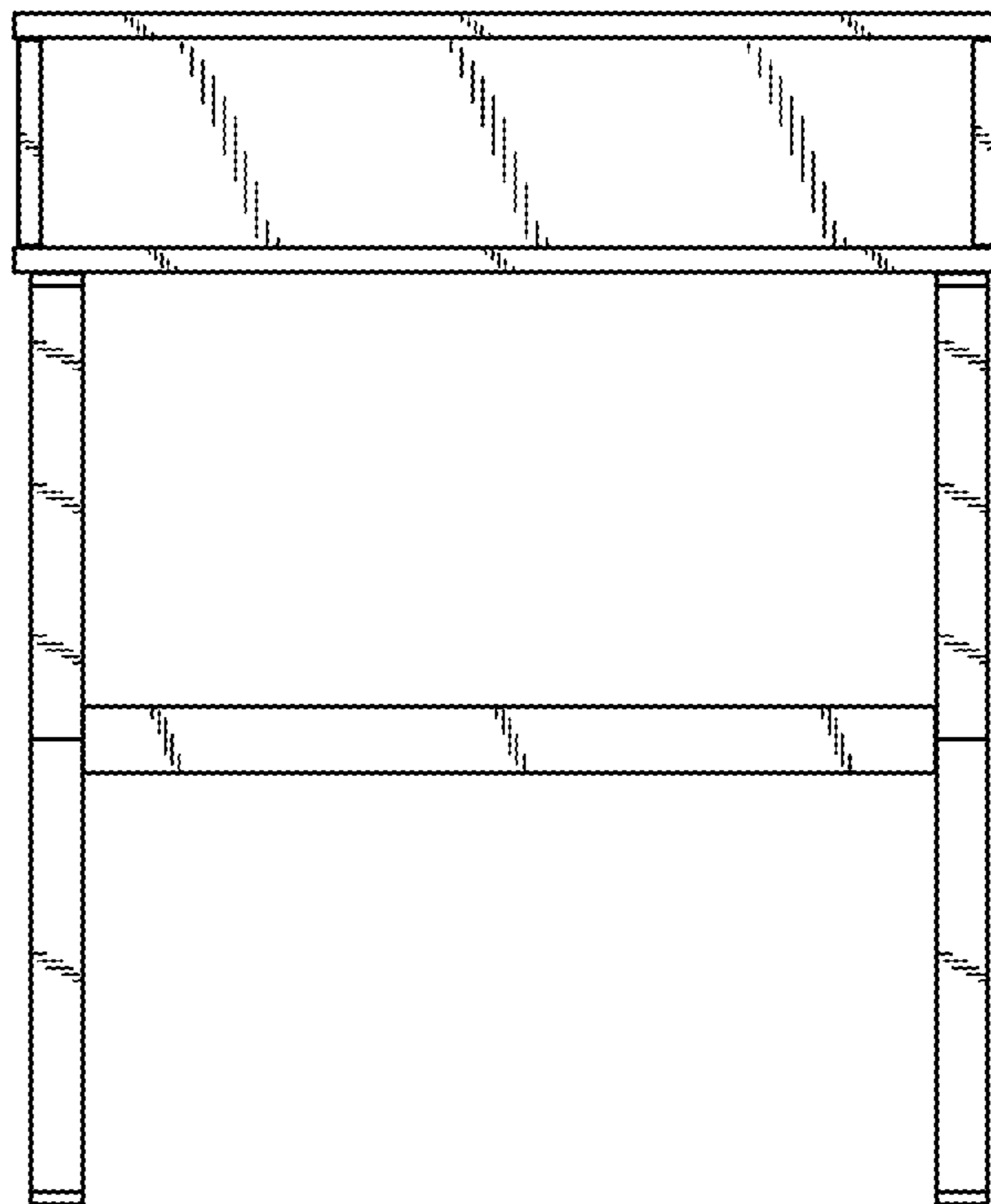


FIG. 3

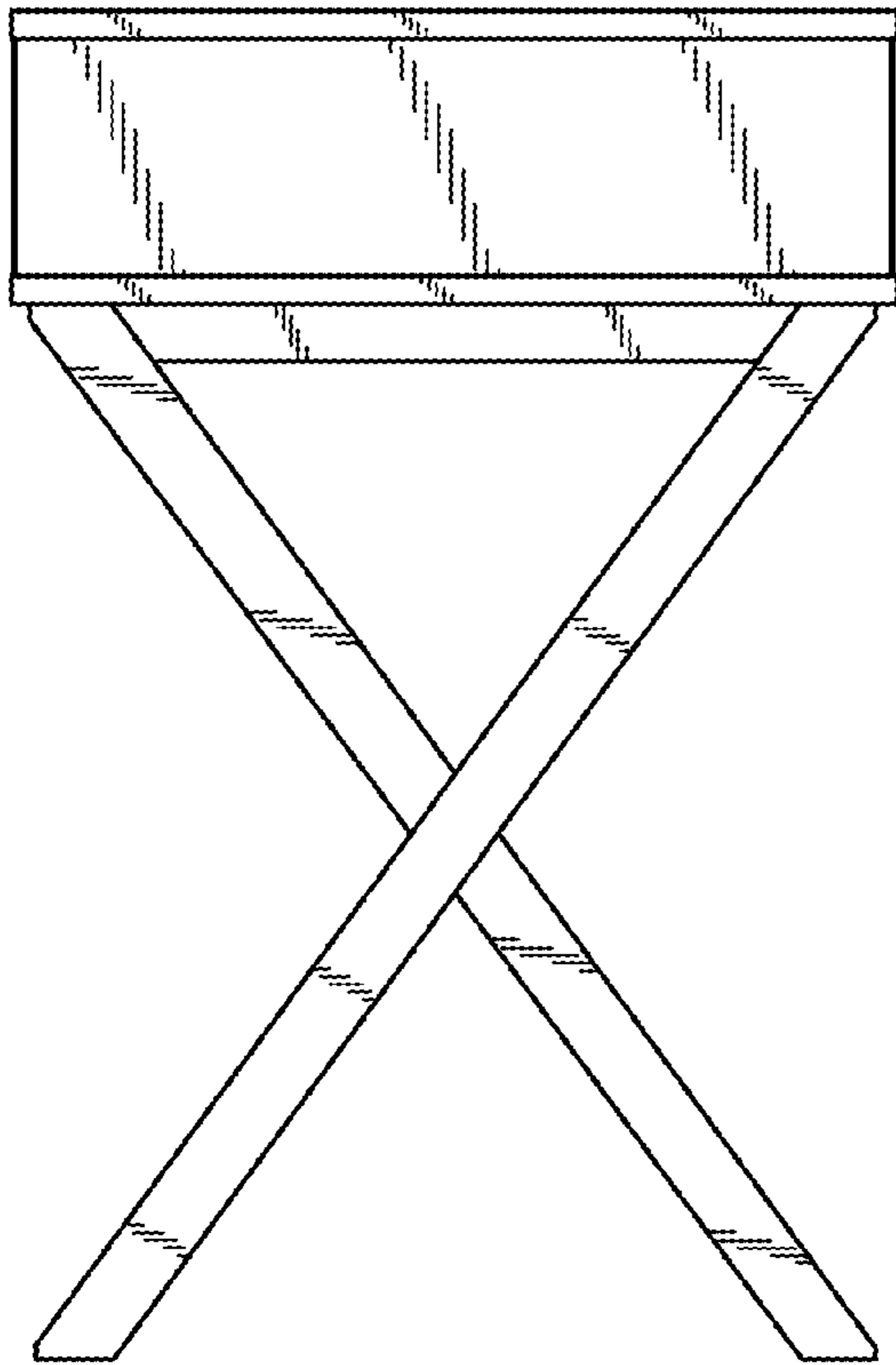


FIG. 4

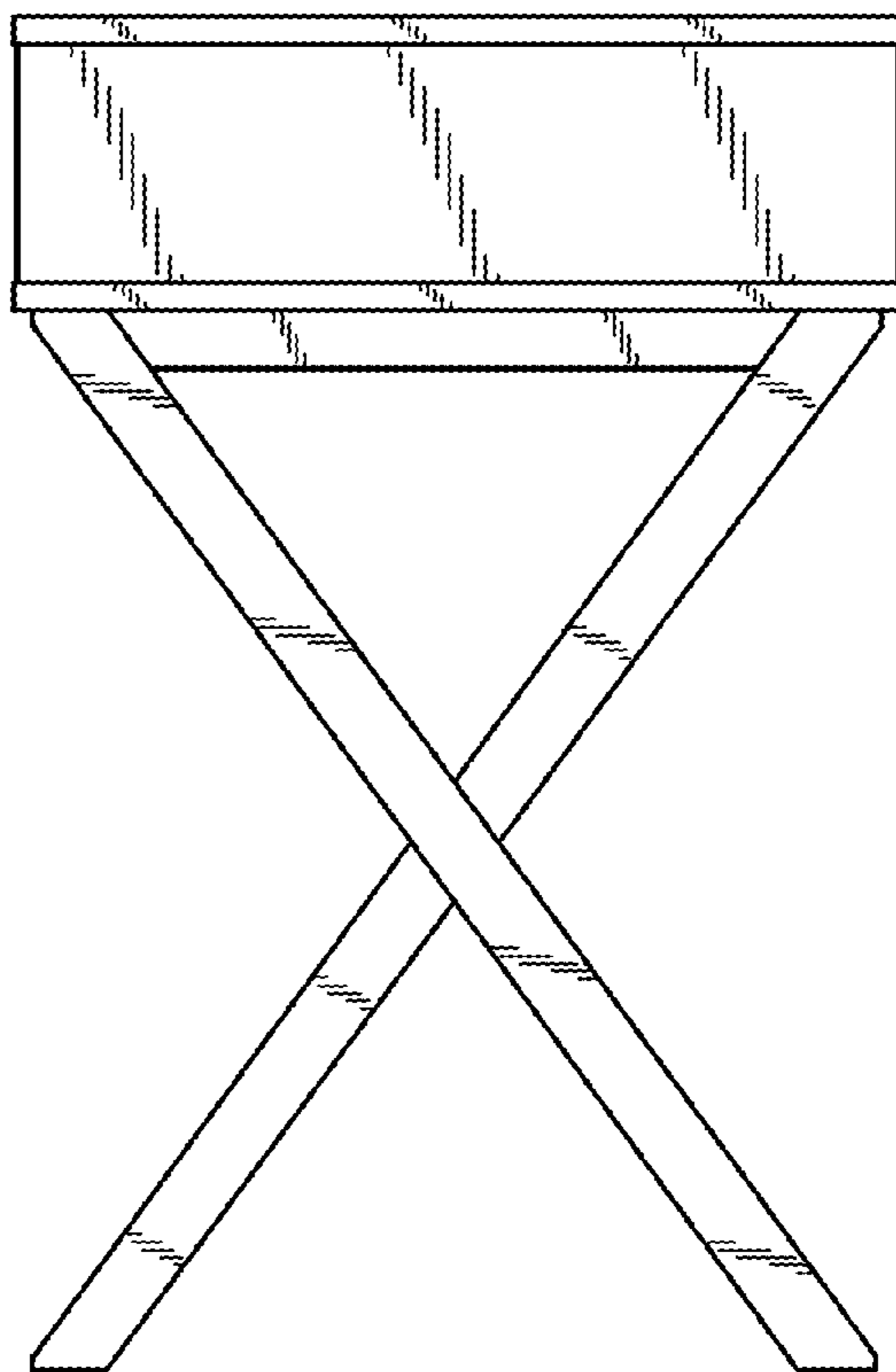


FIG. 5

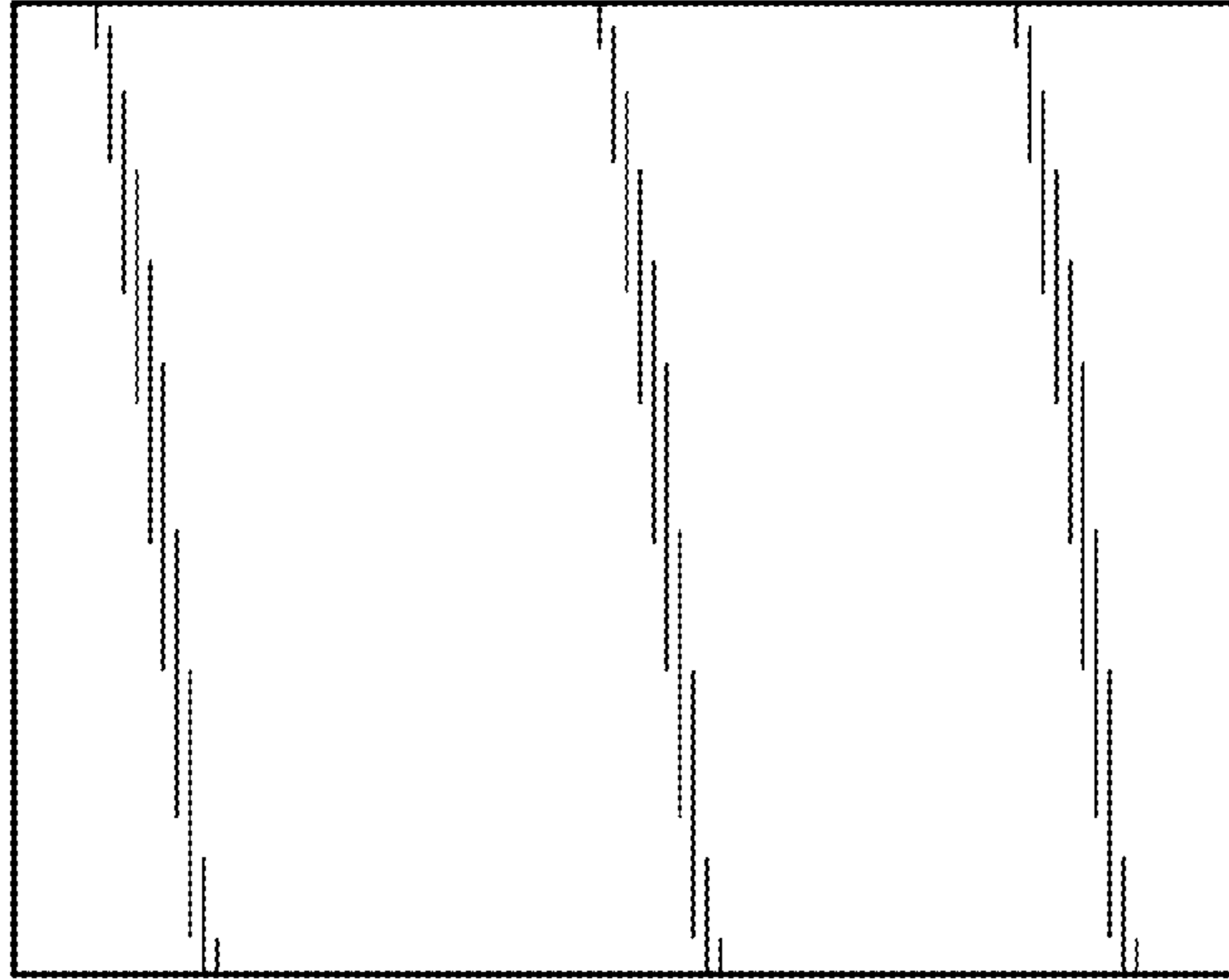


FIG. 6

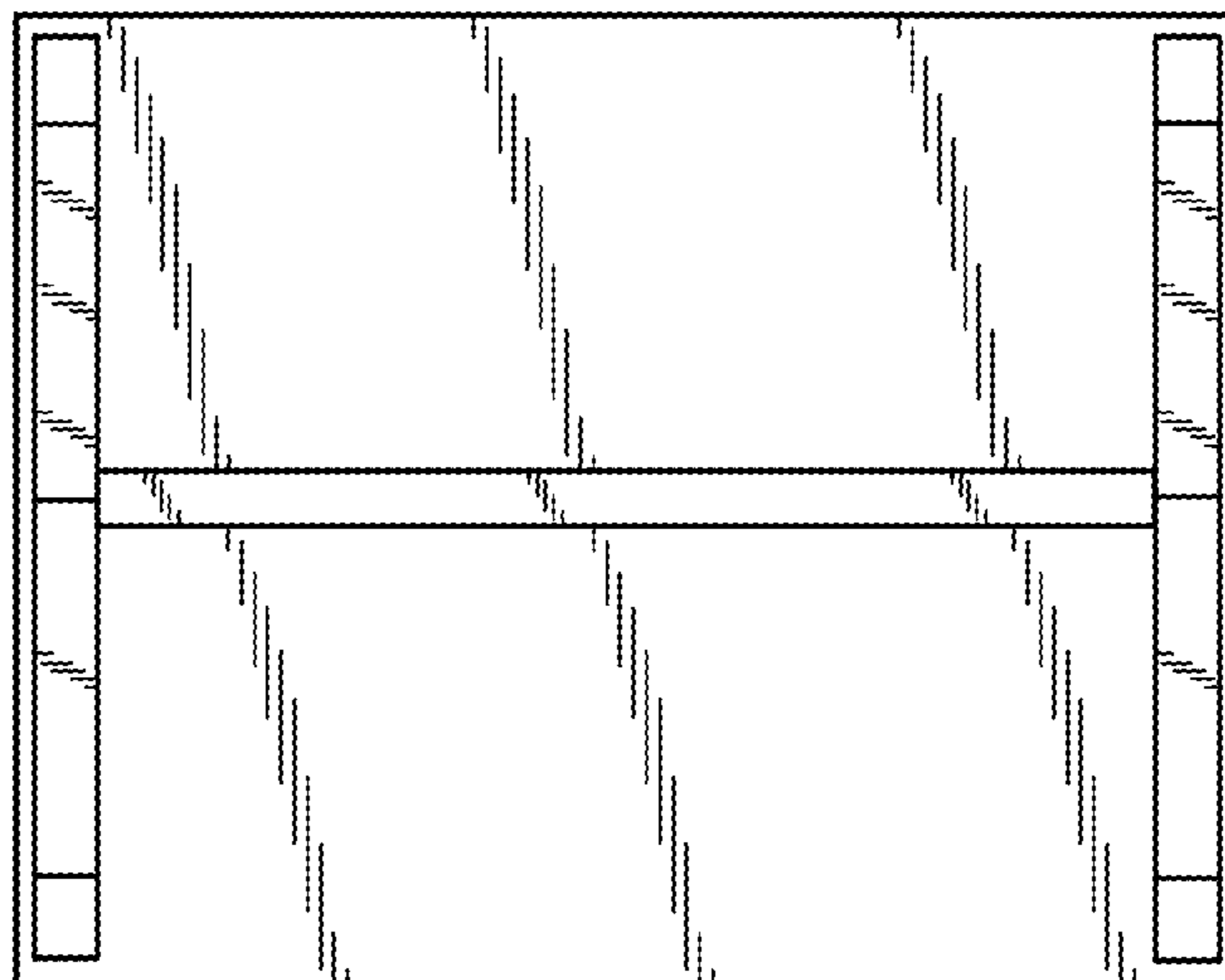


FIG. 7